



US00D417329S

United States Patent [19]
Ramadei

[11] **Patent Number: Des. 417,329**

[45] **Date of Patent: ** Nov. 30, 1999**

[54] **MEDITATION DEVICE**

[75] Inventor: **Richard Ramadei**, 454 Blohm St.,
West Haven, Conn. 06516

[73] Assignee: **Richard Ramadei**, West Haven, Conn.

[**] Term: **14 Years**

[21] Appl. No.: **29/086,240**

[22] Filed: **Apr. 7, 1998**

[51] **LOC (6) Cl.** **99-00**

[52] **U.S. Cl.** **D99/25; D99/99**

[58] **Field of Search** D99/25, 99; D11/1,
D11/122, 130, 131, 157, 125, 141; D21/336,
309; D6/303, 316; 116/63 P; 434/83; 52/655.1;
248/165, 163.2

[56] **References Cited**

U.S. PATENT DOCUMENTS

D. 84,162	5/1931	Rig et al.	D99/25
D. 142,300	8/1945	Gallik	D99/25
D. 261,373	10/1981	Fisher	D11/131
D. 351,623	10/1994	Seiler	D21/336
560,899	5/1896	Fraze	248/165
3,800,735	4/1974	Simpson	116/63 P
4,259,790	4/1981	Borisof	434/83
4,848,263	7/1989	Gramm	116/63 P

Attorney, Agent, or Firm—DeLio & Peterson, LLC; Peter W. Peterson; Robert Curcio

[57] **CLAIM**

The ornamental design for a meditation device, as shown and described.

DESCRIPTION

FIG. 1 is a perspective view of a meditation device showing my new design, a portion is drawn broken away for clarity of illustration;

FIG. 2 is a front elevational view thereof;

FIG. 3 is a right side elevational view thereof;

FIG. 4 is a left side elevational view thereof;

FIG. 5 is a rear elevational view thereof;

FIG. 6 is a top plan view thereof;

FIG. 7 is a bottom plan view thereof;

FIG. 8 is a perspective view of a second embodiment of a meditation device showing my new design, a portion is drawn broken away for clarity of illustration;

FIG. 9 is a front elevational view thereof;

FIG. 10 is an enlarged third embodiment of a portion of a meditation device showing my new design, the portions not shown are the same as the embodiment of FIG. 8;

FIG. 11 is a right side elevational view thereof;

FIG. 12 is a left side elevational view thereof;

FIG. 13 is a rear elevational view thereof;

FIG. 14 is a top plan view thereof; and,

FIG. 15 is a bottom plan view thereof.

Primary Examiner—Paula A. Mortimer

1 Claim, 15 Drawing Sheets

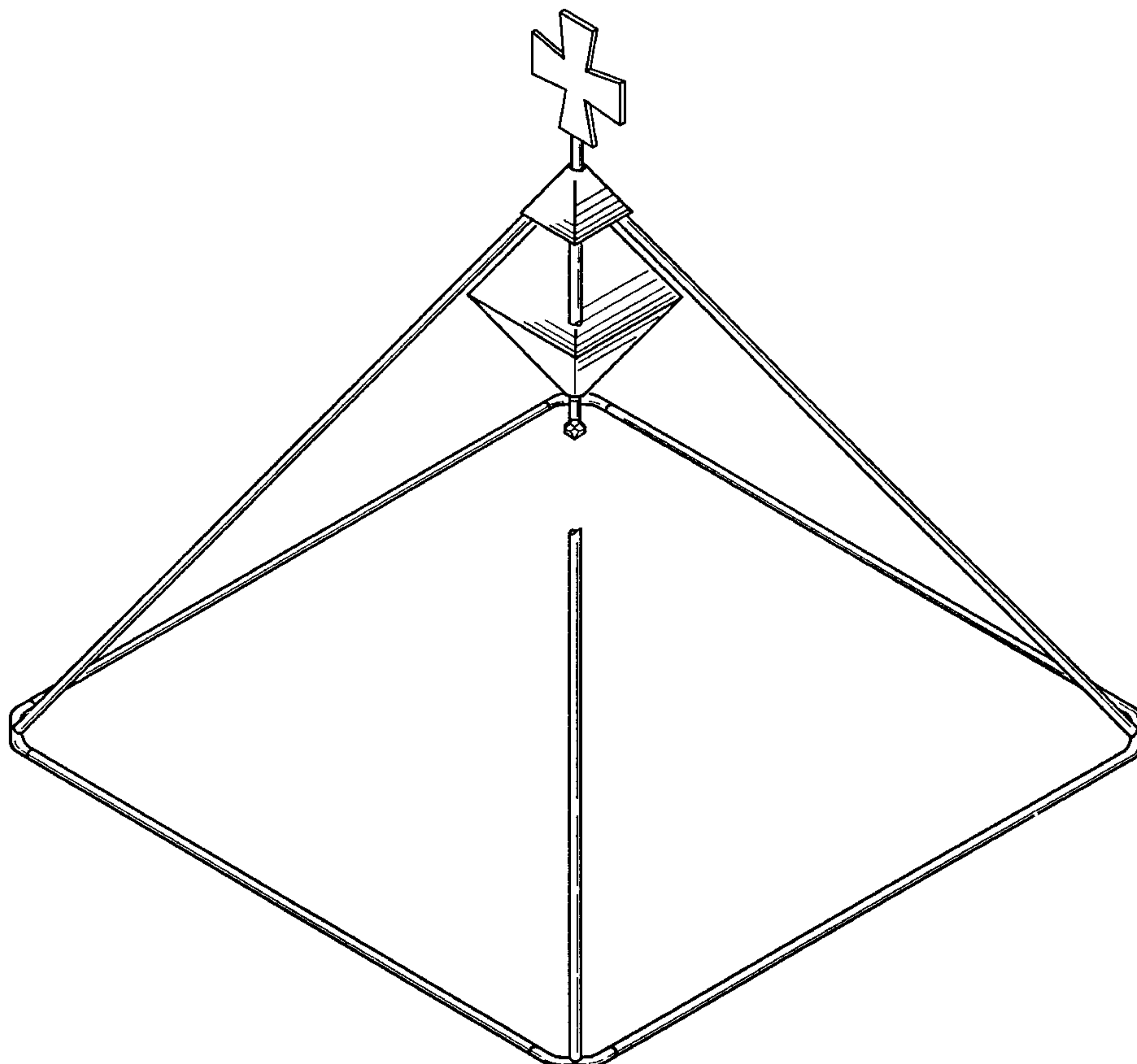


Fig. 1

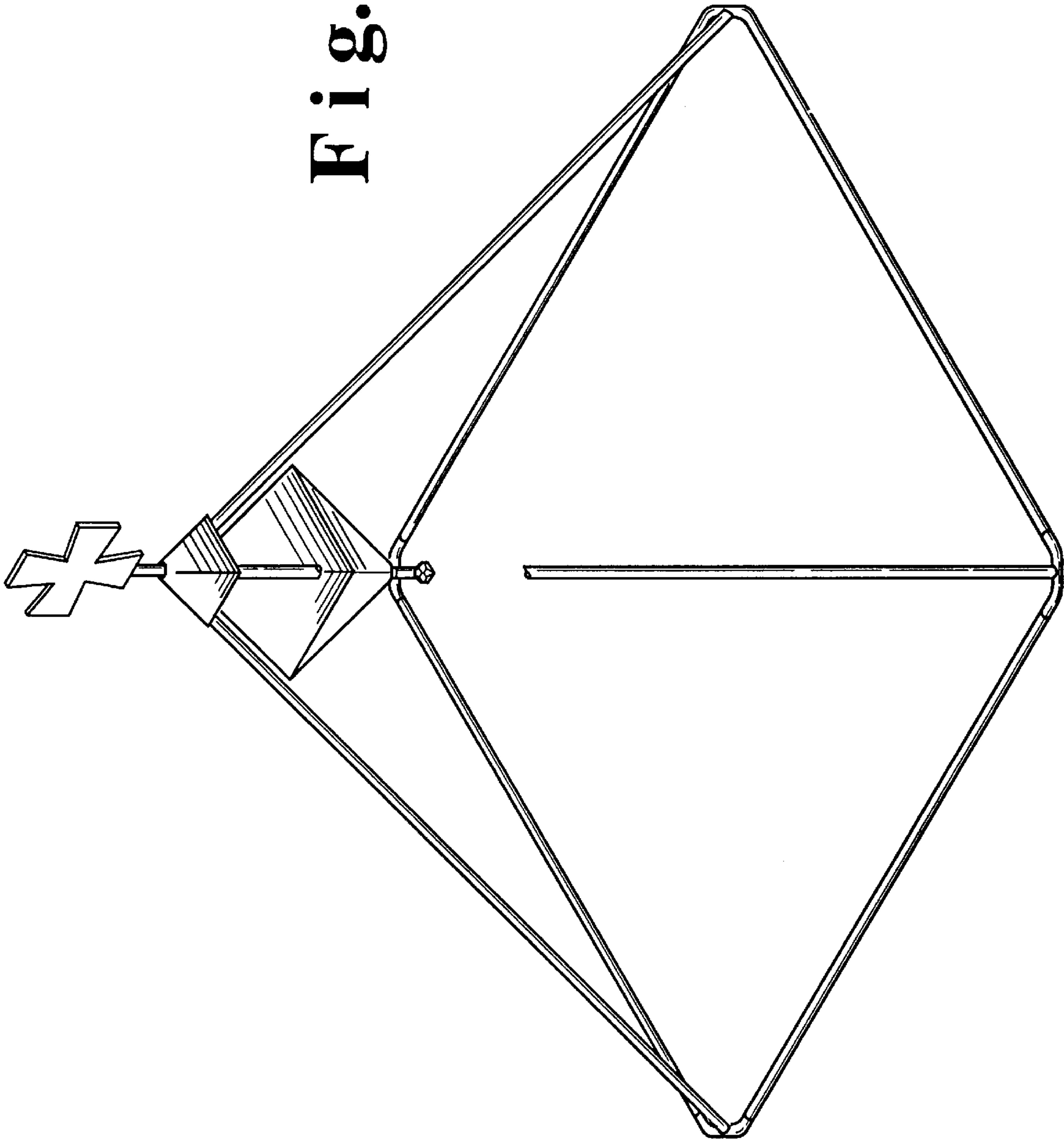


Fig. 2

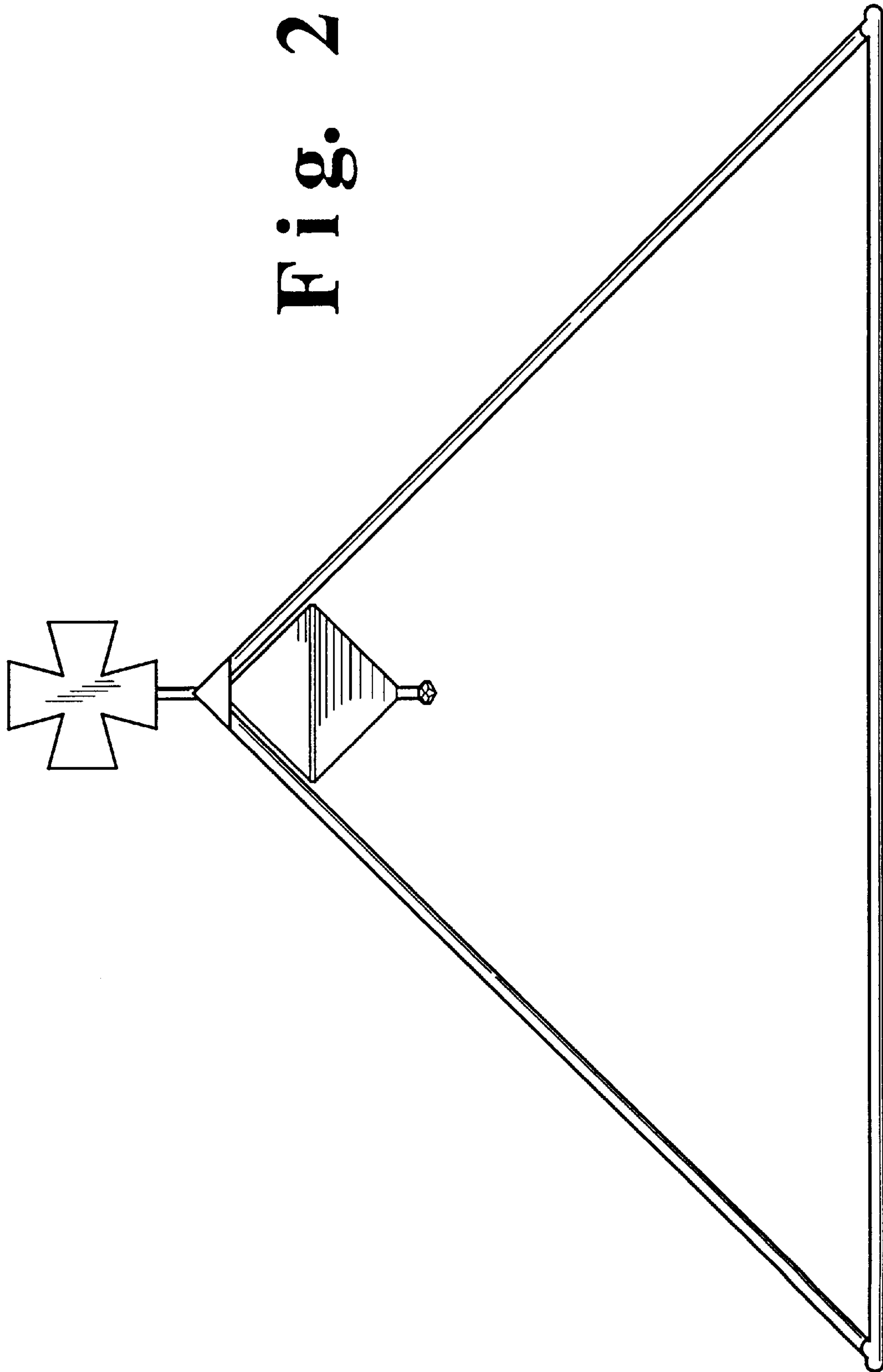
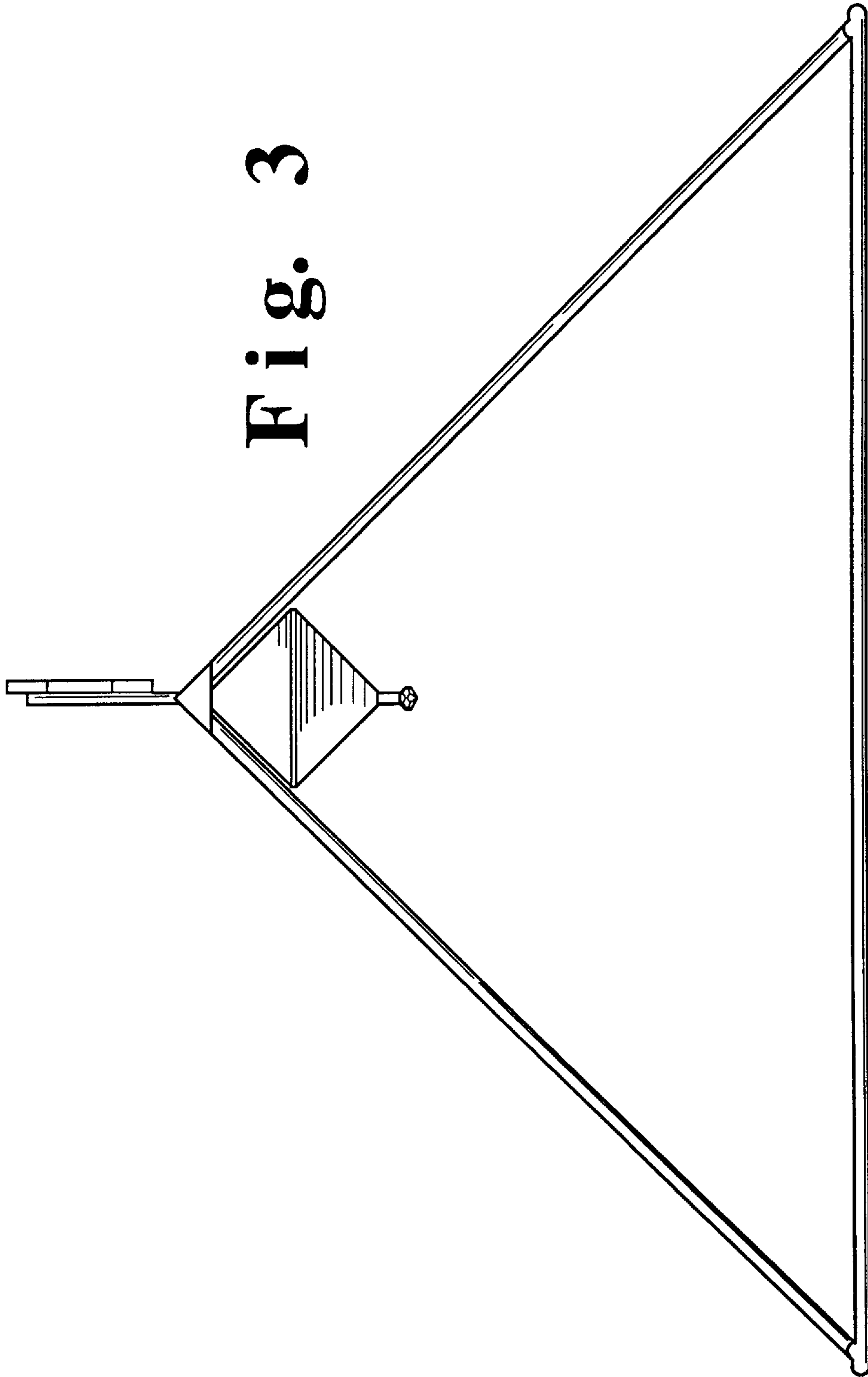


Fig. 3



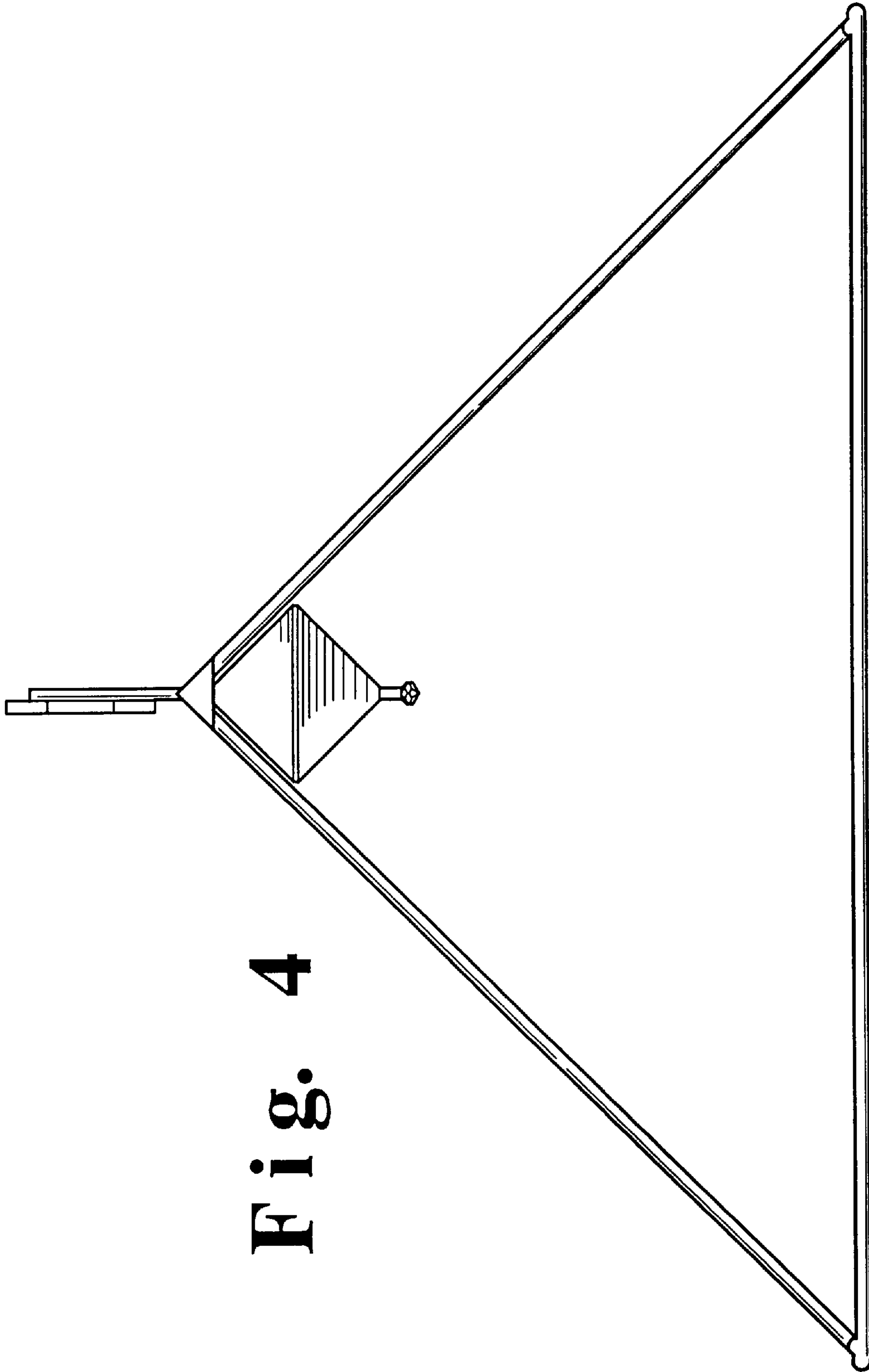
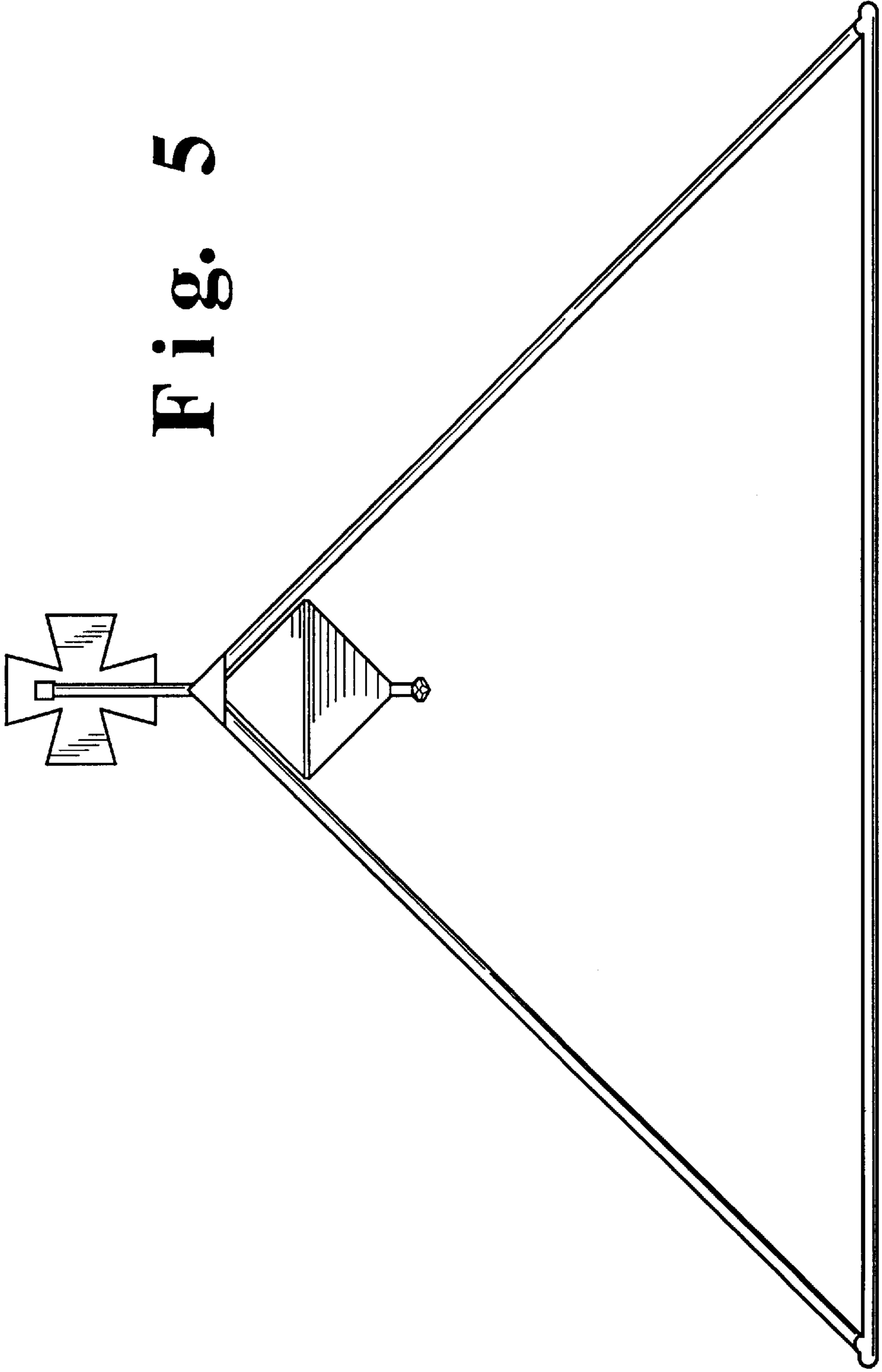


Fig. 4

Fig. 5



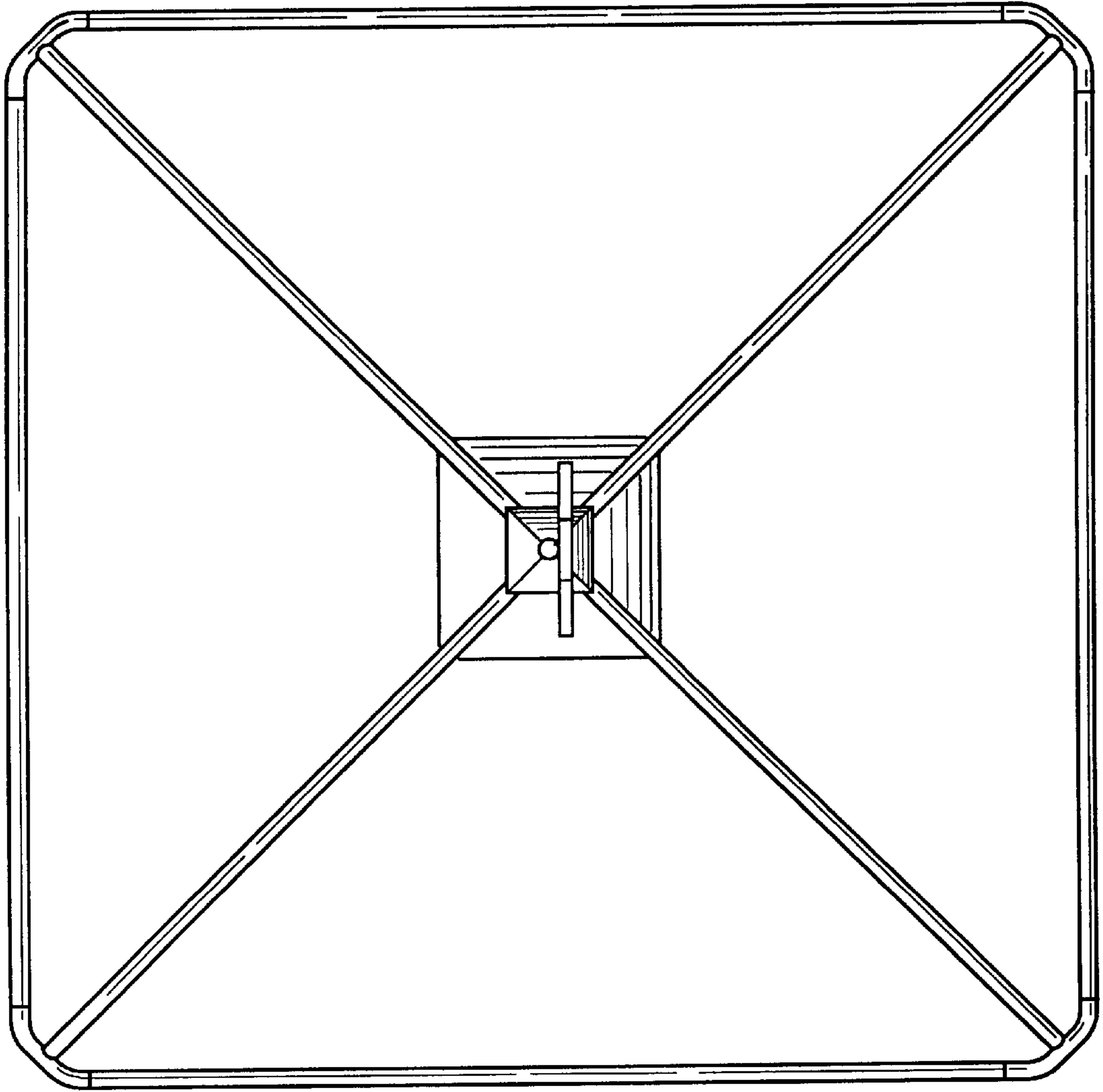


Fig. 6

Fig. 7

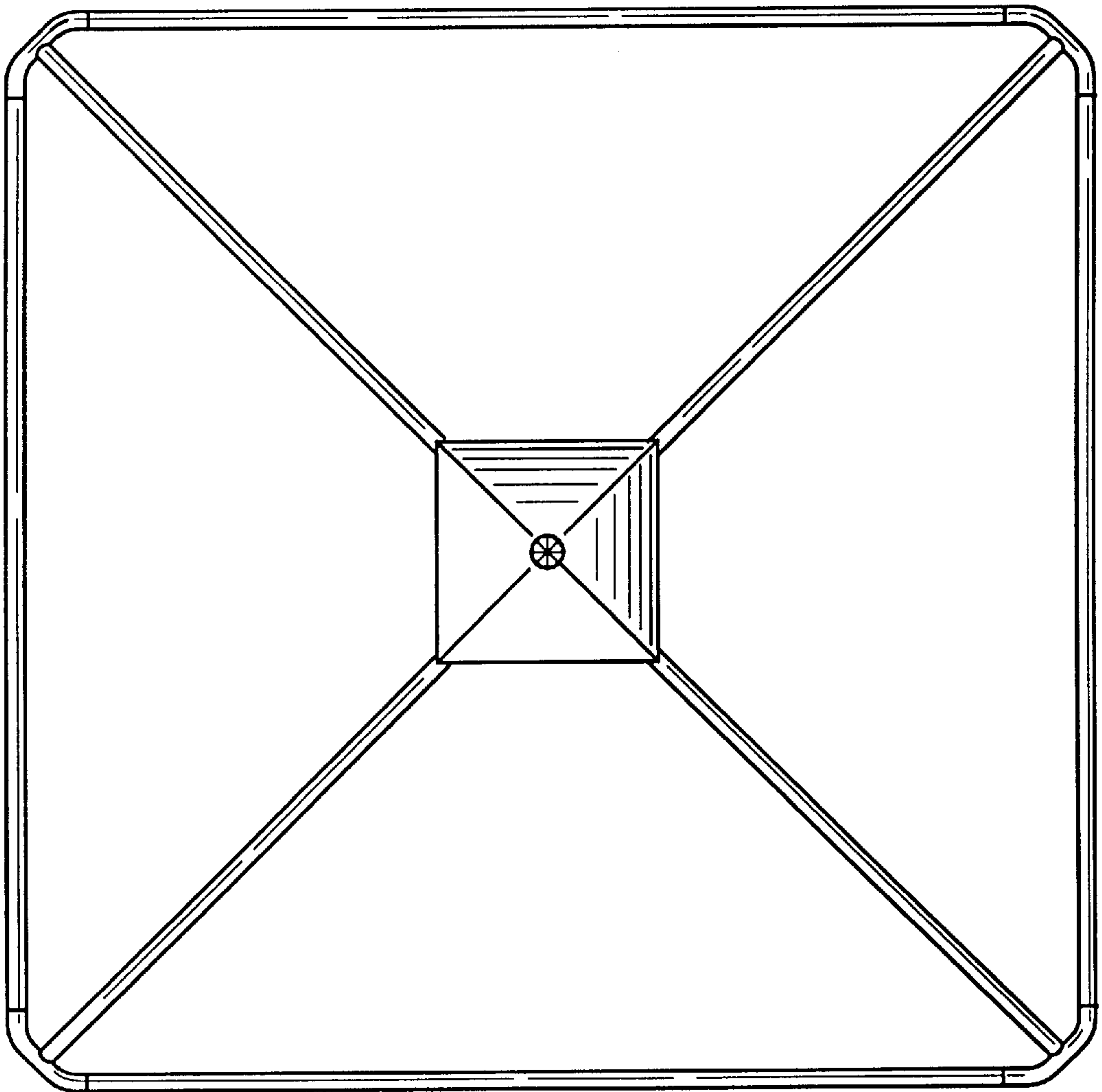


Fig. 8

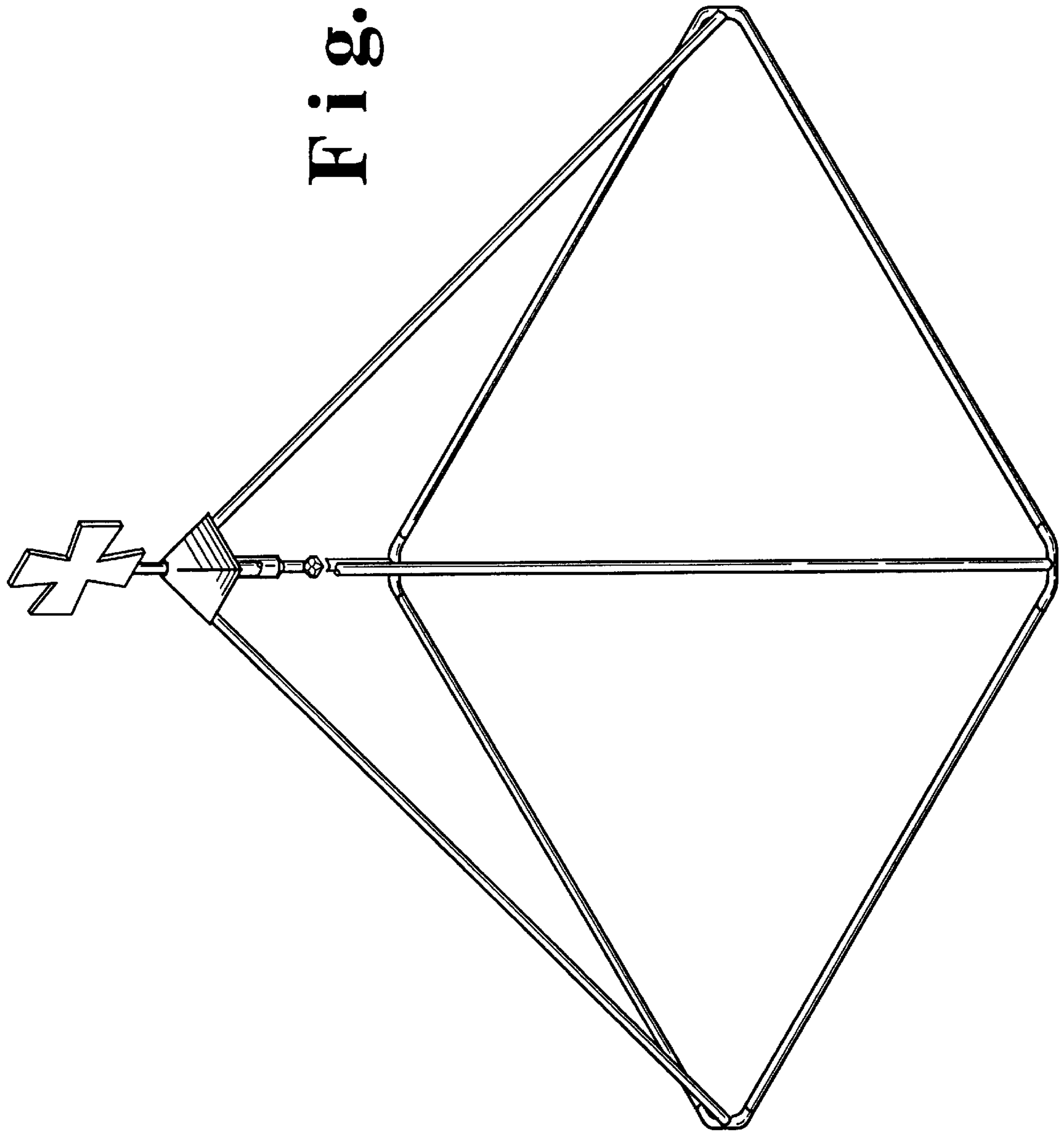


Fig. 9

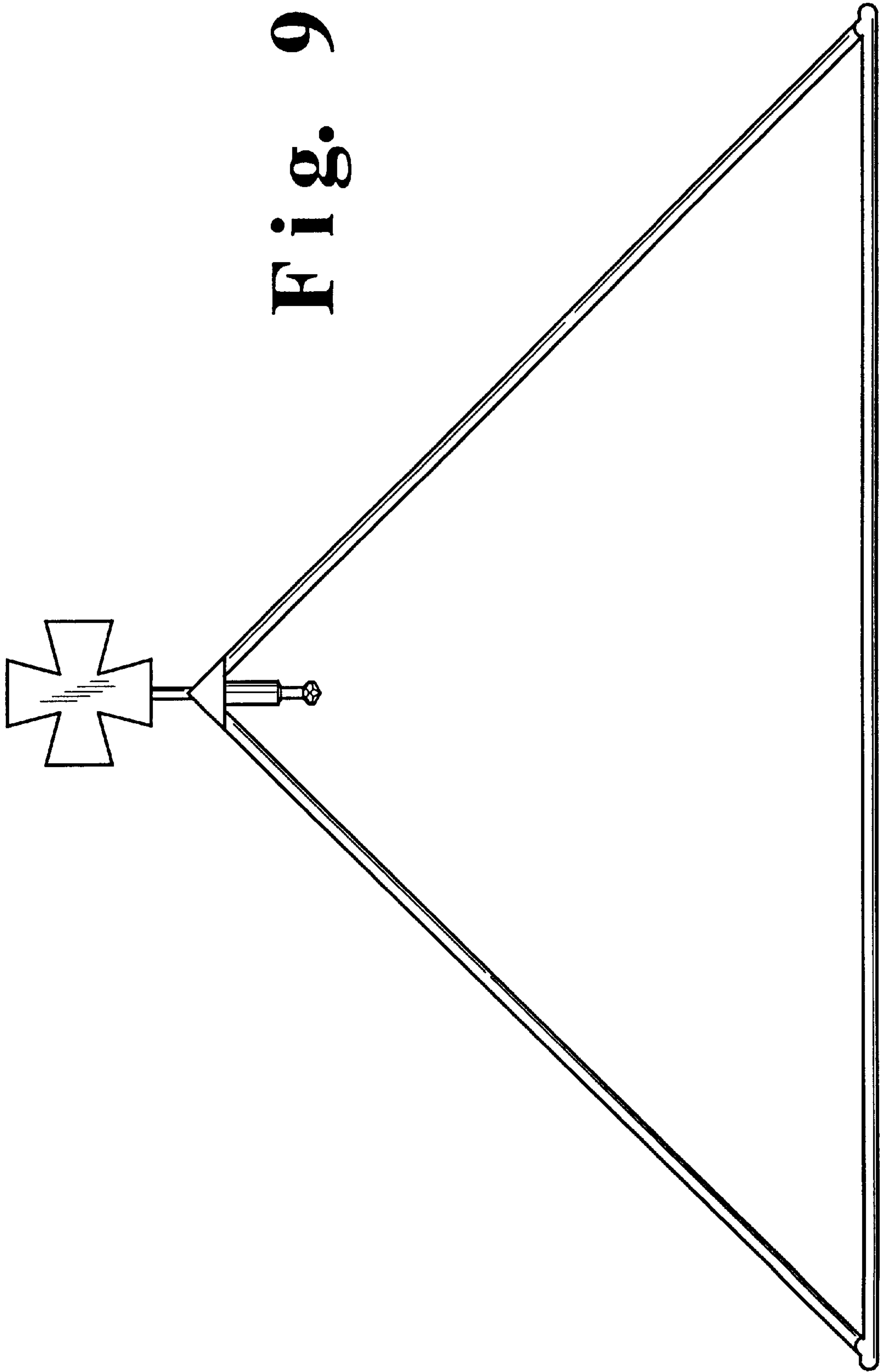
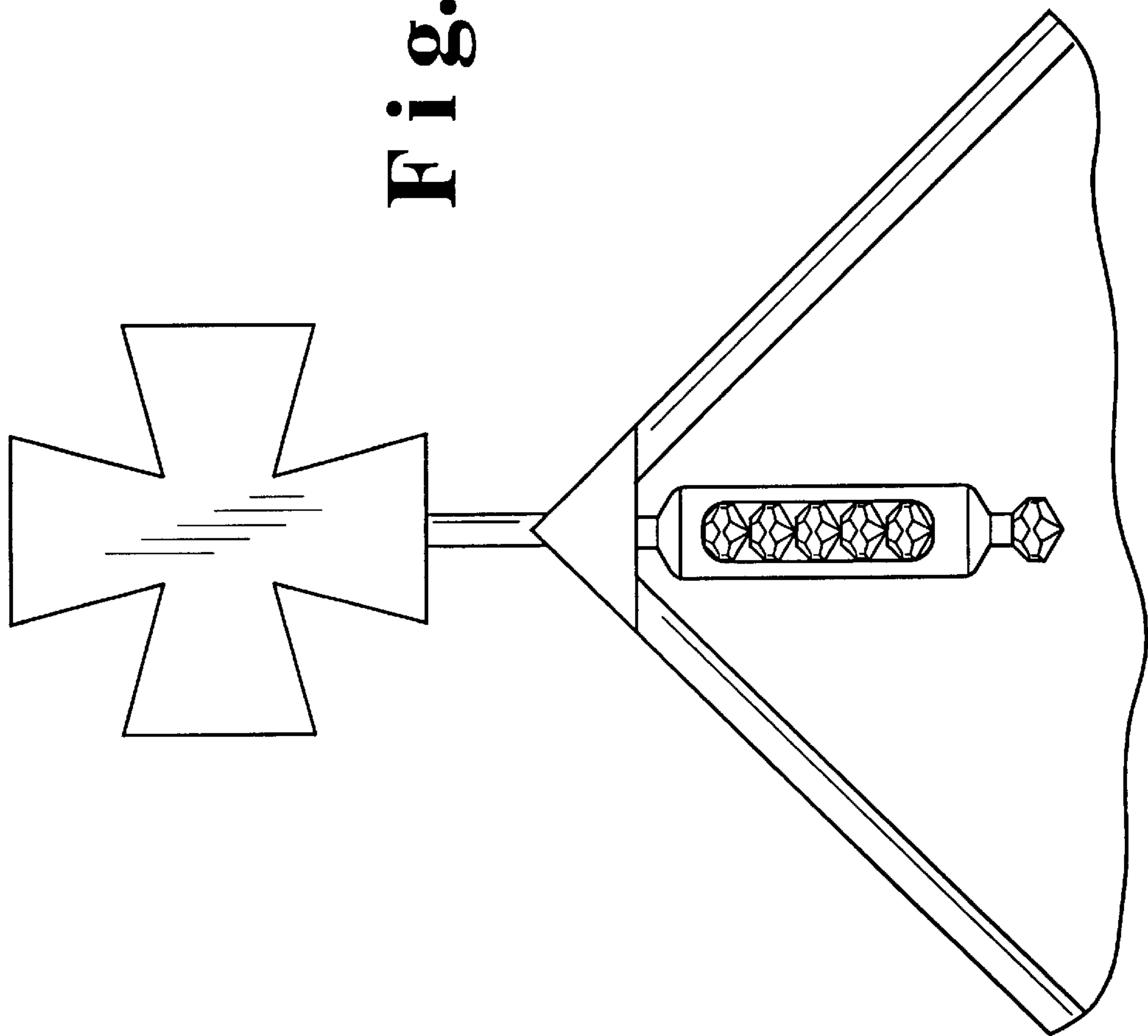


Fig. 10



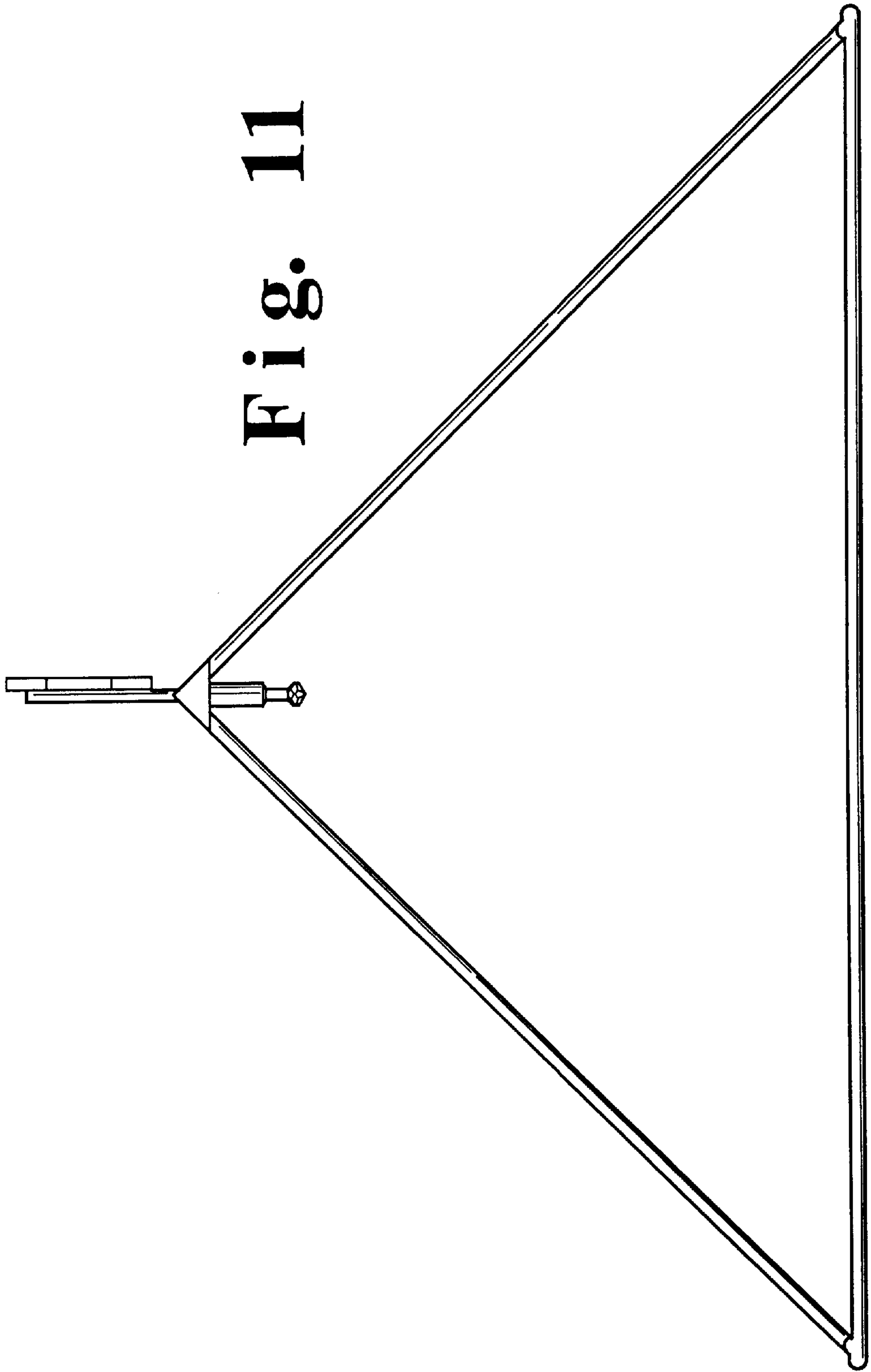


Fig. 11

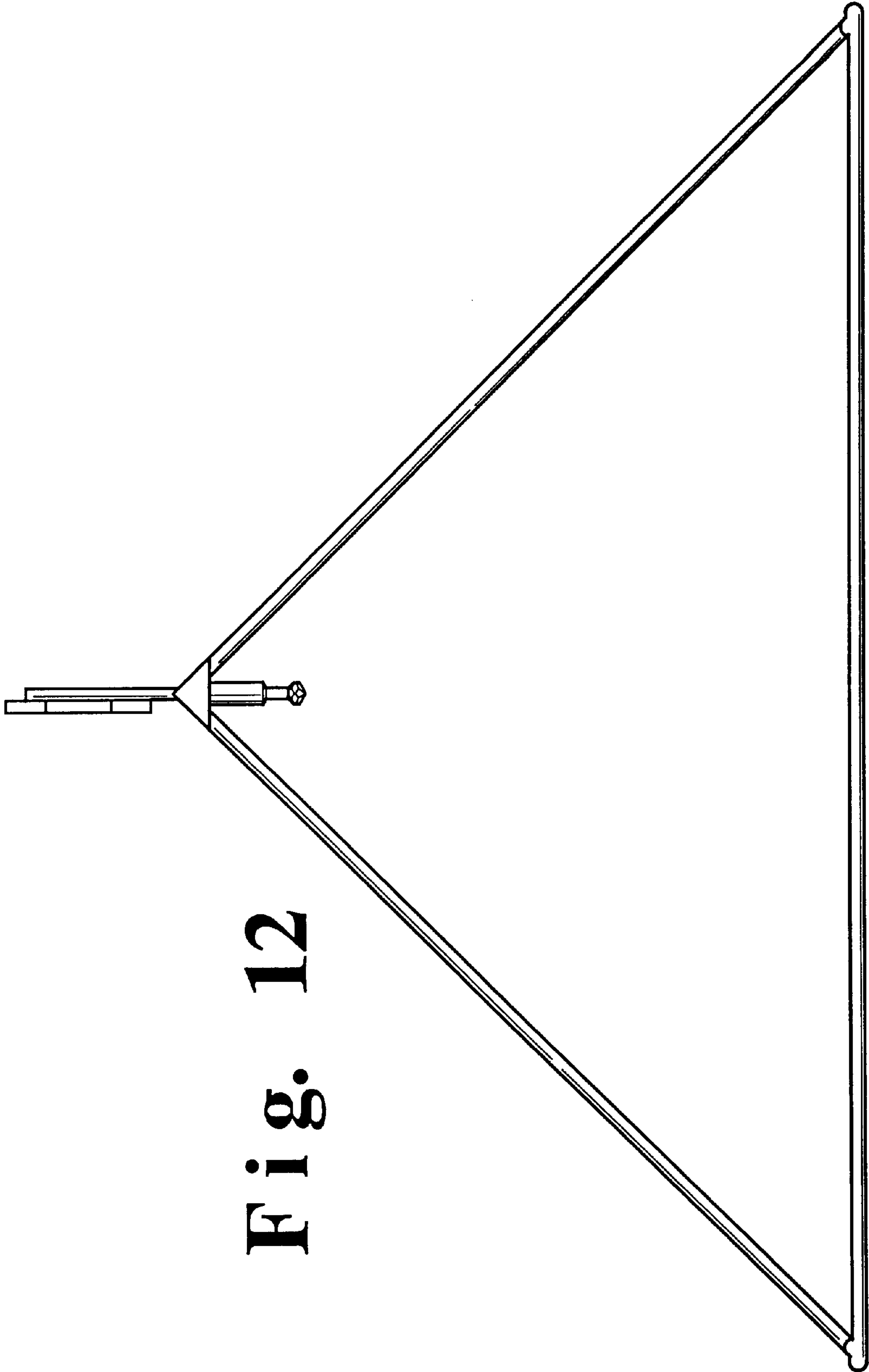
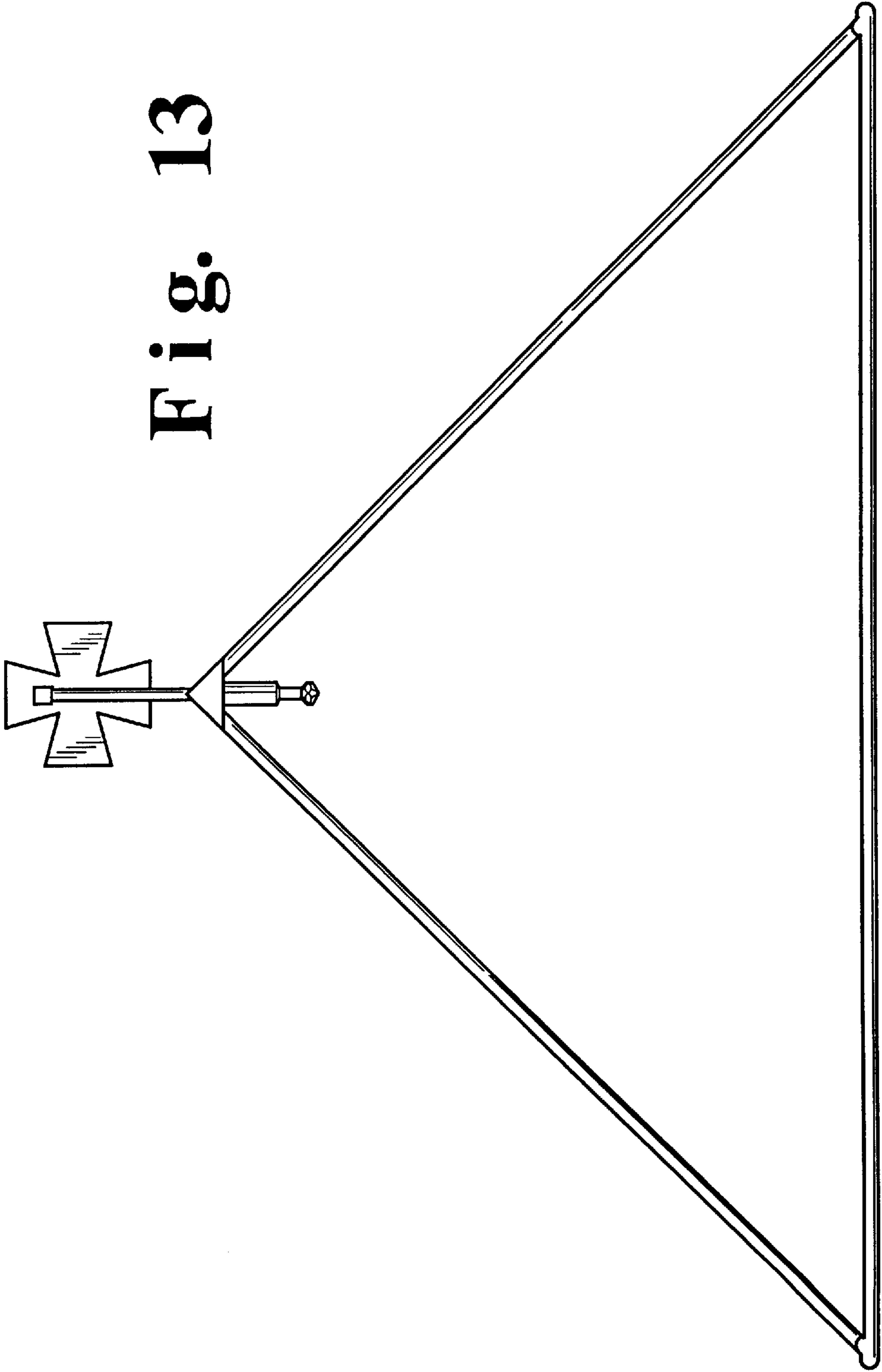


Fig. 12

Fig. 13



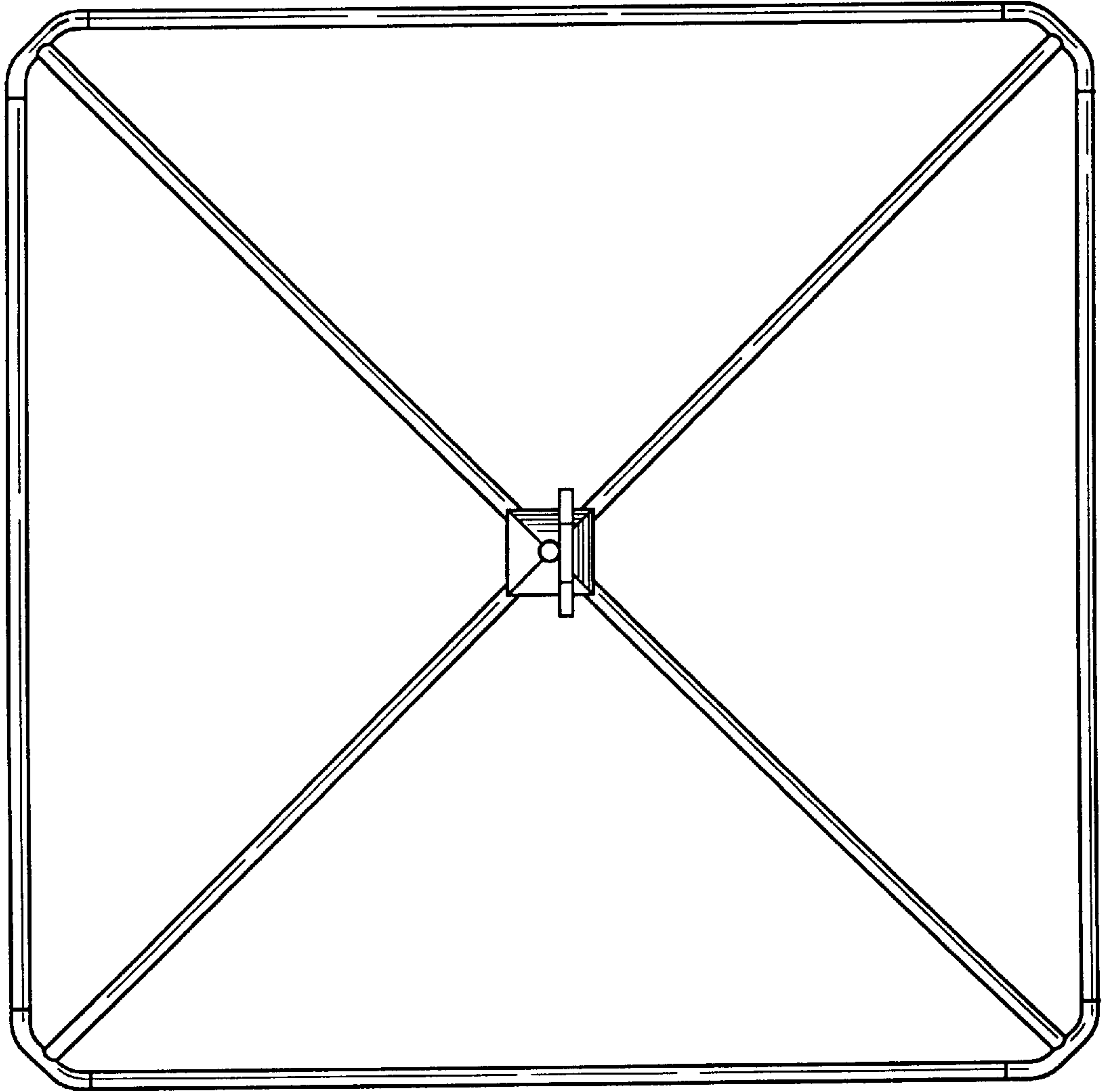


Fig. 14

Fig. 15

