



US00D417328S

United States Patent [19]

[11] **Patent Number: Des. 417,328**

Kwon

[45] **Date of Patent: ** Nov. 30, 1999**

[54] **CENTER PULL HOIST RING ASSEMBLY**

5,634,734	6/1997	Schron, Jr. et al.	403/78
5,732,991	3/1998	Tsui	294/89
5,743,576	4/1998	Schron, Jr. et al.	294/1.1
5,823,588	10/1998	Morghen	294/1.1
5,848,815	12/1998	Tsui et al.	294/1.1

[76] Inventor: **Yong Chin Kwon**, 1025 Pacific Ave., Apt. A, Hoffman Estates, Ill. 60194

[**] Term: **14 Years**

Primary Examiner—Susan J. Lucas
Assistant Examiner—Cynthia E. Ramirez
Attorney, Agent, or Firm—Dillis V. Allen, Esq.

[21] Appl. No.: **29/099,737**

[22] Filed: **Jan. 26, 1999**

[57] CLAIM

[51] **LOC (6) Cl.** **12-05**

[52] **U.S. Cl.** **D34/35**

[58] **Field of Search** D34/33, 35; 194/1.1, 194/89; 403/78, 164, 79, 19, 165; 410/101, 112, 173, 114

The ornamental design for a center pull hoist ring assembly, as shown.

DESCRIPTION

[56] References Cited

U.S. PATENT DOCUMENTS

3,404,503	10/1968	Courtois et al.	294/1.1
4,557,513	12/1985	Ferrieri	294/1.1
4,592,684	6/1986	Andrews	410/101
5,286,130	2/1994	Mueller	403/79
5,405,210	4/1995	Tsui	403/78
5,586,801	12/1996	Sawyer et al.	294/1.1

FIG. 1 is a front perspective view of the present hoist ring assembly;

FIG. 2 is a left side view of the present hoist ring assembly;

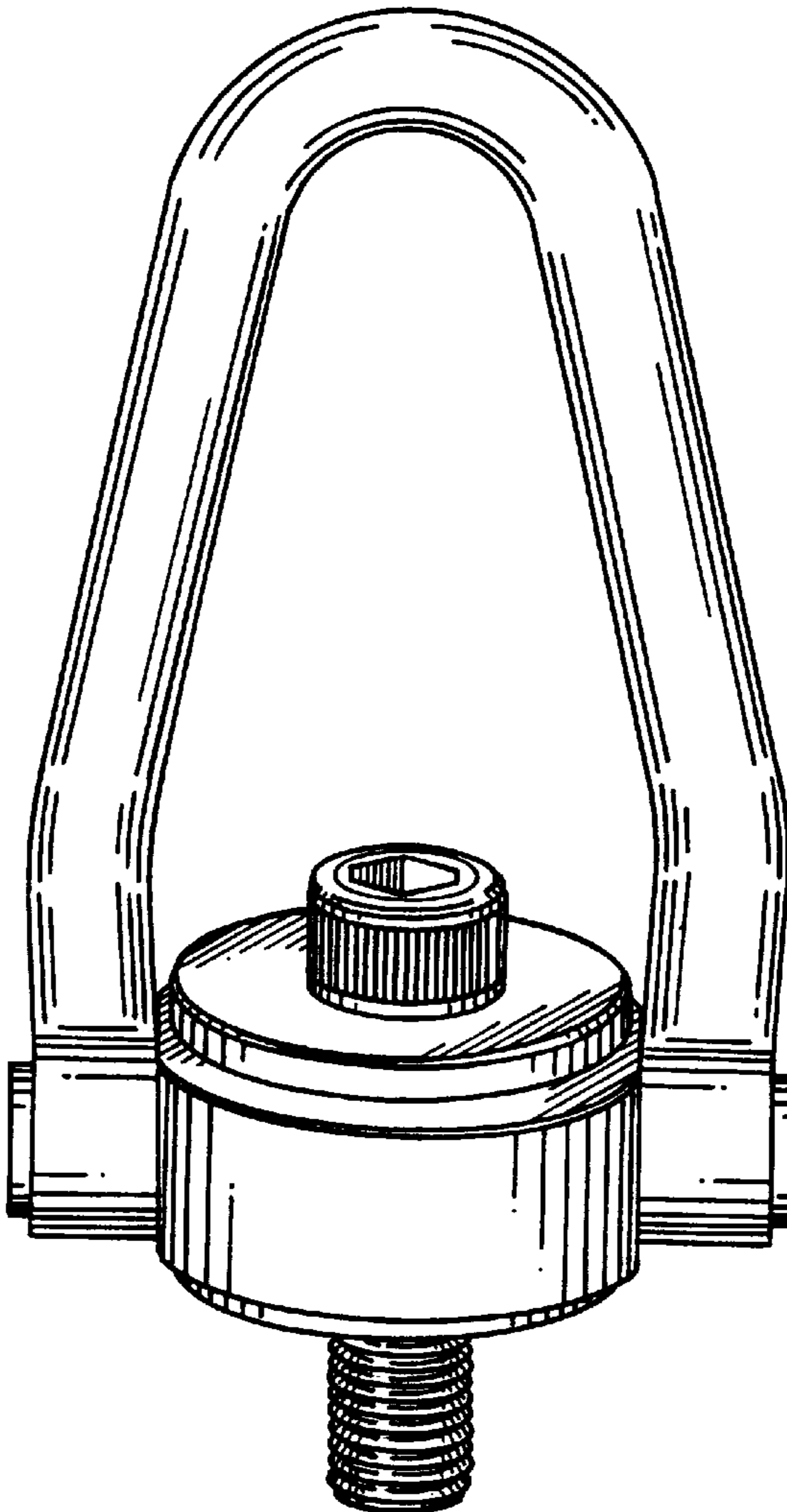
FIG. 3 is a right side view of the present hoist ring assembly;

FIG. 4 is a bottom view of the present hoist ring assembly;

and,

FIG. 5 is a top view of the present hoist ring assembly.

1 Claim, 2 Drawing Sheets



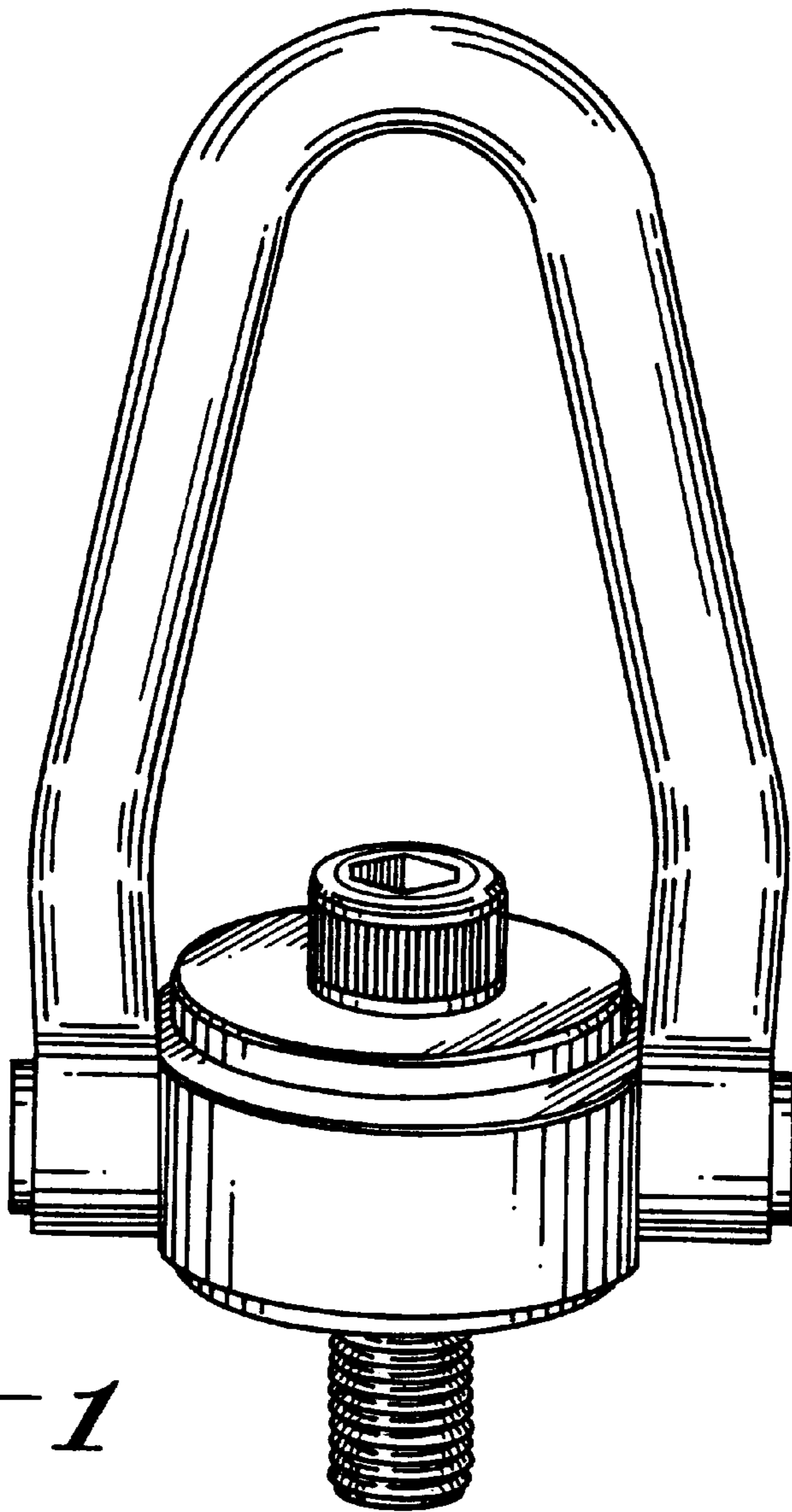


Fig. 1

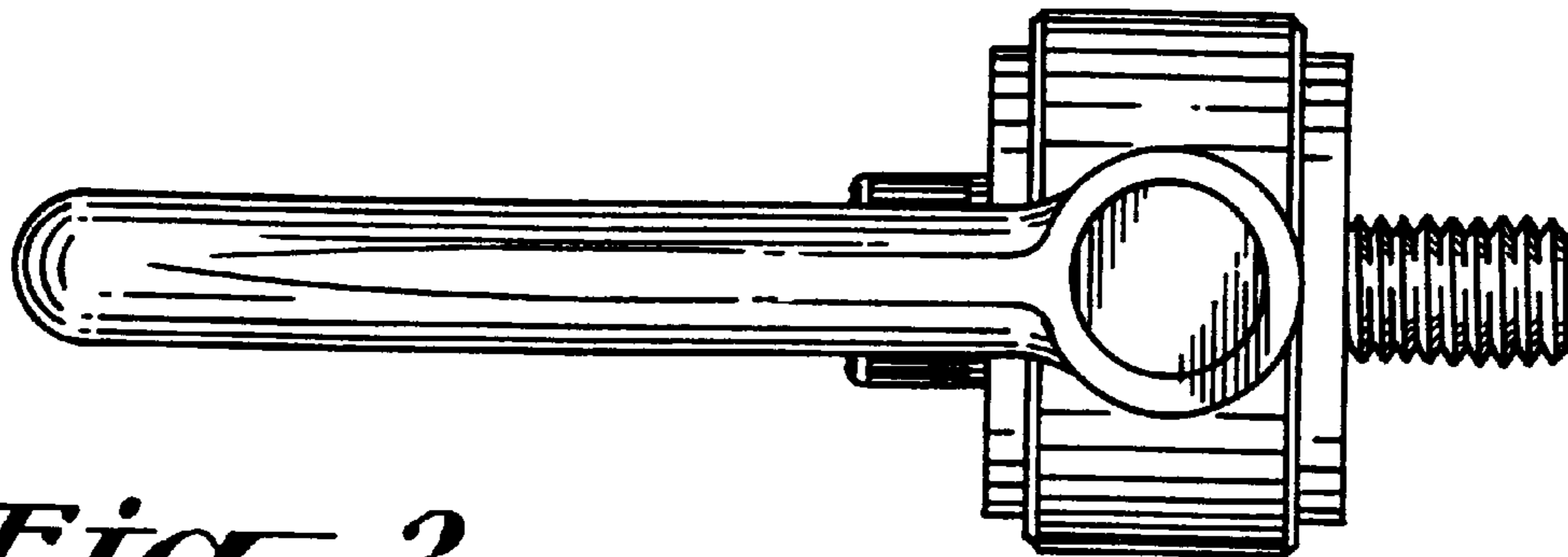


Fig. 2

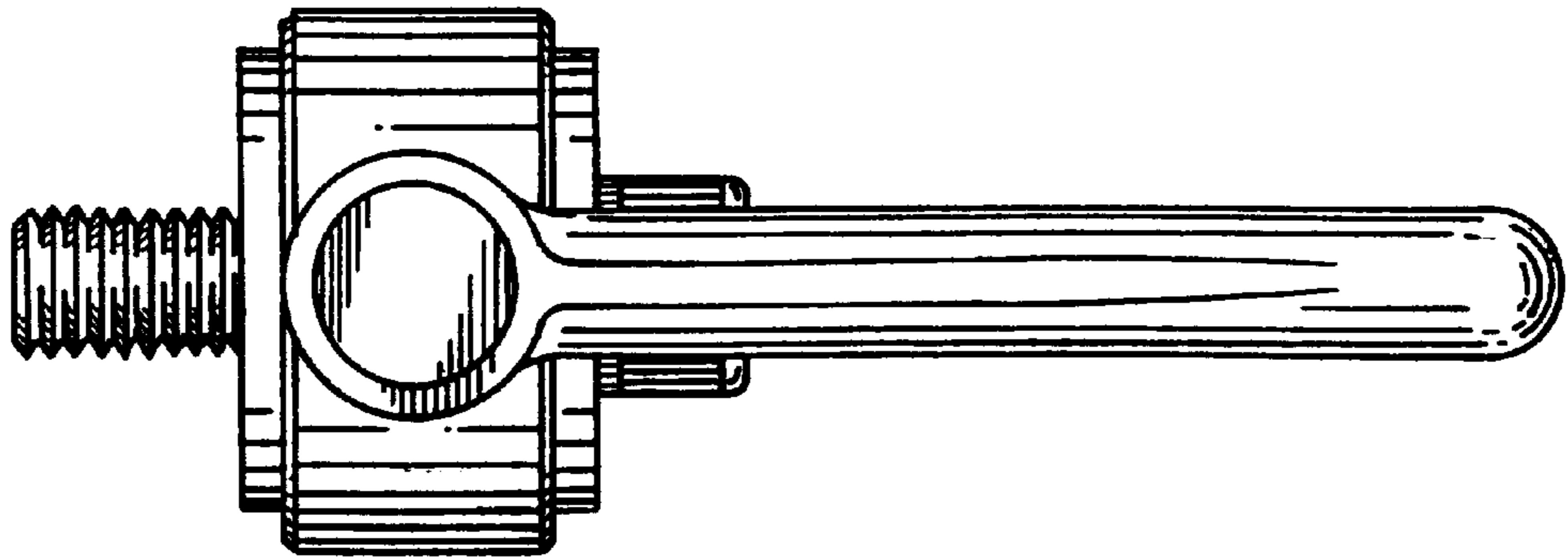


Fig. 3

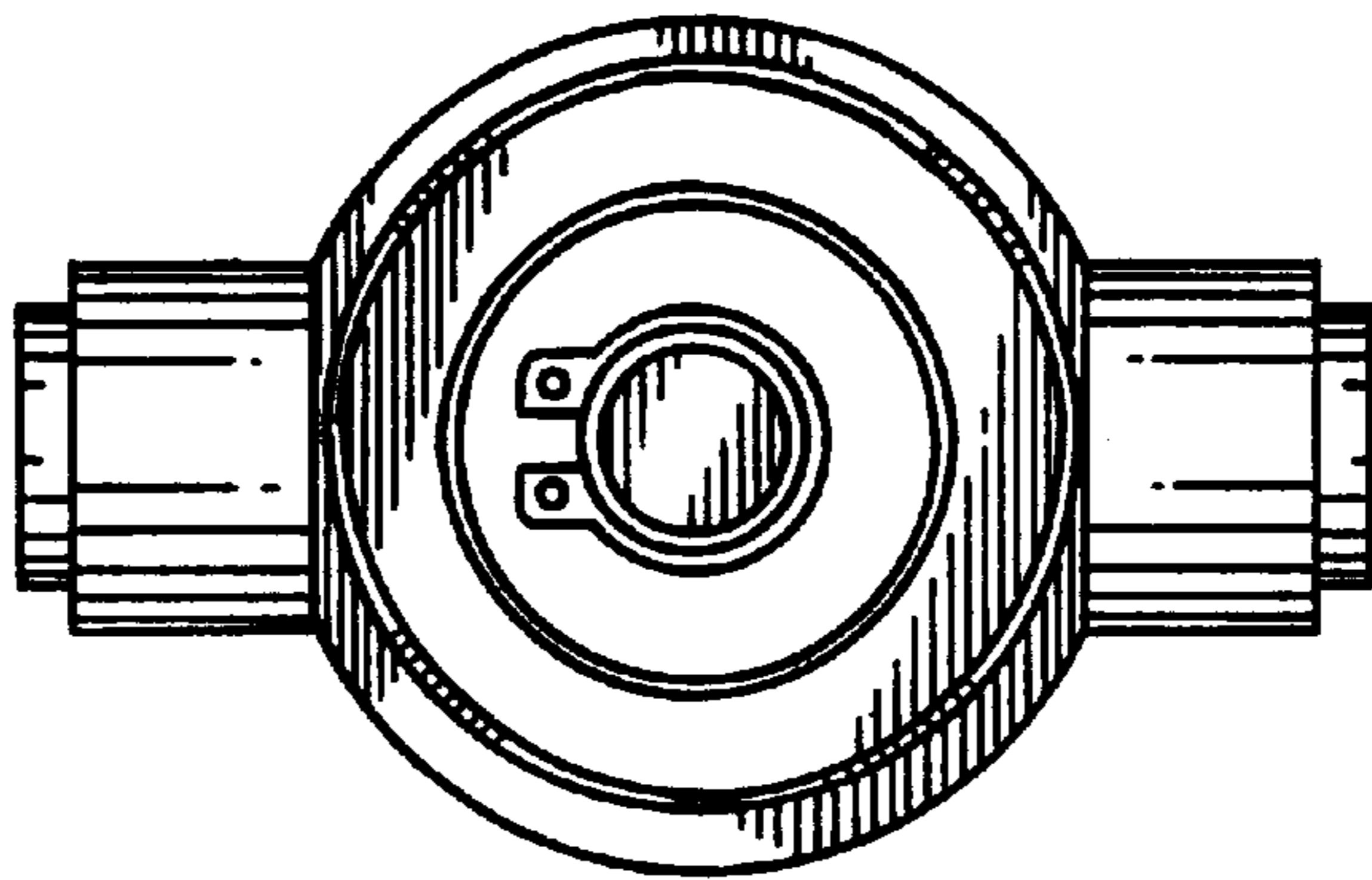


Fig. 4

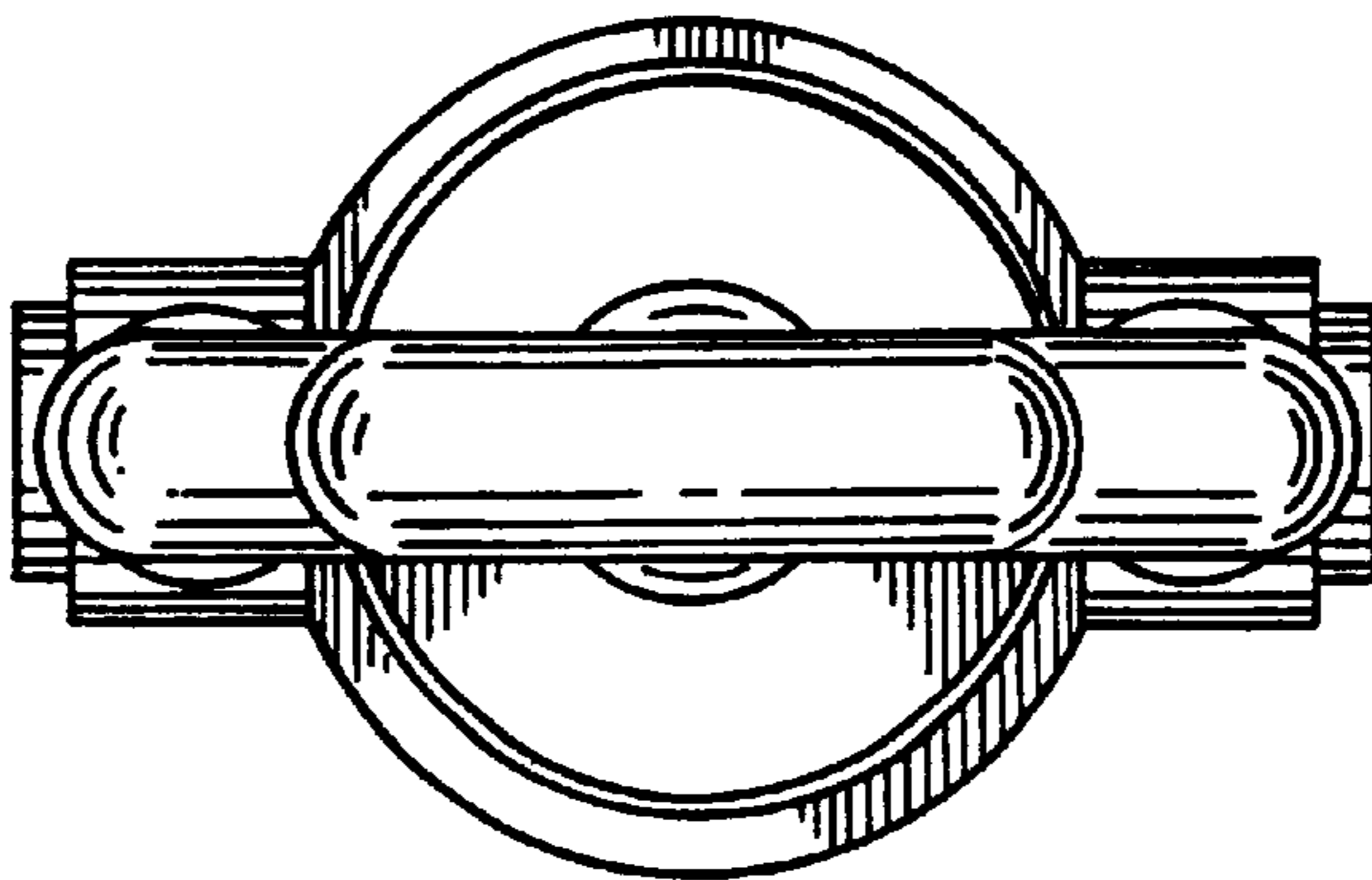


Fig. 5