



US00D417326S

United States Patent [19] Greene

[11] **Patent Number: Des. 417,326**

[45] **Date of Patent: ** Nov. 30, 1999**

[54] **PAIL**

D. 386,860 11/1997 Breen D32/53
2,051,940 8/1936 Chichester-Miles 220/694

[75] Inventor: **Michael Wayne Greene**, Incline Village, Nev.

Primary Examiner—Robin V. Taylor
Attorney, Agent, or Firm—Barrigar & Moss

[73] Assignee: **Euro United Corporation**, Oakville, Canada

[57] **CLAIM**

[**] Term: **14 Years**

The ornamental design for pail, as shown and described.

[21] Appl. No.: **29/102,265**

DESCRIPTION

[22] Filed: **Mar. 19, 1999**

[30] Foreign Application Priority Data

Jan. 20, 1999 [CA] Canada 1999-0124

[51] **LOC (6) Cl.** **07-07**

[52] **U.S. Cl.** **D32/53**

[58] **Field of Search** D32/53, 53.1,
D32/54; D22/136; 15/260 A, 262, 264;
220/694-696

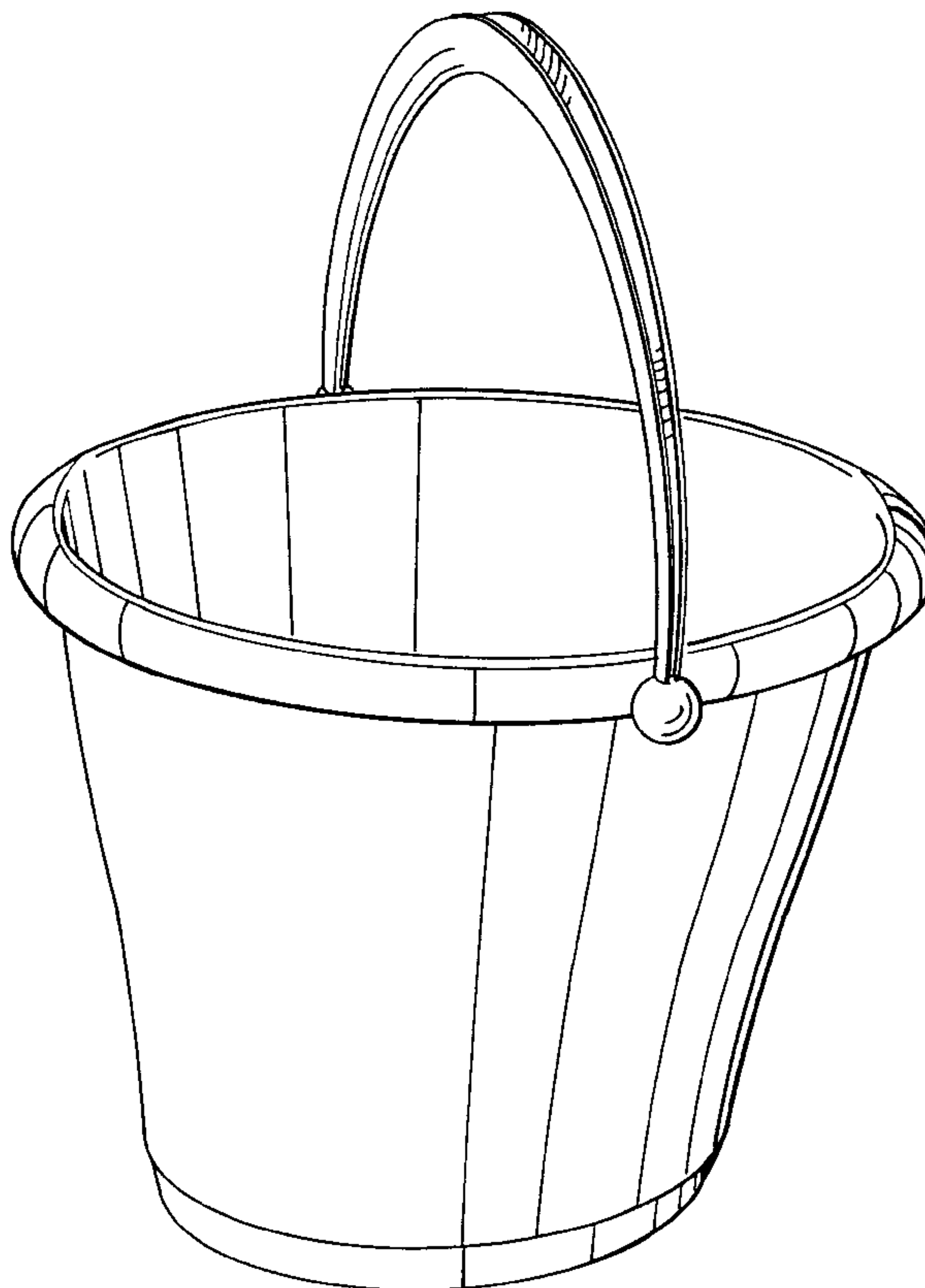
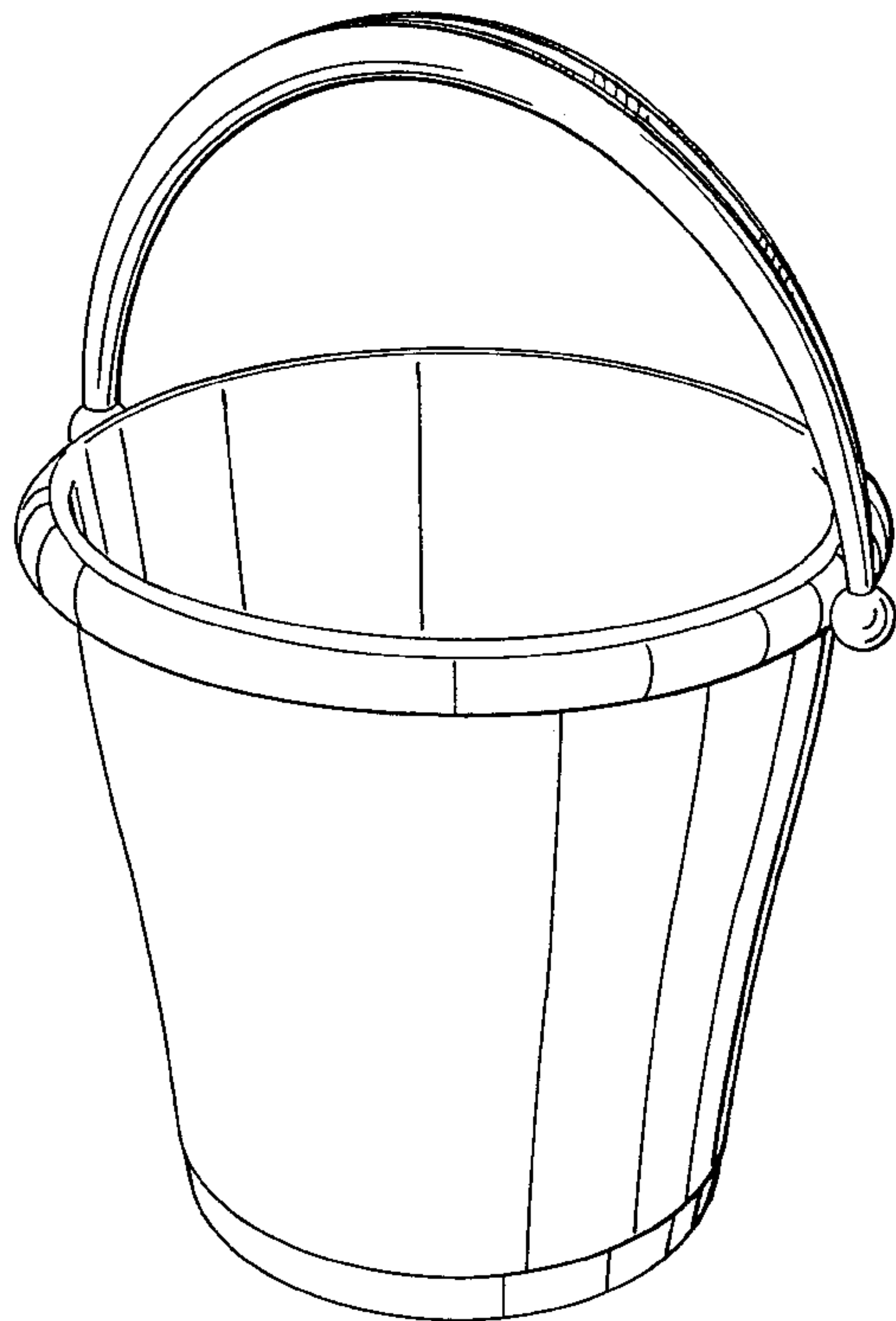
FIG. 1 is a perspective view of a first variant of the design; FIG. 2 is a left side view of the first variant of the design, the right side being identical in appearance to the left; FIG. 3 is a front view of the first variant of the design, the back being identical in appearance to the front; FIG. 4 is a top view of the first variant of the design; FIG. 5 is a bottom view of the first variant of the design; FIG. 6 is a perspective view of a second variant of the design; FIG. 7 is a top view of the second variant of the design; FIG. 8 is a bottom view of the second variant of the design; FIG. 9 is a left side view of the second variant of the design, the right side being identical in appearance to the left; and, FIG. 10 is a front view of the second variant of the design, the back being identical in appearance to the front.

[56] References Cited

U.S. PATENT DOCUMENTS

D. 230,462 2/1974 Renou D32/53
D. 368,347 3/1996 Kruger D32/53
D. 374,043 9/1996 Ryaa et al. D32/53

1 Claim, 6 Drawing Sheets



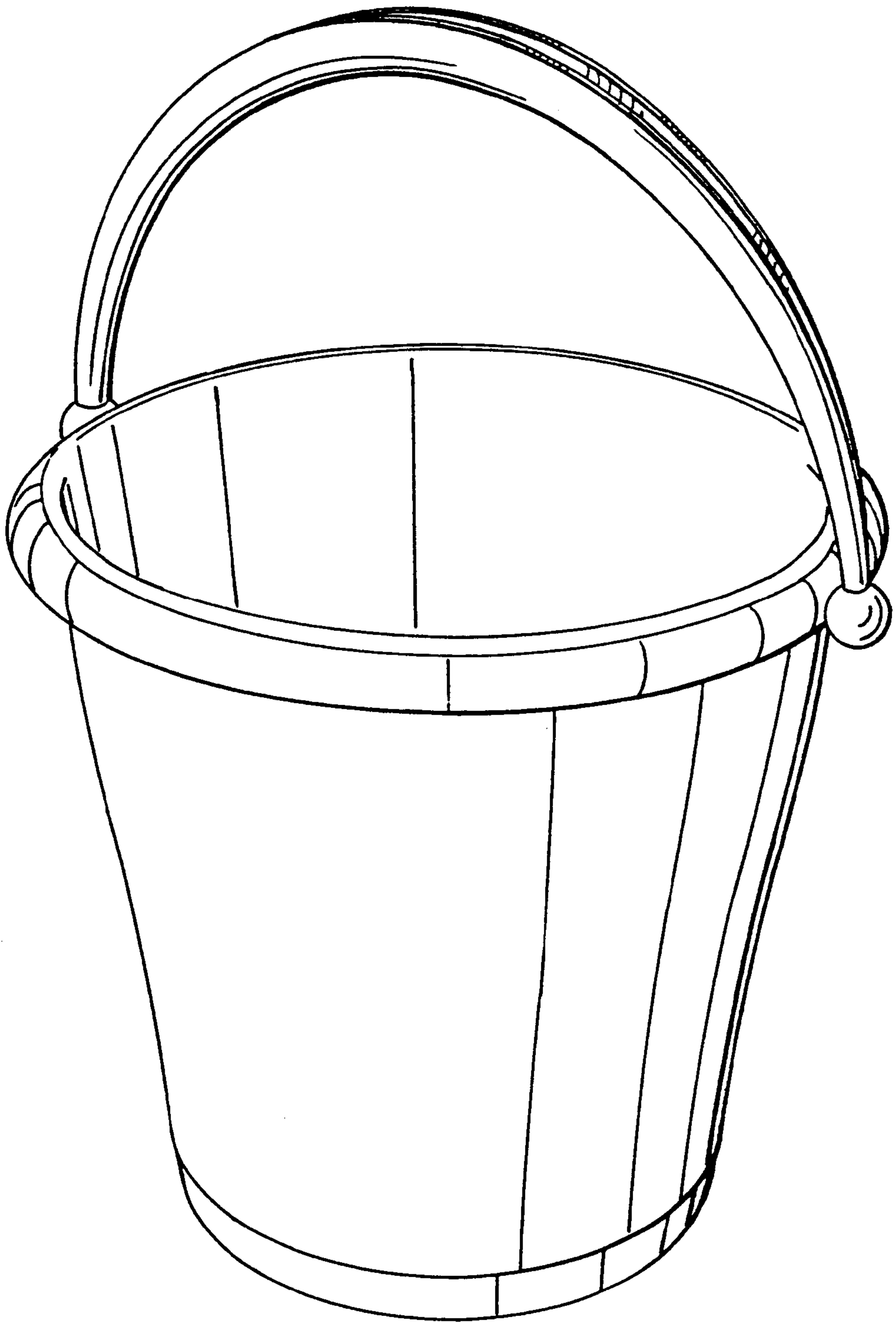


FIG. 1

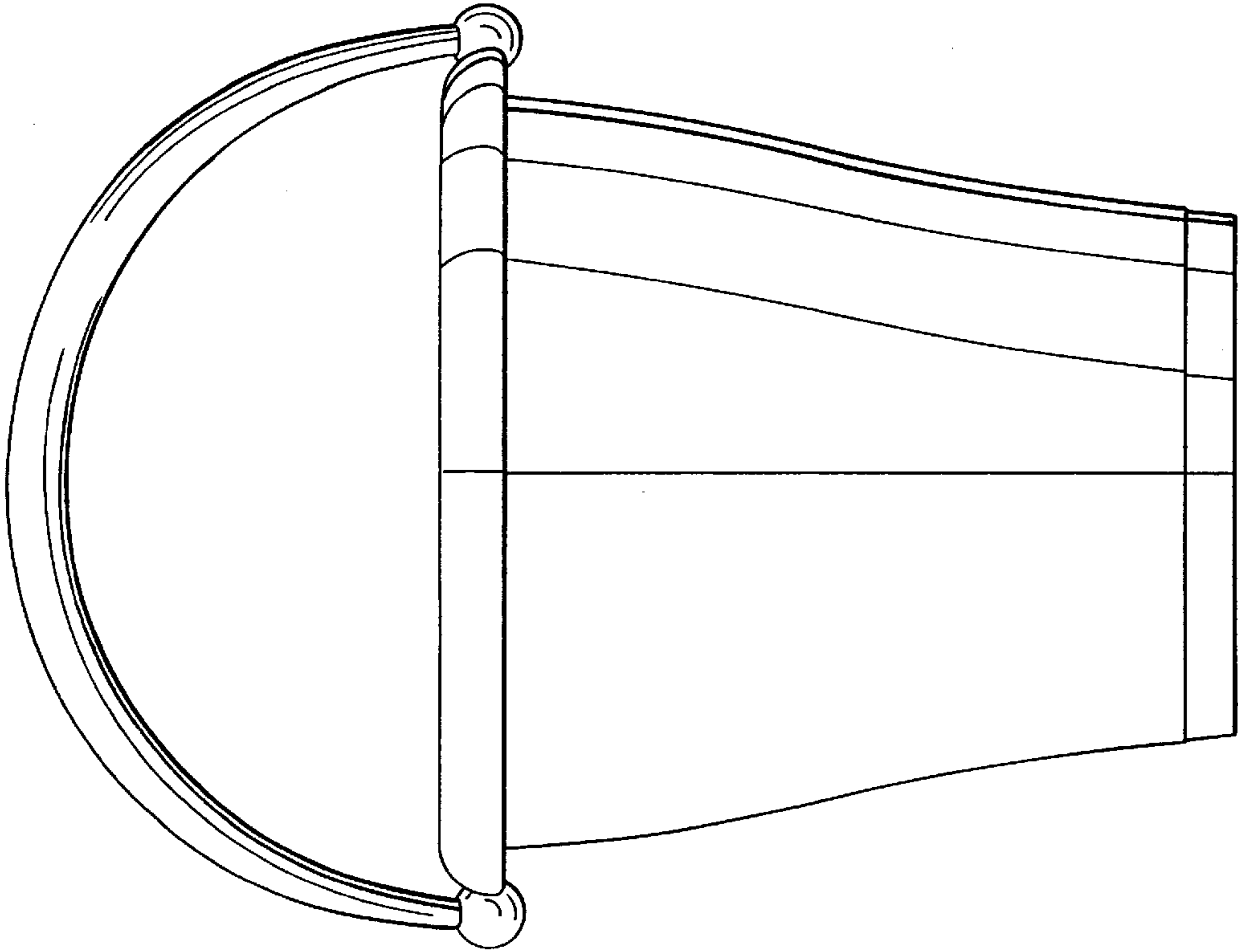


FIG. 3

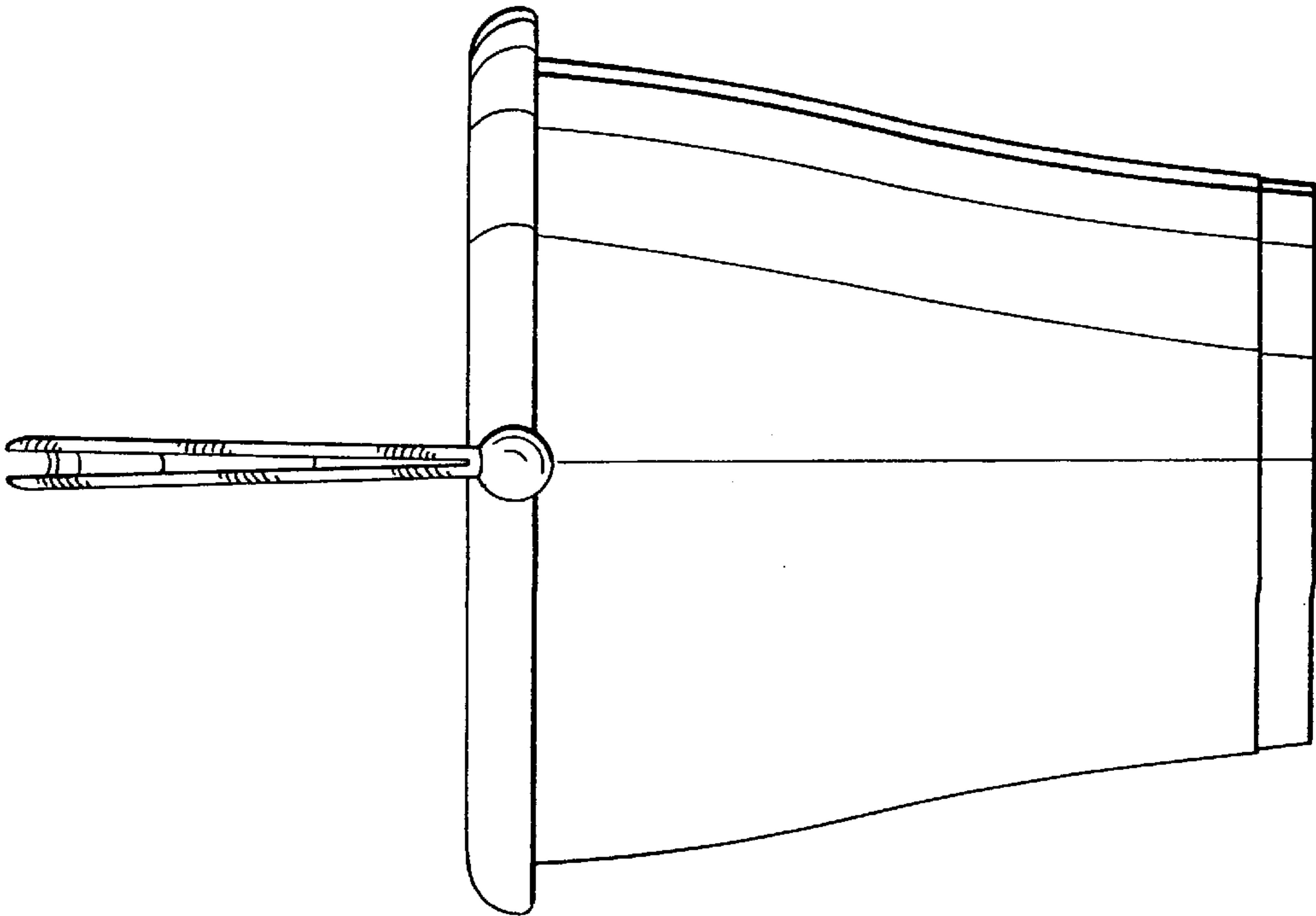


FIG. 2

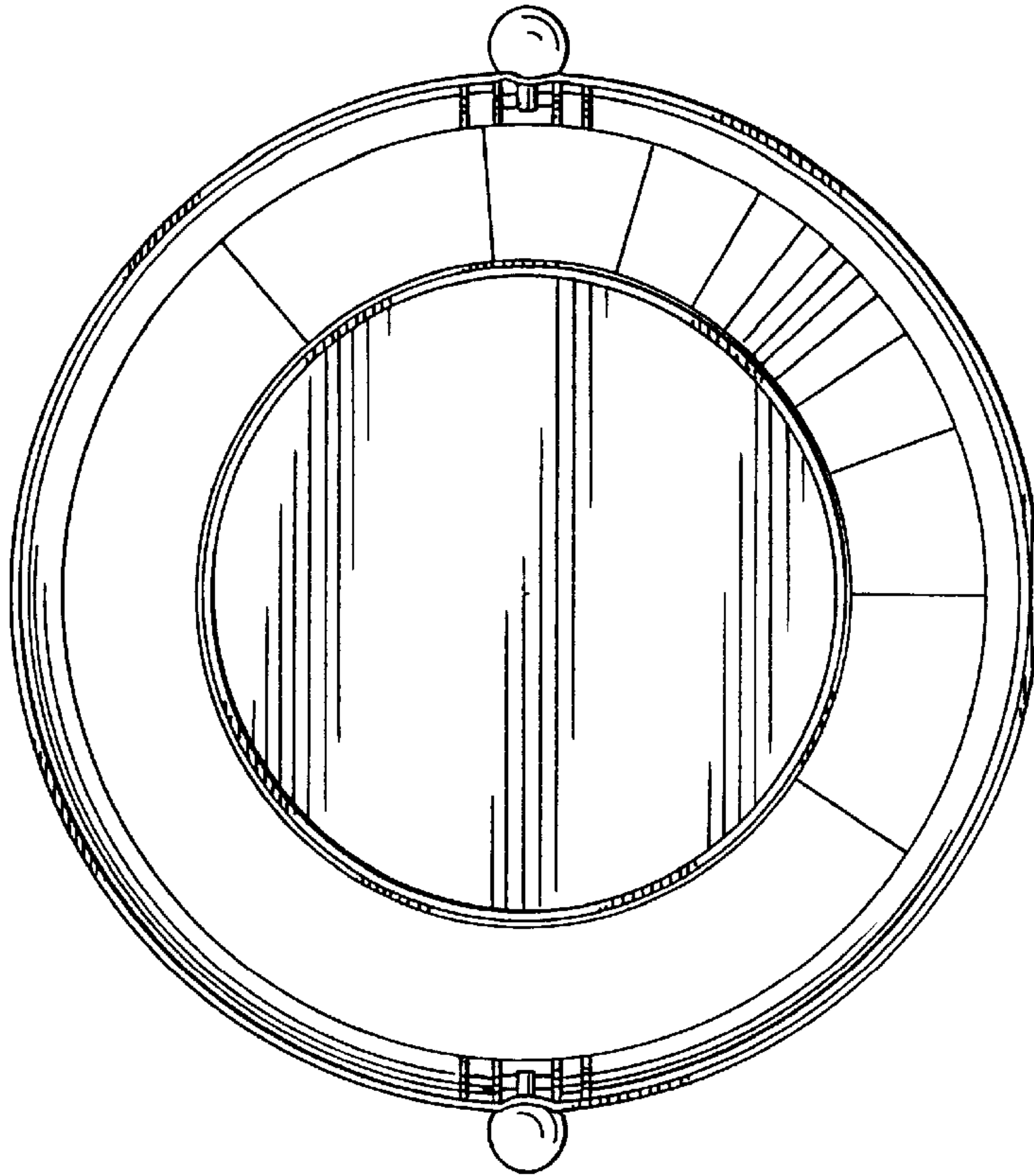


FIG. 5

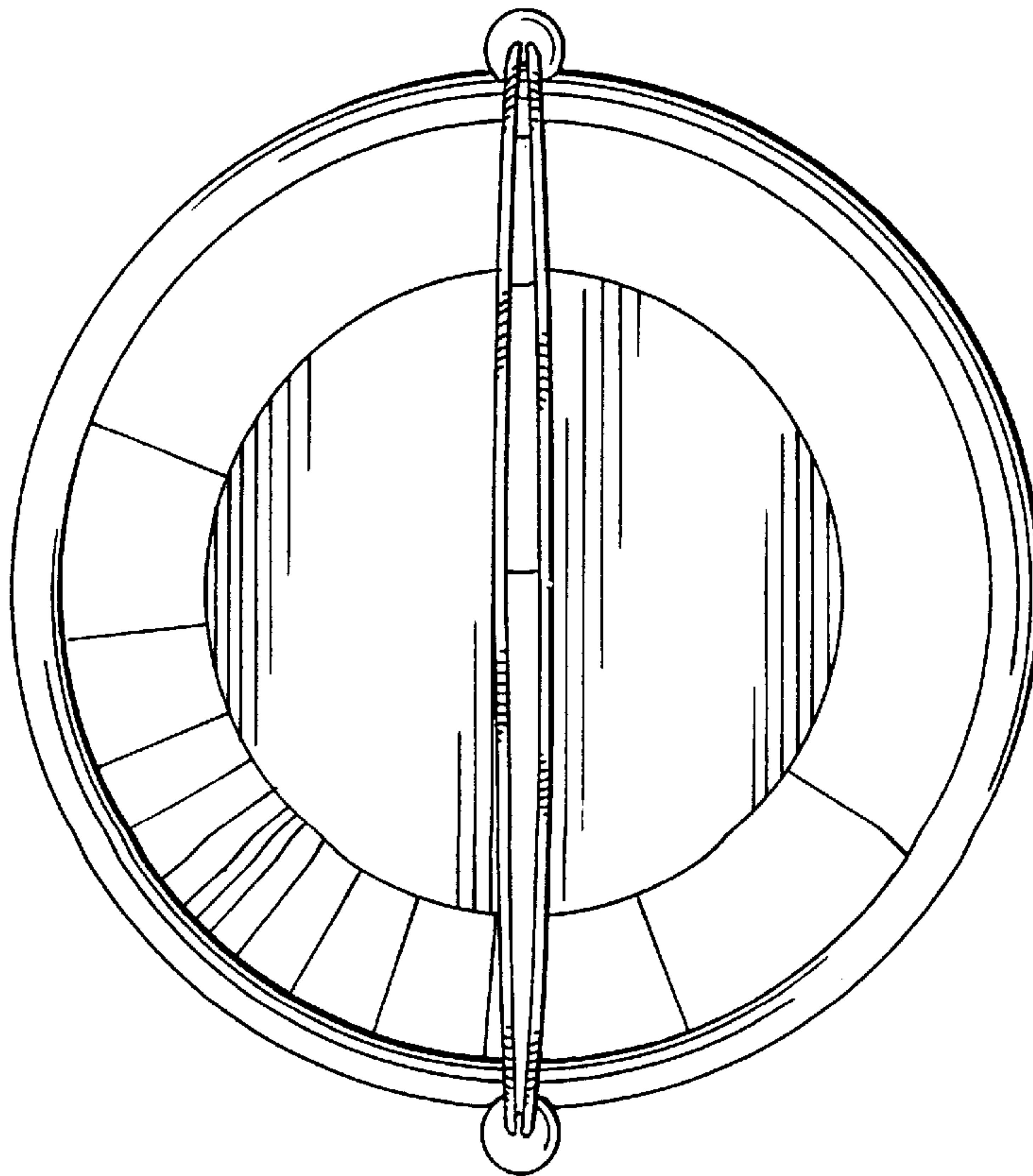


FIG. 4

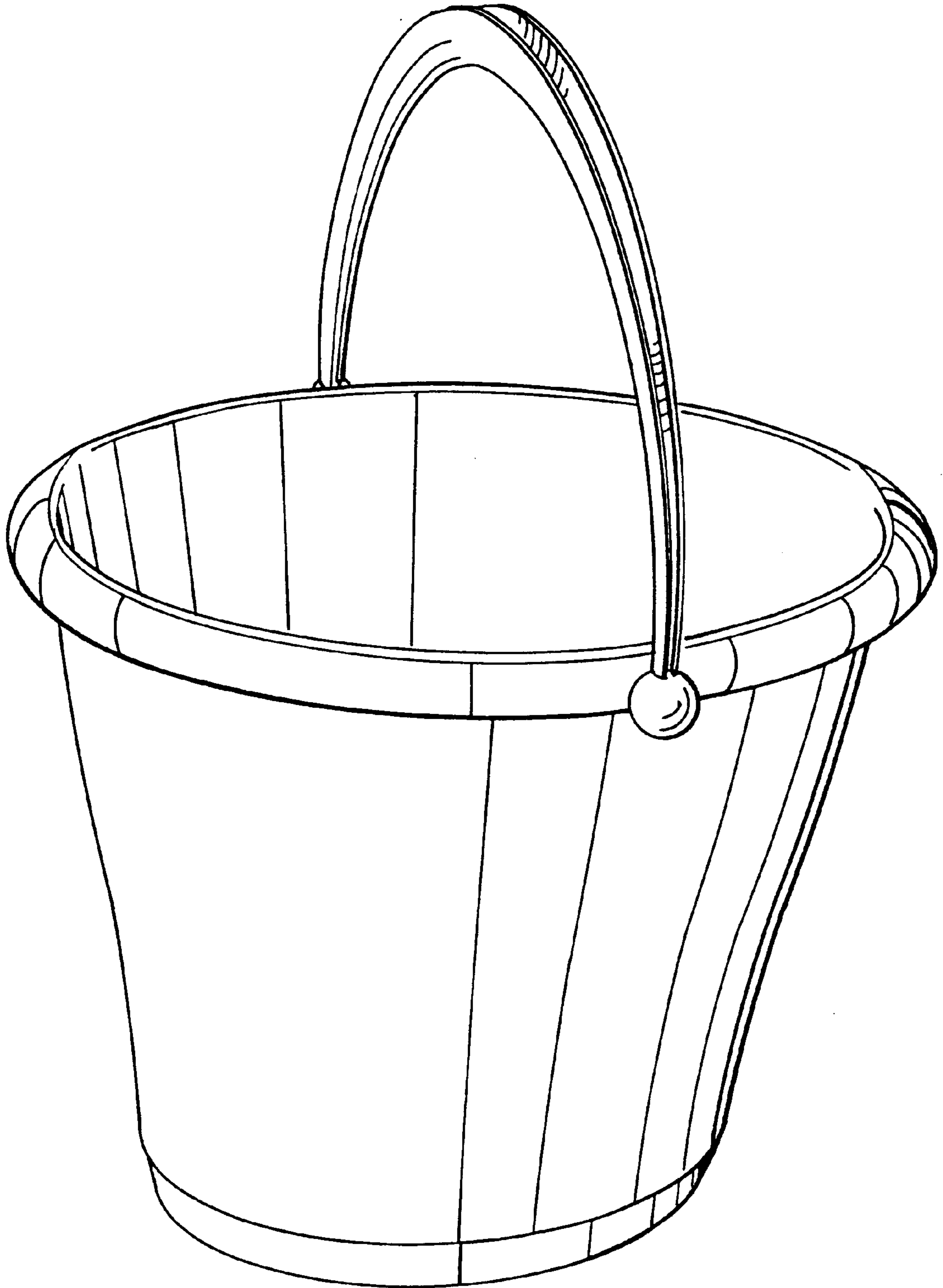


FIG. 6

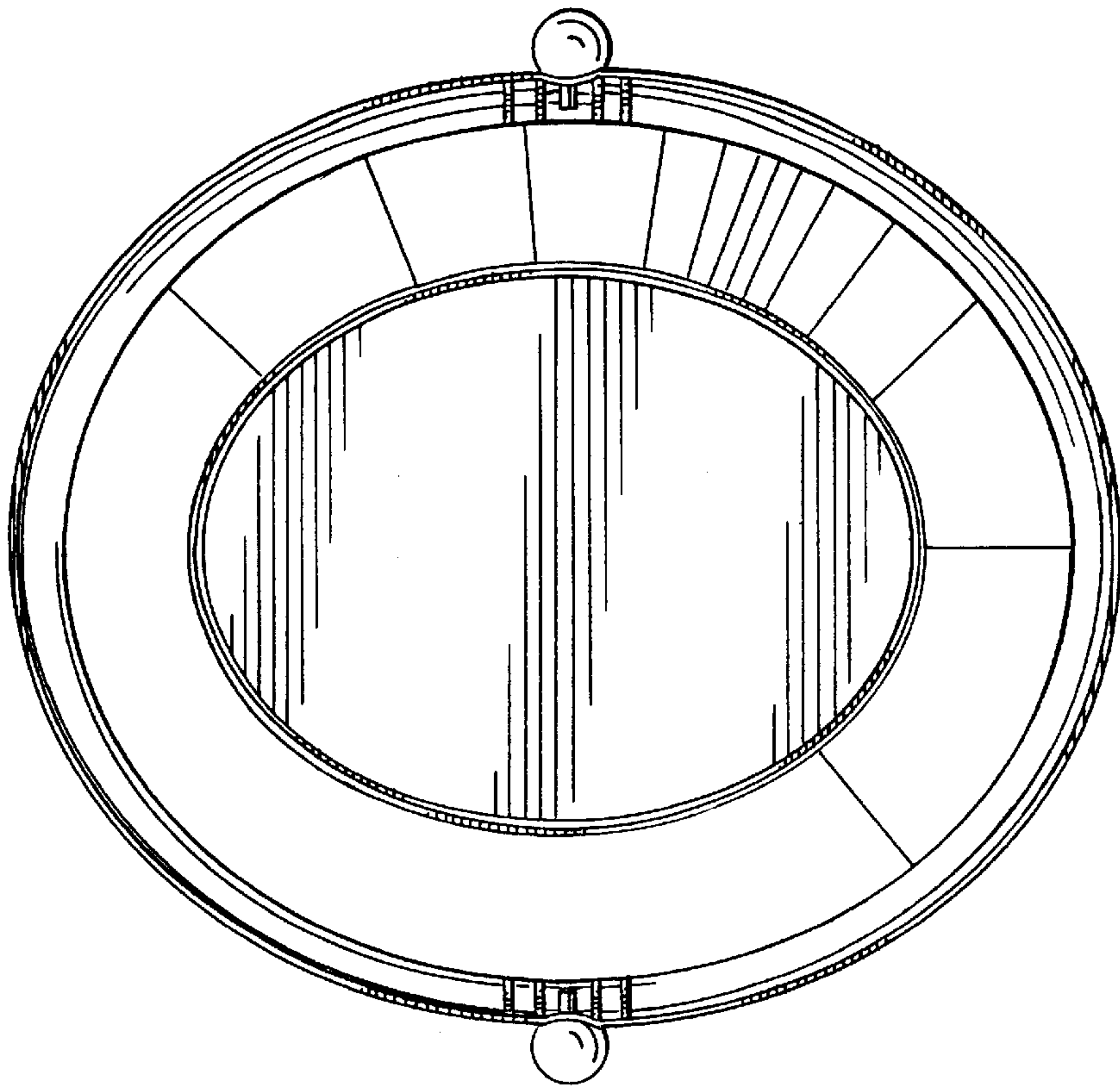


FIG. 8

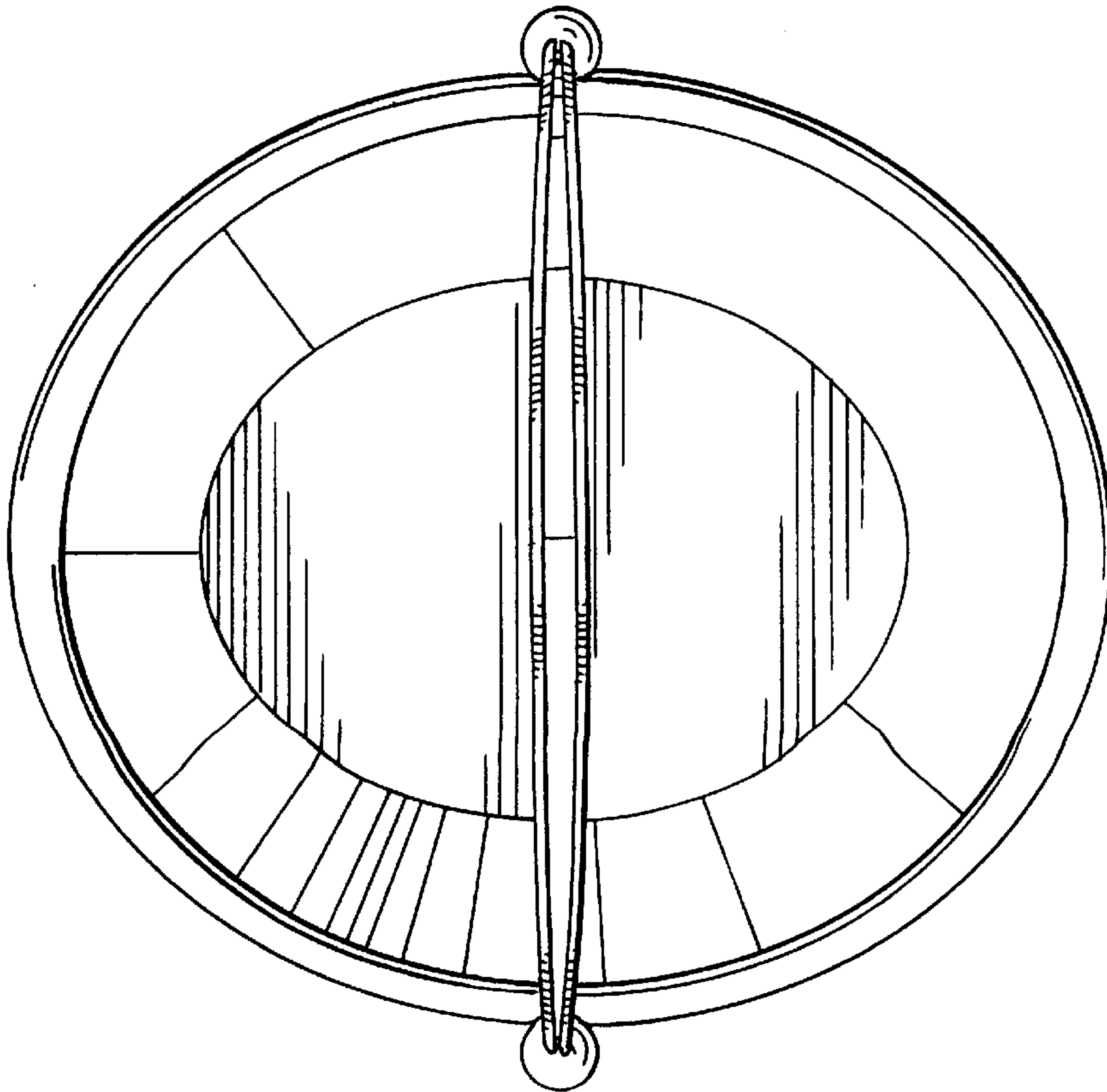


FIG. 7

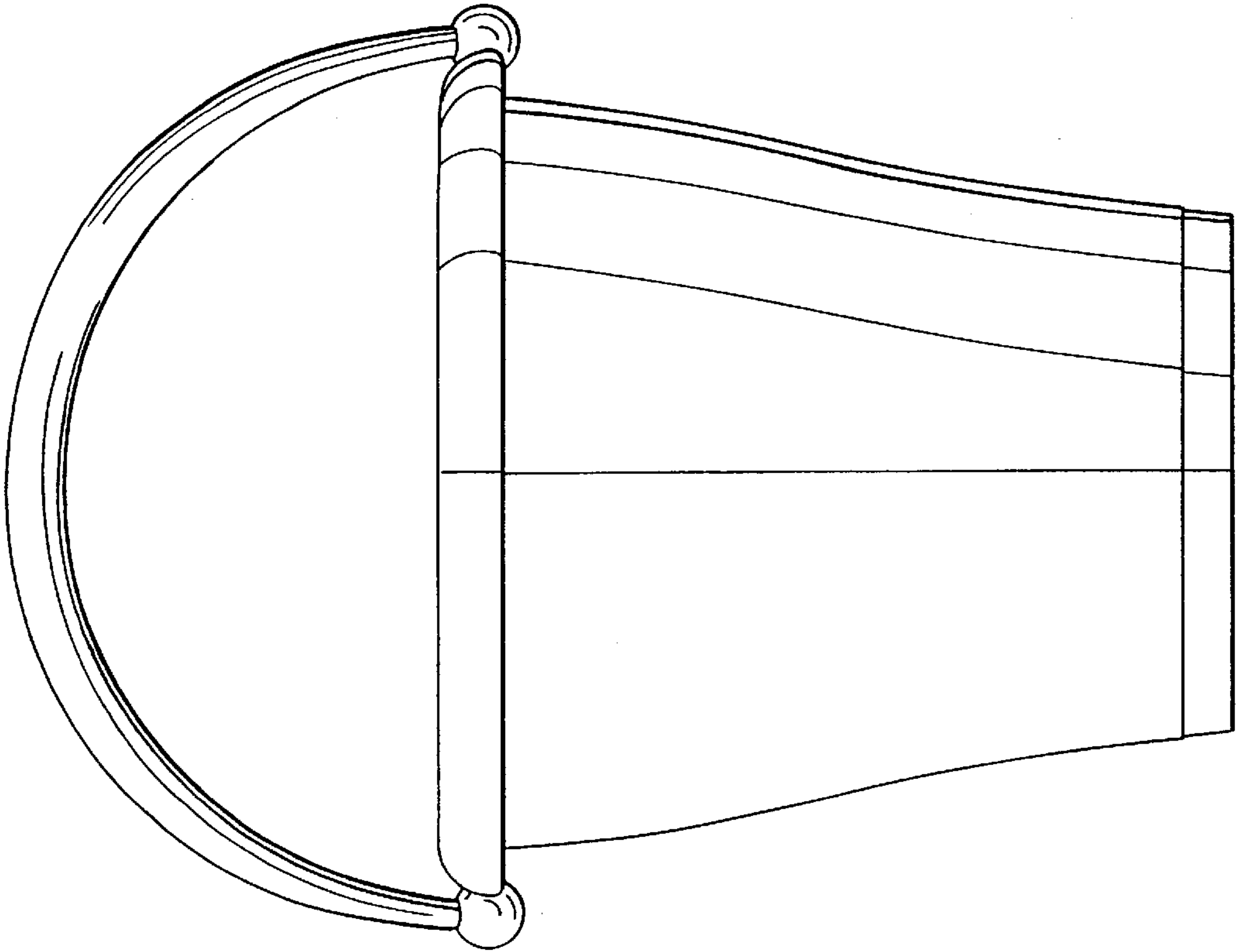


FIG. 10

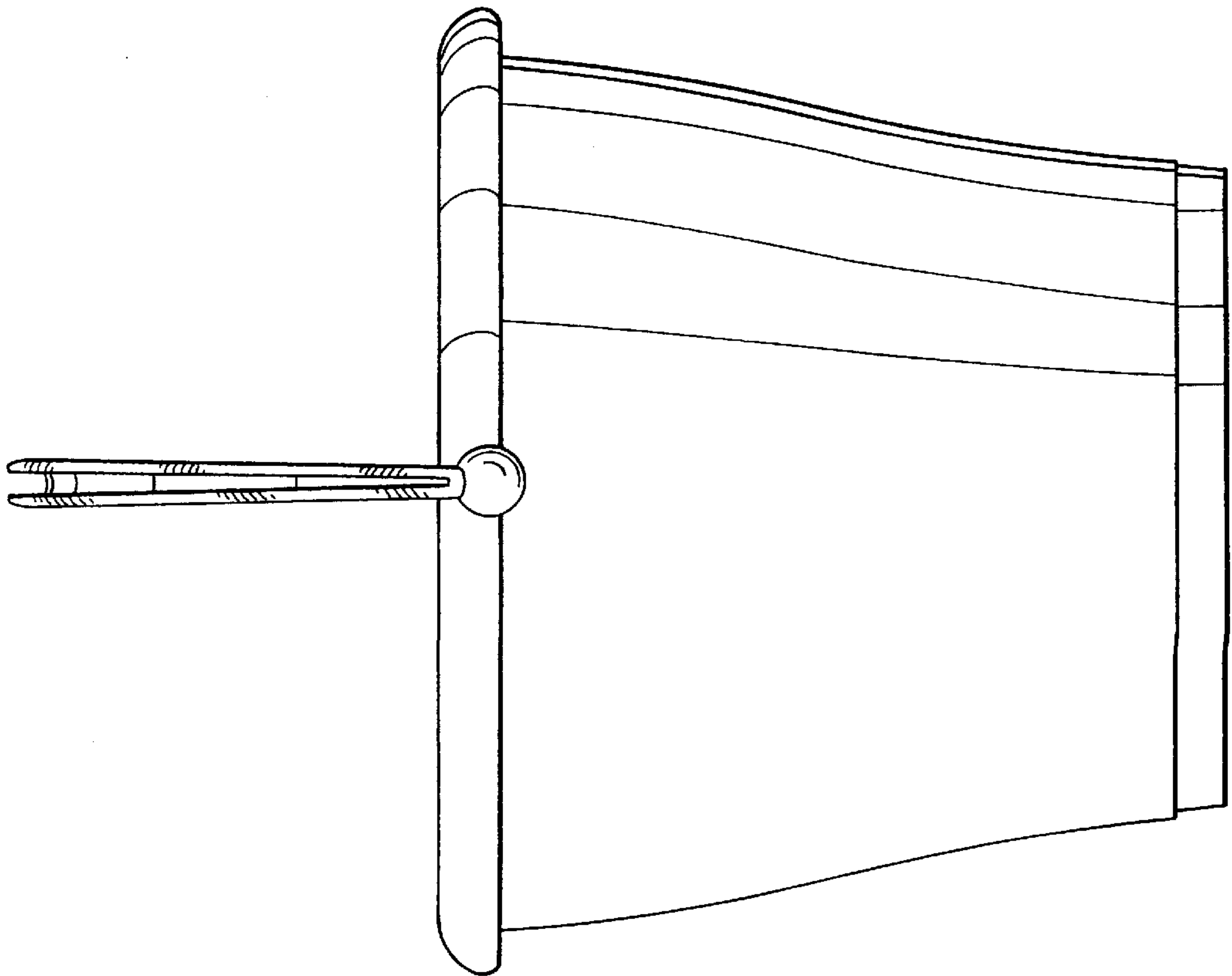


FIG. 9