



US00D417325S

United States Patent [19] Tintelnot

[11] **Patent Number: Des. 417,325**

[45] **Date of Patent: ** Nov. 30, 1999**

[54] **RUBBER BROOM**

[75] Inventor: **Carl-Uwe Tintelnot**, Weinheim, Germany

[73] Assignee: **Vileda, GmbH**, Weinheim, Germany

[**] Term: **14 Years**

[21] Appl. No.: **29/089,413**

[22] Filed: **Jun. 15, 1998**

[51] **LOC (6) Cl. 04-01**

[52] **U.S. Cl. D32/50; D4/135**

[58] **Field of Search 4/132, 135, 199; D32/40, 50, 51; 15/159.1, 160, 168, 171, 175, 191.1, 192, 193**

[56] **References Cited**

U.S. PATENT DOCUMENTS

56,859 7/1866 Middleton 15/171
D. 140,238 2/1945 Bellstaedt D4/199

D. 371,003 6/1996 Wolfenden D4/135
689,941 12/1901 Wilson 15/171
1,901,542 3/1933 Wansor 15/171

Primary Examiner—Alan P. Douglas
Assistant Examiner—Lavone D. Tabor

[57] **CLAIM**

The ornamental design for a rubber broom, as shown and described.

DESCRIPTION

FIG. 1 is a perspective view of the rubber broom of my new design.

FIG. 2 is a front view of the rubber broom of FIG. 1.

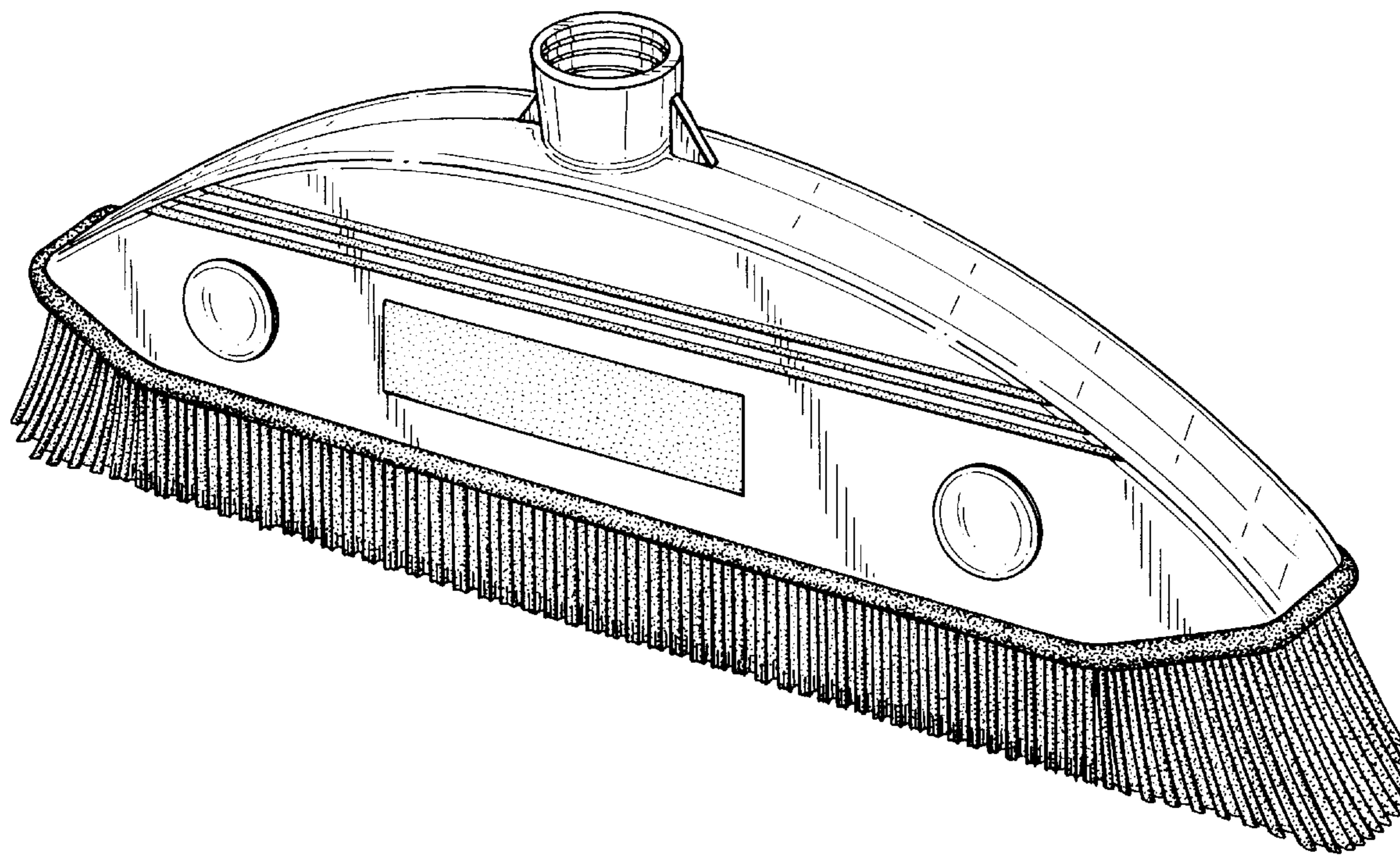
FIG. 3 is a left side view of the rubber broom shown in FIG. 1.

FIG. 4 is a right side view of the rubber broom of FIG. 1.

FIG. 5 is a top view of the rubber broom of FIG. 1; and, FIG. 6 is a bottom view of the rubber broom of FIG. 1.

The rear of the bottom is the identical to the front.

1 Claim, 5 Drawing Sheets



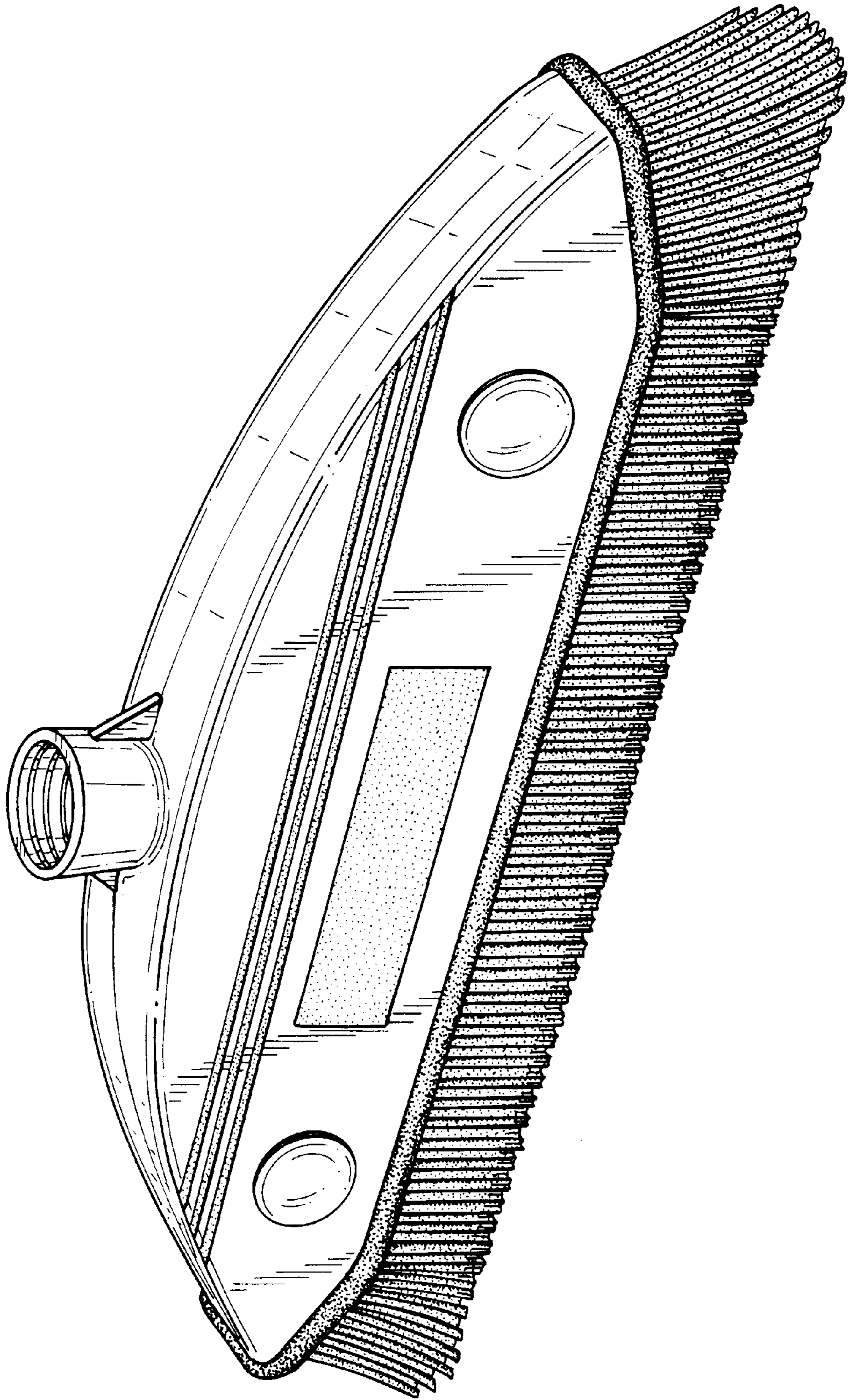


FIG. 1

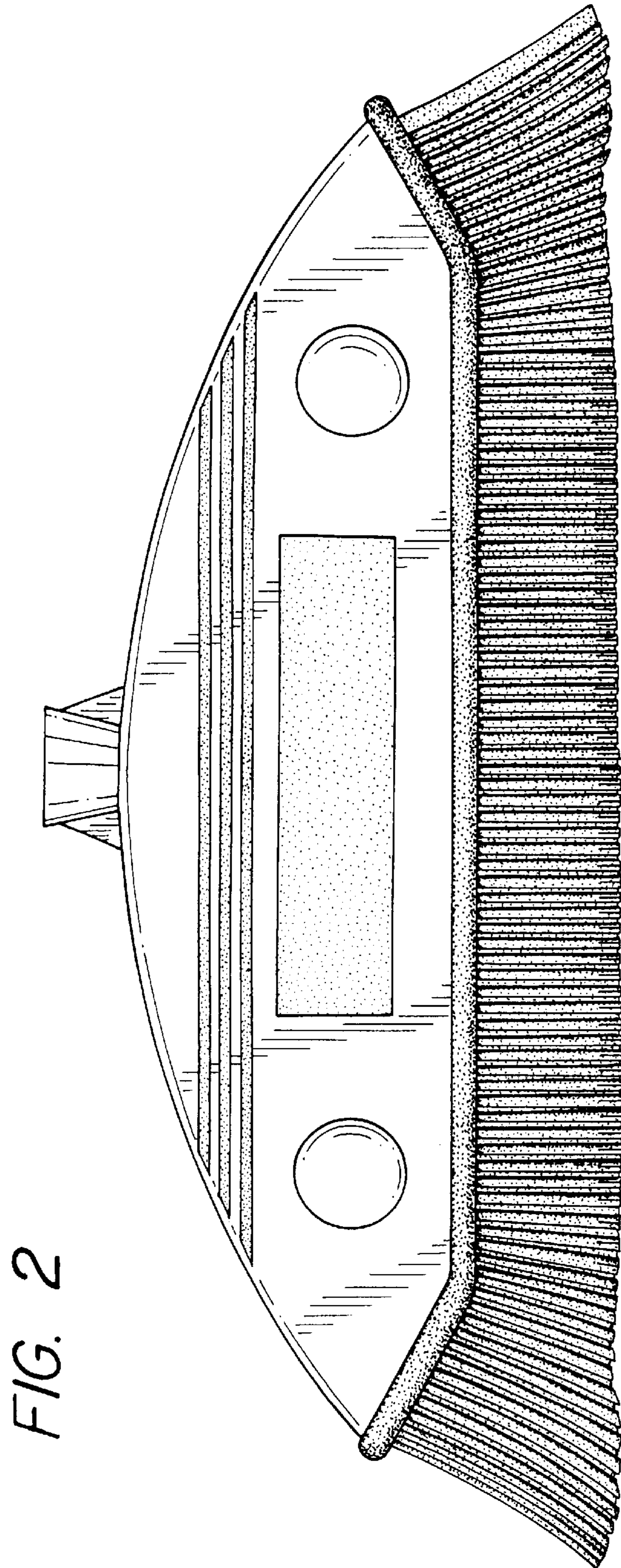


FIG. 2

FIG. 3

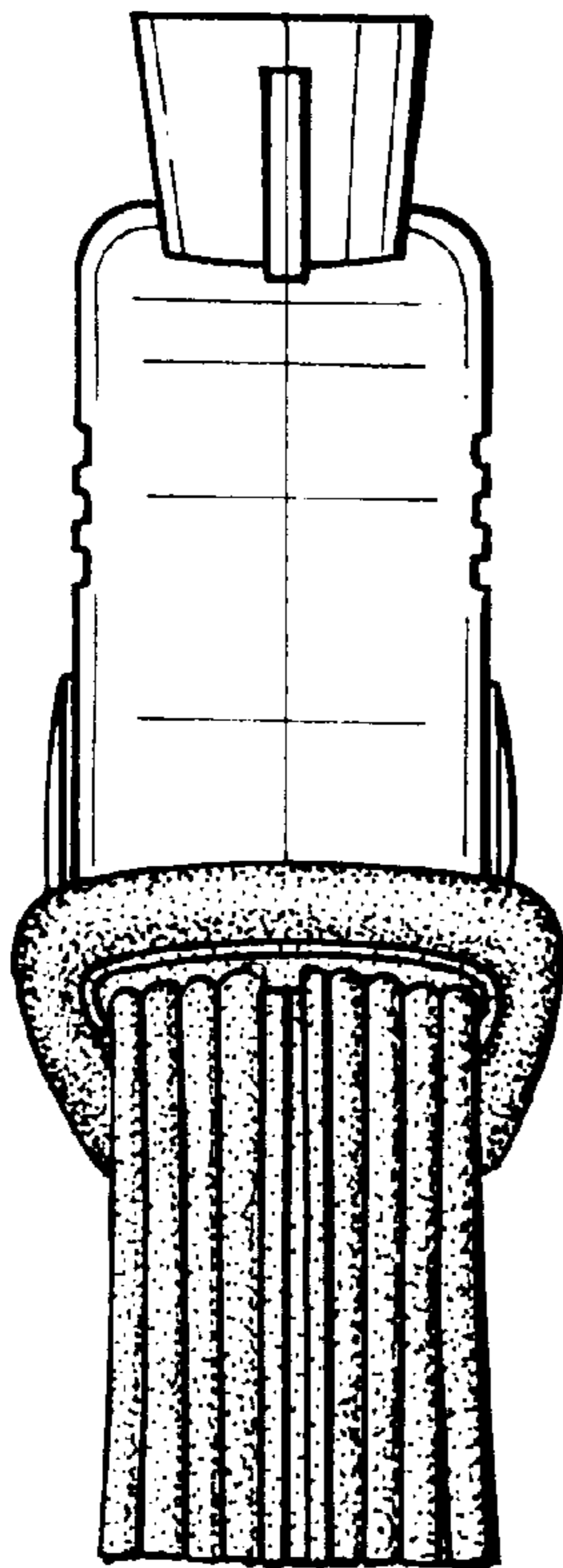
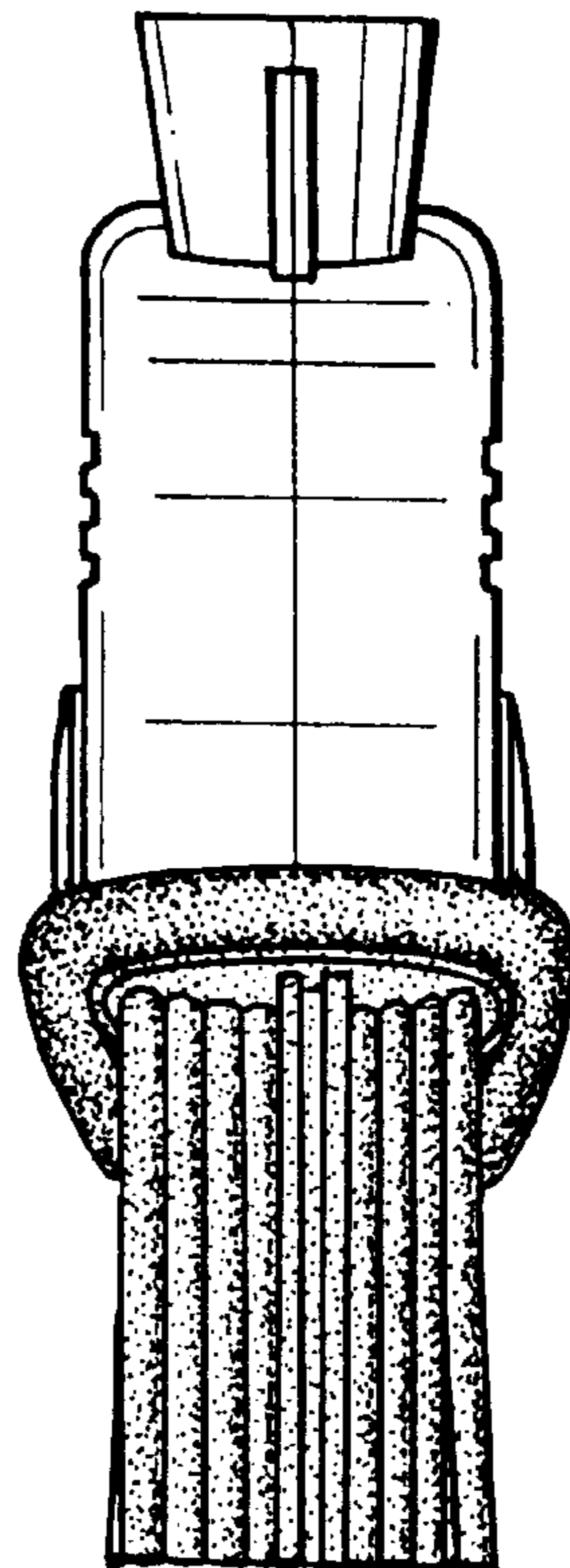


FIG. 4



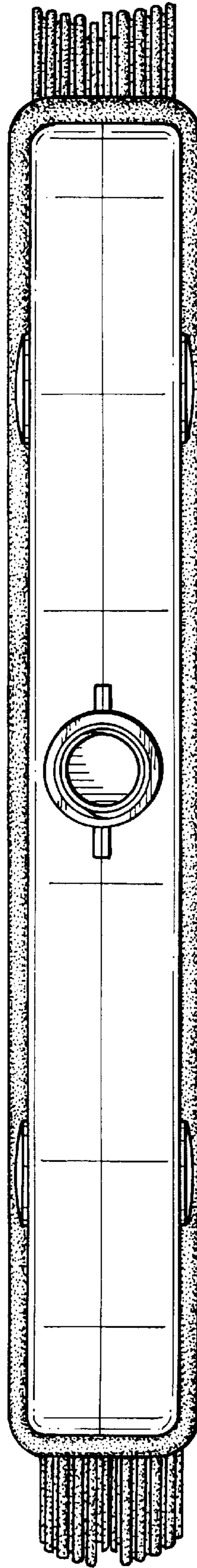


FIG. 5

FIG. 6

