



US00D417324S

United States Patent [19] Farls

[11] Patent Number: Des. 417,324

[45] Date of Patent: ** Nov. 30, 1999

[54] GRILL BRUSH

[76] Inventor: John F. Farls, 108 Witherow Rd., Sewickley, Pa. 15143

[**] Term: 14 Years

[21] Appl. No.: 29/091,697

[22] Filed: Aug. 4, 1998

[51] LOC (6) Cl. 08-05

[52] U.S. Cl. D32/40; D4/137; D32/42

[58] Field of Search D4/118, 137; D32/40, D32/42, 51, 52; 15/208, 209.1, 210.1, 218.1, 229.11, 229.13, 244.1, 244.4

[56] References Cited

U.S. PATENT DOCUMENTS

D. 206,791	1/1967	Martin	D4/137
D. 343,484	1/1994	Moran et al.	D32/40
1,557,473	10/1925	Cross	15/229.13
3,220,040	11/1965	Knaebe	15/244.1
3,317,944	5/1967	Napier, Sr. et al.	15/244.1
5,312,197	5/1994	Abramson	15/210.1 X

OTHER PUBLICATIONS

Home Trends, Clean Keys Brush, top, right of p. 54, ©1997. Fuller Brush Catalog, Inc., Grill Brush—Item No. 11945A, p. 41, ©1988.

Primary Examiner—Alan P. Douglas
Assistant Examiner—Lavone D. Tabor
Attorney, Agent, or Firm—Titus & McConomy LLP

[57] CLAIM

An ornamental design for a grill brush, as shown and described.

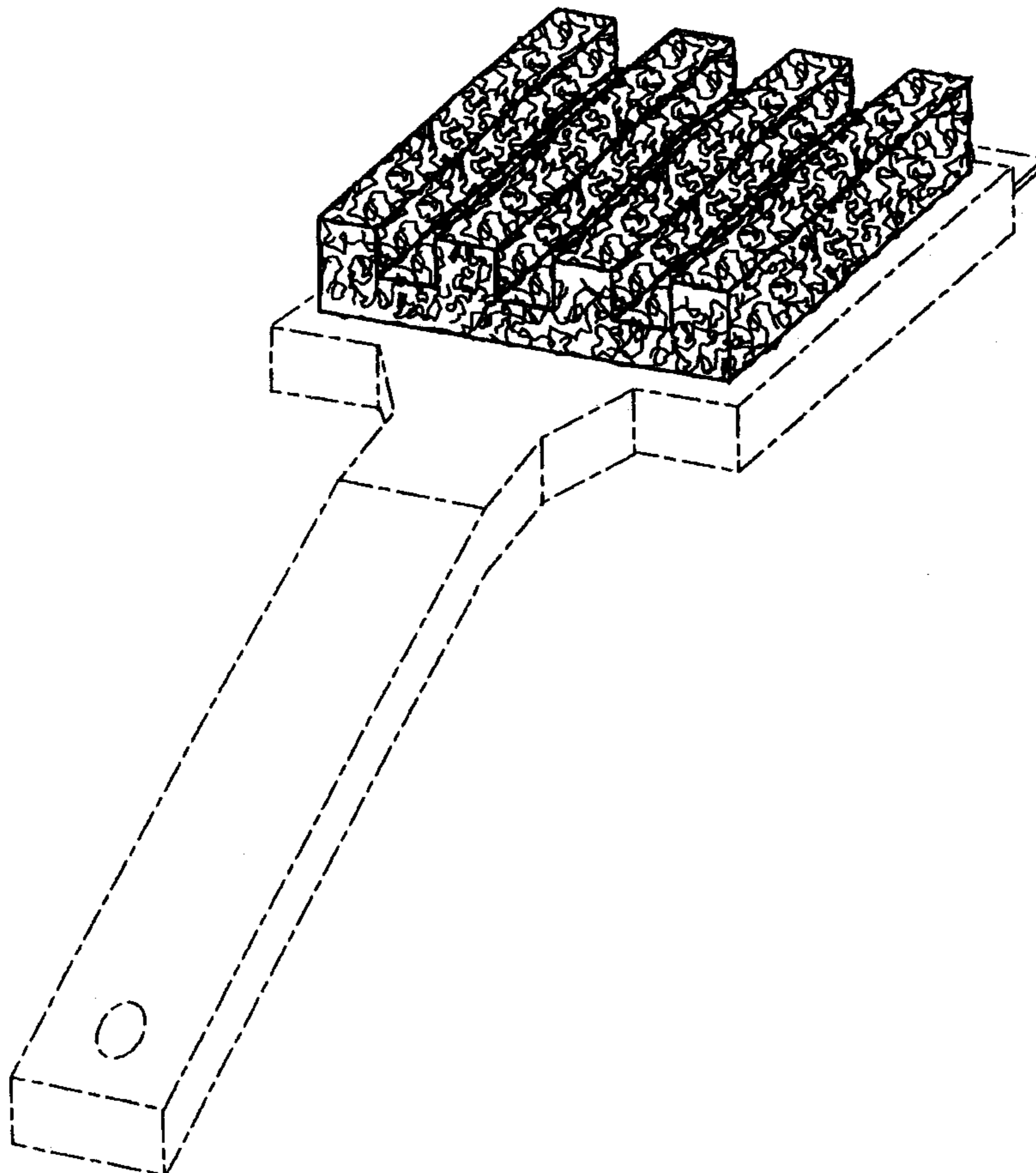
DESCRIPTION

FIG. 1 is a bottom perspective view of the novel grill brush; FIG. 2 is a side elevational view of the novel grill brush; FIG. 3 is a bottom plan view of the novel grill brush; FIG. 4 is a front elevational view of the novel grill brush; and, FIG. 5 is a rear elevational view of the novel grill brush.

The opposite side of FIG. 2 neither shown in the drawing nor described in the specification forms no part of the claimed design.

The broken lines are for illustrative purposes only and form no part of the claimed design.

1 Claim, 3 Drawing Sheets



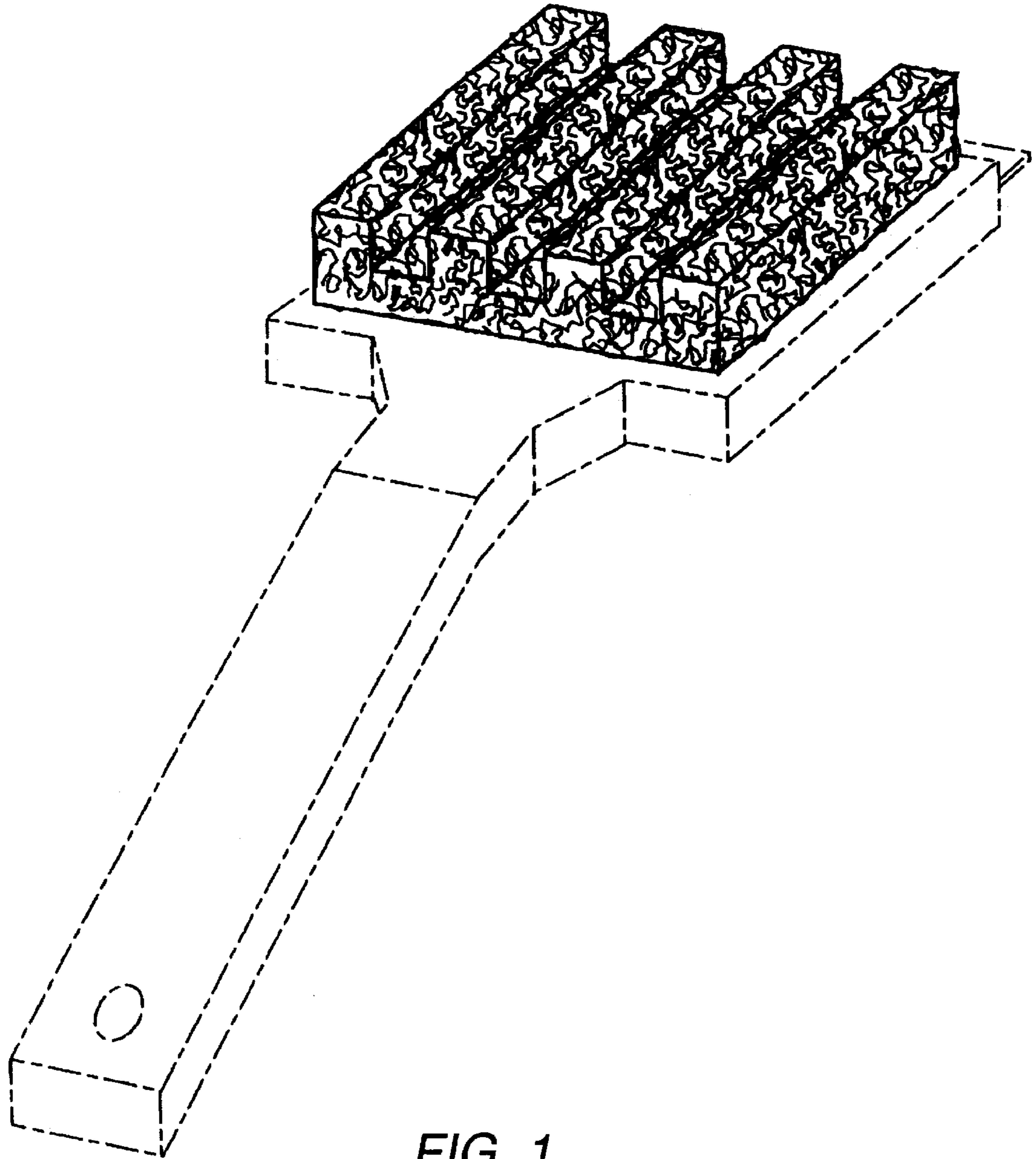
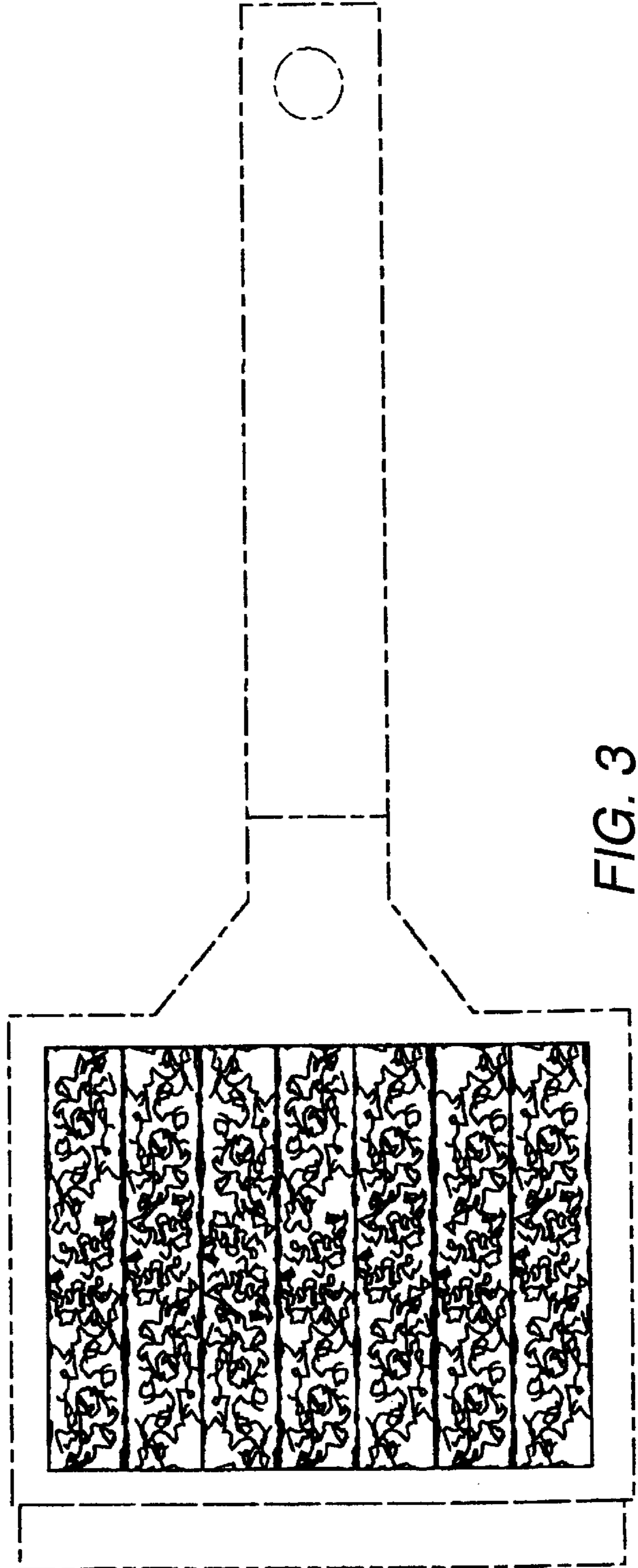
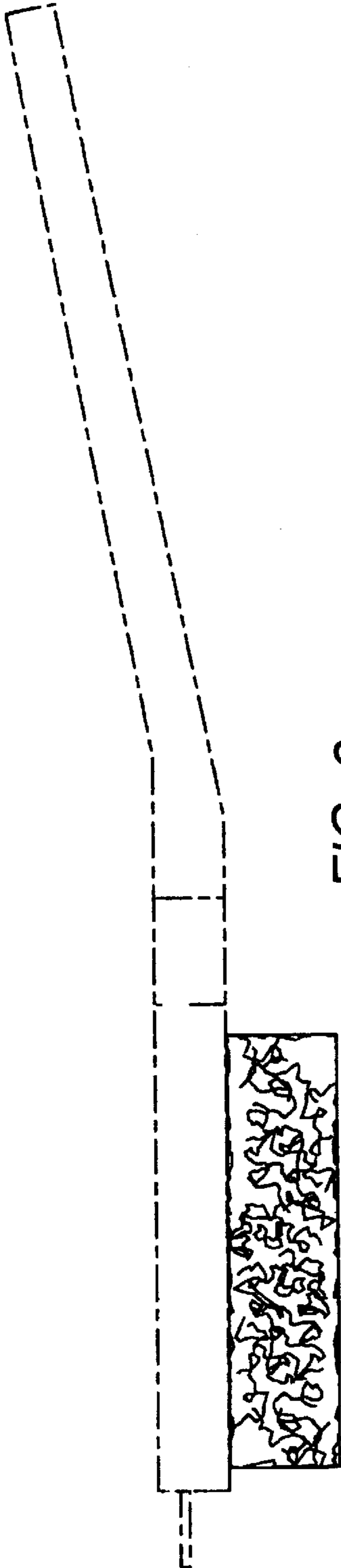


FIG. 1



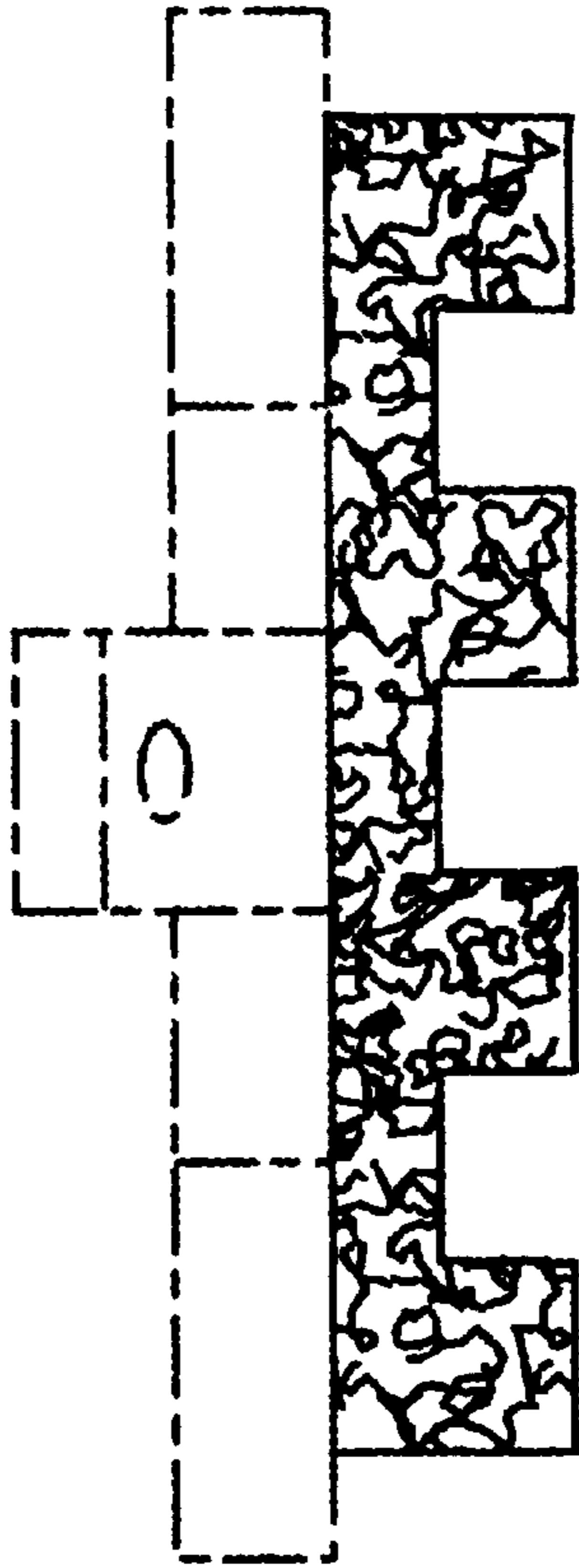


FIG. 4

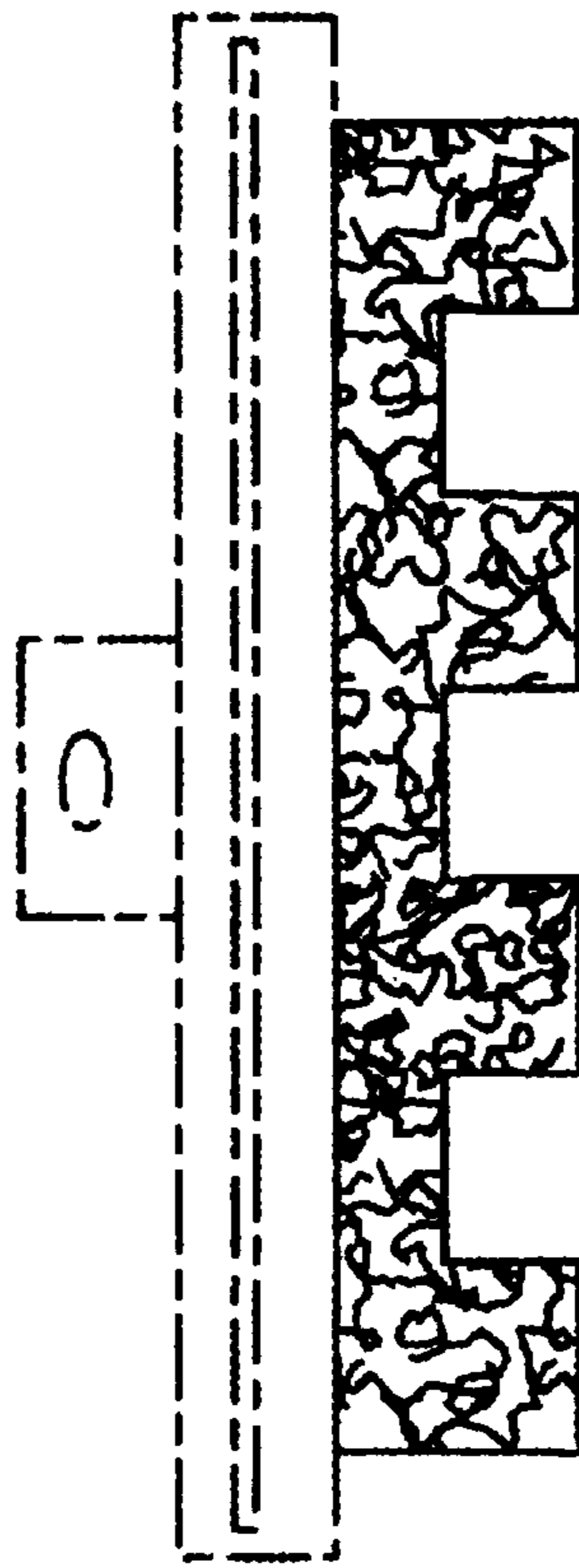


FIG. 5