



US00D417322S

United States Patent [19] Hollinger

[11] **Patent Number: Des. 417,322**

[45] **Date of Patent: ** Nov. 30, 1999**

[54] **SWIMMING POOL CLEANER HOUSING**

[75] Inventor: **Fred Hollinger**, Kings Park, N.Y.

[73] Assignee: **H-Tech, Inc.**, Wilmington, Del.

[**] Term: **14 Years**

[21] Appl. No.: **29/097,898**

[22] Filed: **Dec. 17, 1998**

[51] **LOC (6) Cl.** **15-05**

[52] **U.S. Cl.** **D32/1; D23/209; D32/24**

[58] **Field of Search** **D23/207-210; D32/1, 4; 210/416.2, 167, 169; D15/7**

[56] **References Cited**

U.S. PATENT DOCUMENTS

- D. 304,505 11/1989 Maier et al. .
- D. 325,452 4/1992 Gefter .
- D. 349,150 7/1994 Ruiz D23/209
- D. 361,178 8/1995 Piret .
- D. 376,450 12/1996 Campbell et al. .
- D. 384,782 10/1997 Gefter .
- D. 400,319 10/1998 Hofheins et al. D32/1

- 4,645,593 2/1987 Dunk et al. 210/169
- 4,776,953 10/1988 Frentzel .
- 5,105,496 4/1992 Gray, Jr. et al. .
- 5,351,355 10/1994 Chiniara .
- 5,412,826 5/1995 Raubenheimer .
- 5,810,999 9/1998 Bachand et al. 210/169

Primary Examiner—Robin V. Taylor
Attorney, Agent, or Firm—Selitto & Associates

[57] **CLAIM**

The ornamental design for a swimming pool cleaner housing, as shown and described.

DESCRIPTION

FIG. 1 is a front perspective view of a swimming pool cleaner housing showing my new design; FIG. 2 is a front elevational view thereof; FIG. 3 is a top plan view thereof; FIG. 4 is a right side elevational view, the left side being a mirror image of FIG. 4; FIG. 5 is a rear elevational view thereof; and, FIG. 6 is a bottom plan view thereof.

1 Claim, 6 Drawing Sheets

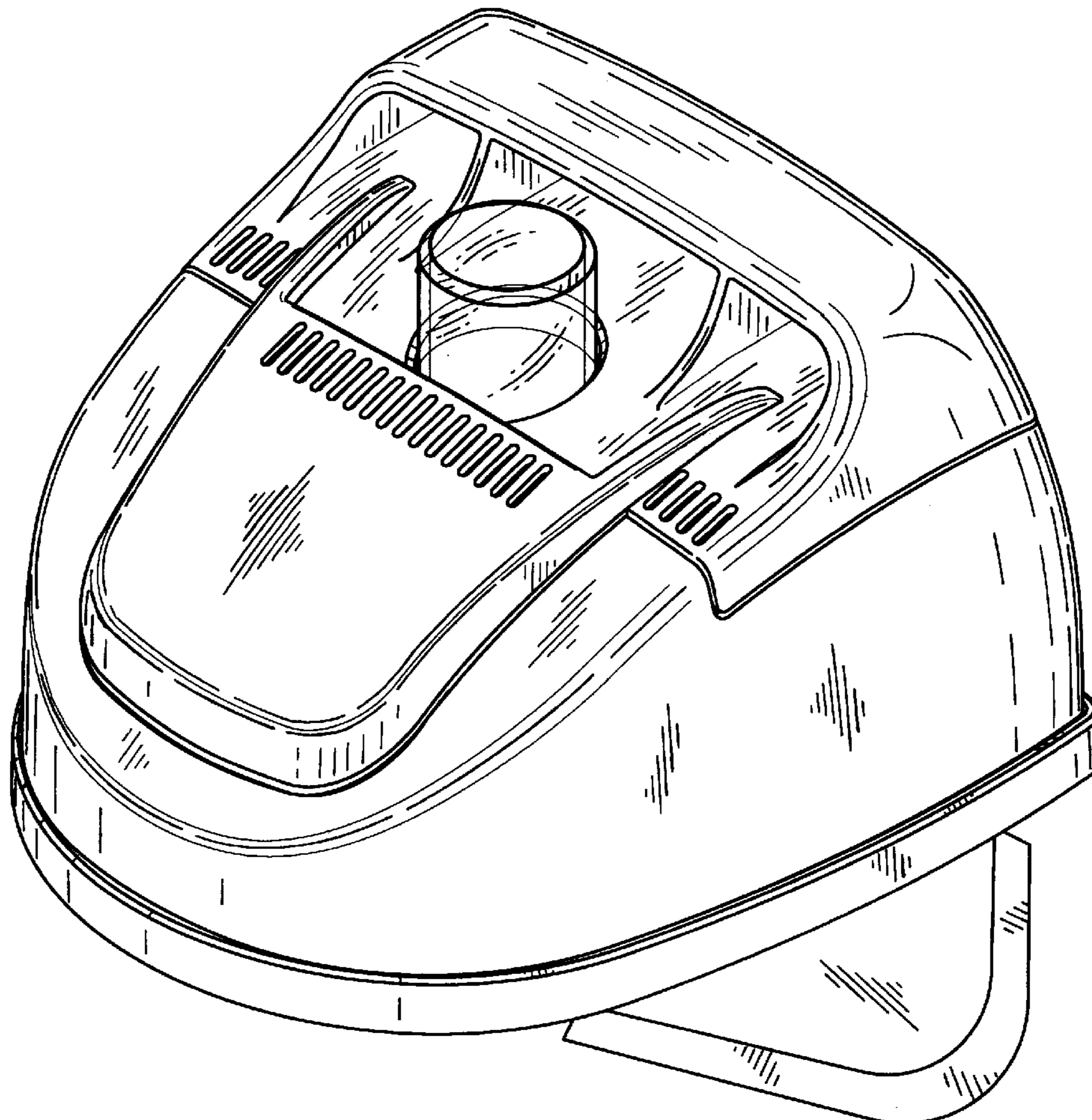


FIG. 1

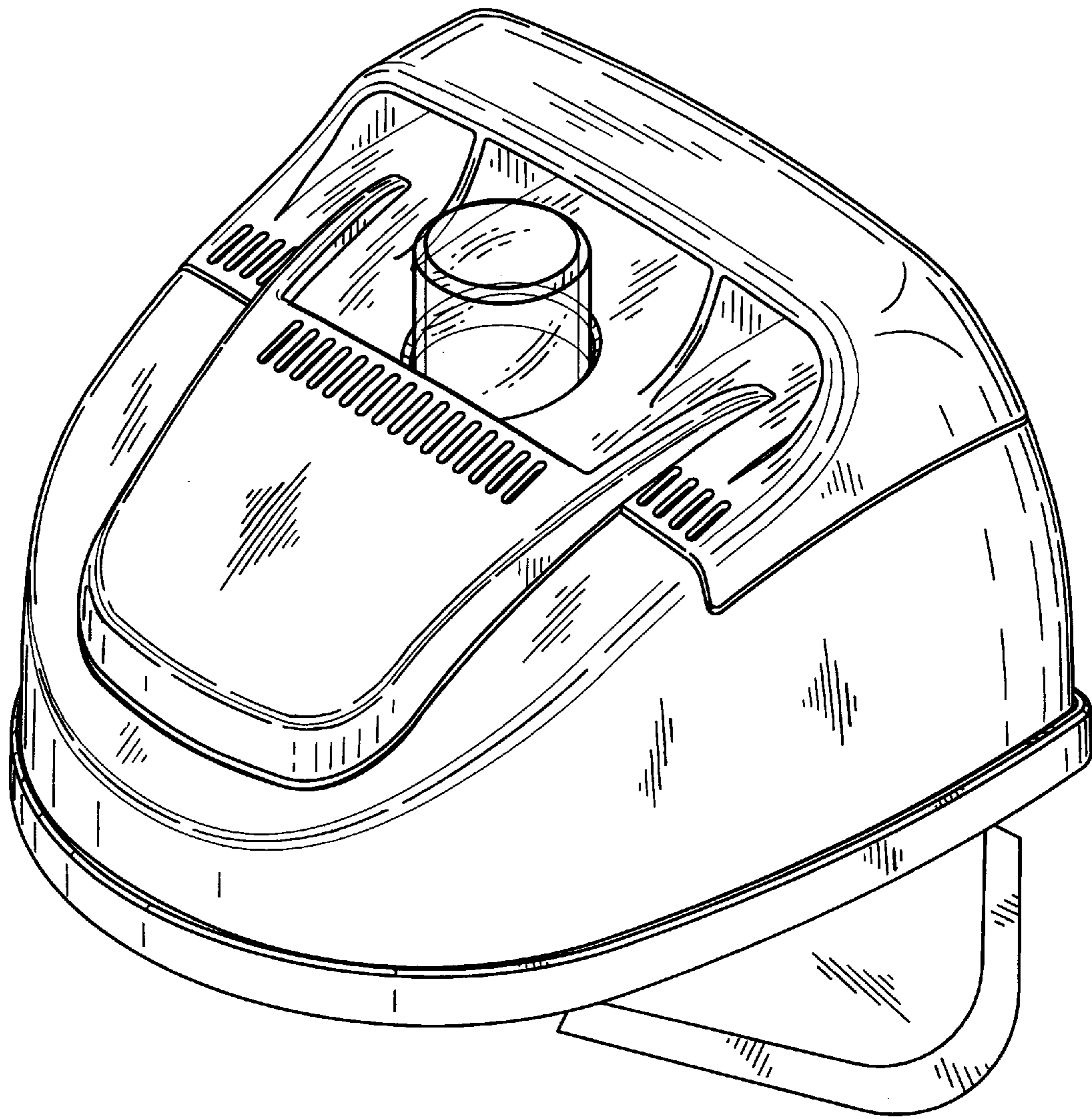


FIG. 2

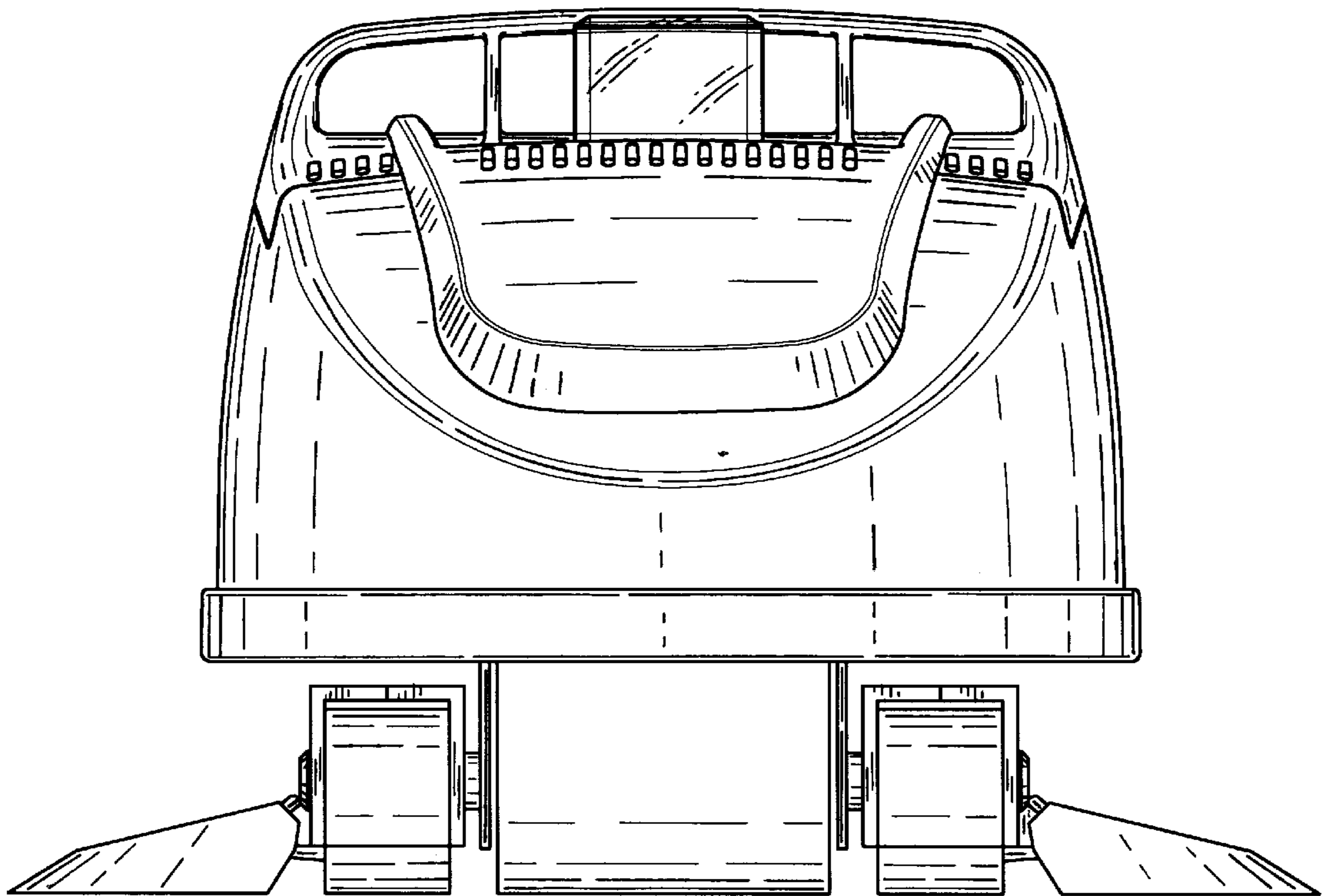


FIG. 3

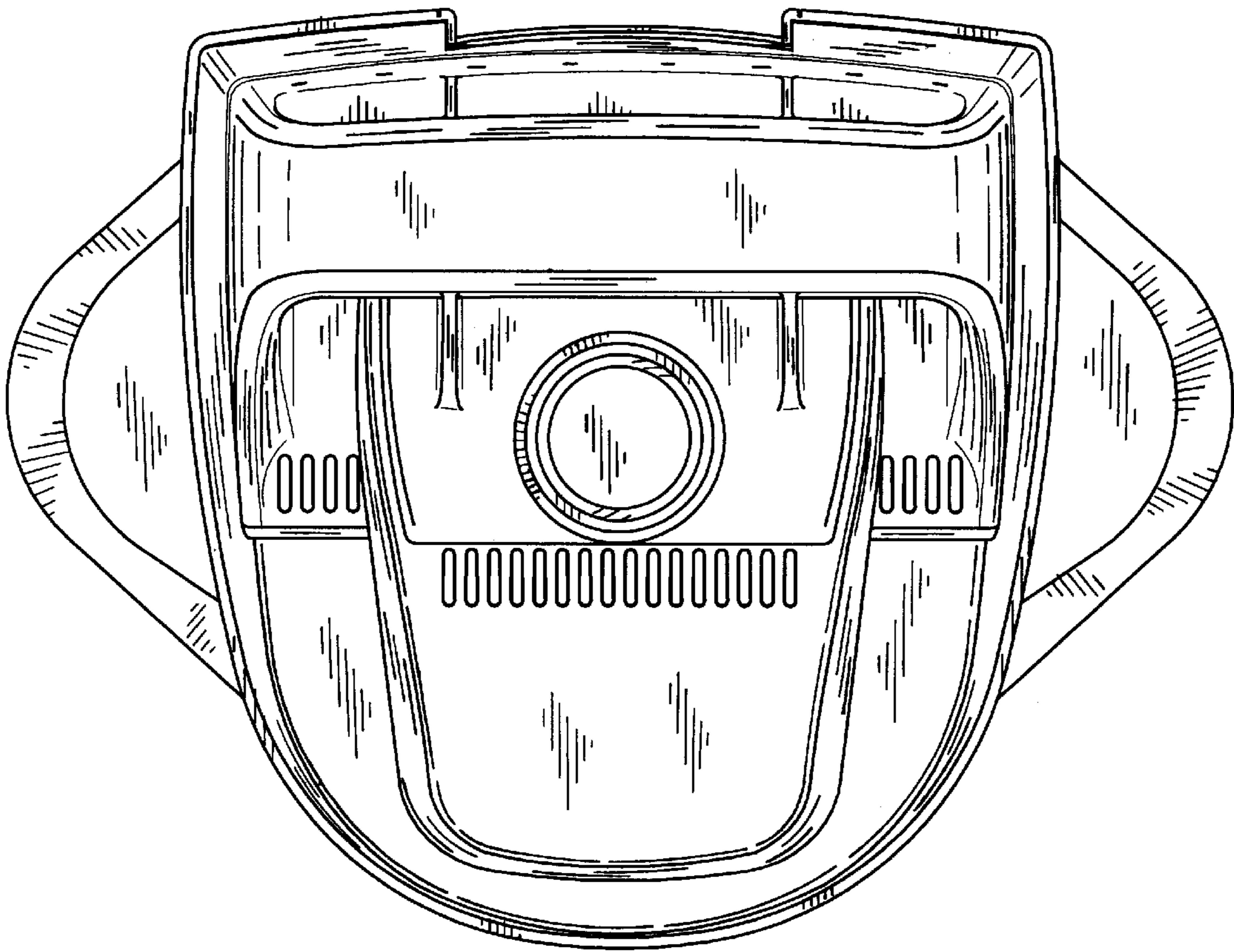


FIG. 4

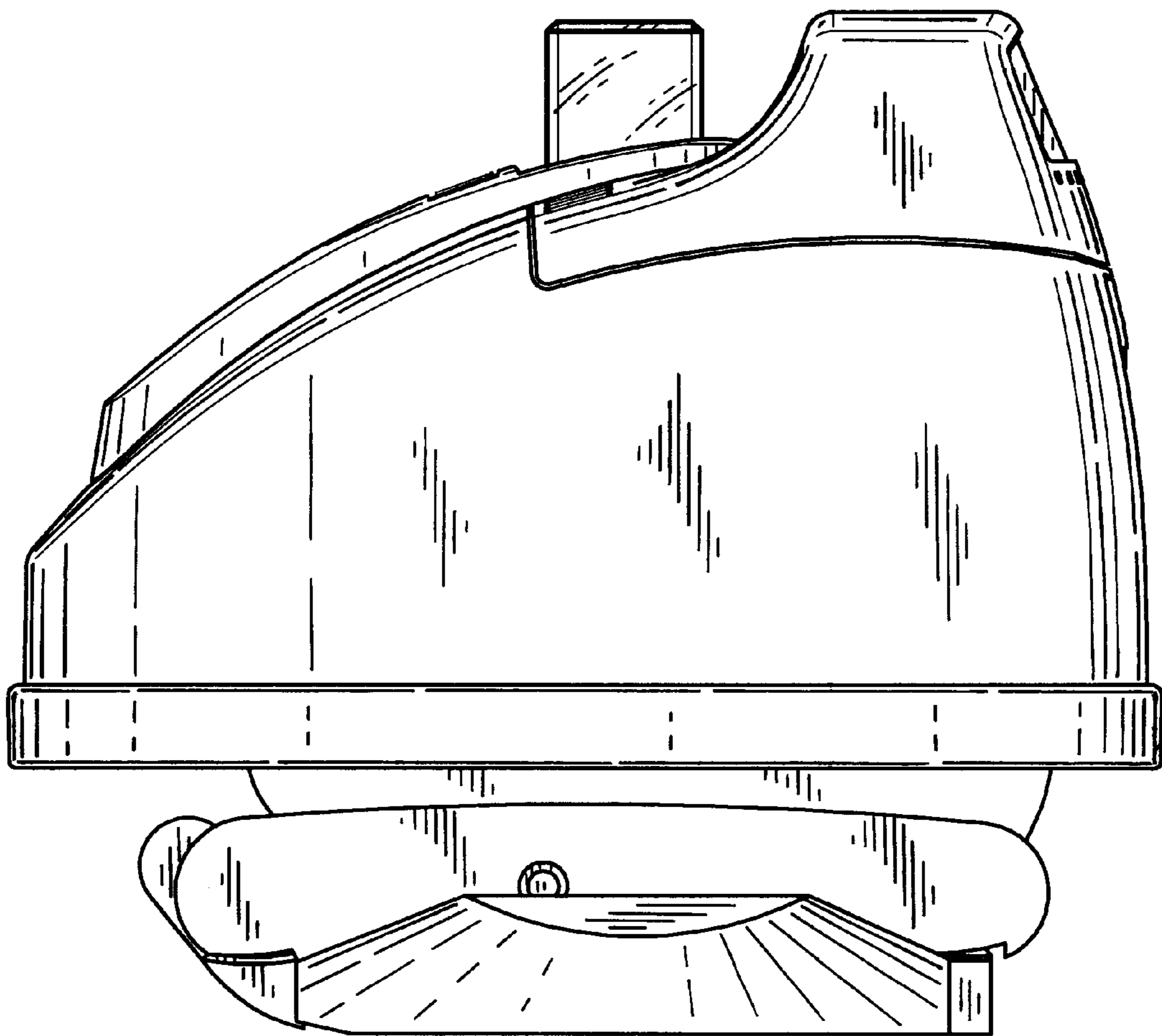


FIG. 5

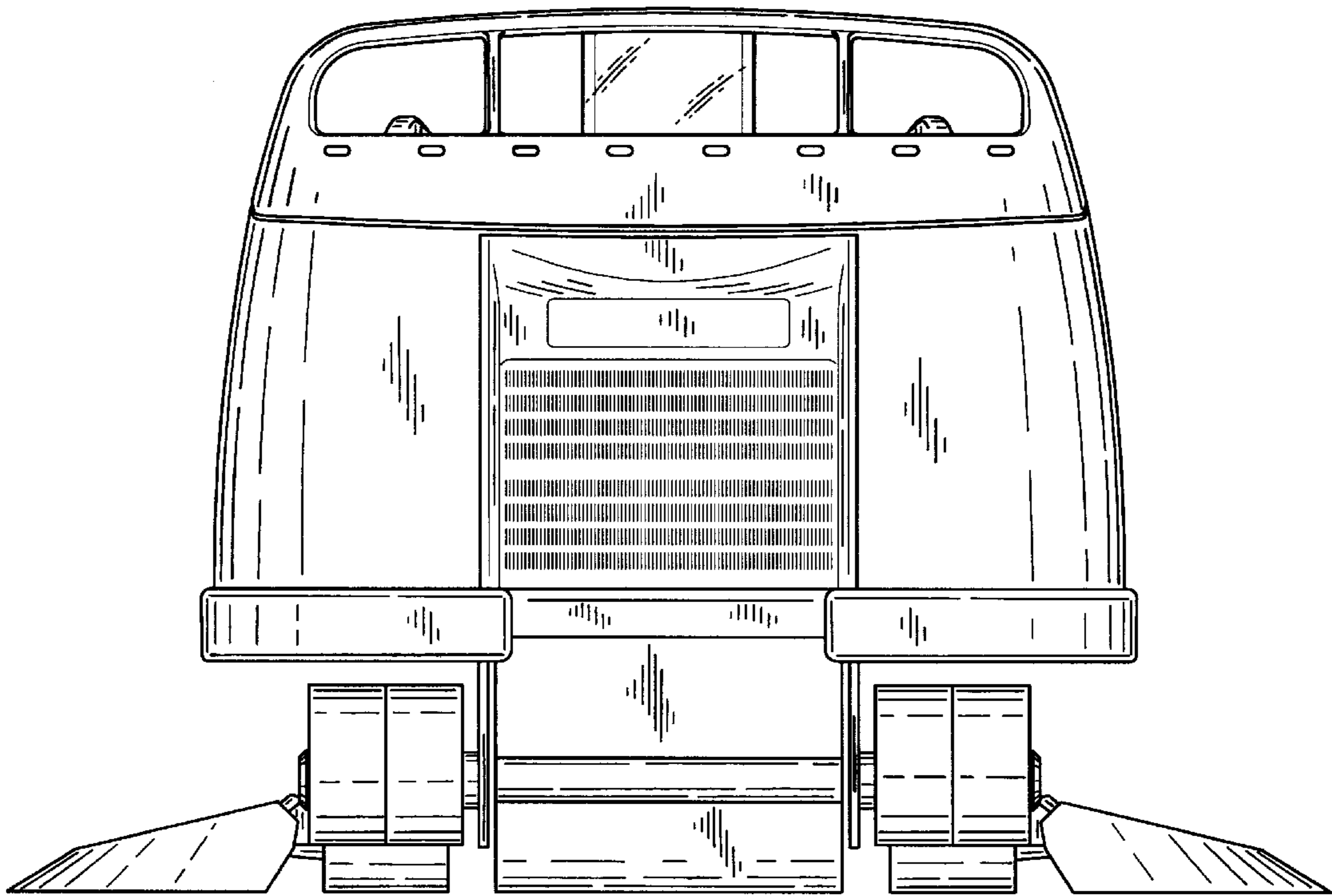


FIG. 6

