



US00D417320S

United States Patent [19] Nunez

[11] Patent Number: Des. 417,320

[45] Date of Patent: ** Nov. 30, 1999

[54] WASTE COLLECTION TOOL

[76] Inventor: **Juan Nunez**, 3165 Fulton St.,
Brooklyn, N.Y. 11208

[**] Term: **14 Years**

[21] Appl. No.: **29/079,436**

[22] Filed: **Nov. 17, 1997**

[51] LOC (6) Cl. **30-99**

[52] U.S. Cl. **D30/162; D8/10**

[58] Field of Search D30/162; 119/801,
119/858, 795; 294/1.3, 1.4, 55, 99.1, 99.2,
118-119; 248/101; D7/686, 687; D8/10,
13; 383/4

[56] **References Cited**

U.S. PATENT DOCUMENTS

D. 290,416	6/1987	Beuer	D30/162
D. 298,369	11/1988	Shun et al.	D30/162
D. 299,075	12/1988	Scott	D30/162
D. 312,898	12/1990	Roberts	D30/162
D. 391,132	2/1998	Gandee et al.	D8/13
655,245	8/1900	Kinberlin	294/55
3,777,708	12/1973	Vogt	D30/162
3,809,421	5/1974	James	D30/162
3,872,831	3/1975	Cassidy	248/101

3,937,509	2/1976	Hufnagel	294/55
3,977,422	8/1976	Cabaluna	D30/162
3,984,139	10/1976	Battaglia	294/1.4
4,103,953	8/1978	Lachance	294/1.4
5,131,704	7/1992	Li	294/1.4
5,320,393	6/1994	Cortinas	294/1.4
5,718,469	2/1998	Ockerman	248/101

Primary Examiner—Cathy Anne MacCormac
Attorney, Agent, or Firm—Goldstein & Canino

[57] **CLAIM**

The ornamental design for a waste collection tool, as shown and described.

DESCRIPTION

FIG. 1 is a perspective view of a waste collection tool showing my new design.

FIG. 2 is a front elevational view thereof.

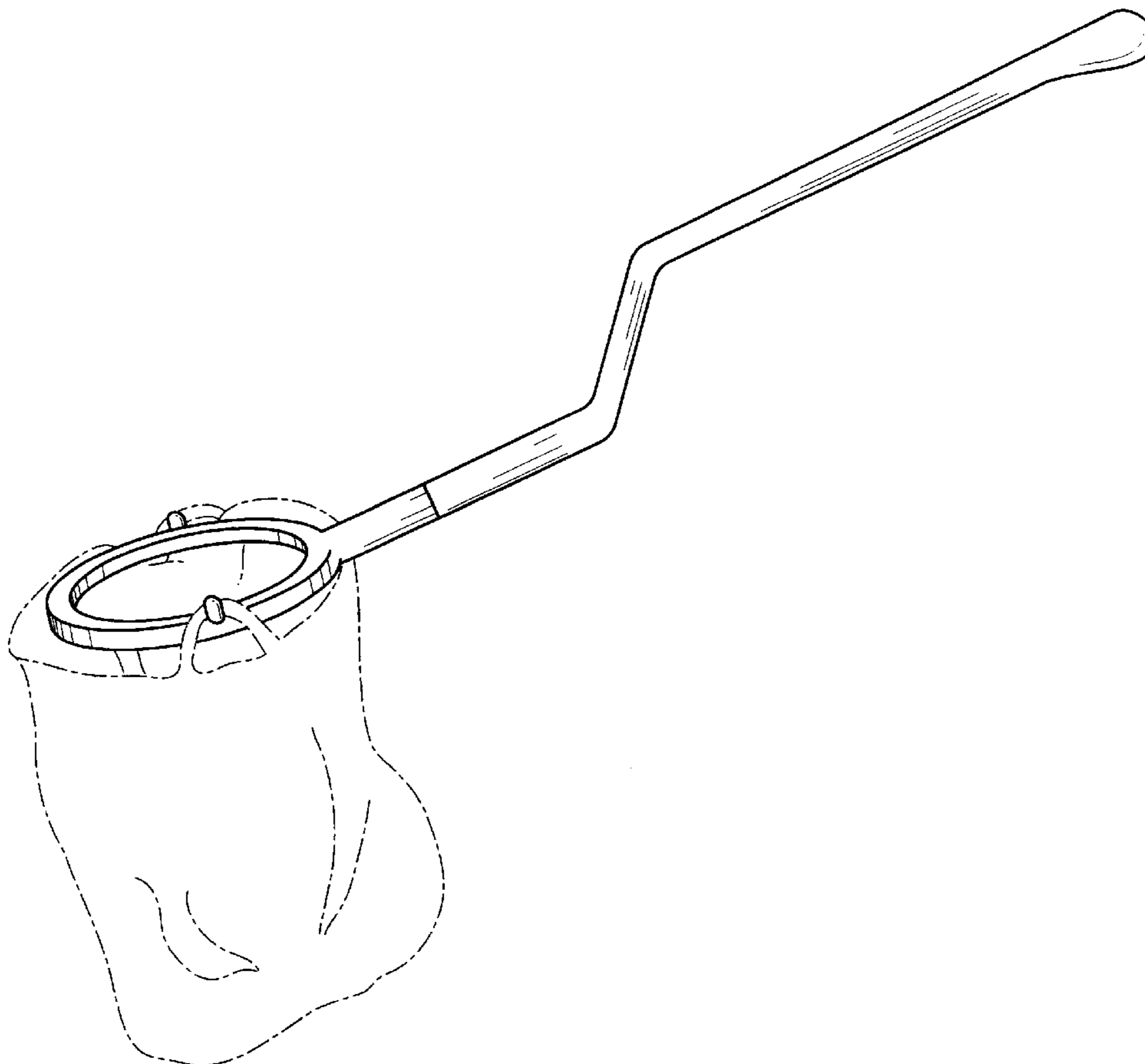
FIG. 3 is a rear elevational view thereof.

FIG. 4 is a right side elevational view thereof, the left side view being a mirror image of the right side view.

FIG. 5 is a top plan view of the waste collection device; and, FIG. 6 is a bottom plan view thereof.

The broken lines are for purposes of illustration only and forms no part of the claimed design.

1 Claim, 3 Drawing Sheets



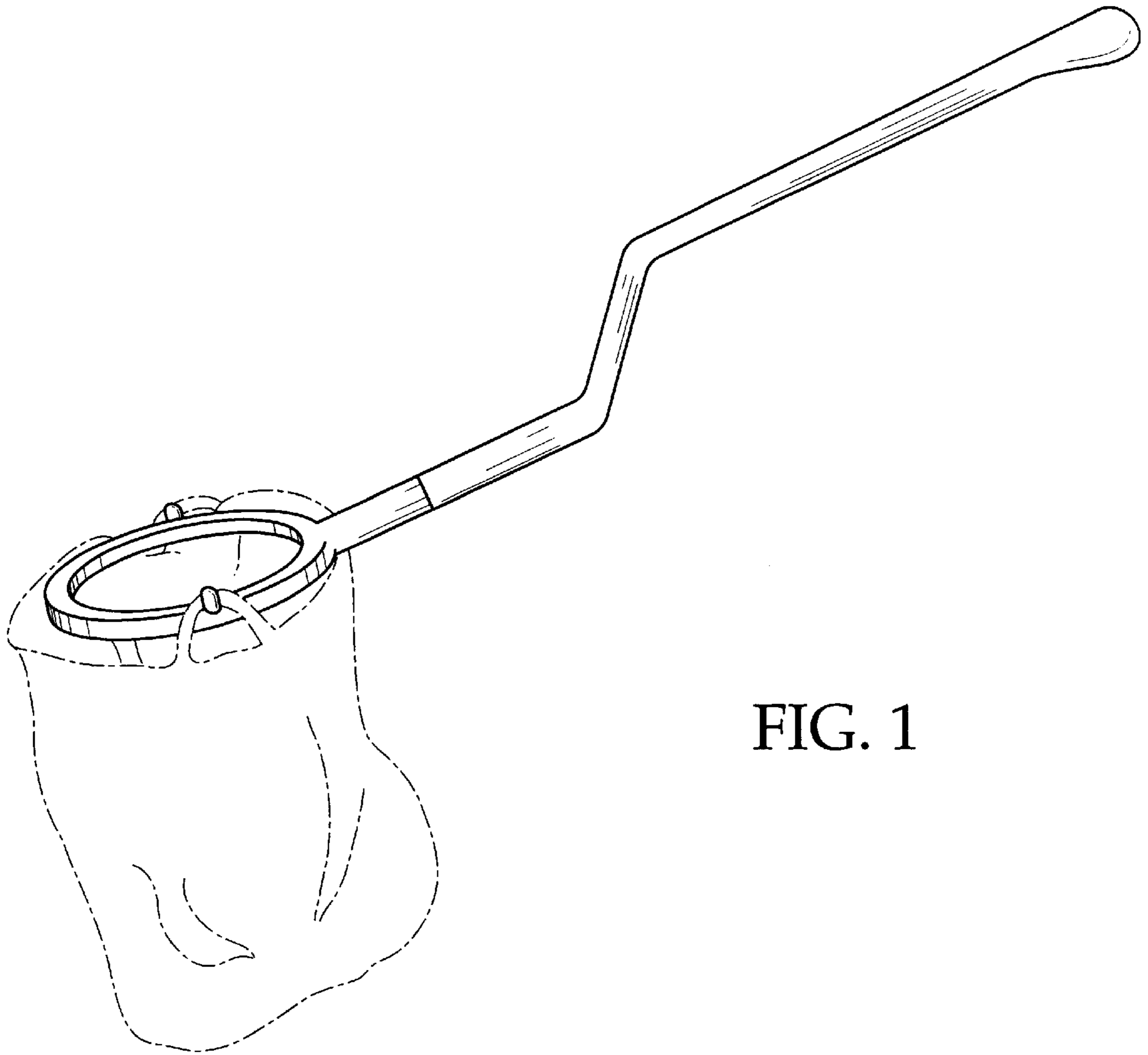


FIG. 1

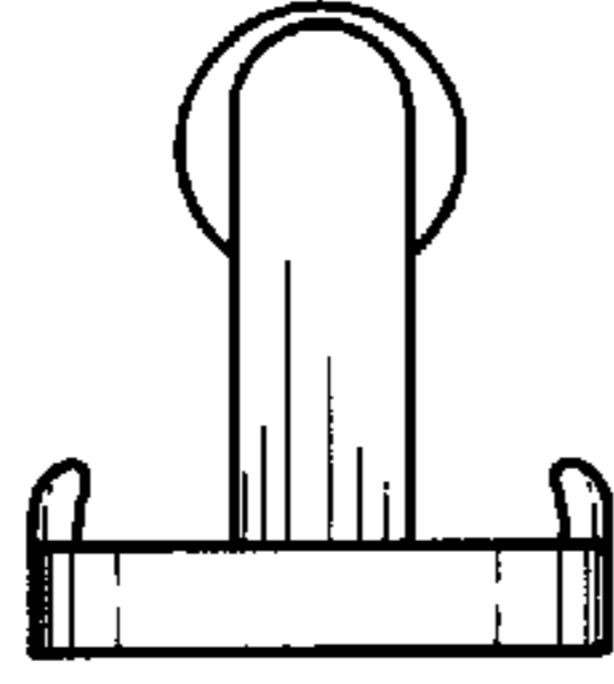


FIG. 2

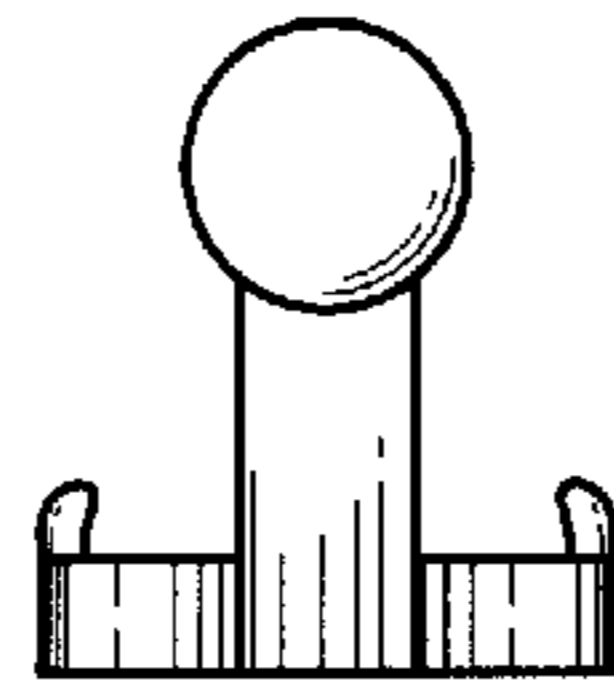


FIG. 3

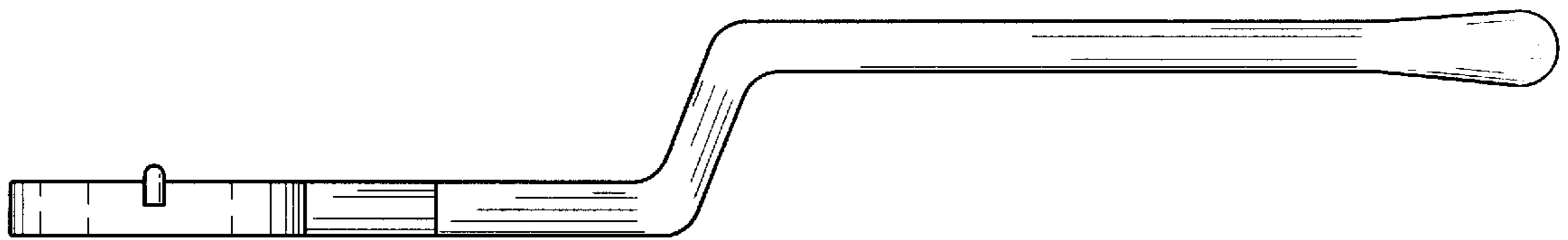


FIG. 4

FIG. 5

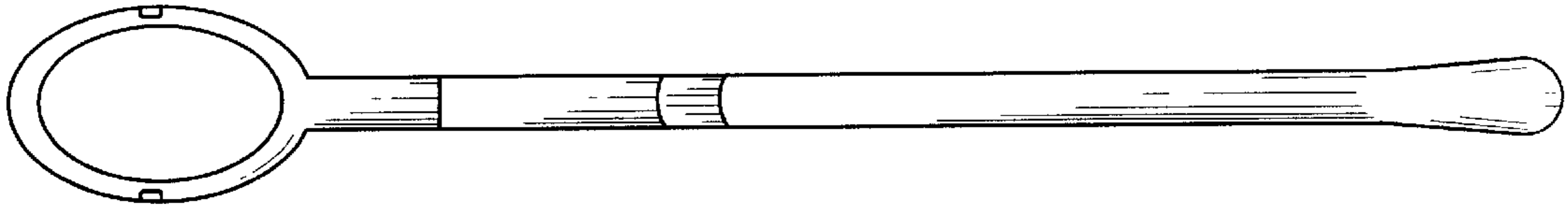


FIG. 6

