



US00D417308S

# United States Patent [19]

[11] **Patent Number: Des. 417,308**

**Barmes**

[45] **Date of Patent: \*\* Nov. 30, 1999**

[54] **RECTANGULAR SMOKING PIPE WITH ROTATABLE BOWL**

[75] Inventor: **Marvin L. Barmes**, Vincennes, Ind.

[73] Assignee: **Sandbar Wholesale Trust**, Vincennes, Ind.

[\*\*] Term: **14 Years**

[21] Appl. No.: **29/079,894**

[22] Filed: **Nov. 18, 1997**

[51] **LOC (6) Cl.** ..... **27-02**

[52] **U.S. Cl.** ..... **D27/163**

[58] **Field of Search** ..... 131/329, 330,  
131/222, 221, 226, 227, 178; D27/163,  
164, 165, 166, 167, 168, 169

[56] **References Cited**

**U.S. PATENT DOCUMENTS**

D. 229,362	11/1973	Browne	131/180
423,197	3/1890	Weldon	D27/165
2,391,548	12/1945	Comptois	131/211

**OTHER PUBLICATIONS**

Barmes Wholesale: *Tobacco Pipes & Smoking Accessories*, Catalog #12, ©1996 Barmes Wholesale, Sep. 6, 1996.

*Primary Examiner*—Susan J. Lucas  
*Assistant Examiner*—Jennifer Rivard  
*Attorney, Agent, or Firm*—Locke Reynolds LLP

[57] **CLAIM**

I claim the ornamental design for a rectangular smoking pipe with rotatable bowl, as shown and described.

**DESCRIPTION**

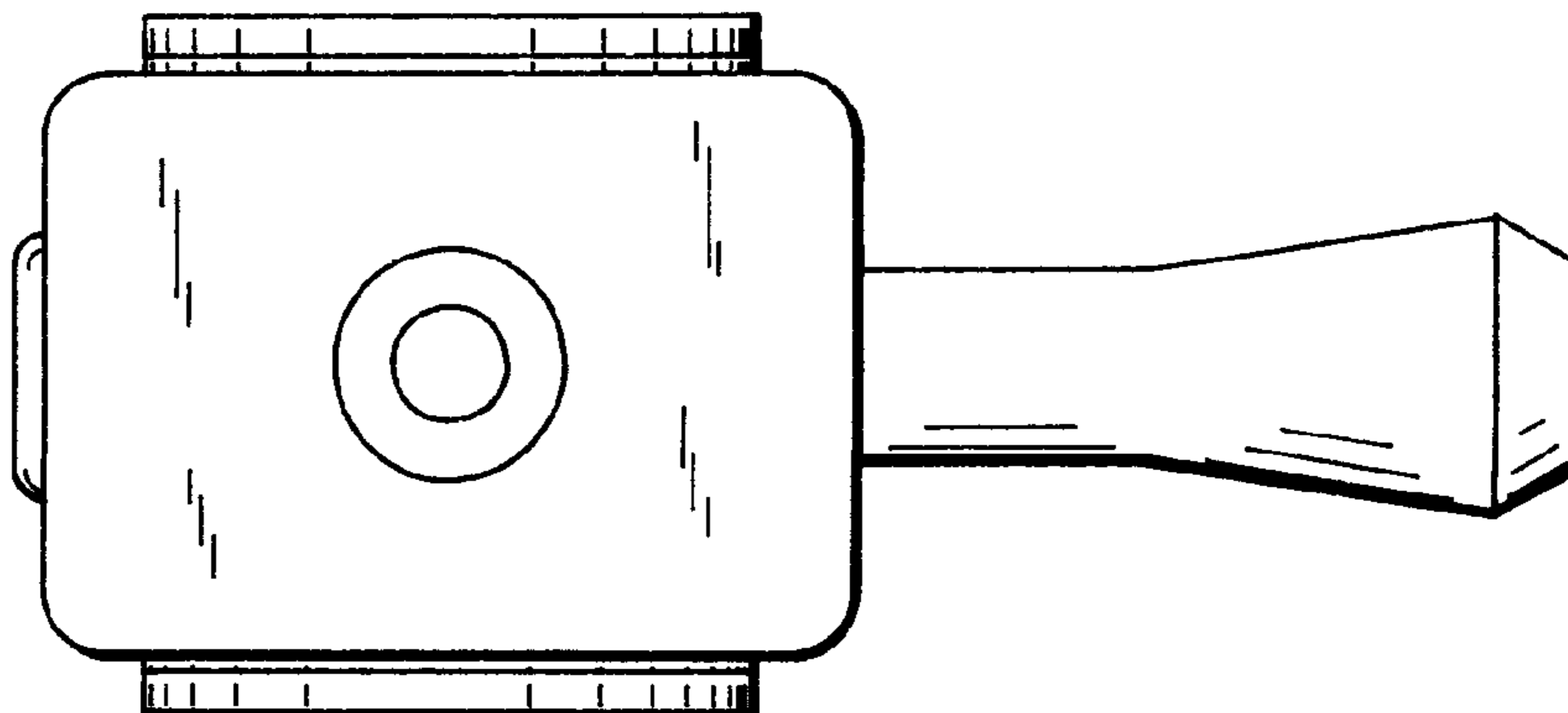
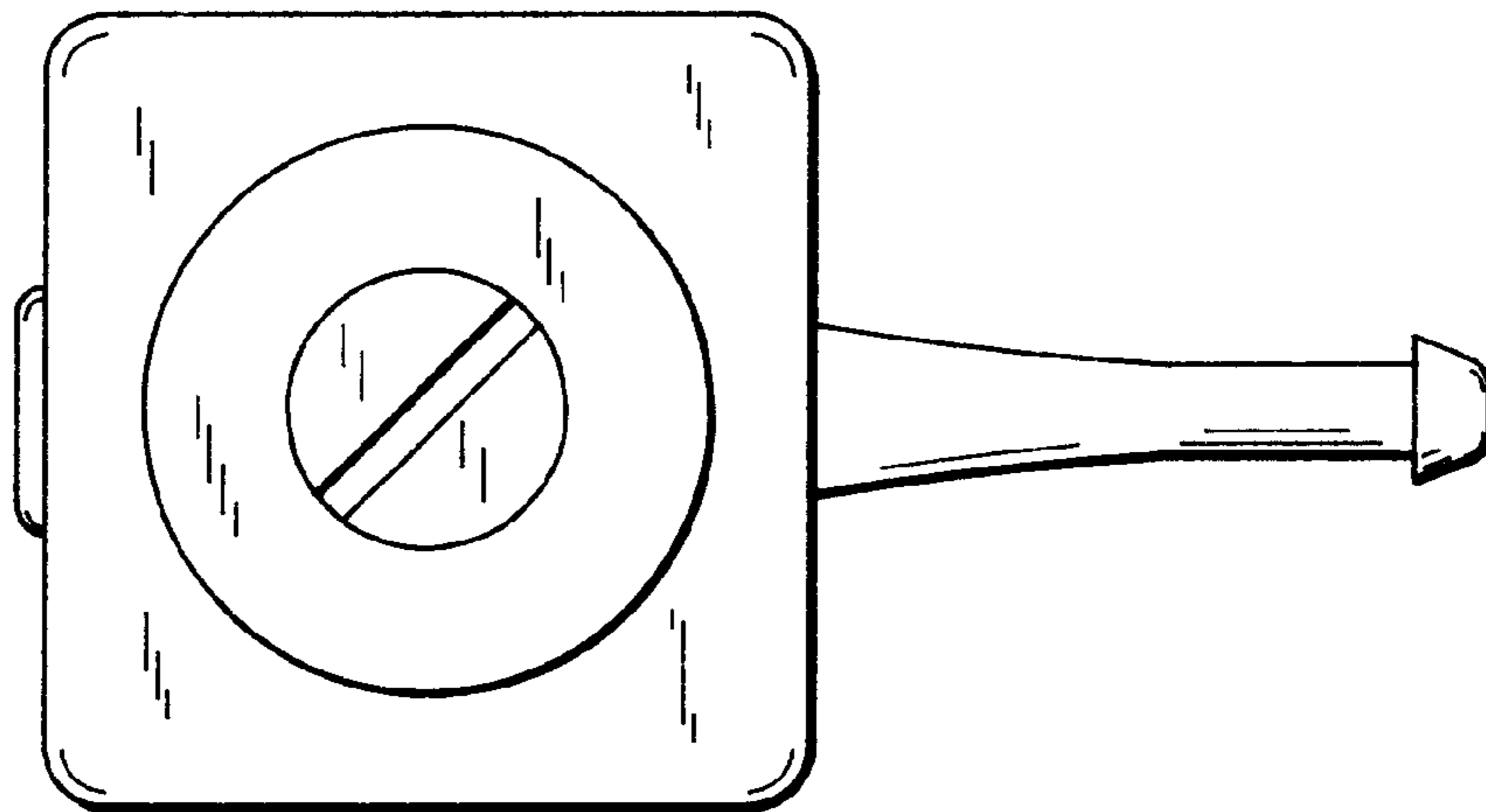
FIG. 1 is a side elevation view of a rectangular smoking pipe with rotatable bowl in accordance with my design, the opposite side being identical.

FIG. 2 is a top plan view of the rectangular smoking pipe with rotatable bowl shown in FIG. 1.

FIG. 3 is a bottom plan view of the rectangular smoking pipe with rotatable bowl shown in FIG. 1.

FIG. 4 is an end view from the right side of the rectangular smoking pipe with rotatable bowl shown in FIG. 1; and, FIG. 5 is an end view from the left side of the rectangular smoking pipe with rotatable bowl shown in FIG. 1.

**1 Claim, 2 Drawing Sheets**



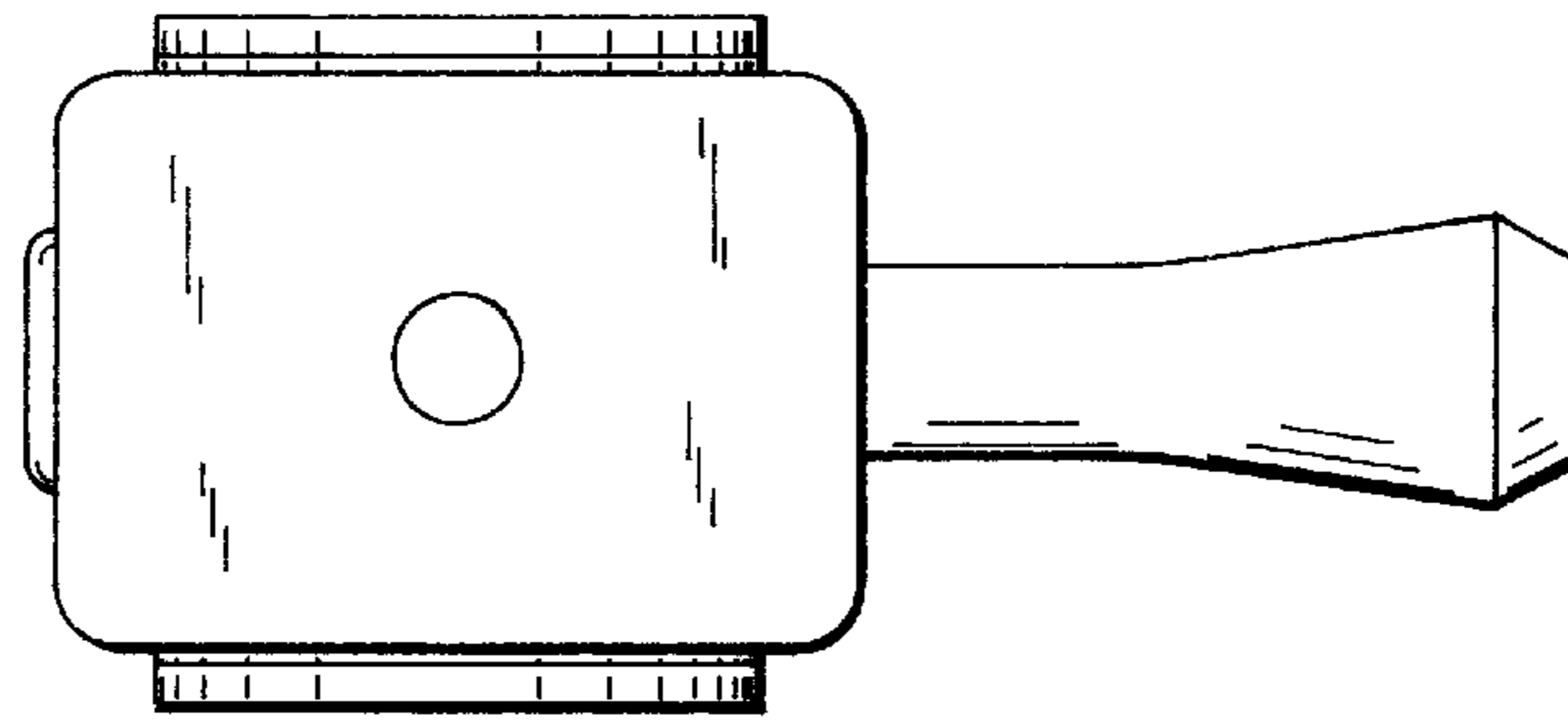


FIG. 3

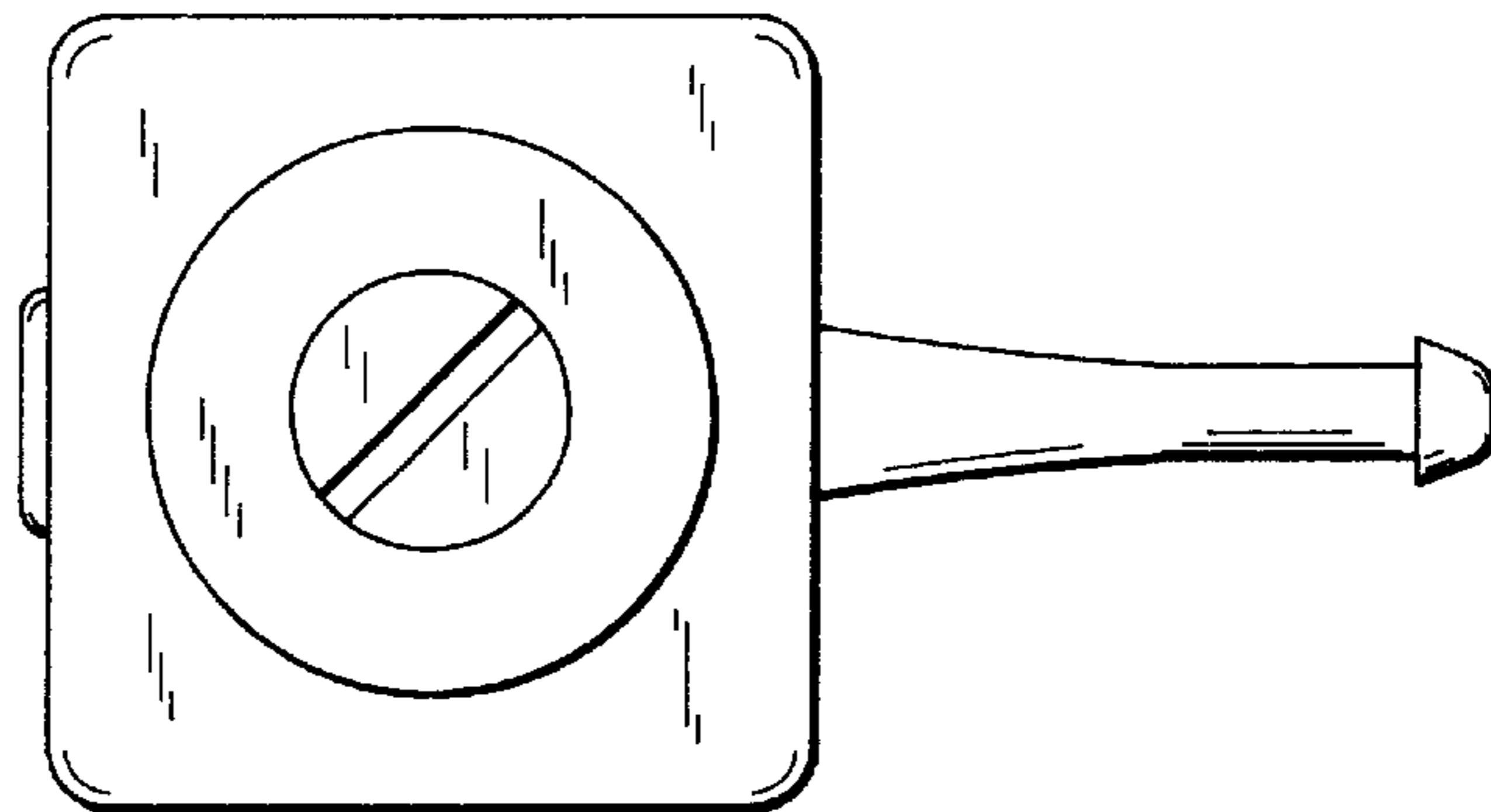


FIG. 1

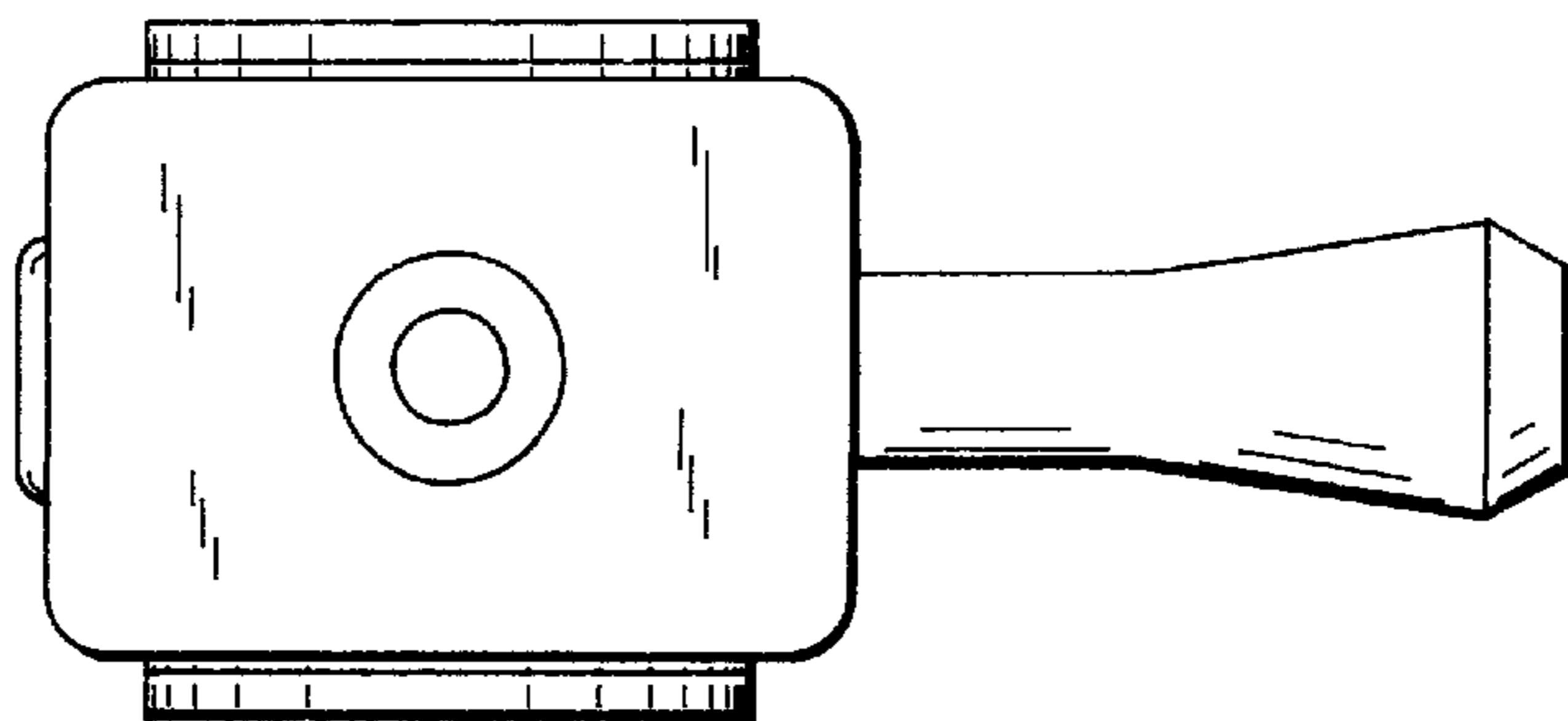


FIG. 2

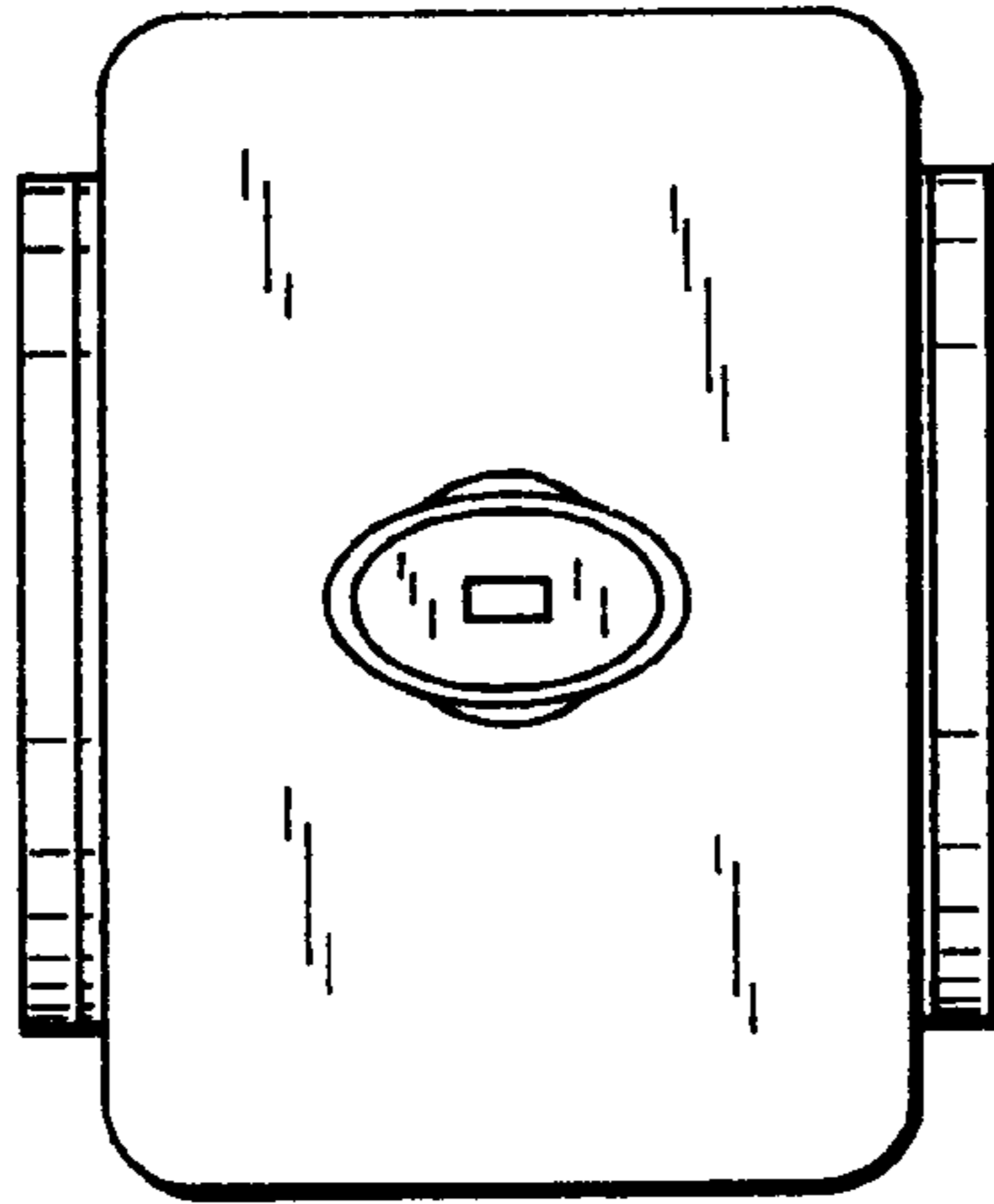


FIG. 4

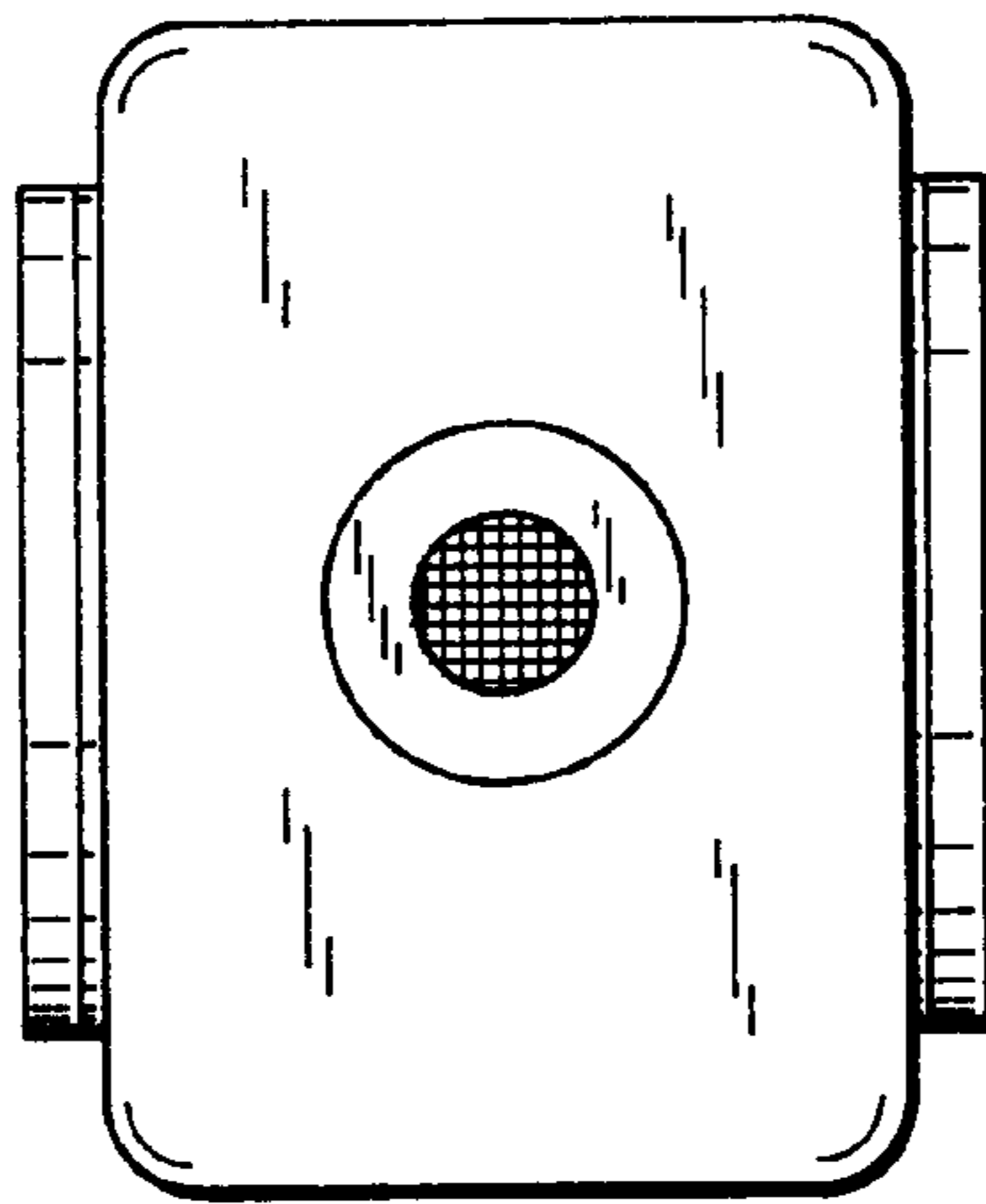


FIG. 5