



US00D417307S

United States Patent [19] Pahl

[11] **Patent Number: Des. 417,307**

[45] **Date of Patent: ** Nov. 30, 1999**

[54] **RECESSED LIGHTING FIXTURE TRIM**

D. 341,443 11/1993 Shapiro D26/118
D. 347,293 5/1994 Roos D26/118

[75] Inventor: **Scott Pahl**, San Leandro, Calif.

[73] Assignee: **Prescolite-Moldcast Lighting Company**, San Leandro, Calif.

Primary Examiner—Susan J. Lucas
Attorney, Agent, or Firm—Theodore J. Bielen, Jr.

[**] Term: **14 Years**

[57] CLAIM

[21] Appl. No.: **29/094,049**

The ornamental design for an recessed lighting fixture trim, as shown and described.

[22] Filed: **Sep. 24, 1998**

DESCRIPTION

[51] **LOC (6) Cl.** **26-99**

FIG. 1 is a bottom side perspective view showing my new design.

[52] **U.S. Cl.** **D26/118**

[58] **Field of Search** D26/74, 86, 118,
D26/88, 89, 90; 362/345, 354, 364, 365,
366, 404, 147, 240

FIG. 2 is a front elevational view, of the left side, right side, and rear side views being identical thereto.

FIG. 3 is a bottom plan view; and,

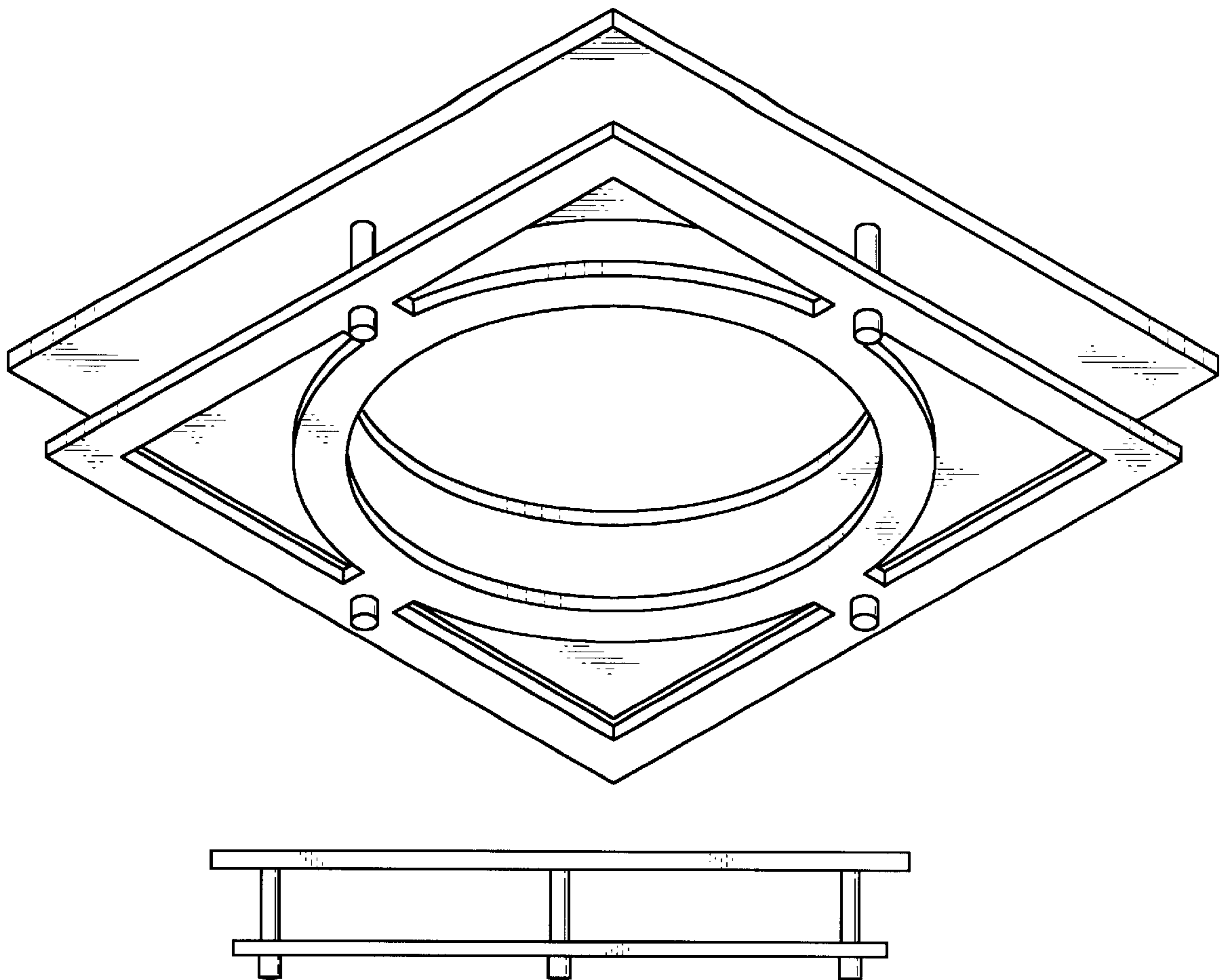
FIG. 4 is a top plan view, thereof.

[56] References Cited

U.S. PATENT DOCUMENTS

D. 132,865 6/1942 Drollinger D26/88

1 Claim, 2 Drawing Sheets



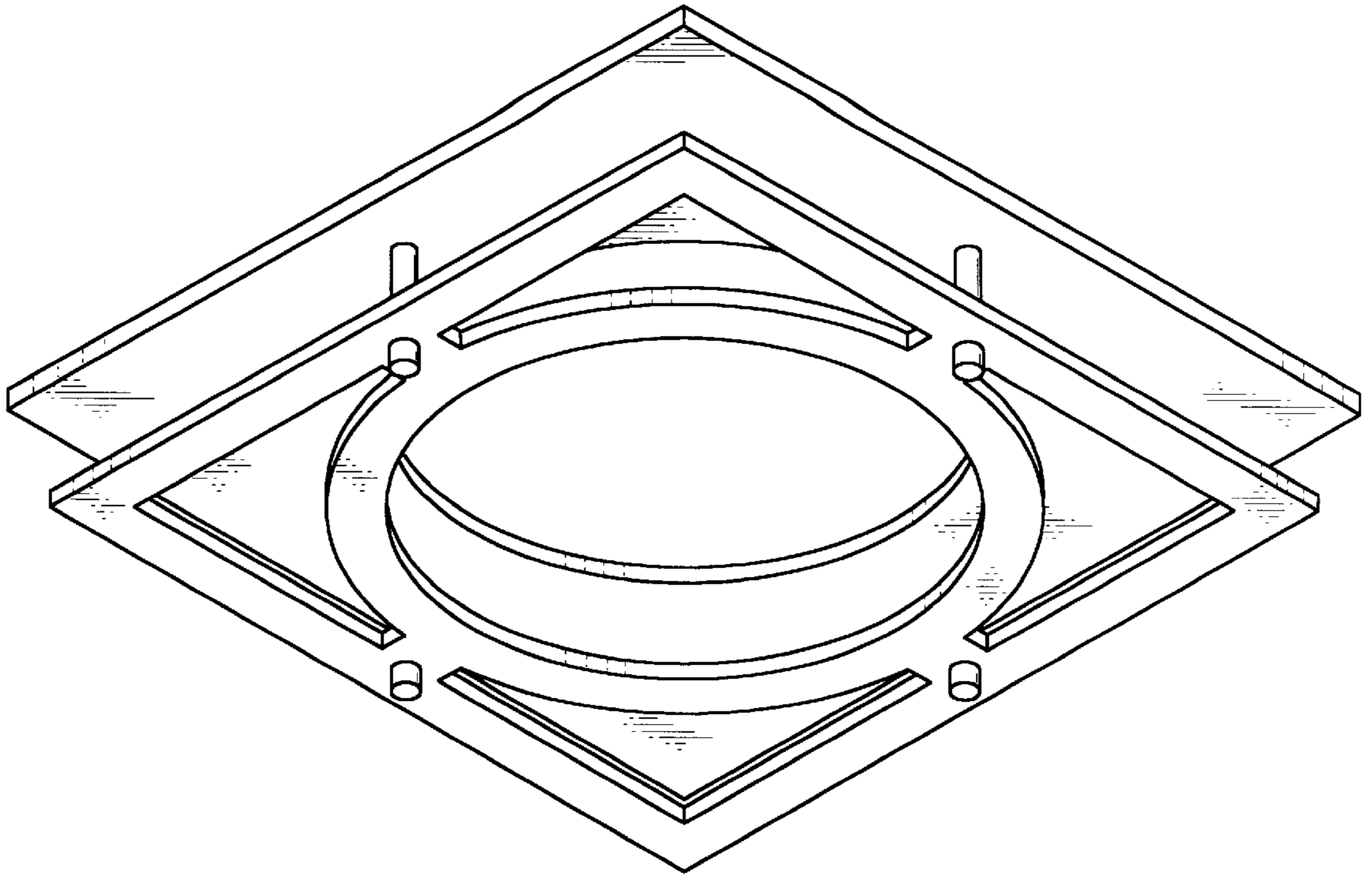


FIG. 1

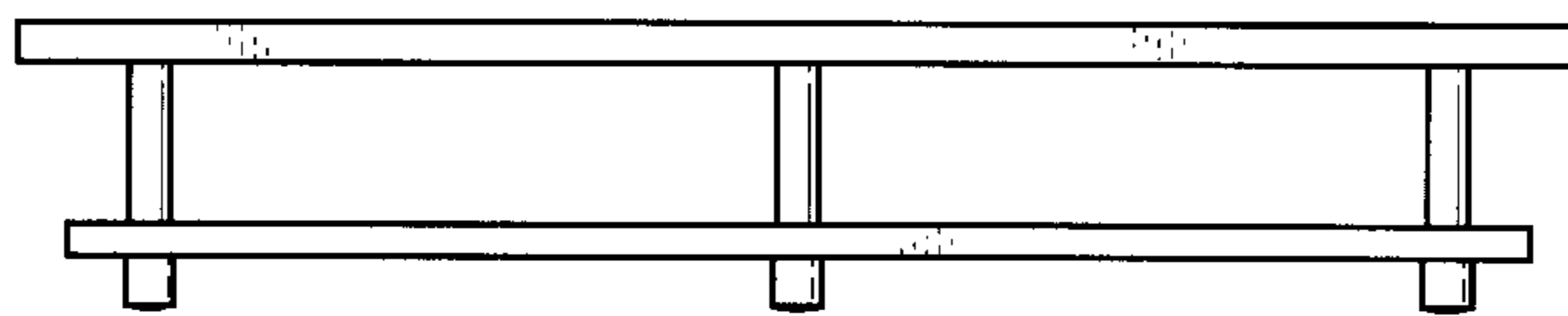


FIG. 2

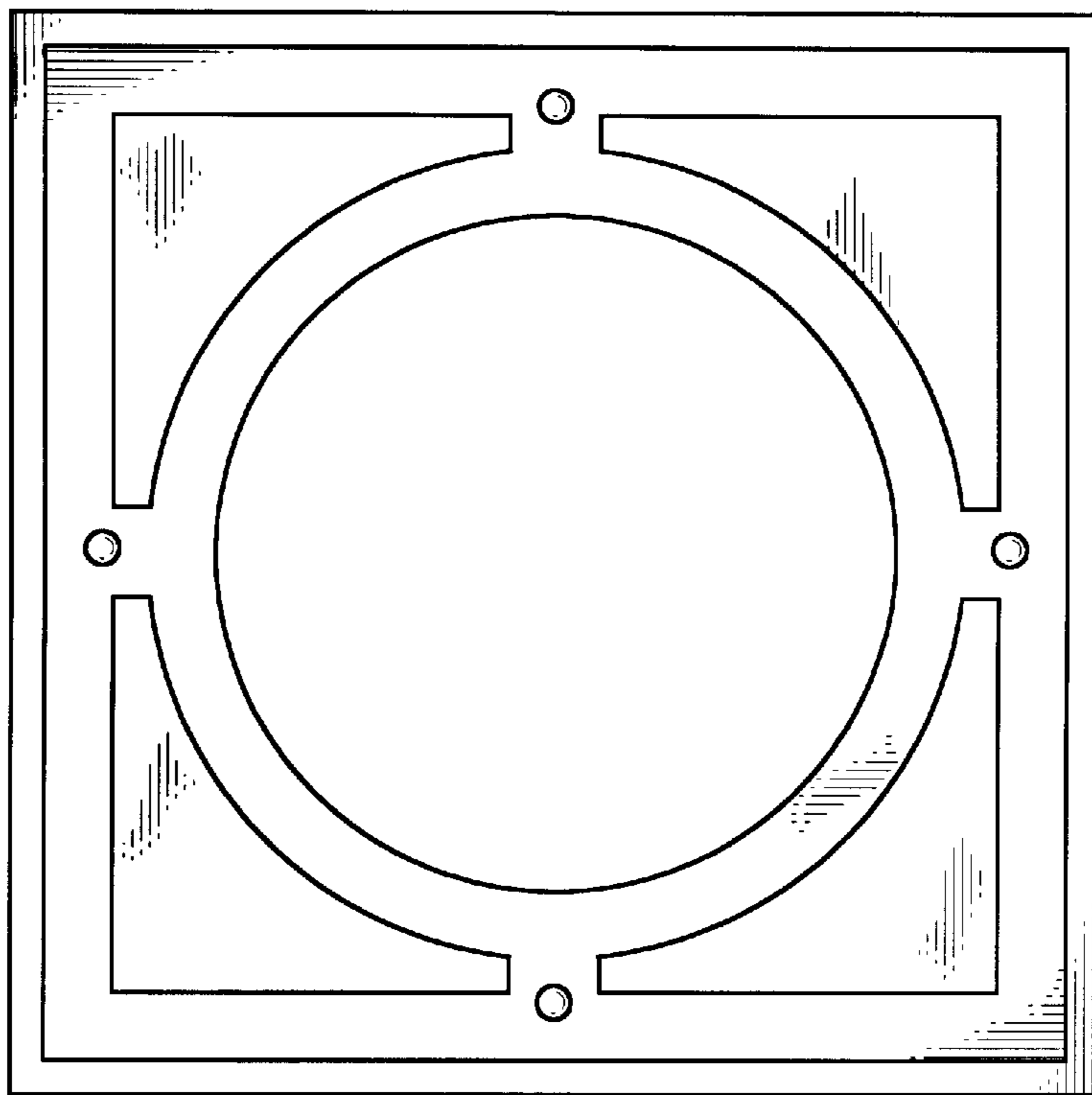


FIG. 3

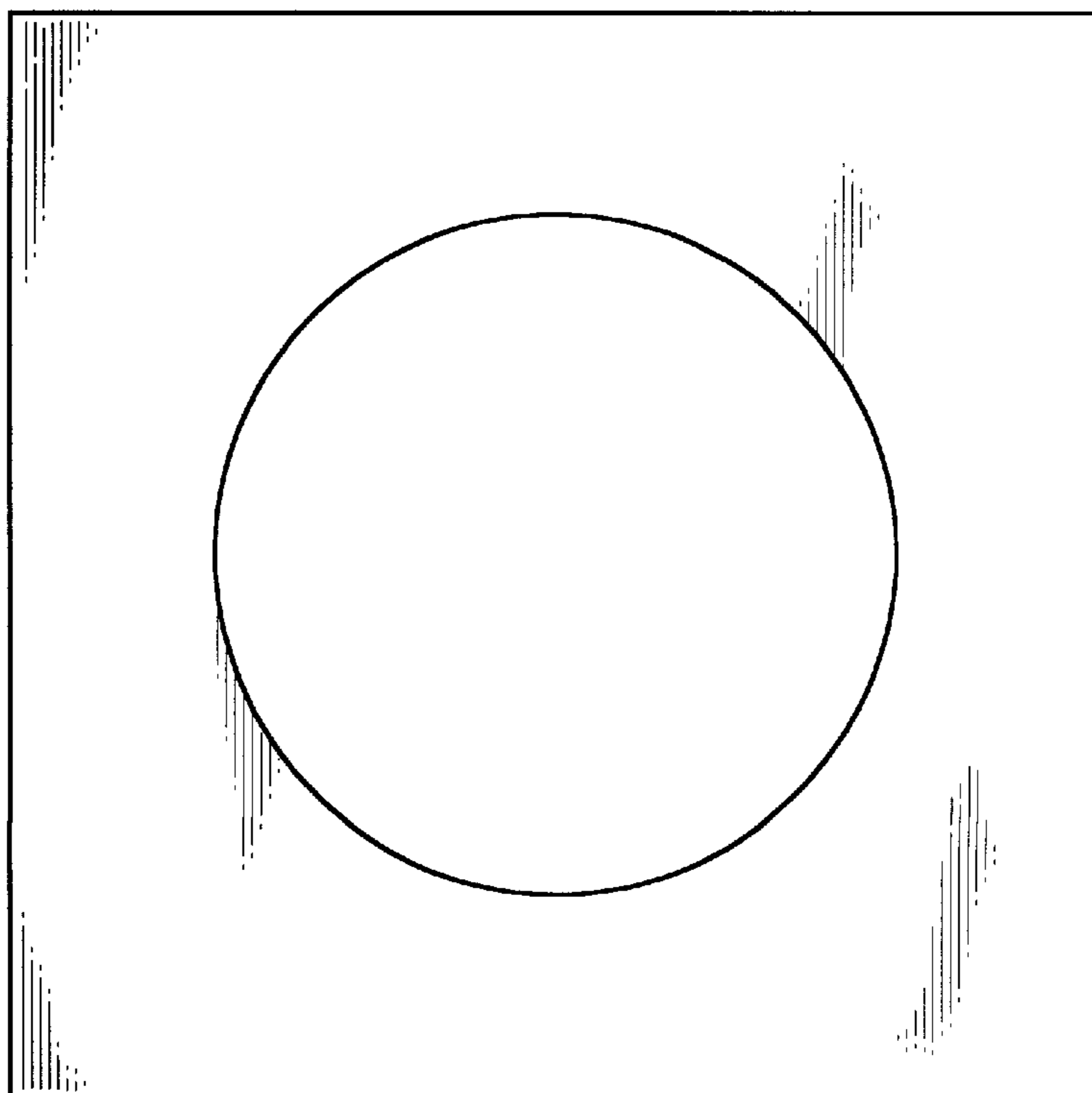


FIG. 4