



US00D417303S

United States Patent [19]
Rahn

[11] **Patent Number: Des. 417,303**

[45] **Date of Patent: ** Nov. 30, 1999**

[54] **LIGHTING FIXTURE**

[75] Inventor: **Erhard Rahn**, Berlin, Germany

[73] Assignee: **Franz Sill GmbH**, Berlin, Germany

[**] Term: **14 Years**

[21] Appl. No.: **29/083,491**

[22] Filed: **Feb. 11, 1998**

[51] **LOC (6) Cl.** **26-05**

[52] **U.S. Cl.** **26/67; 26/63**

[58] **Field of Search** D26/67-71, 24,
D26/61, 64, 66, 63; 362/269, 427, 432,
431, 418, 419

[56] **References Cited**

U.S. PATENT DOCUMENTS

D. 391,382	2/1998	Rahn	D26/63
3,712,978	1/1973	Lowell	362/18 X
5,477,443	12/1995	Cvek	362/419 X

OTHER PUBLICATIONS

Domus, Ads-p. 46, spot light, Group 2900, Dec. 1988.

Primary Examiner—Susan J. Lucas
Attorney, Agent, or Firm—McGlew and Tuttle

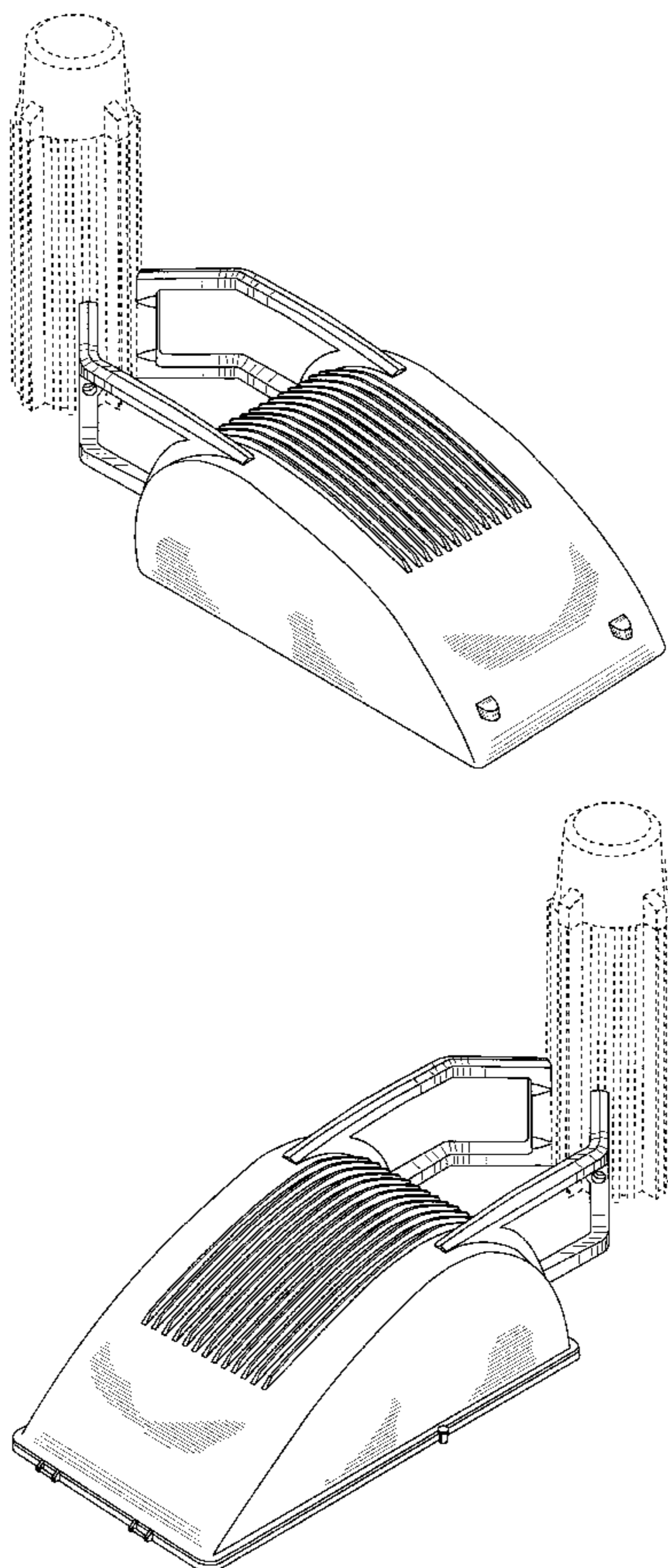
[57] **CLAIM**

The ornamental design for a lighting fixture, as shown and described.

DESCRIPTION

FIG. 1 is a perspective view of the first embodiment of the invention showing the new design;
 FIG. 2 is a right side view of the first embodiment of the present invention;
 FIG. 3 is a left side view of the first embodiment of the present invention;
 FIG. 4 is a top view of the first embodiment of the present invention;
 FIG. 5 is a bottom view of the first embodiment of the present invention;
 FIG. 6 is a front view of the first embodiment of the present invention;
 FIG. 7 is a rear view of the first embodiment of the present invention;
 FIG. 8 is a perspective view of a second embodiment of the present invention showing the new design;
 FIG. 9 is a right side view of the second embodiment;
 FIG. 10 is a left side view of the second embodiment;
 FIG. 11 is a top view of the second embodiment;
 FIG. 12 is a bottom view of the second embodiment;
 FIG. 13 is a front view of the second embodiment; and,
 FIG. 14 is a rear view of the second embodiment.
 The pole is shown in broken lines for illustrative purposes only and forms no part of the claimed design.

1 Claim, 14 Drawing Sheets



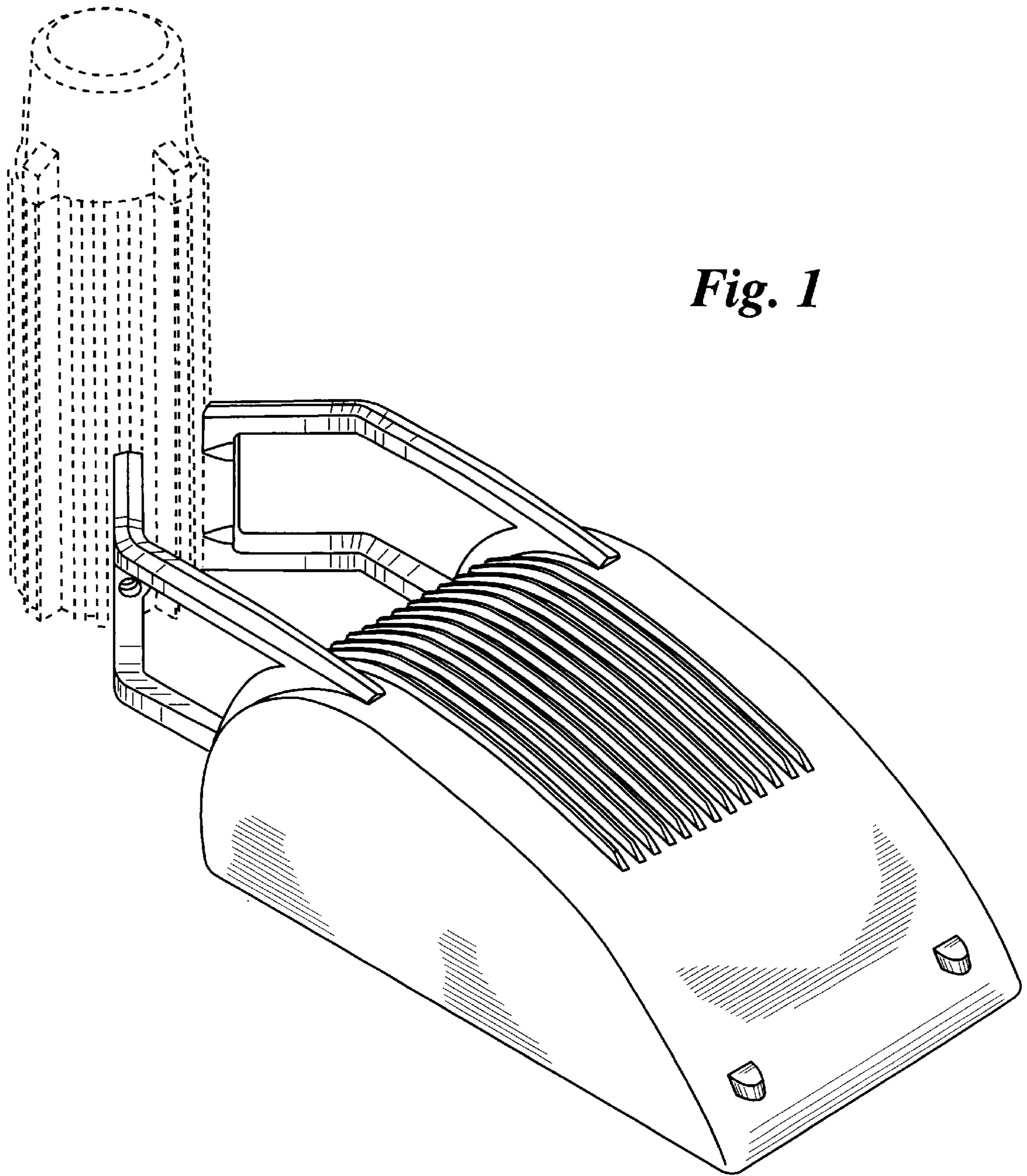


Fig. 1

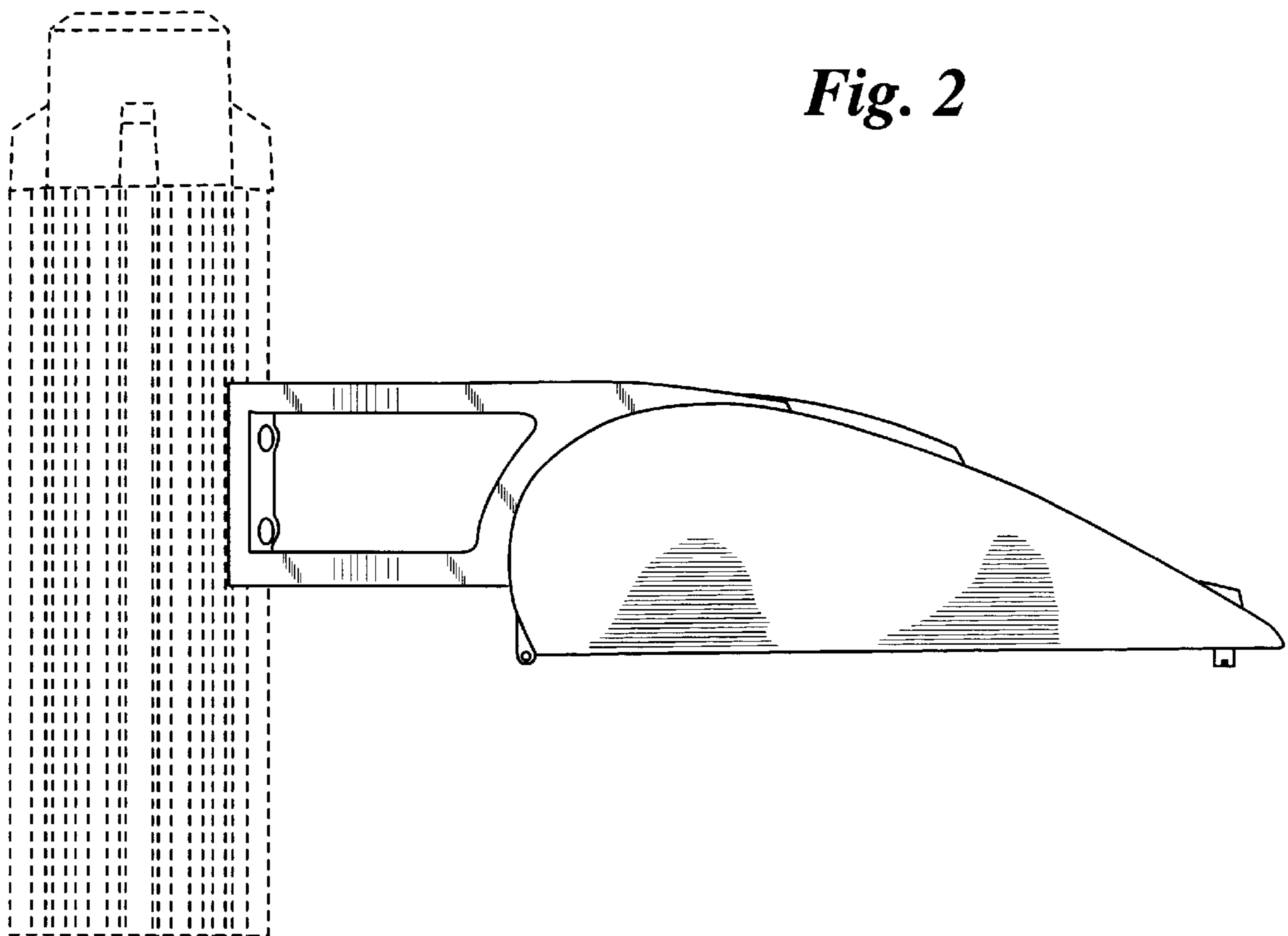


Fig. 2

Fig. 3

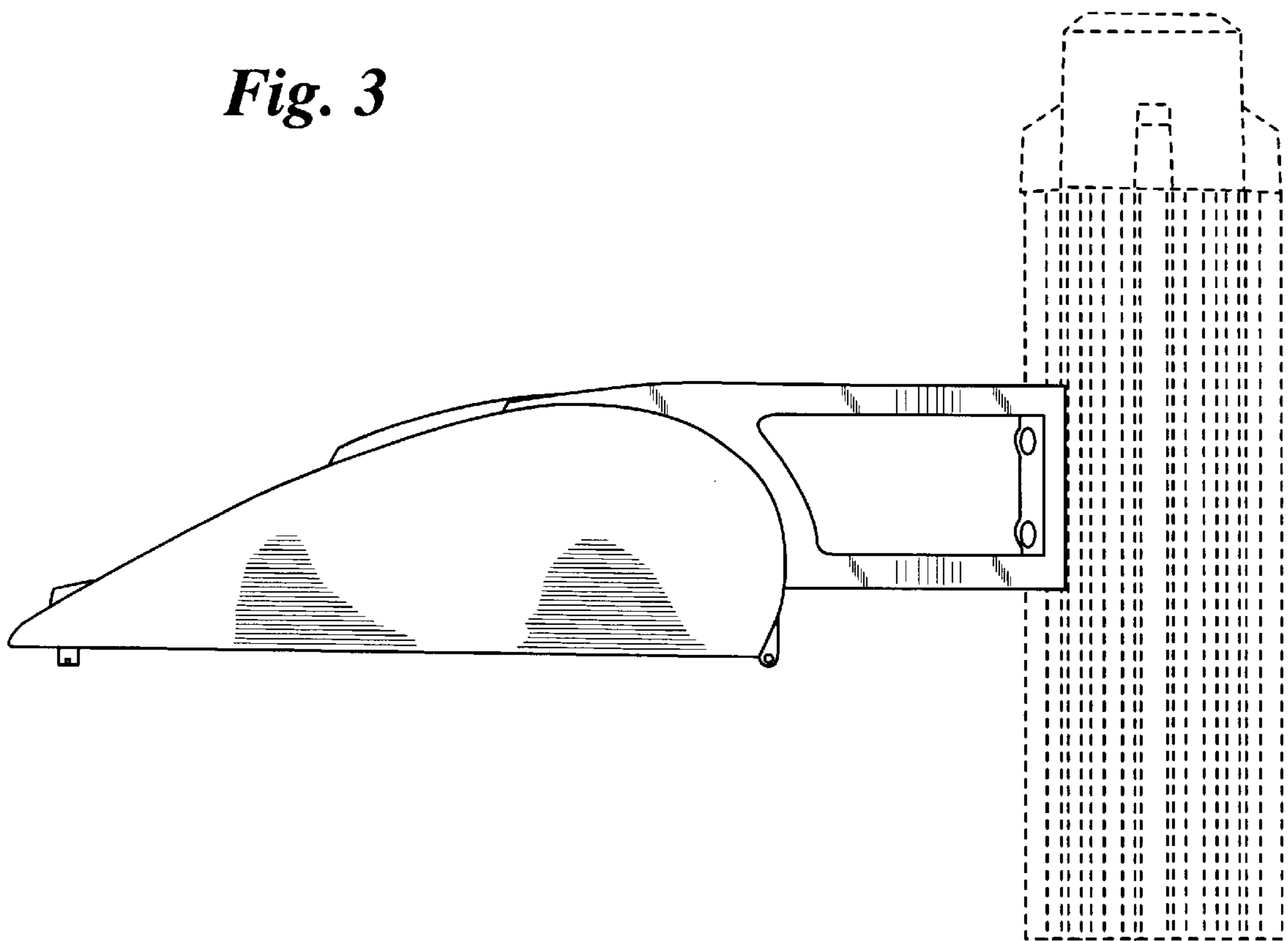


Fig. 4

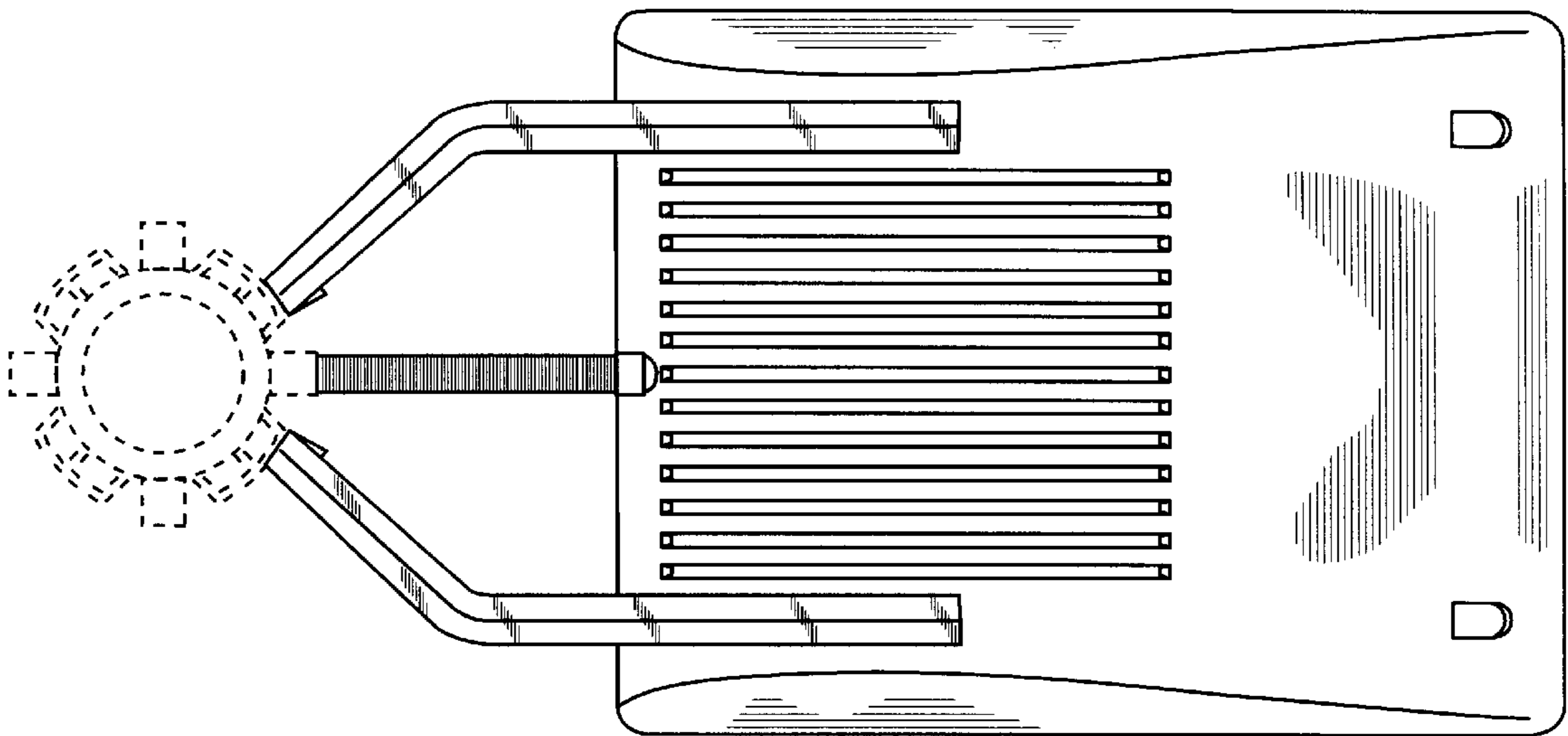


Fig. 5

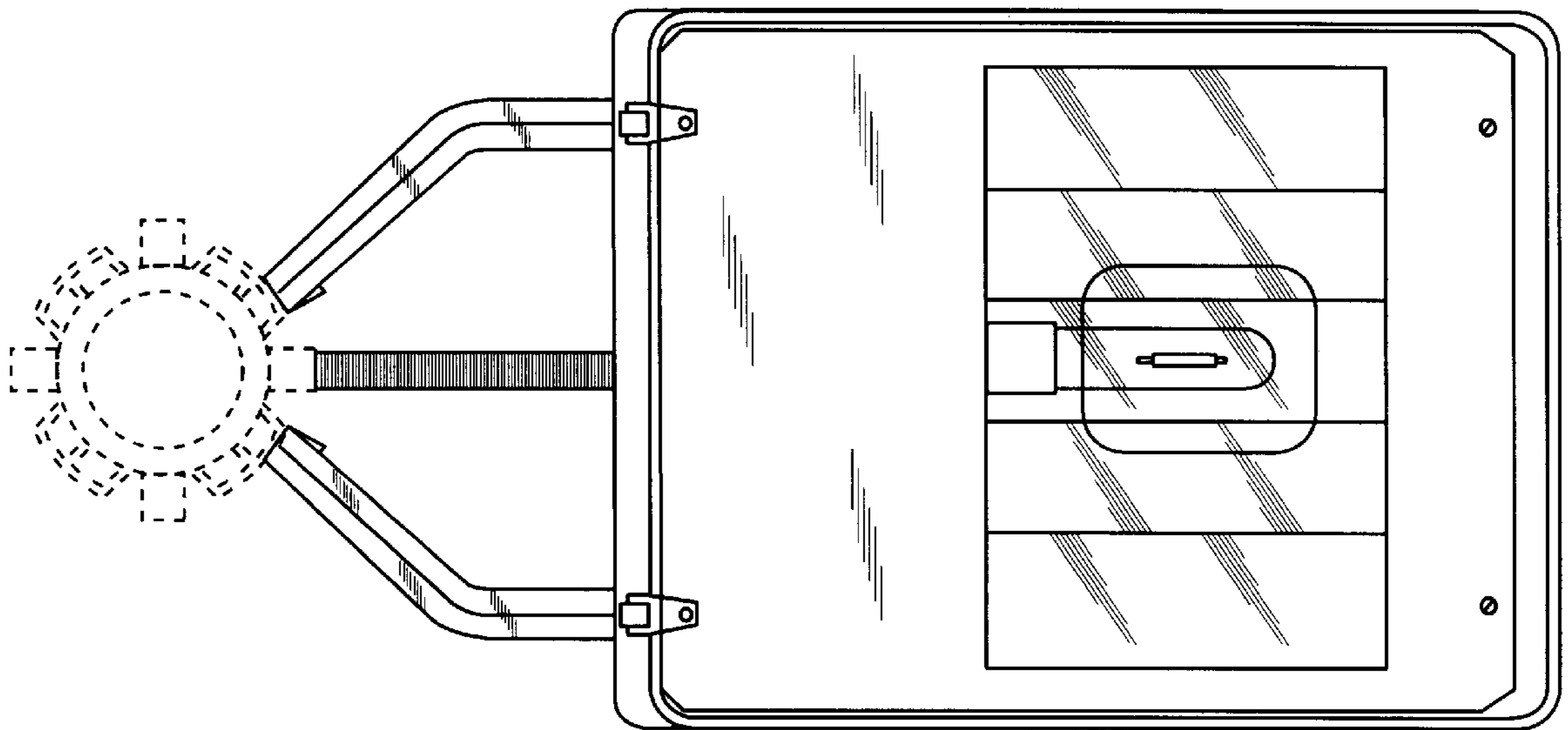


Fig. 6

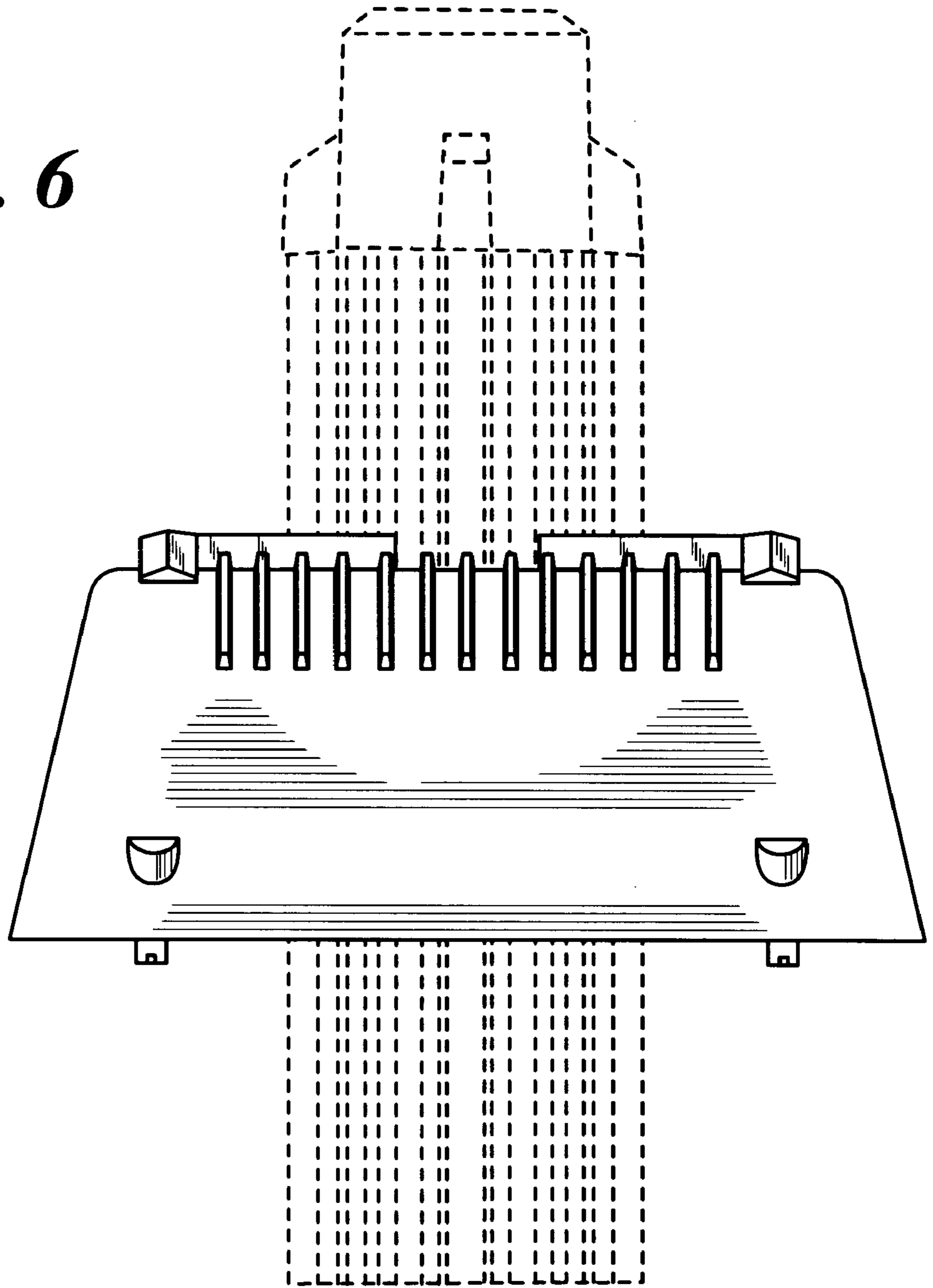


Fig. 7

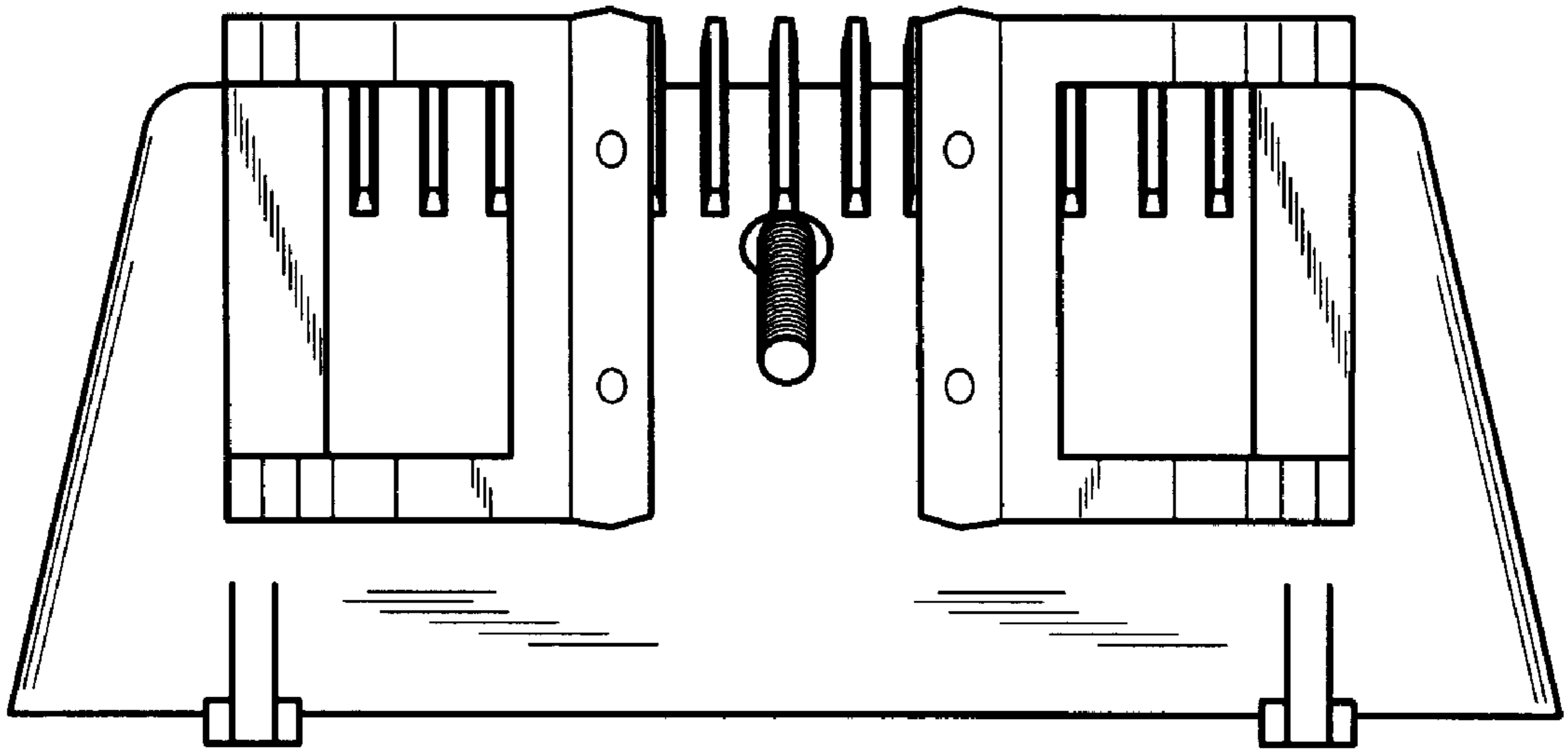
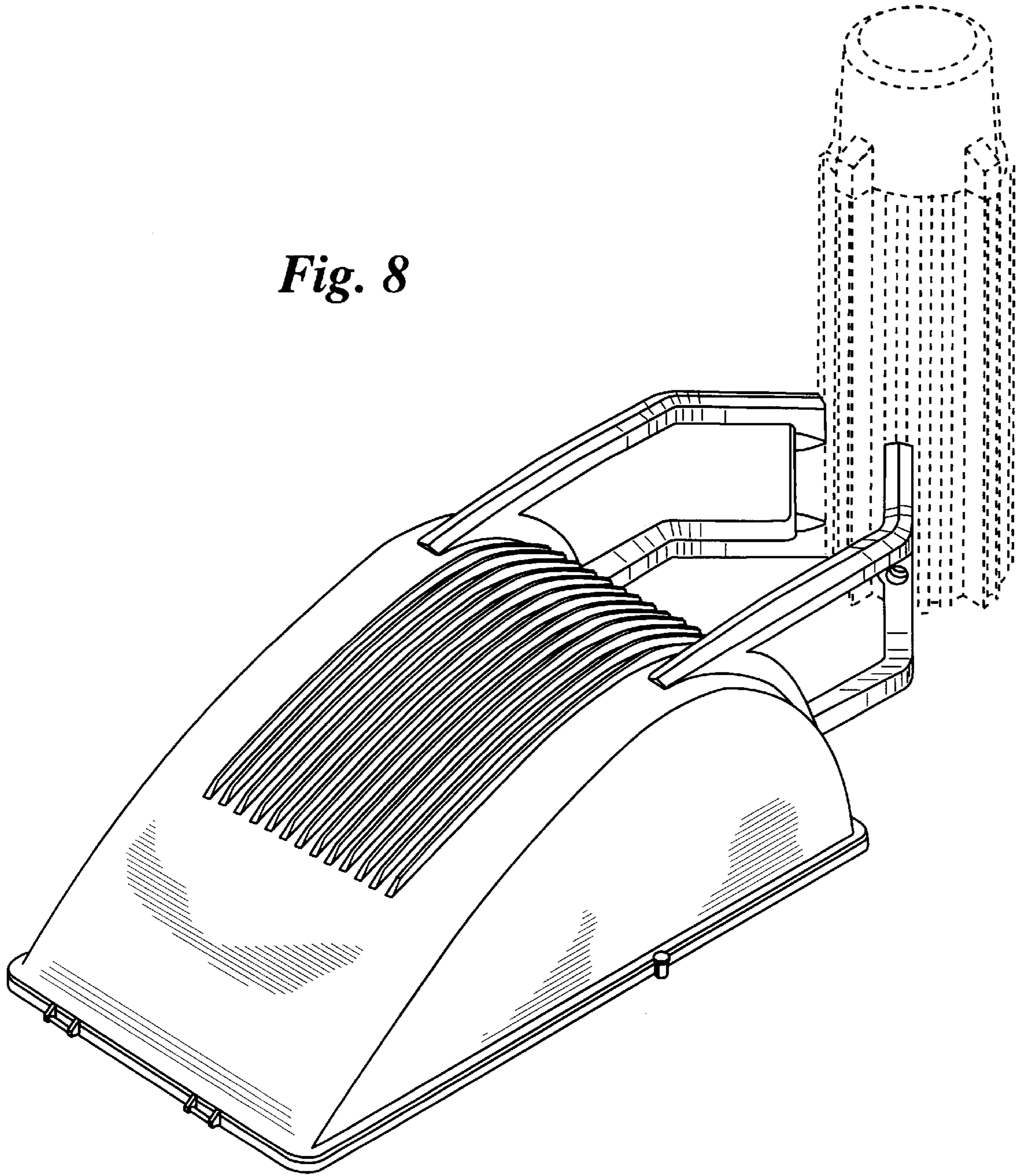


Fig. 8



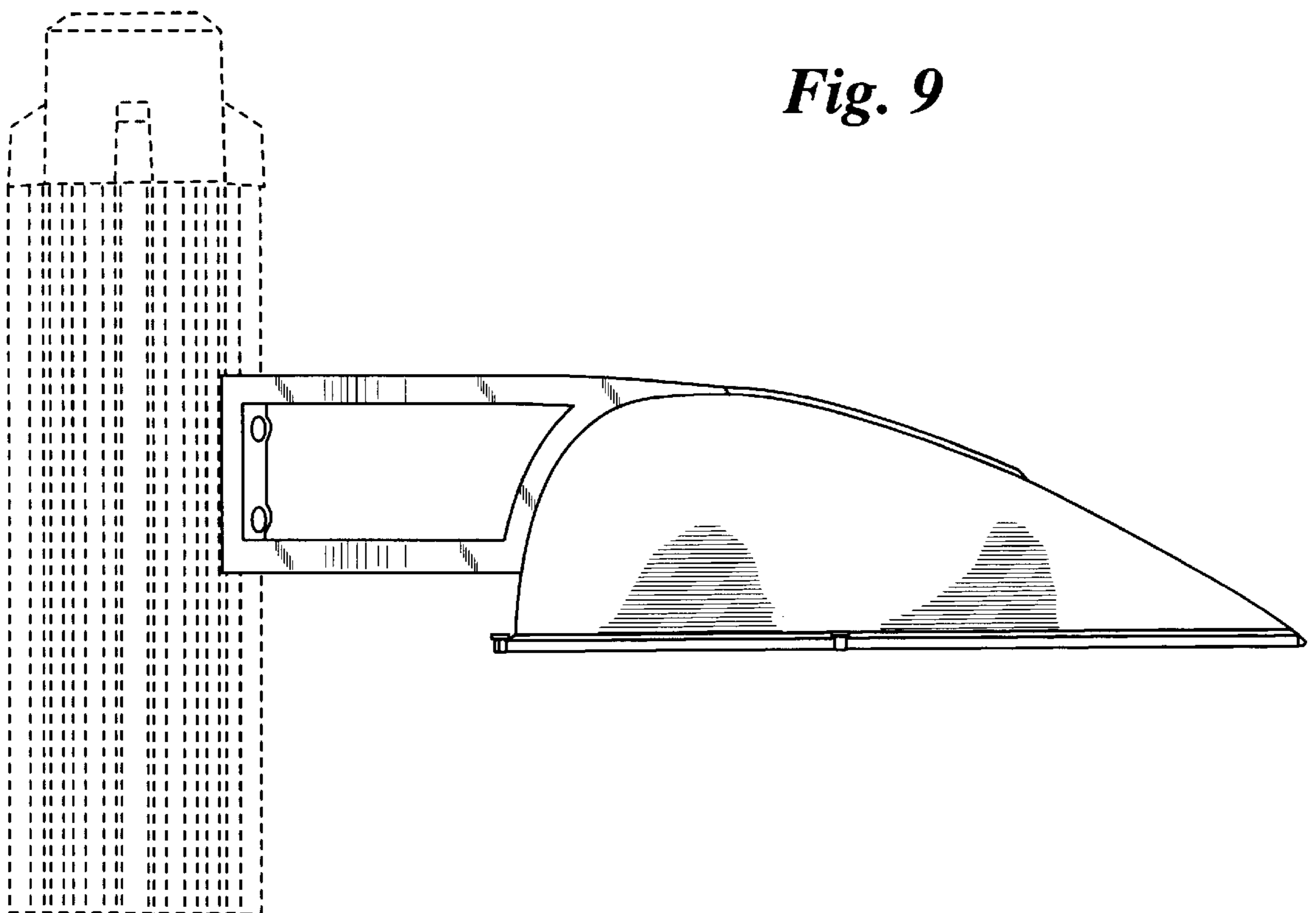


Fig. 10

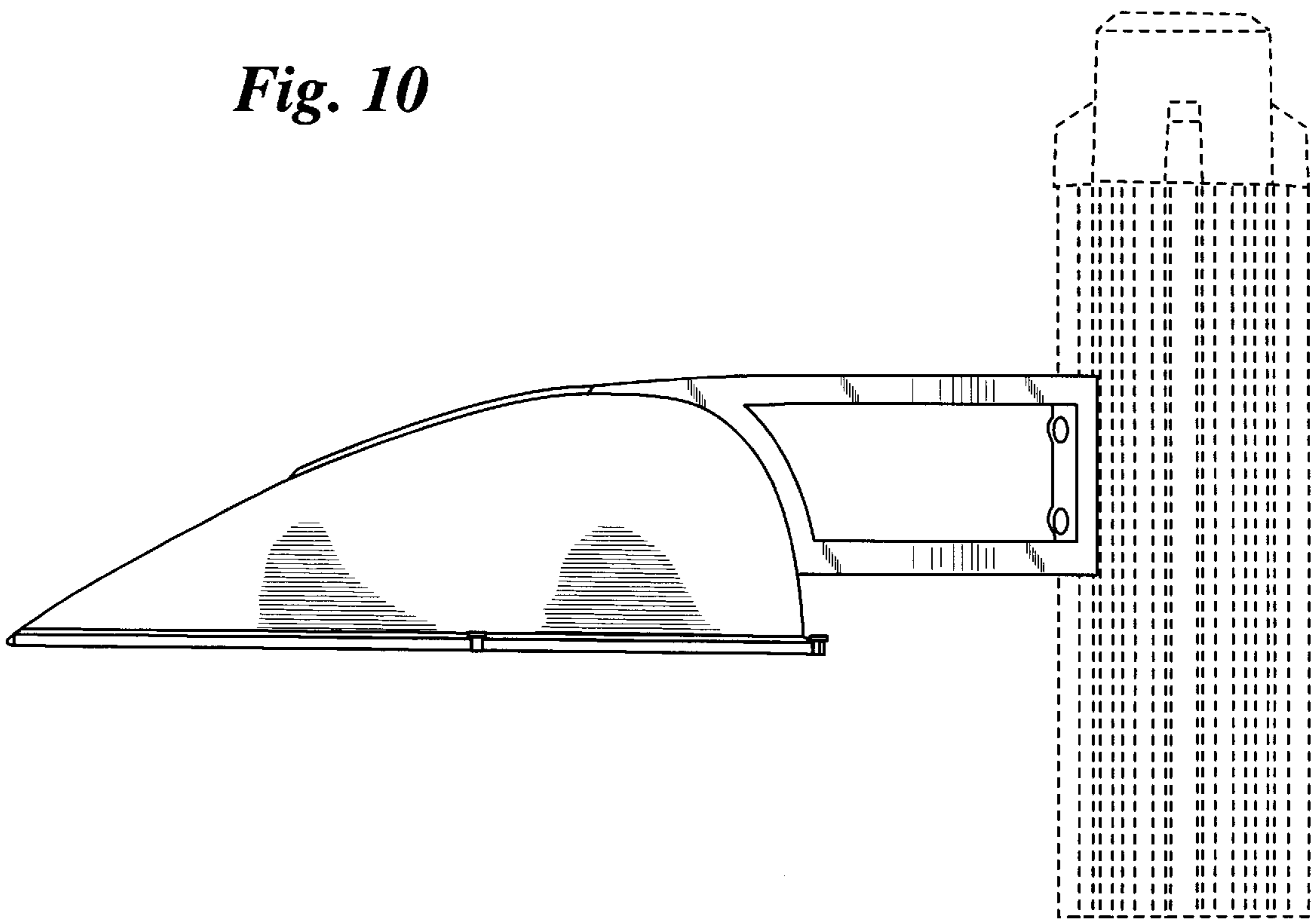


Fig. 11

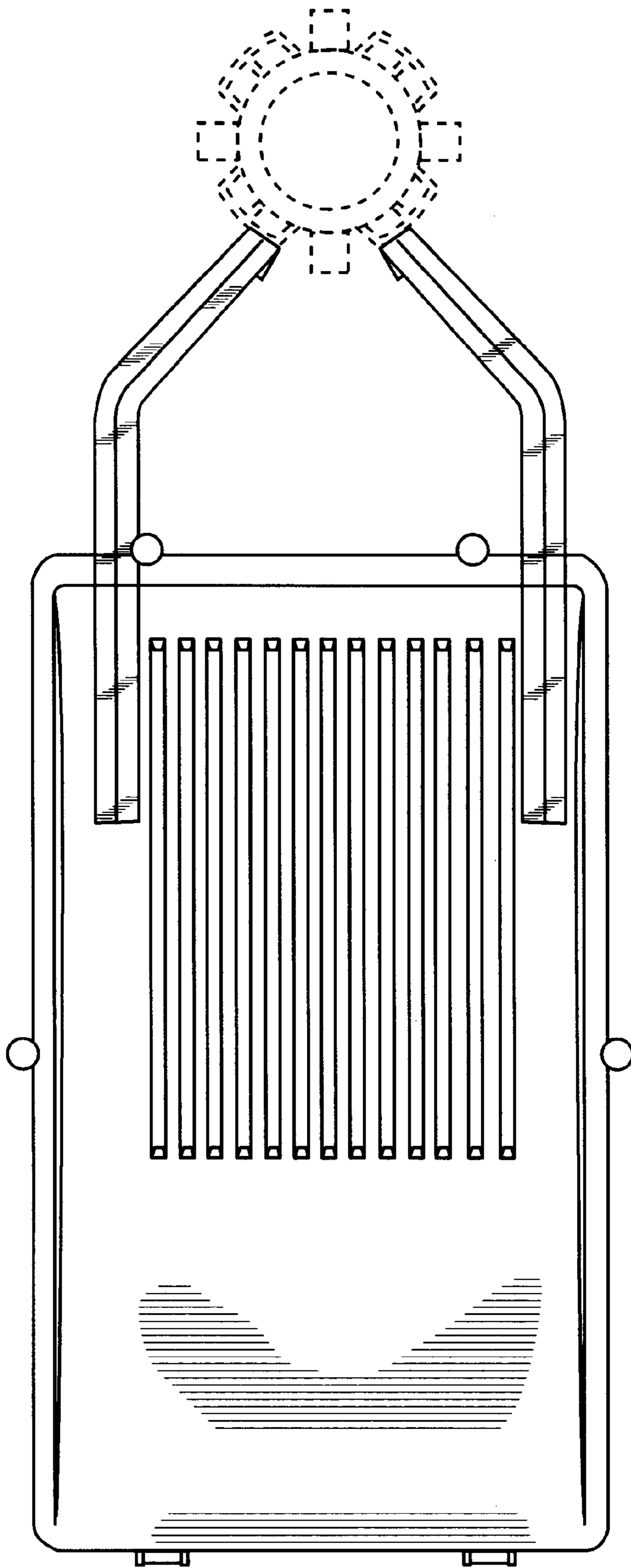


Fig. 12

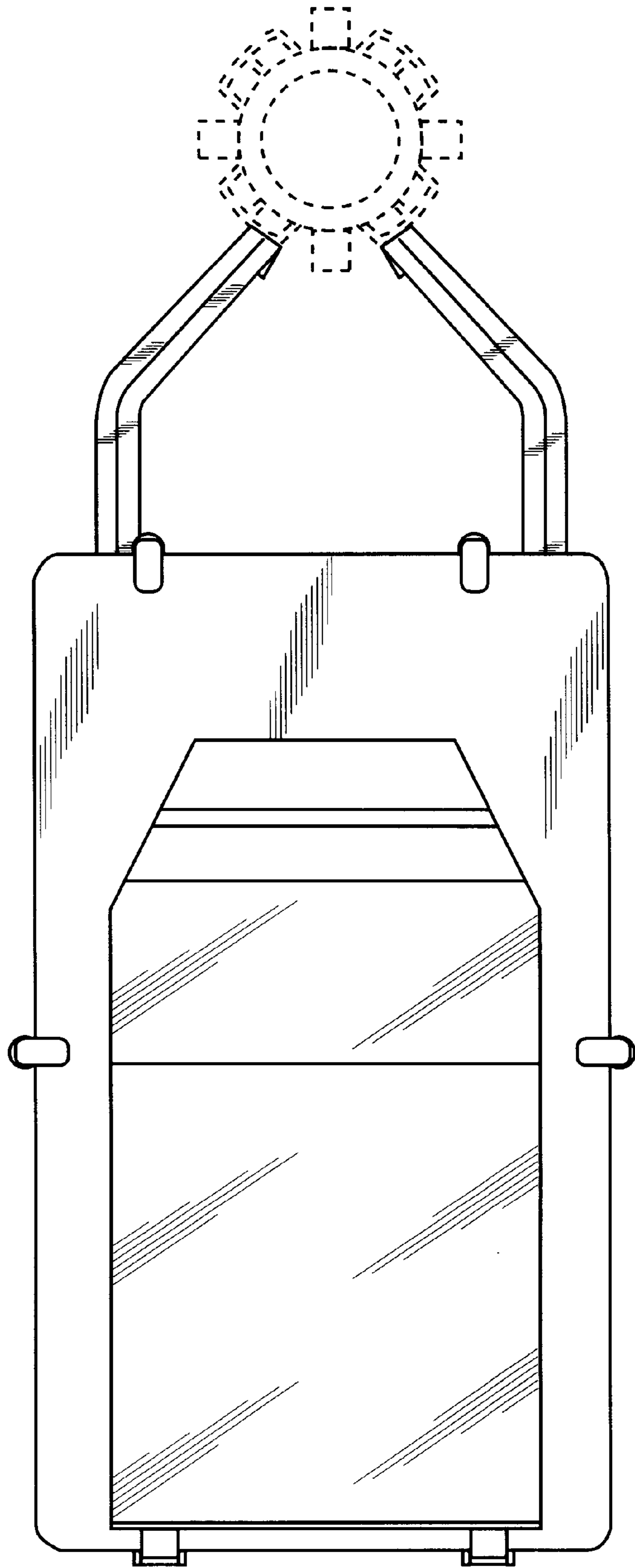
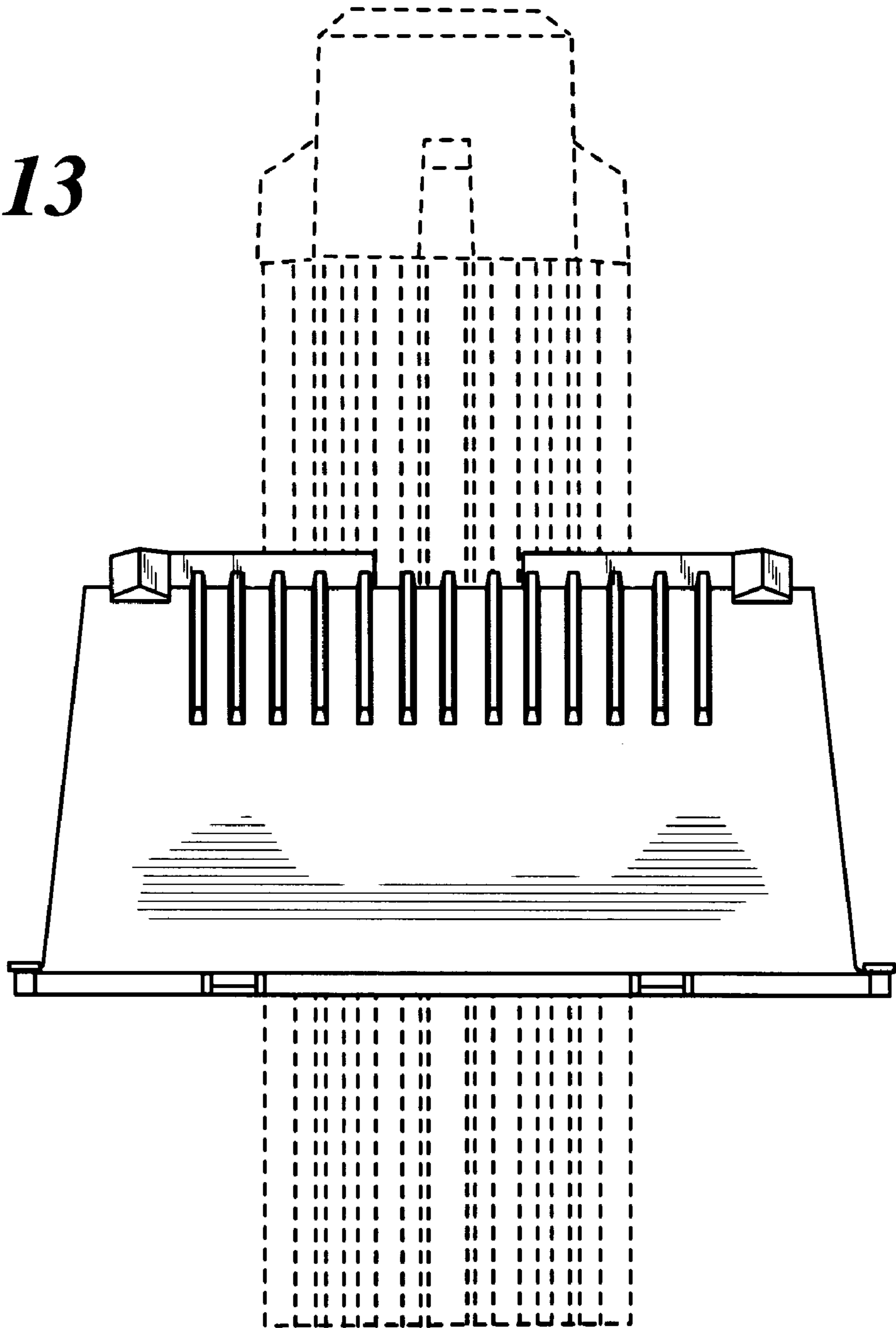


Fig. 13



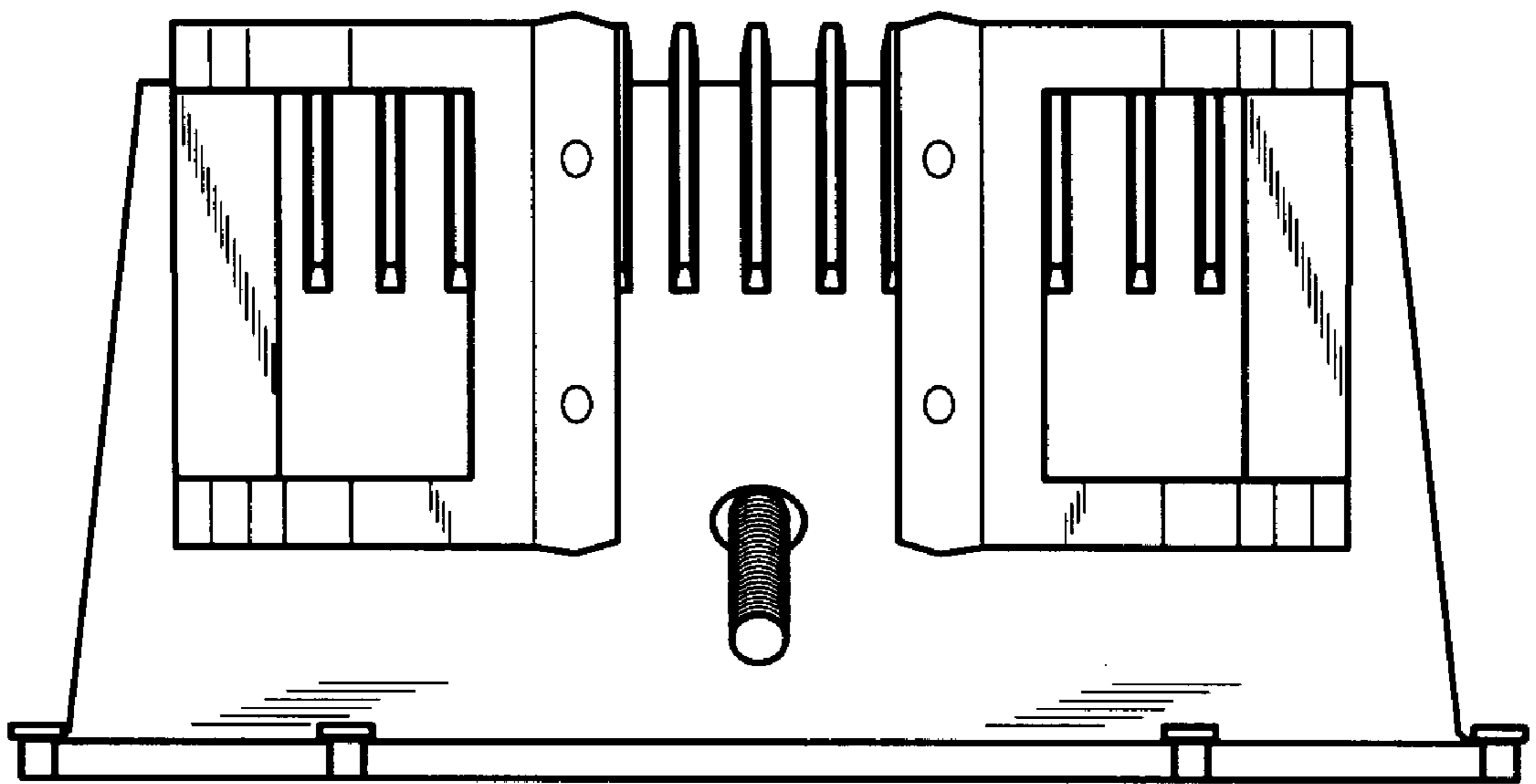


Fig. 14