



US00D417302S

United States Patent [19]
Huang

[11] **Patent Number: Des. 417,302**
[45] **Date of Patent: ** Nov. 30, 1999**

[54] **TORCHIERE LAMP WITH ADJUSTABLE ARM AND ADJUSTABLE LAMP HEADS**

[76] Inventor: **Thomas M Huang**, 5649 N. Peck Rd., Arcadia, Calif. 91006

[**] Term: **14 Years**

[21] Appl. No.: **29/083,132**

[22] Filed: **Feb. 5, 1998**

Related U.S. Application Data

[62] Division of application No. 29/055,410, Jun. 4, 1996.

[51] **LOC (6) Cl.** **26-05**

[52] **U.S. Cl.** **D26/65**

[58] **Field of Search** D26/93, 102-112;
362/269, 275, 287, 410-414, 418, 419,
427

[56] **References Cited**

U.S. PATENT DOCUMENTS

D. 352,125 11/1994 Hayashibara D26/65

(List continued on next page.)

OTHER PUBLICATIONS

Home Lighting and Accessories, p. 197, Vesaponents Inc. Shades, Jun. 1994.

(List continued on next page.)

Primary Examiner—Susan J. Lucas
Attorney, Agent, or Firm—Sheldon & Mak

[57] **CLAIM**

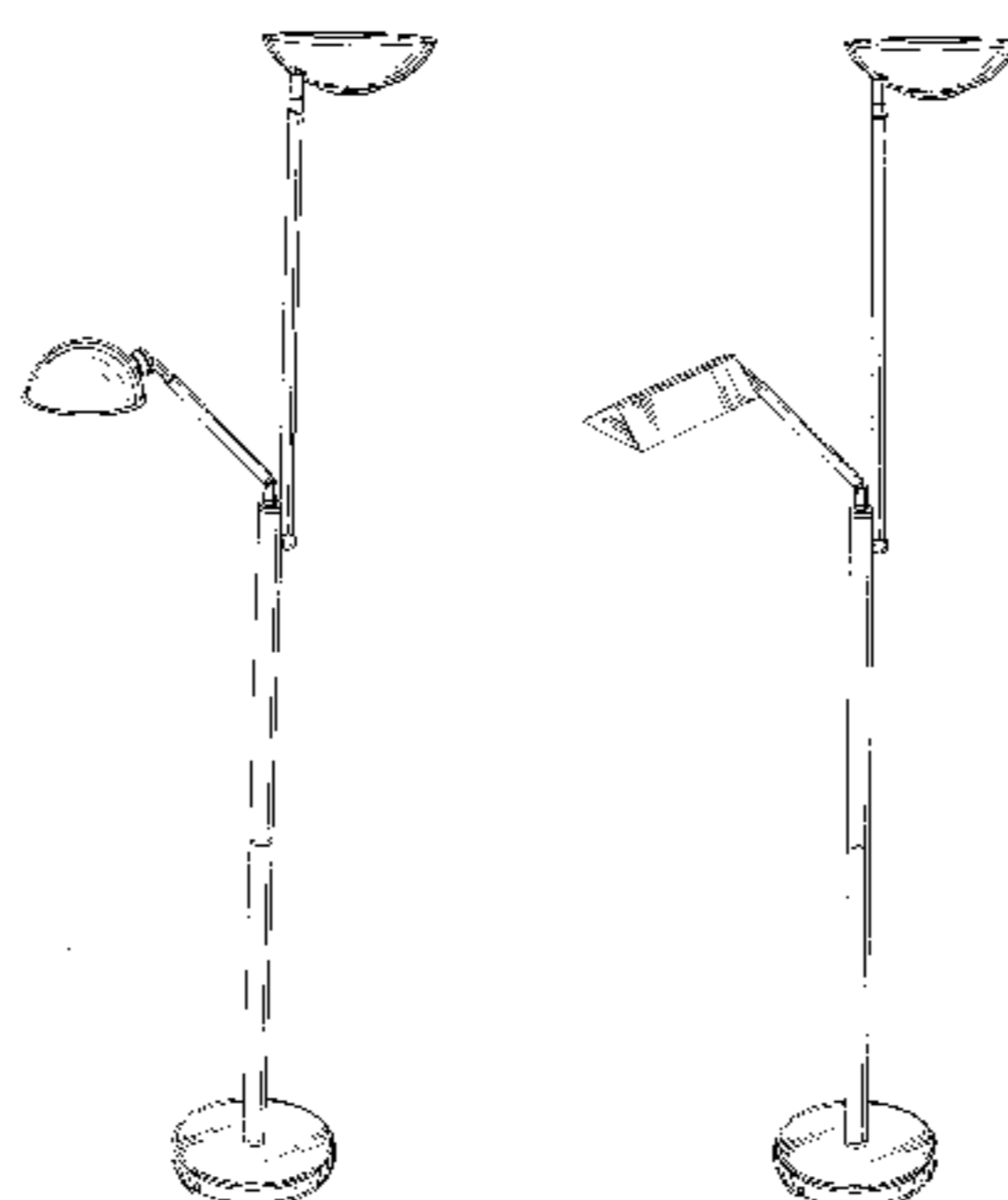
The ornamental design of a torchiere lamp with adjustable arm and adjustable lamp heads, as shown and described.

DESCRIPTION

FIG. 1 is a perspective view of the lamp of my invention; FIG. 2 is a right side view of the lamp in FIG. 1 with the side arm stretching out, with the side arm lamp head swivelled to an approximately horizontal position, and with the dish-shaped torchiere lamp head also swivelled to a horizontal position, and adjusted to a position furthest away from the side arm lamp head;
FIG. 3 is a rear view of the lamp in FIG. 2 ;
FIG. 4 is a left side view of the lamp in FIG. 2 with the side arm stretching out;

FIG. 5 is a front view of the lamp in FIG. 2;
FIG. 6 is a top view of the lamp in FIG. 2;
FIG. 7 is a bottom view of the lamp in FIG. 2;
FIG. 8 is a enlarged view of the joint linking the side arm to the body of the lamp;
FIG. 9 is a perspective view of an alternative embodiment of the lamp of my invention;
FIG. 10 is a right side view of the lamp of FIG. 9, with the side arm stretching out, with the side arm lamp head swivelled to an approximately horizontal position, with the dish-shaped torchiere lamp head also swivelled to a horizontal position, and adjusted to a position furthest away from the side arm lamp head;
FIG. 11 is a rear view of the lamp in FIG. 10;
FIG. 12 is a left side view of the lamp in FIG. 10 with the side arm stretching out;
FIG. 13 is a front view of the lamp in FIG. 10;
FIG. 14 is a top view of the lamp in FIG. 10;
FIG. 15 is a bottom view of the lamp in FIG. 10;
FIG. 16 is a perspective view of a second alternative embodiment of the lamp of my invention;
FIG. 17 is a right side view of the lamp of FIG. 16, with the side arm stretching out, with the side arm lamp head swivelled to an approximately horizontal position, with the dish-shaped torchiere lamp head also swivelled to a horizontal position, and adjusted to a position furthest away from the side arm lamp head;
FIG. 18 is a rear view of the lamp in FIG. 17;
FIG. 19 is a left side view of the lamp in FIG. 17 with the side arm stretching out;
FIG. 20 is a front view of the lamp in FIG. 17;
FIG. 21 is a top view of the lamp in FIG. 17;
FIG. 22 is a bottom view of the lamp in FIG. 17;
FIG. 23 is a perspective view of a third alternative embodiment of the lamp of my invention;
FIG. 24 is a right side view of the lamp of FIG. 23, with the side arm stretching out, with the side arm lamp head swivelled to an approximately horizontal position, with the dish-shaped torchiere lamp head also swivelled to a horizontal position, and adjusted to a position furthest away from the side arm lamp head;
FIG. 25 is a rear view of the lamp in FIG. 24;
FIG. 26 is a left side view of the lamp in FIG. 24 with the side arm stretching out;
FIG. 27 is a front view of the lamp in FIG. 24;
FIG. 28 is a top view of the lamp in FIG. 24; and,
FIG. 29 is a bottom view of the lamp in FIG. 24.

1 Claim, 17 Drawing Sheets



Des. 417,302

Page 2

U.S. PATENT DOCUMENTS

D. 369,425 4/1996 Swanson D26/63
D. 380,848 7/1997 Swanson D26/63
D. 381,104 7/1997 Linstone D26/62
5,620,247 4/1997 Swanson 362/413 X

OTHER PUBLICATIONS

Home Lighting and Accessories, p. 20, floor lamp with adjustable side lamp, bottom, left, May 1995.
Koch+Lowy Inc. lighting ad, shades, May 1984.

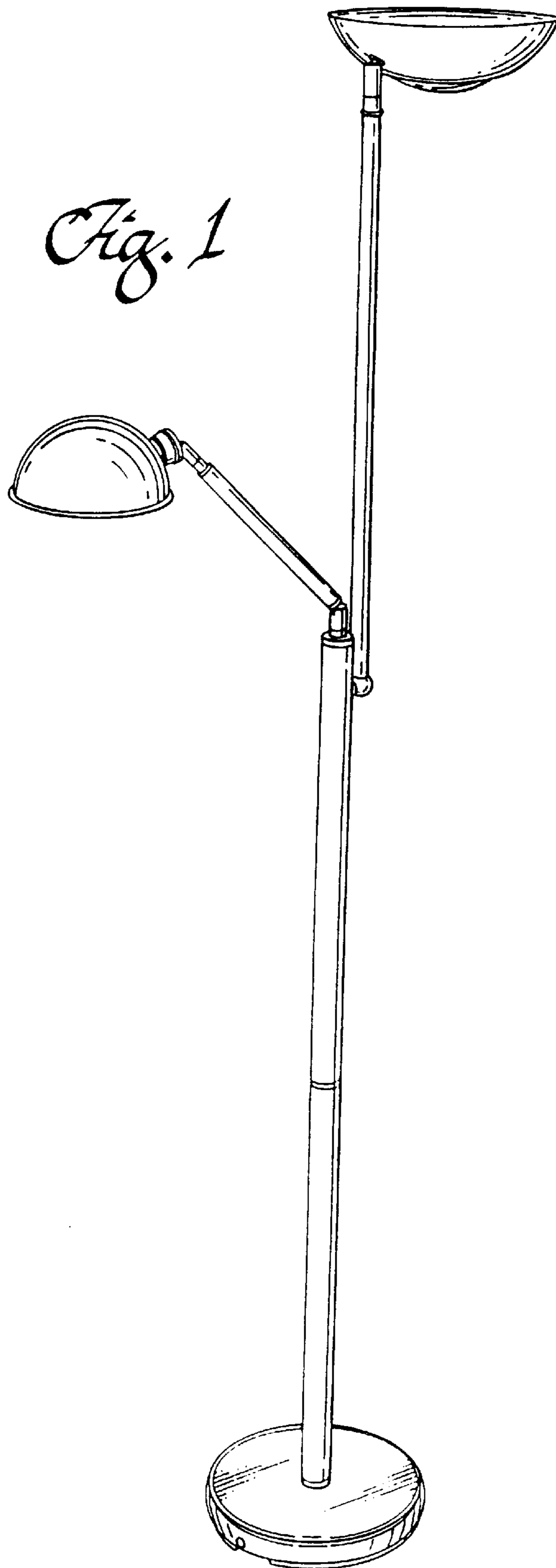


FIG. 2

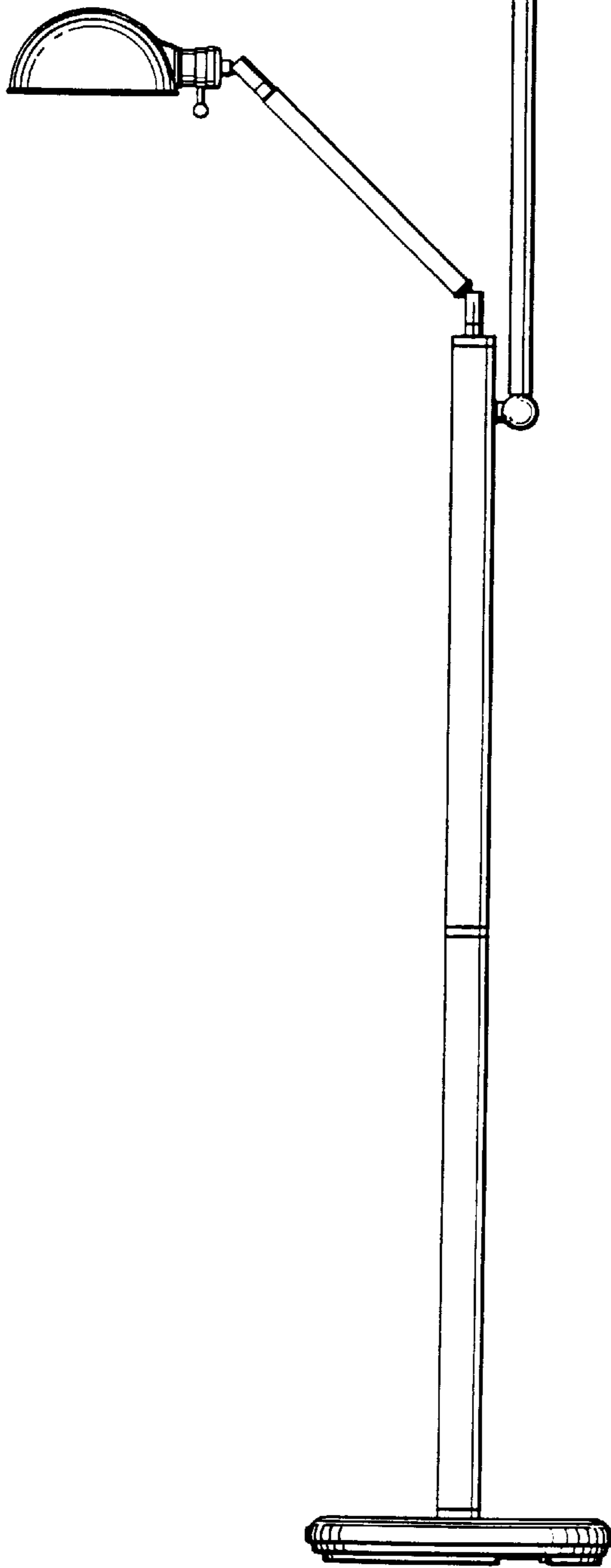
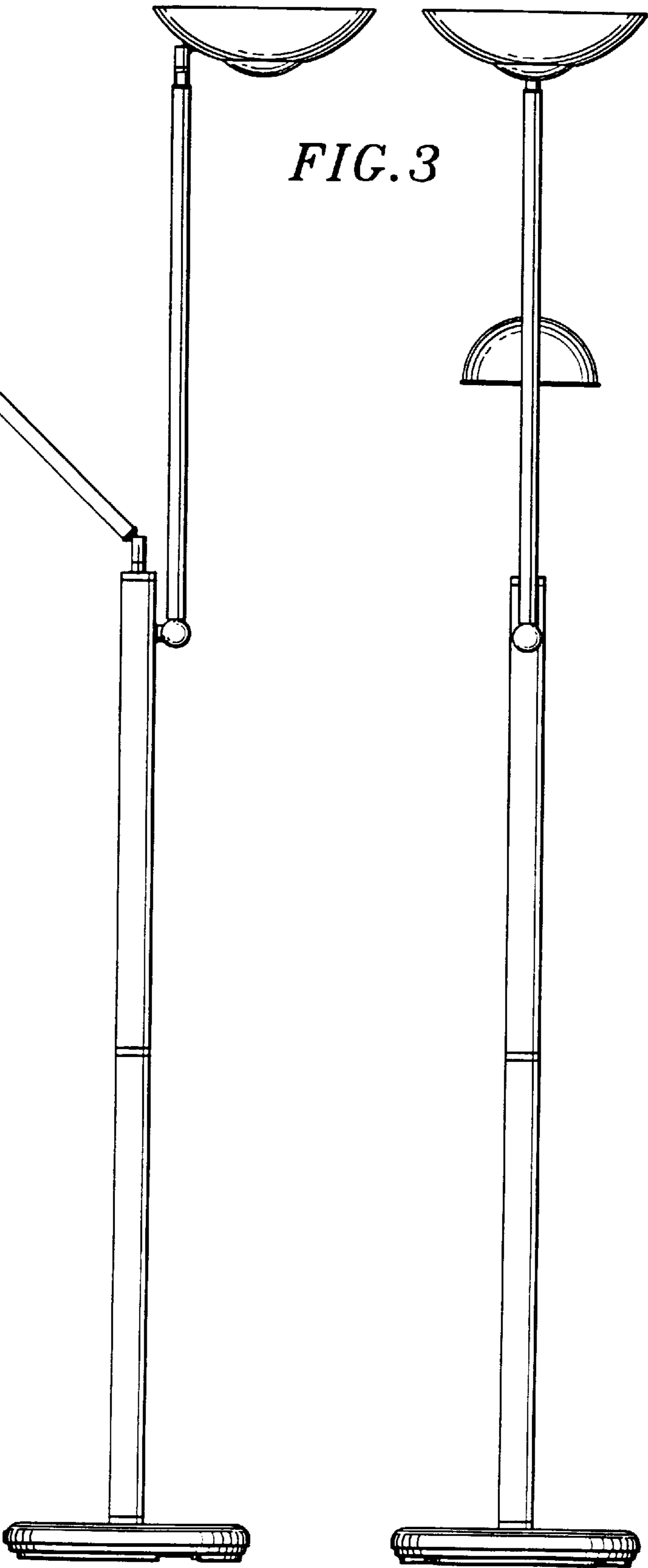


FIG. 3



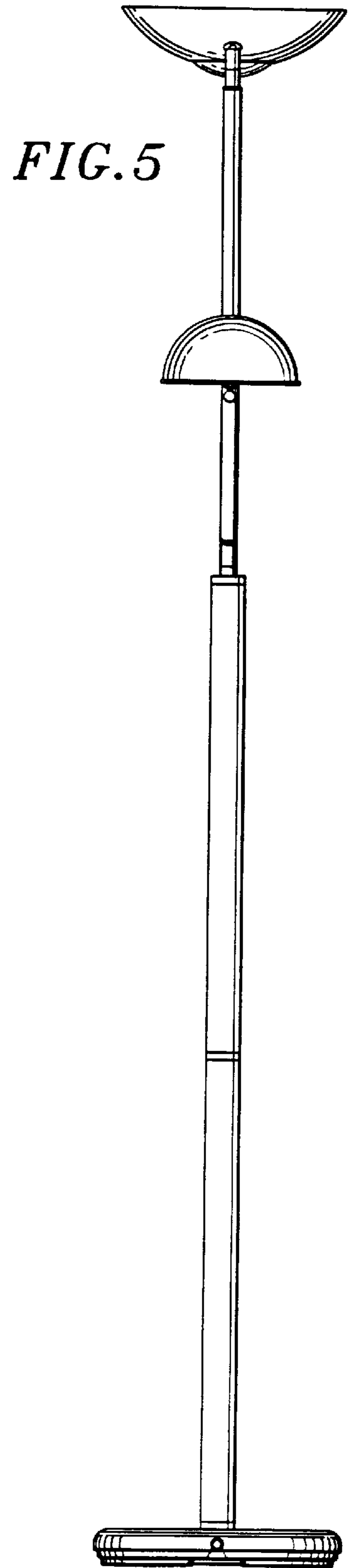
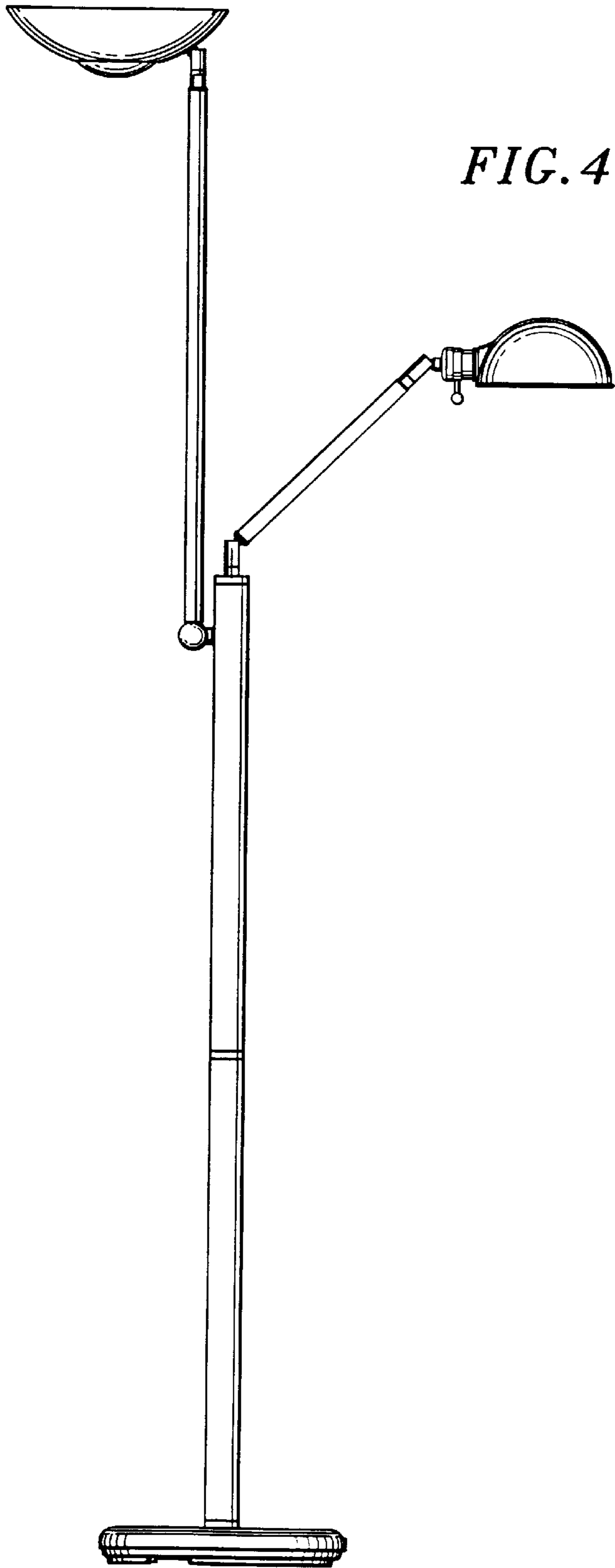


FIG. 6

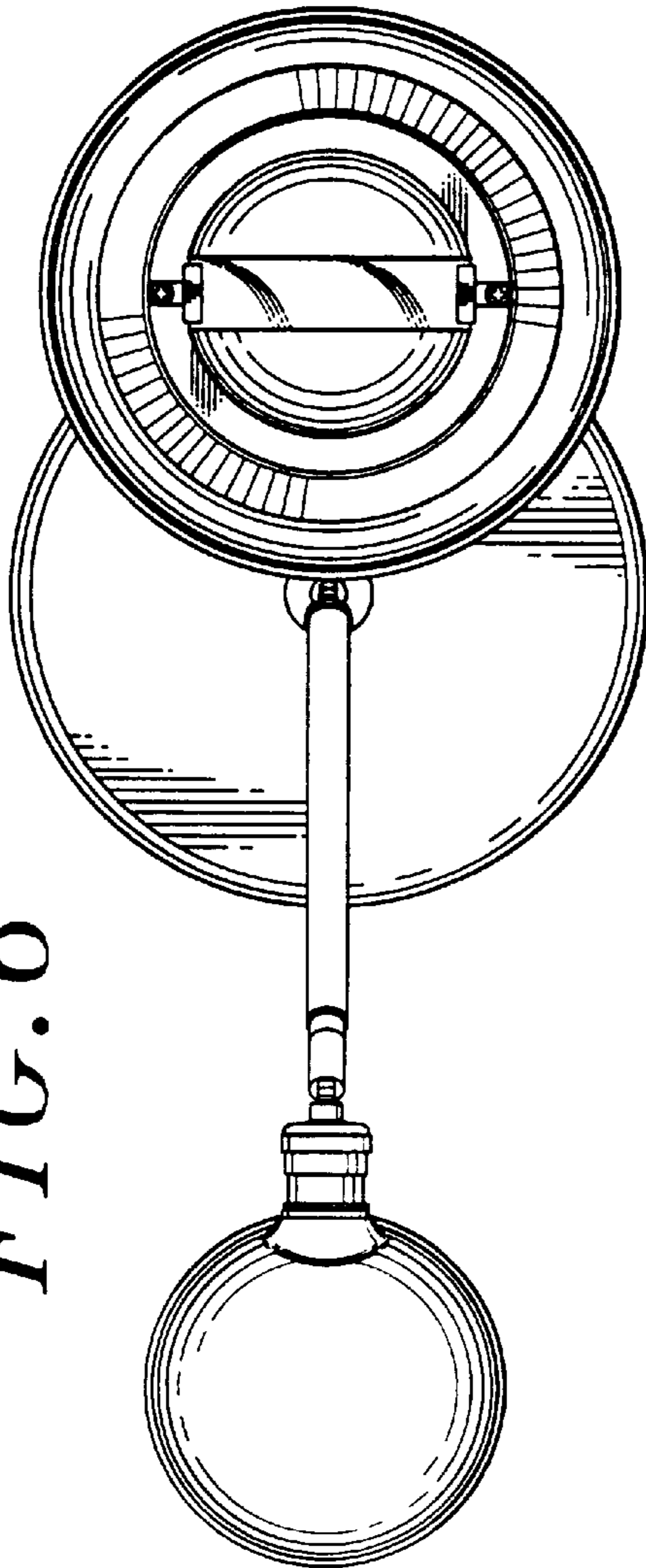
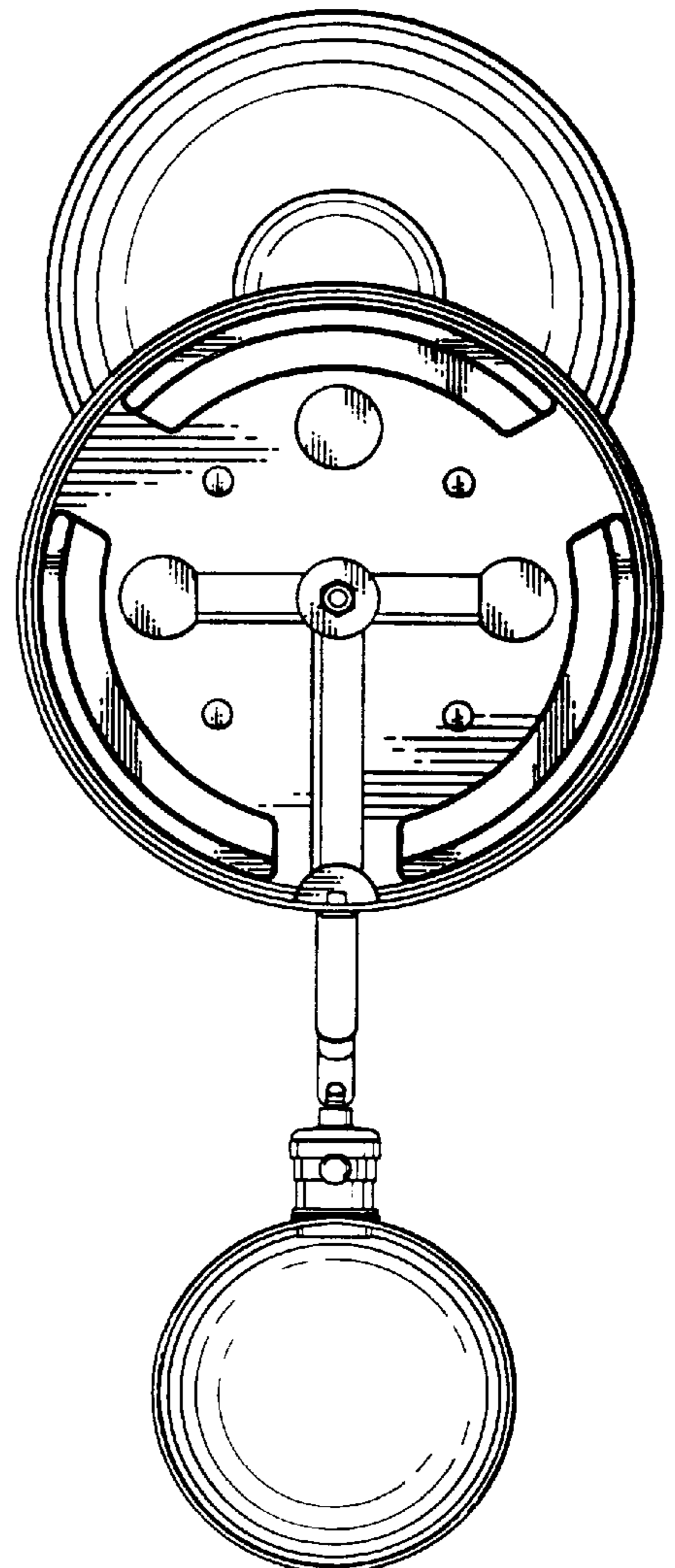


FIG. 7



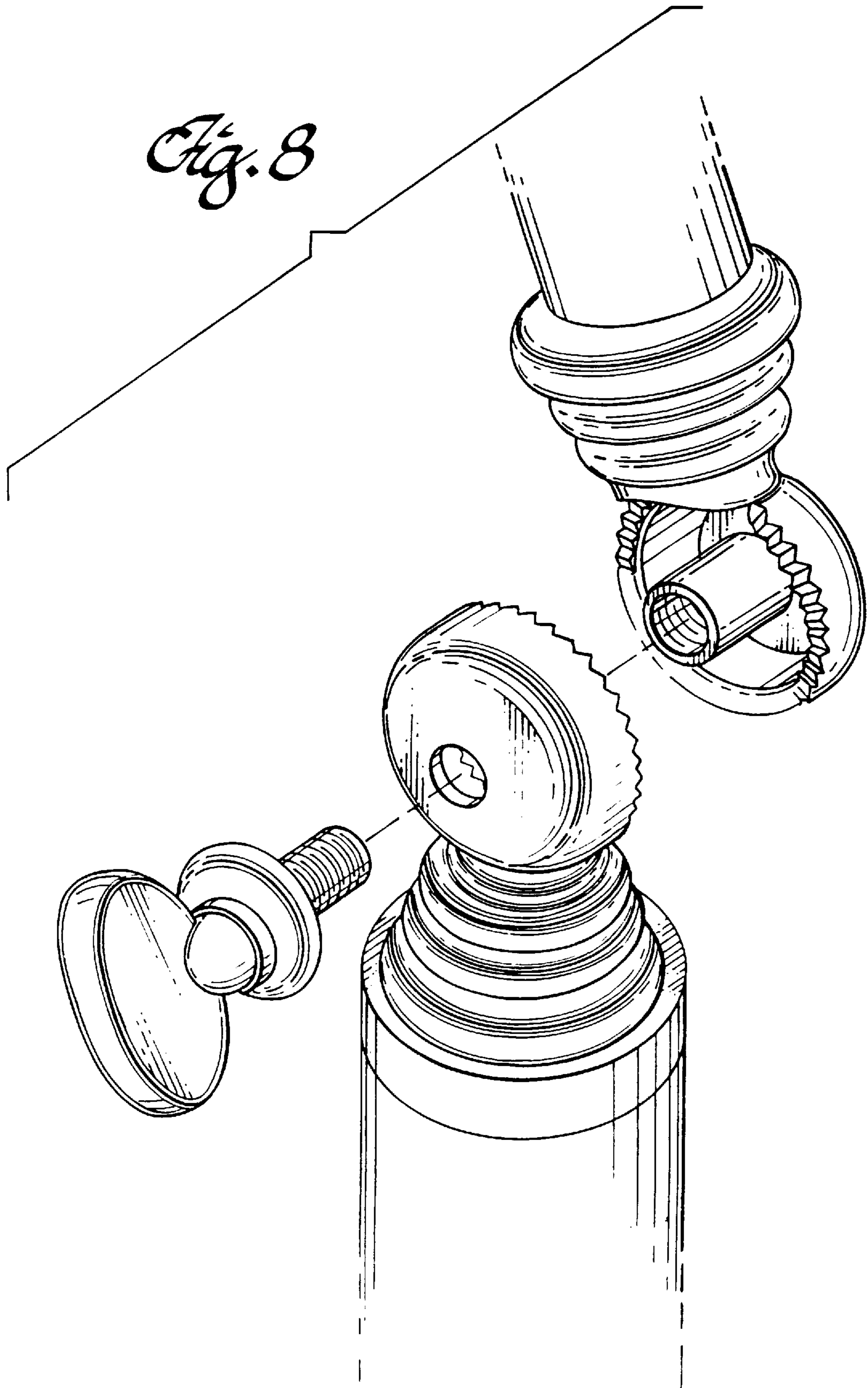


Fig. 9

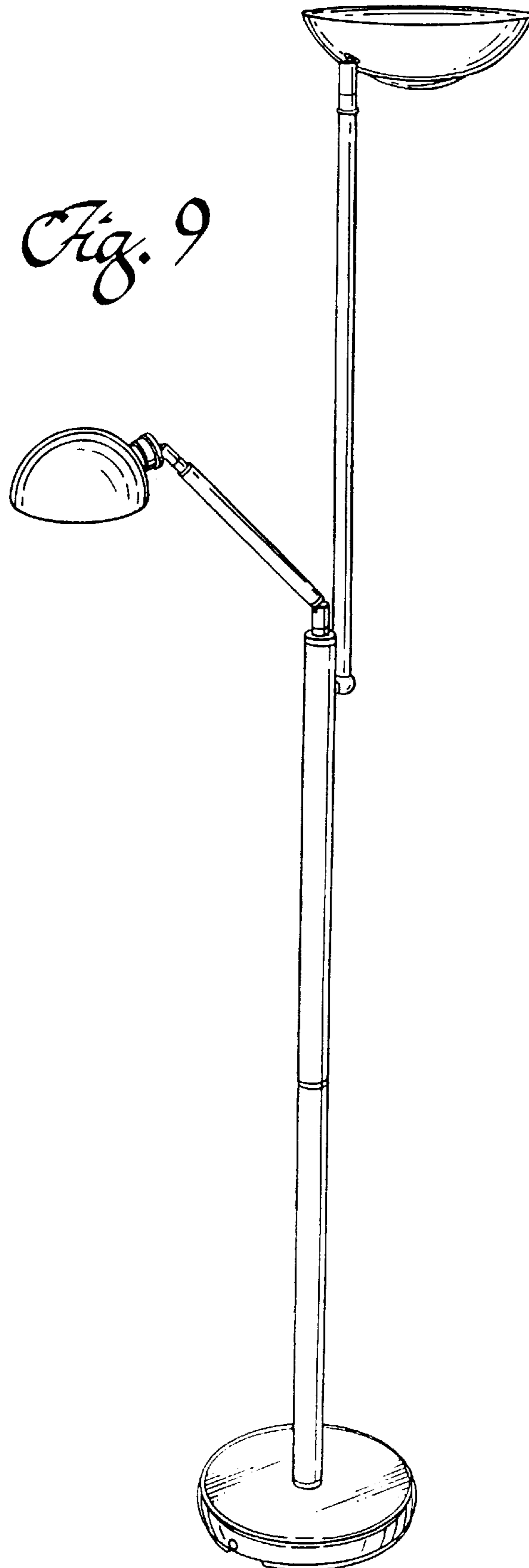


FIG. 10

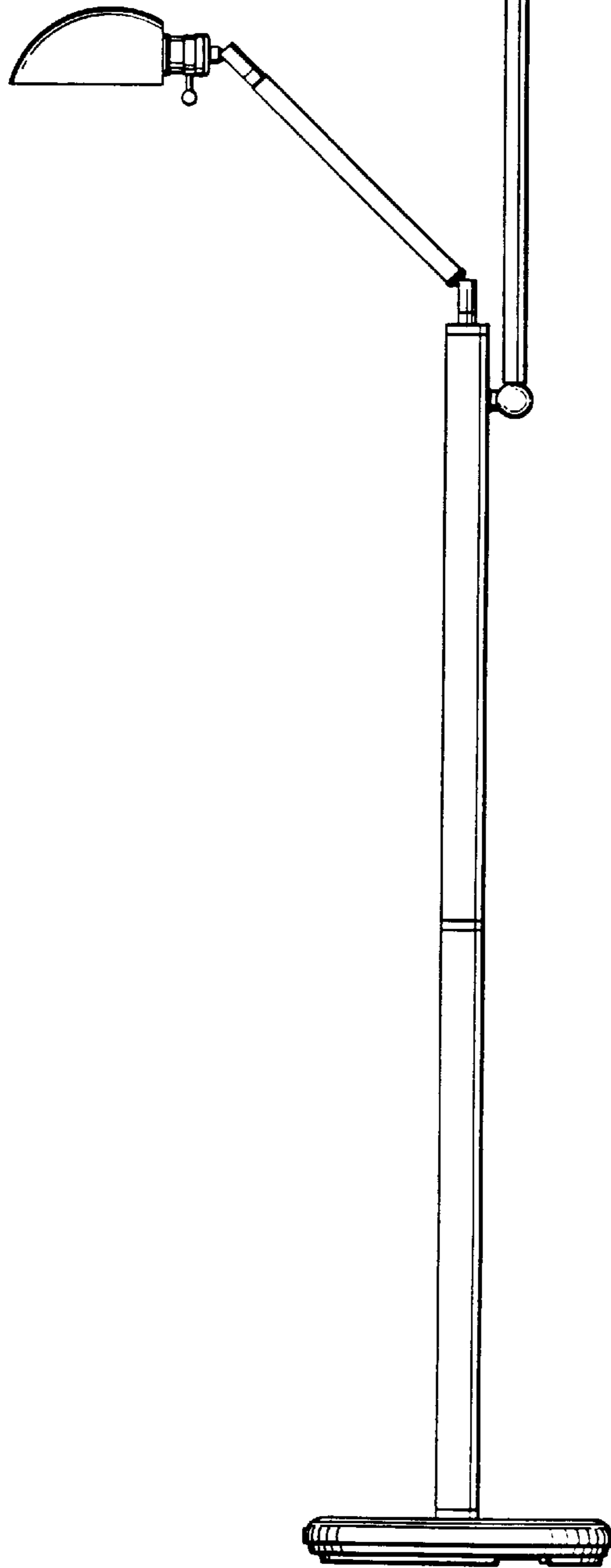
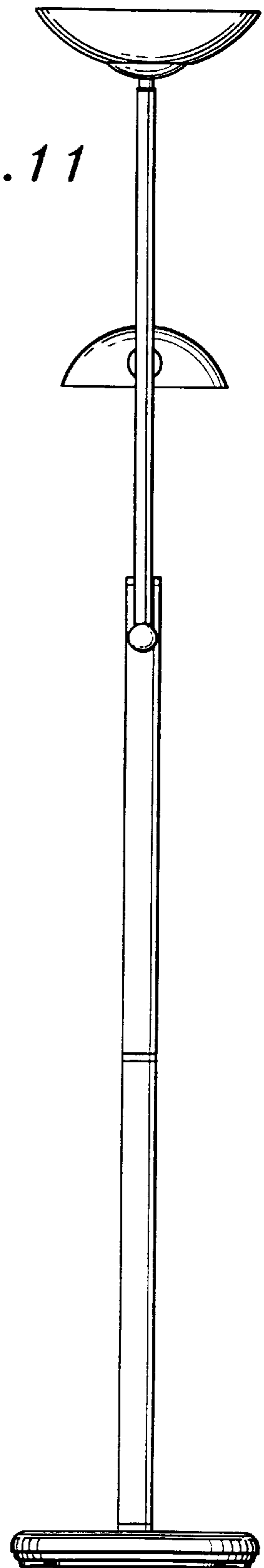


FIG. 11



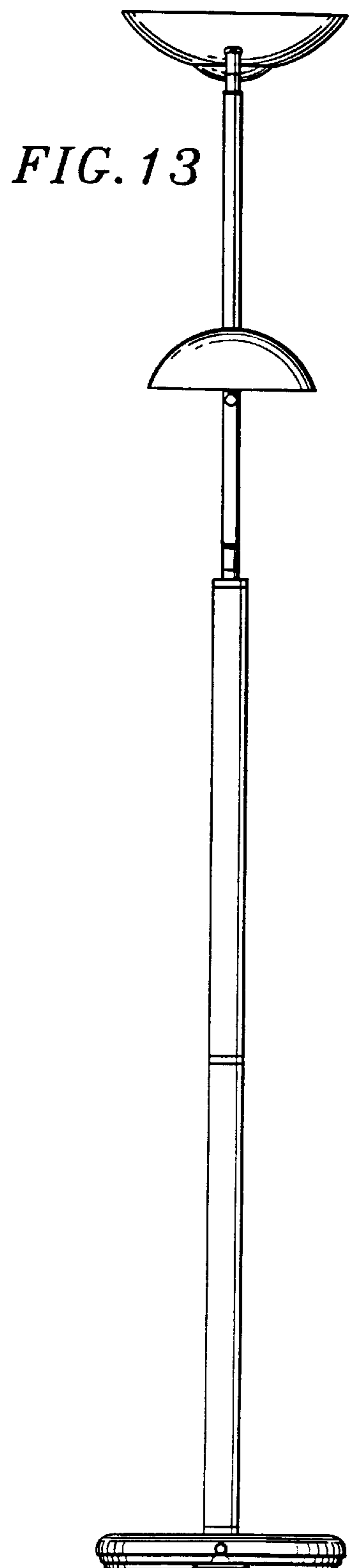
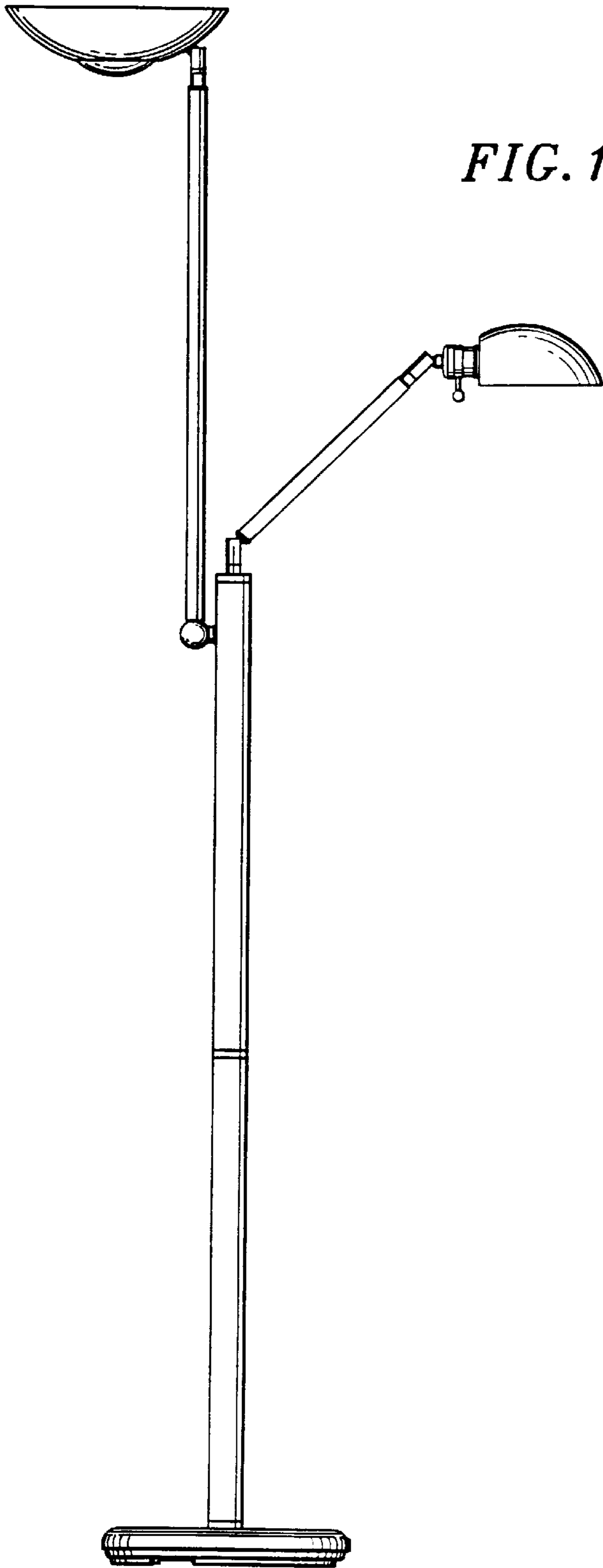


FIG. 14

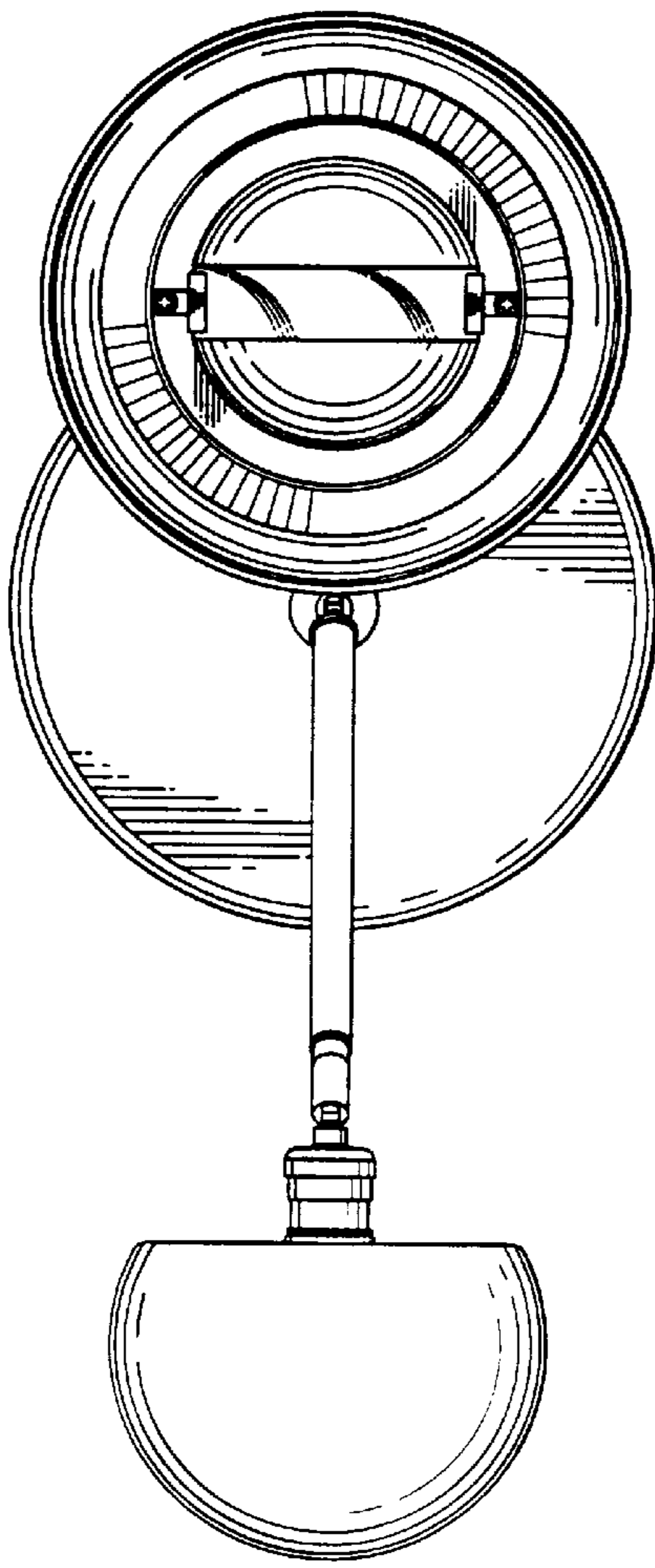


FIG. 15

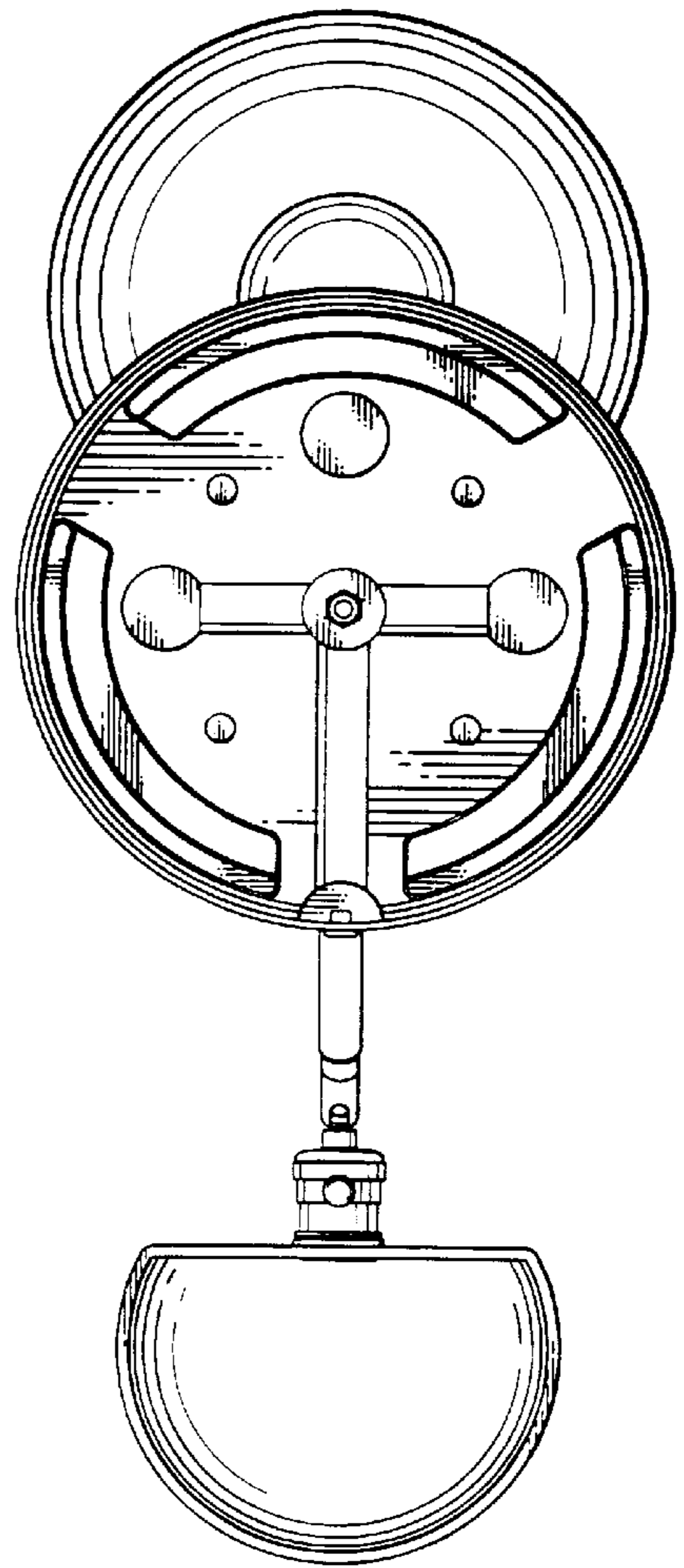


Fig. 16

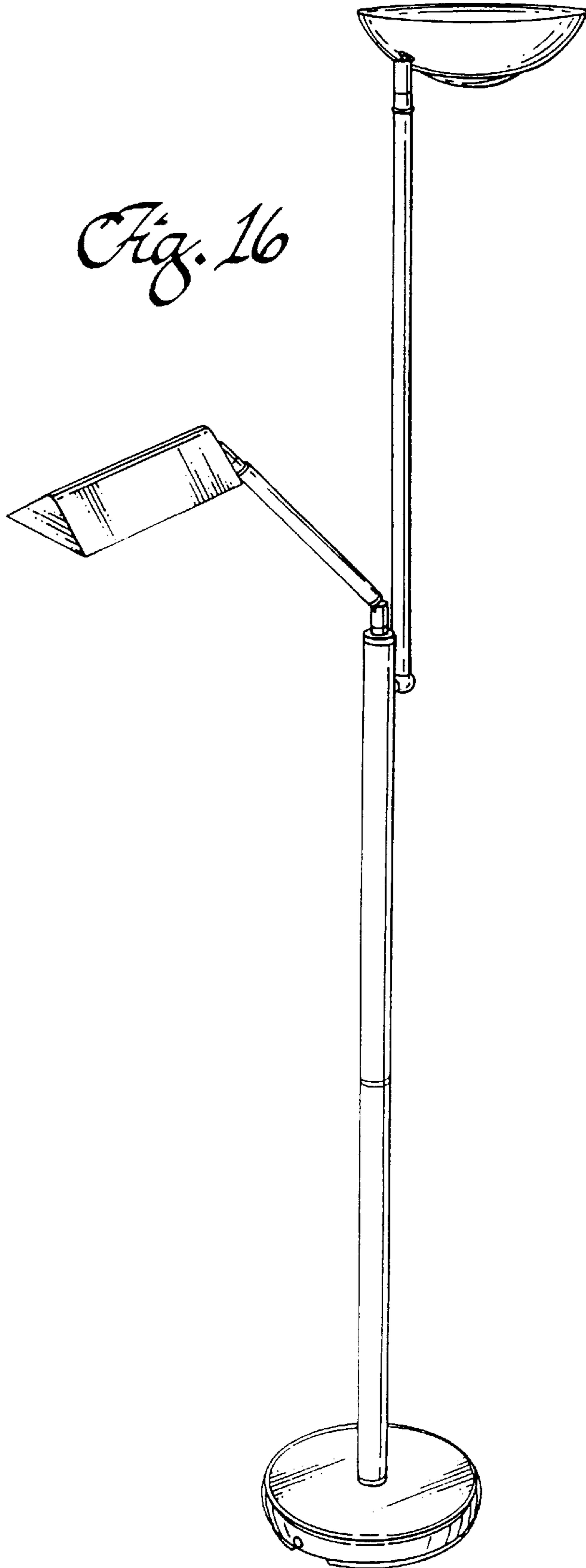


FIG. 17

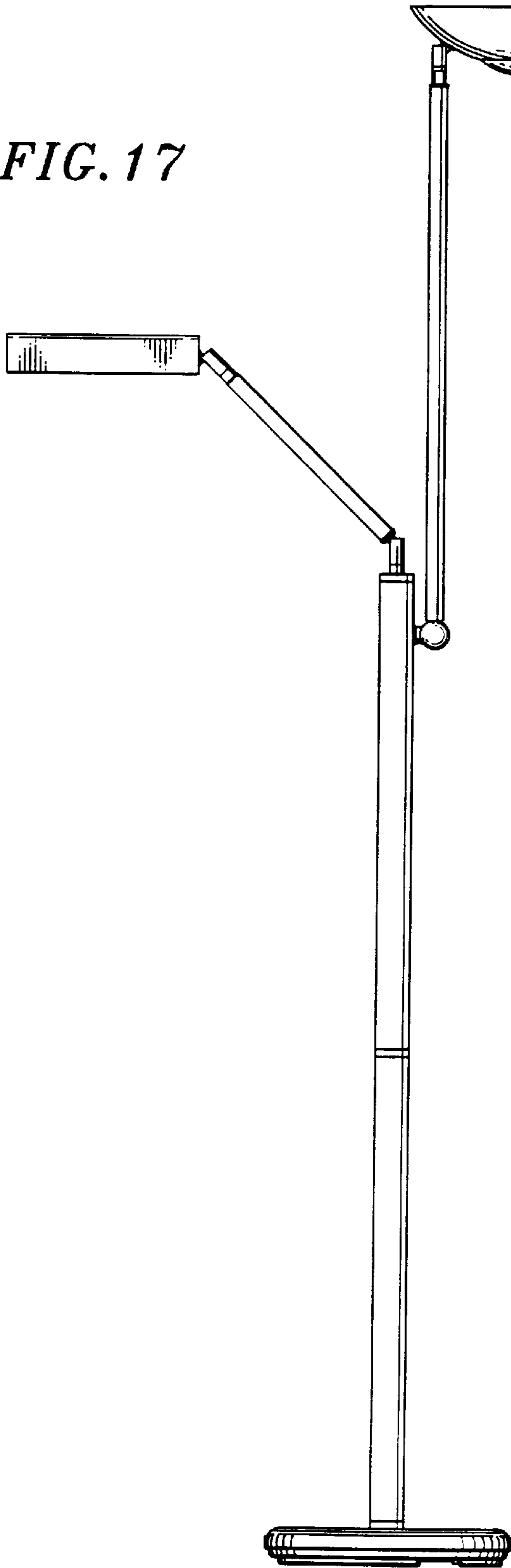
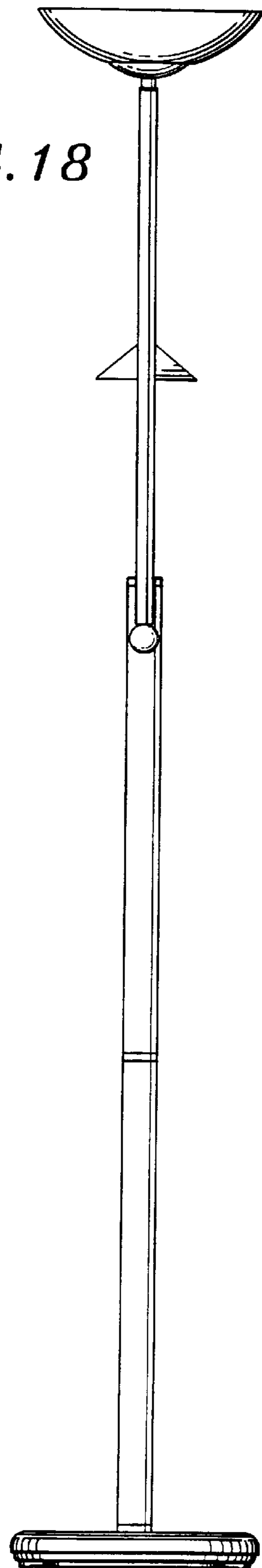


FIG. 18



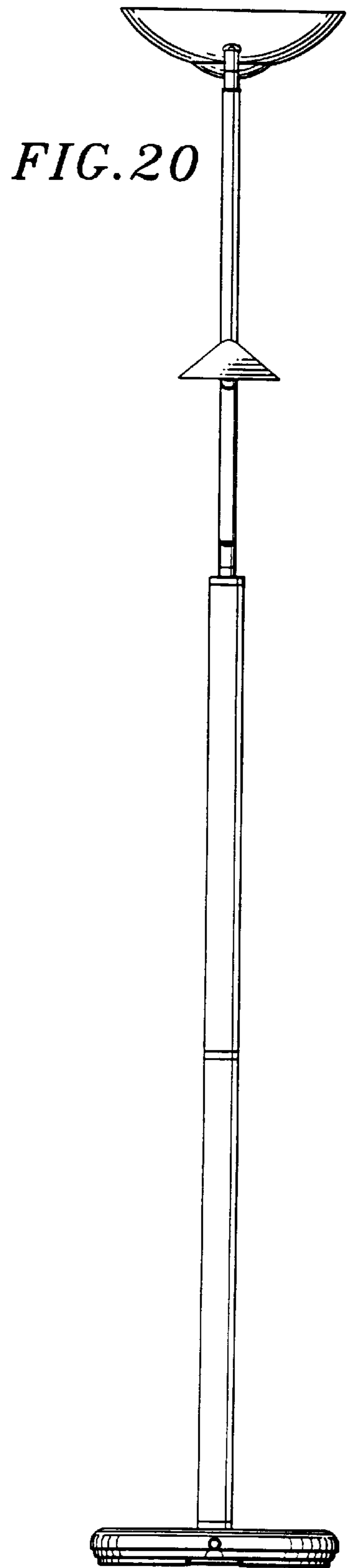
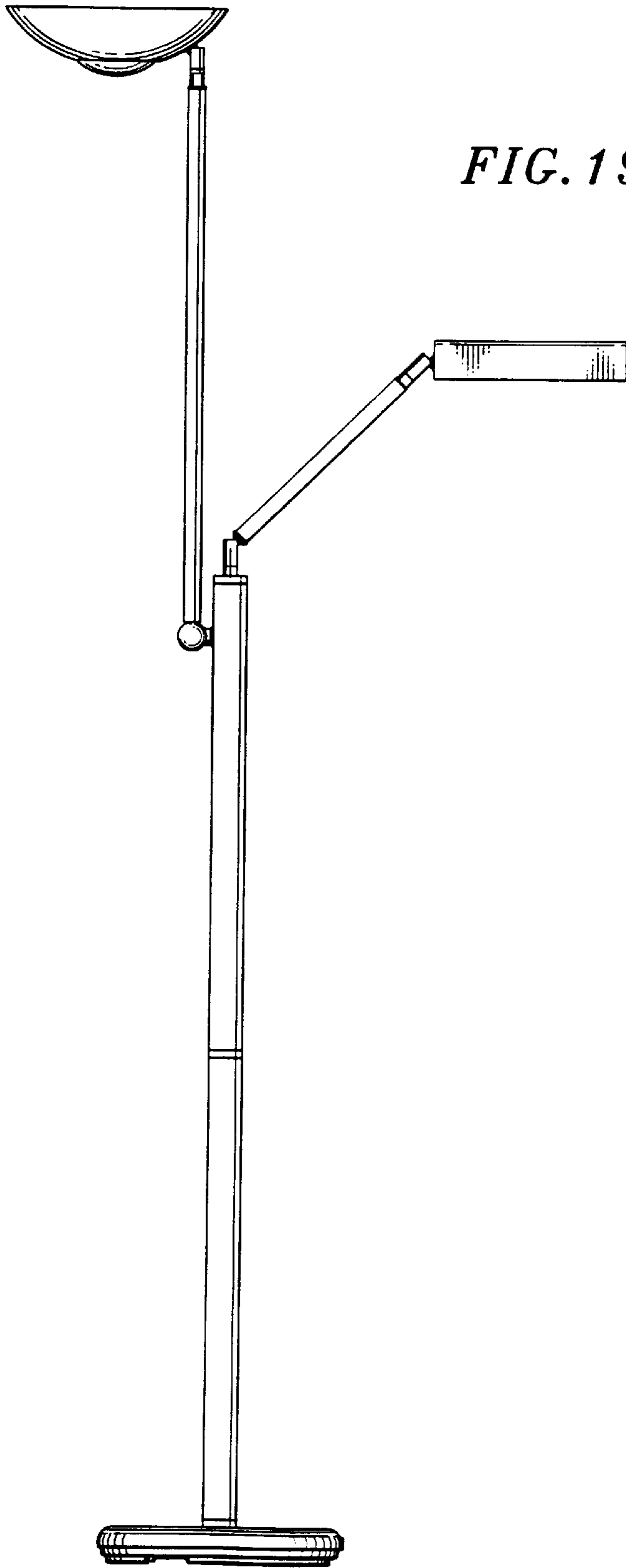


FIG. 21

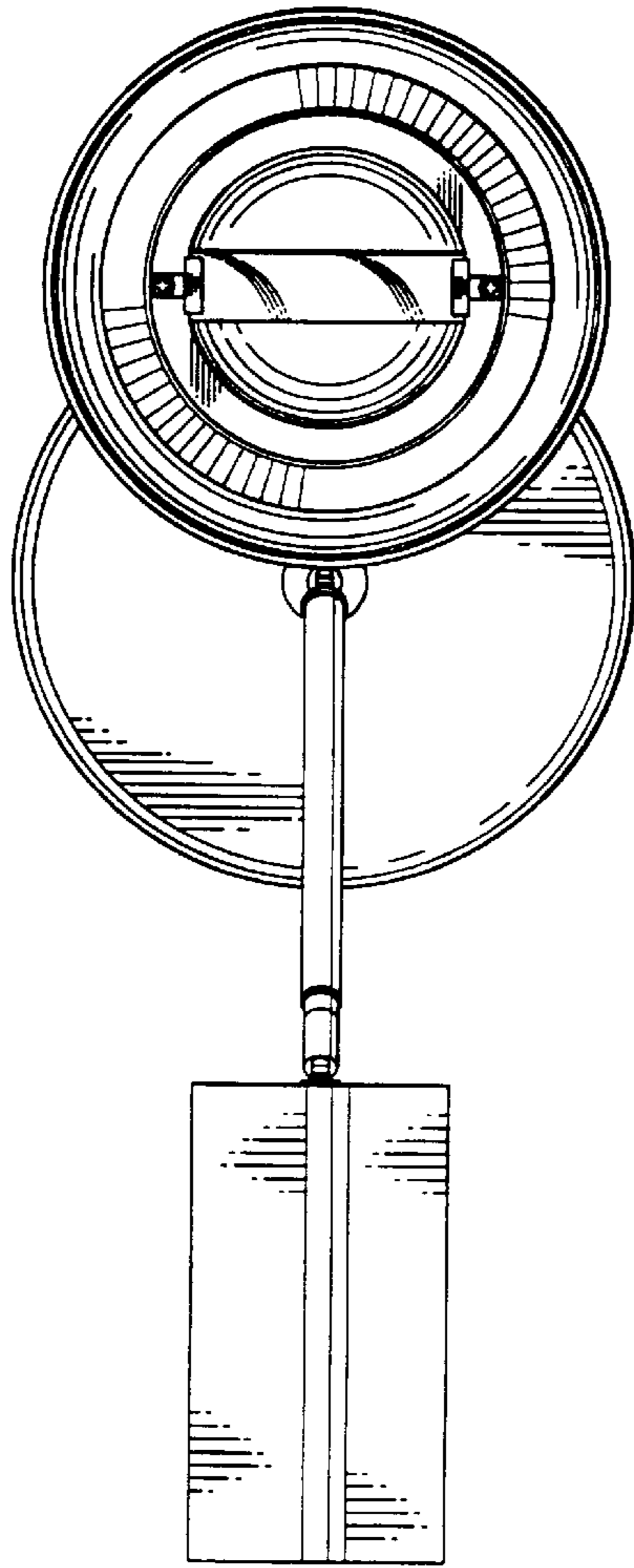


FIG. 22

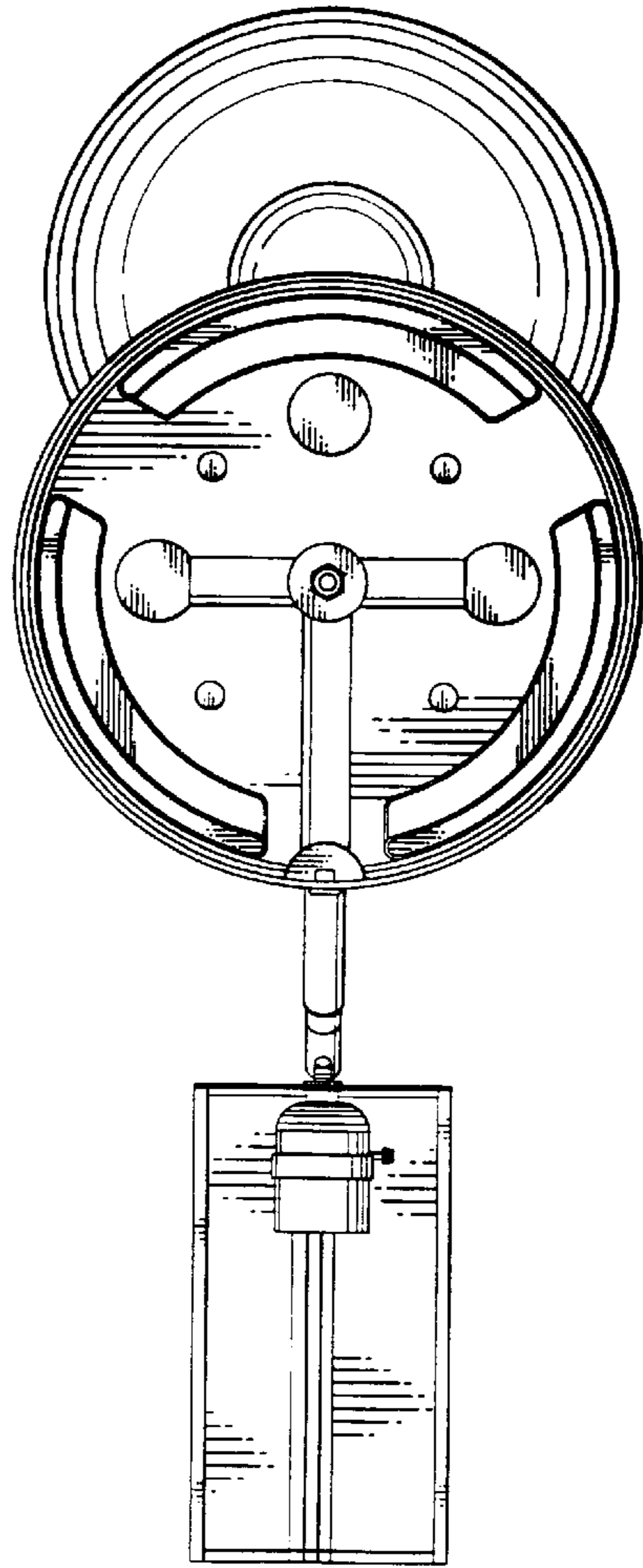
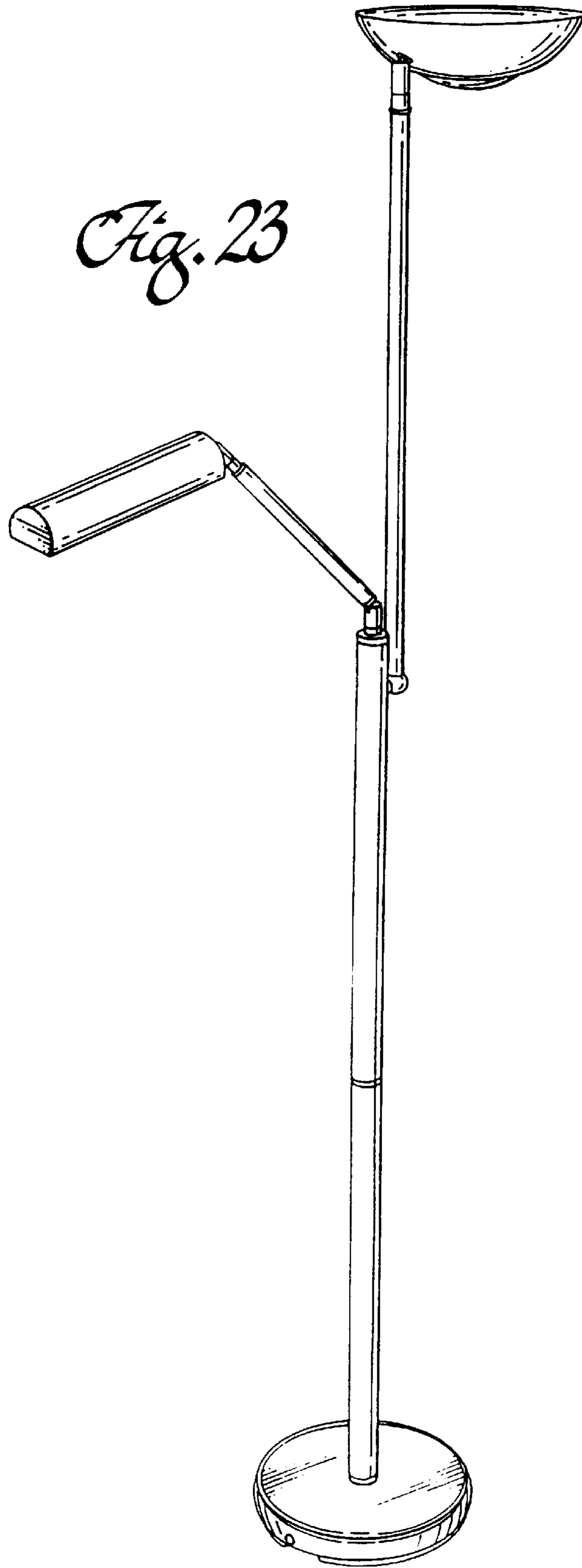
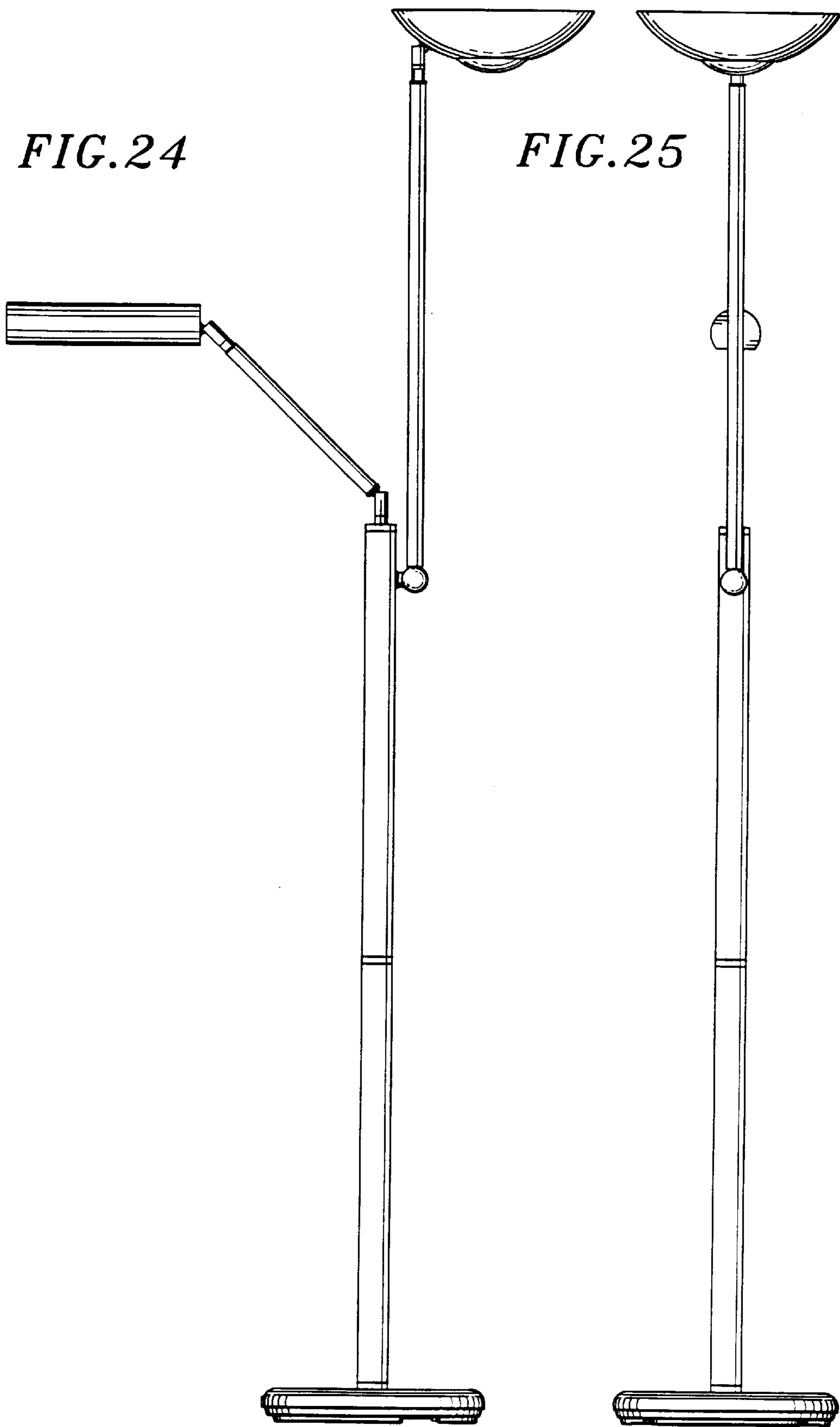


Fig. 23





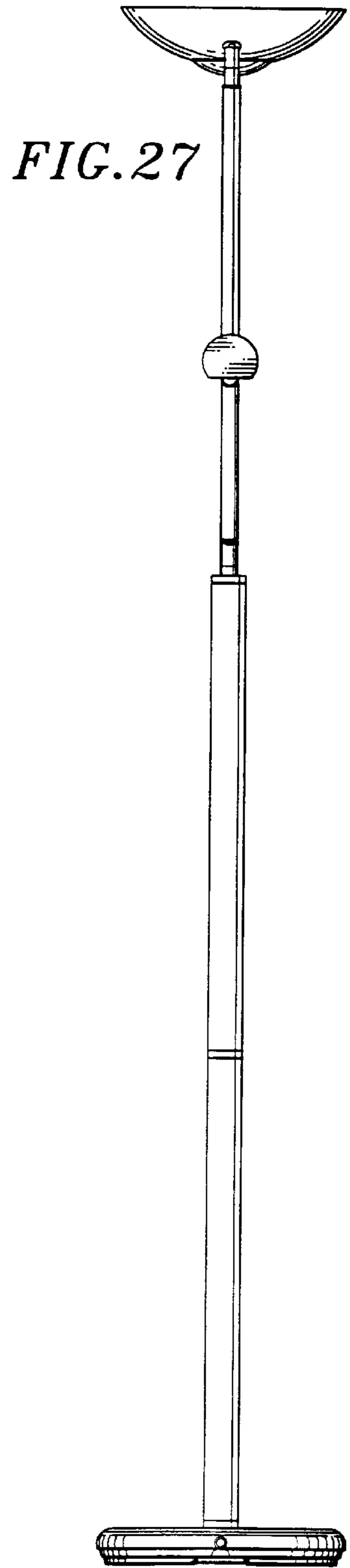
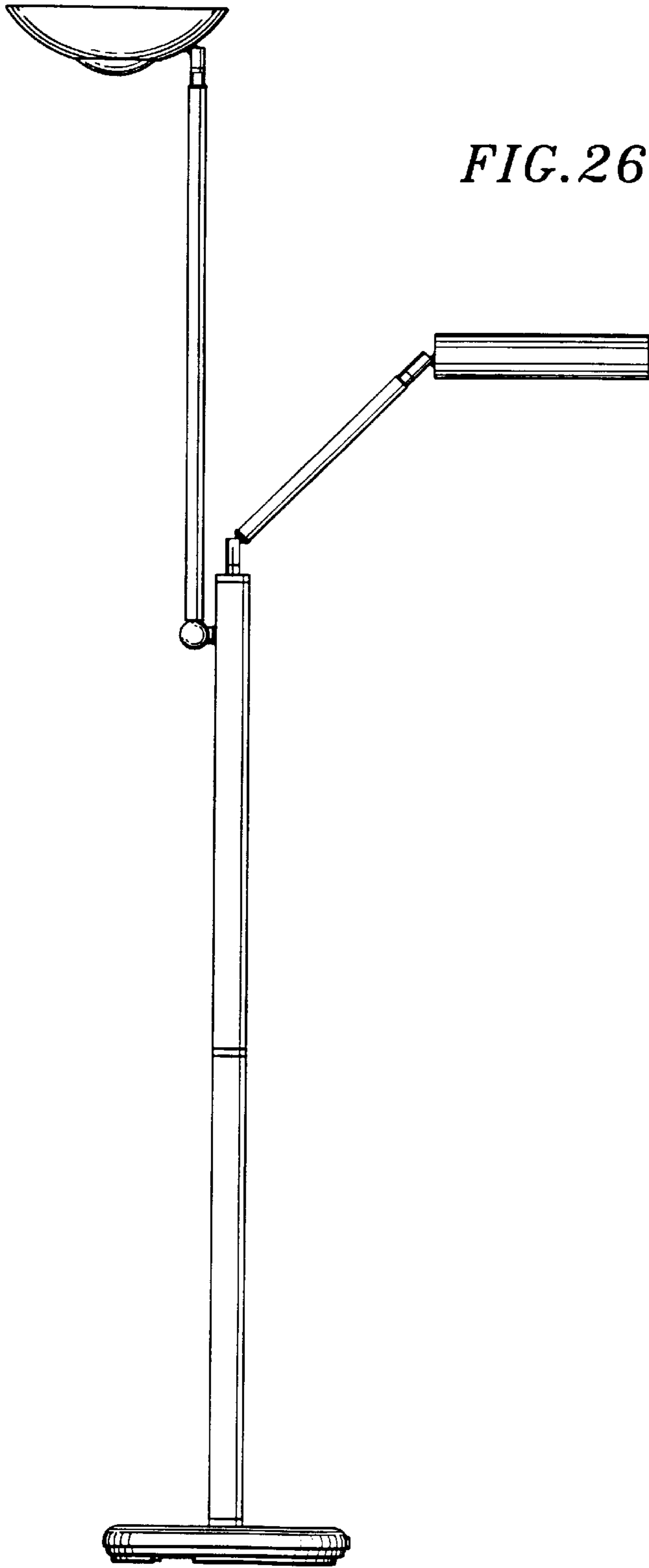


FIG. 28

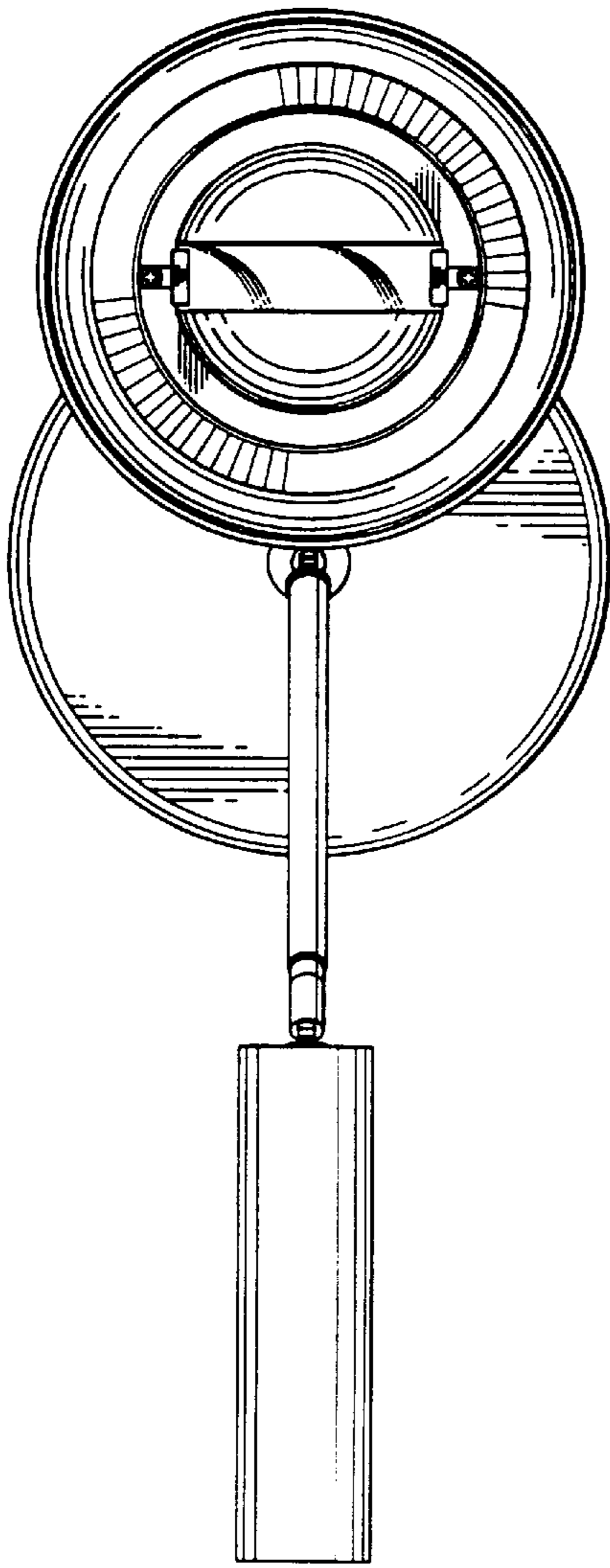


FIG. 29

