



US00D417301S

United States Patent [19] Hein

[11] **Patent Number: Des. 417,301**

[45] **Date of Patent: ** Nov. 30, 1999**

[54] **LIGHT FIXTURE**

[76] Inventor: **William A. Hein**, 607 6th St.,
Manhattan Beach, Calif. 90266

[**] Term: **14 Years**

[21] Appl. No.: **29/094,329**

[22] Filed: **Sep. 30, 1998**

[51] **LOC (6) Cl.** **26-05**

[52] **U.S. Cl.** **D26/63**

[58] **Field of Search** D26/60, 61, 63;
362/269, 277, 285, 287, 418, 419, 427

[56] **References Cited**

U.S. PATENT DOCUMENTS

D. 204,485	4/1966	Harrison et al.	D26/63
D. 277,416	1/1985	Brown	D26/63
D. 316,306	4/1991	Shemitz	D26/63 X
2,203,410	6/1940	Gelb	362/277
5,593,225	1/1997	Safyan	362/427

OTHER PUBLICATIONS

Electrical Consultant magazine, p. 18, floodlight, top, left,
Oct. 1969.

Primary Examiner—Susan J. Lucas
Attorney, Agent, or Firm—William Patrick Waters

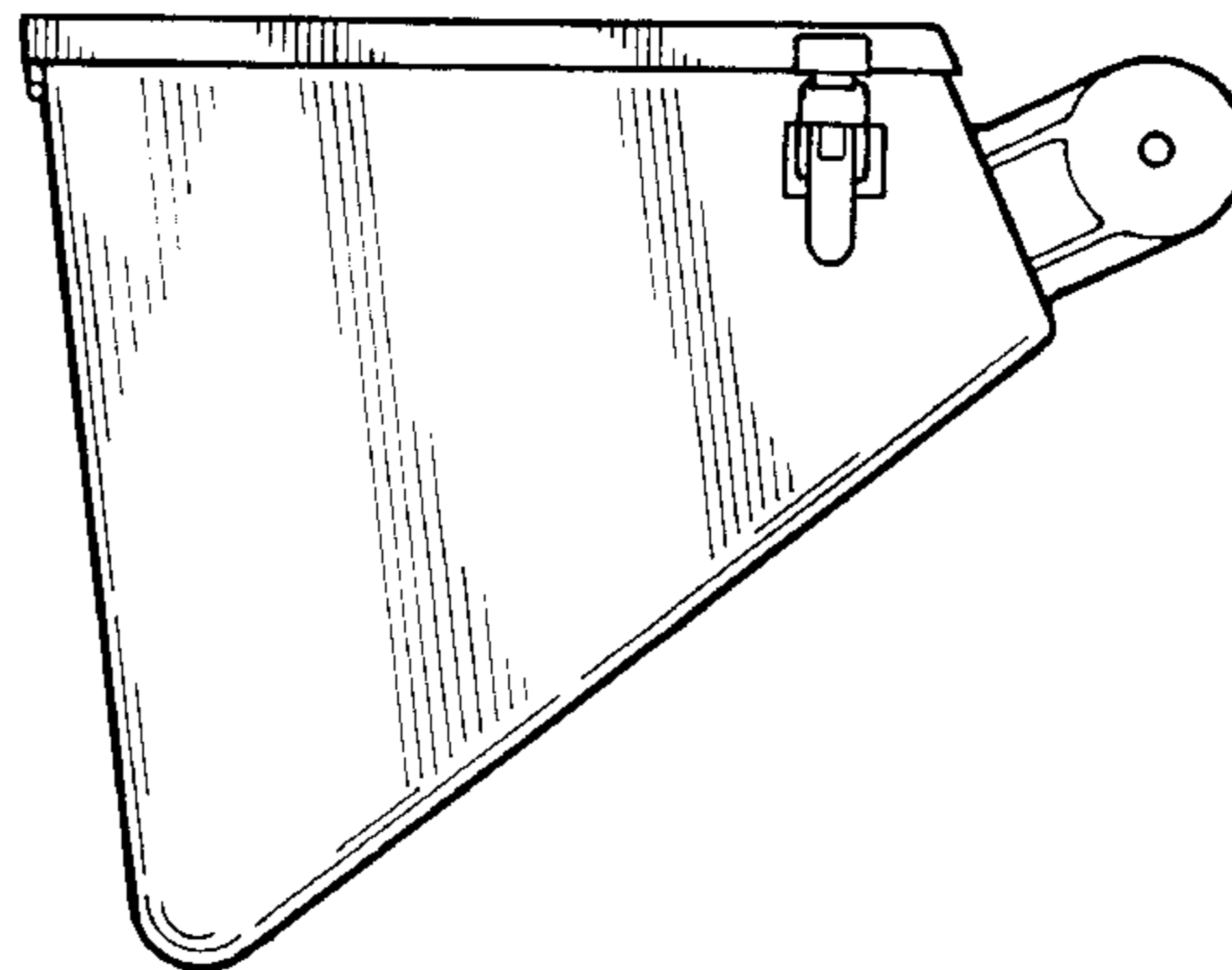
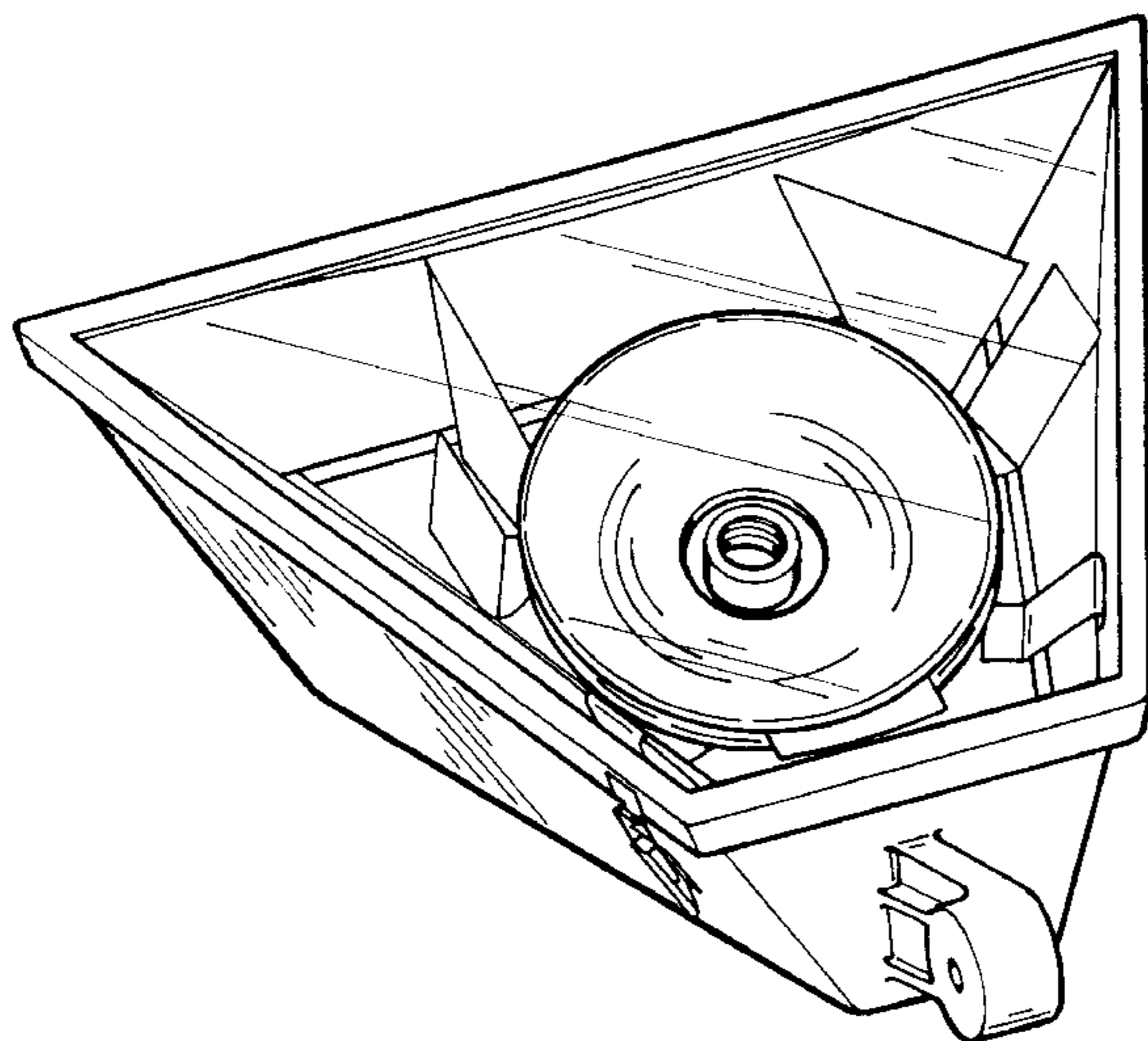
[57] **CLAIM**

The ornamental design for a light fixture, as shown.

DESCRIPTION

FIG. 1 is a front side perspective view of a light fixture showing the design;
FIG. 2 is a top plan view thereof;
FIG. 3 is a bottom plan view thereof
FIG. 4 is a front elevational view thereof;
FIG. 5 is a rear elevational view thereof;
FIG. 6 is a right side elevational view thereof; and,
FIG. 7 is a left side elevational view thereof.

1 Claim, 2 Drawing Sheets



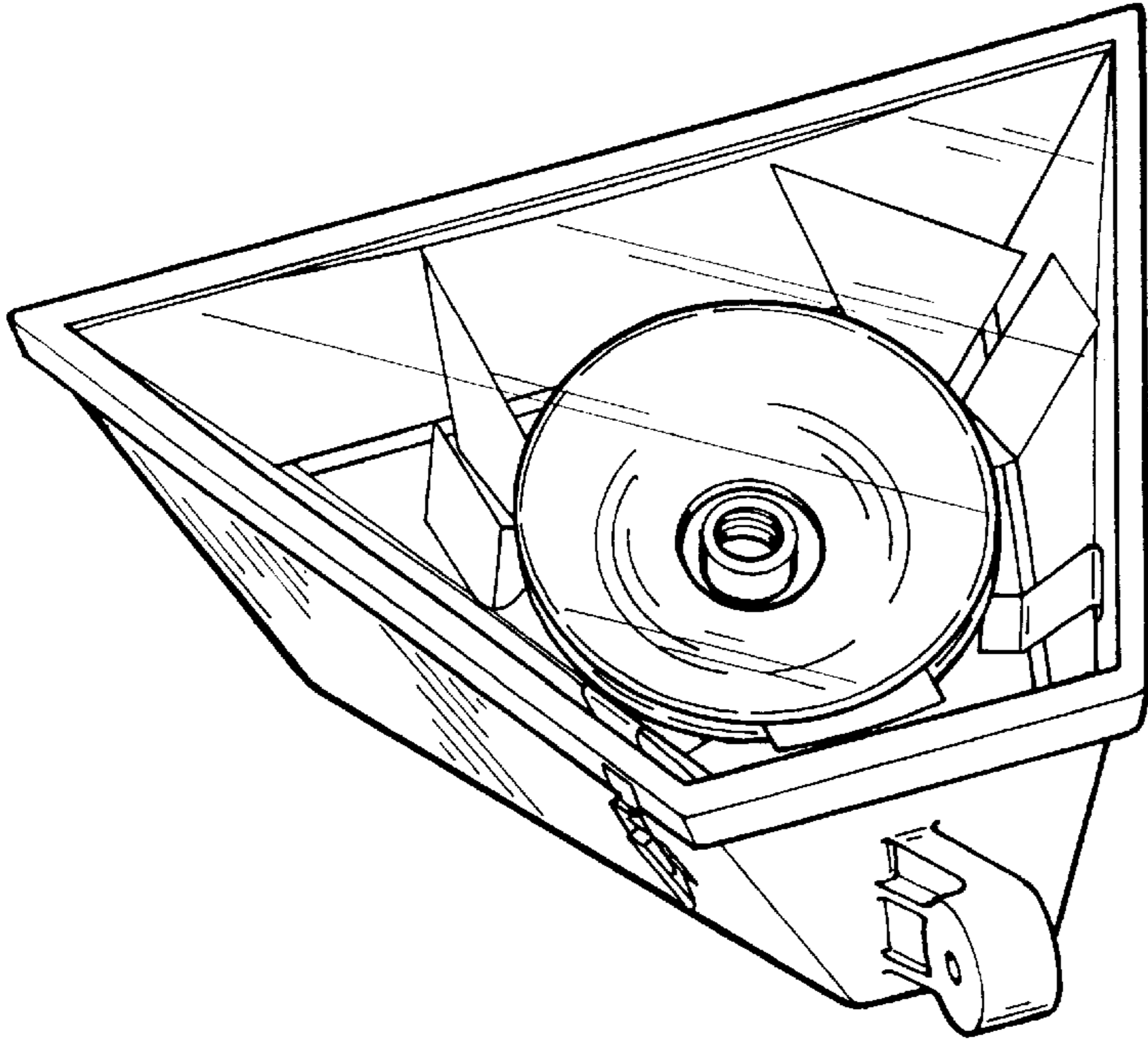


FIG. 1

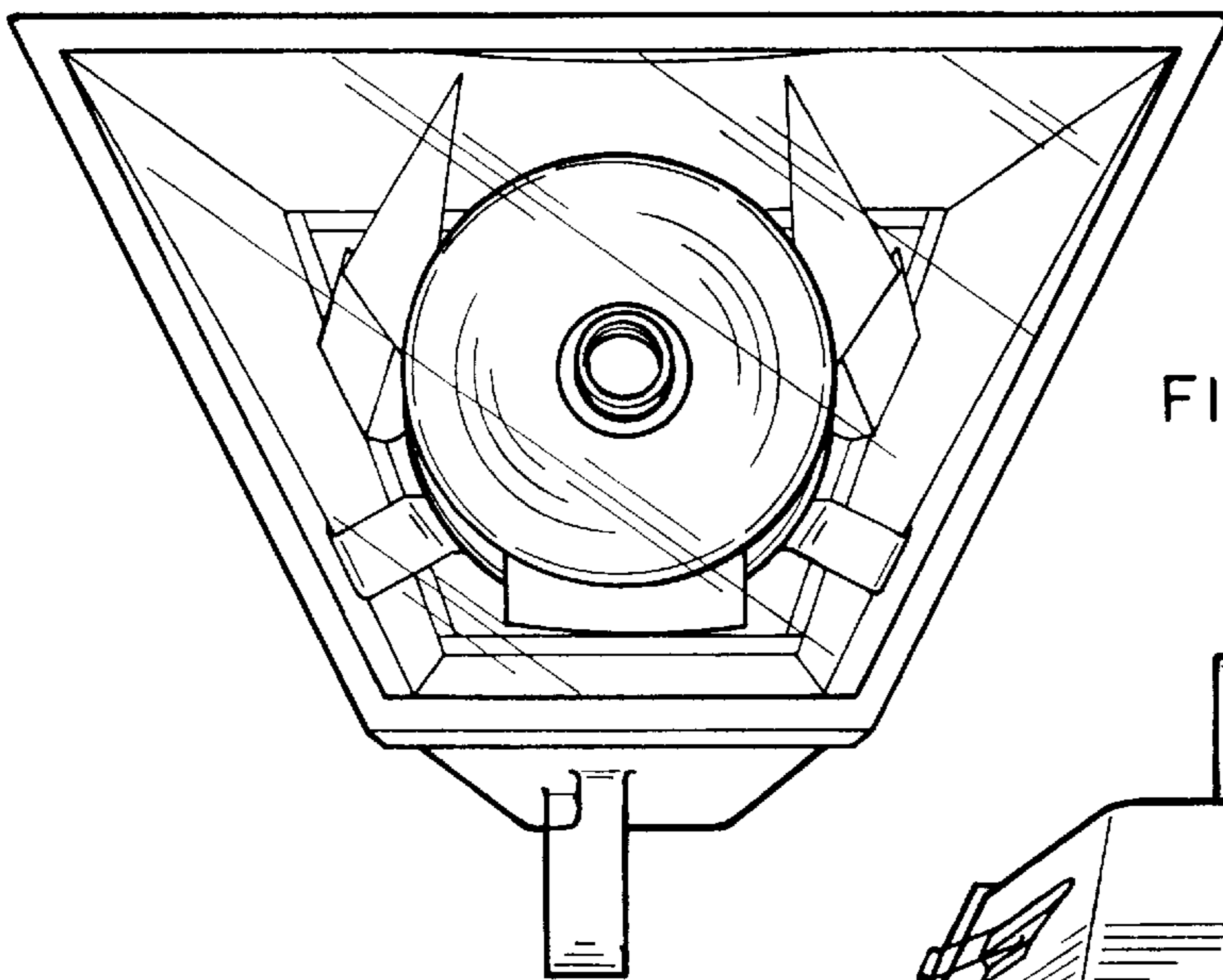


FIG. 2

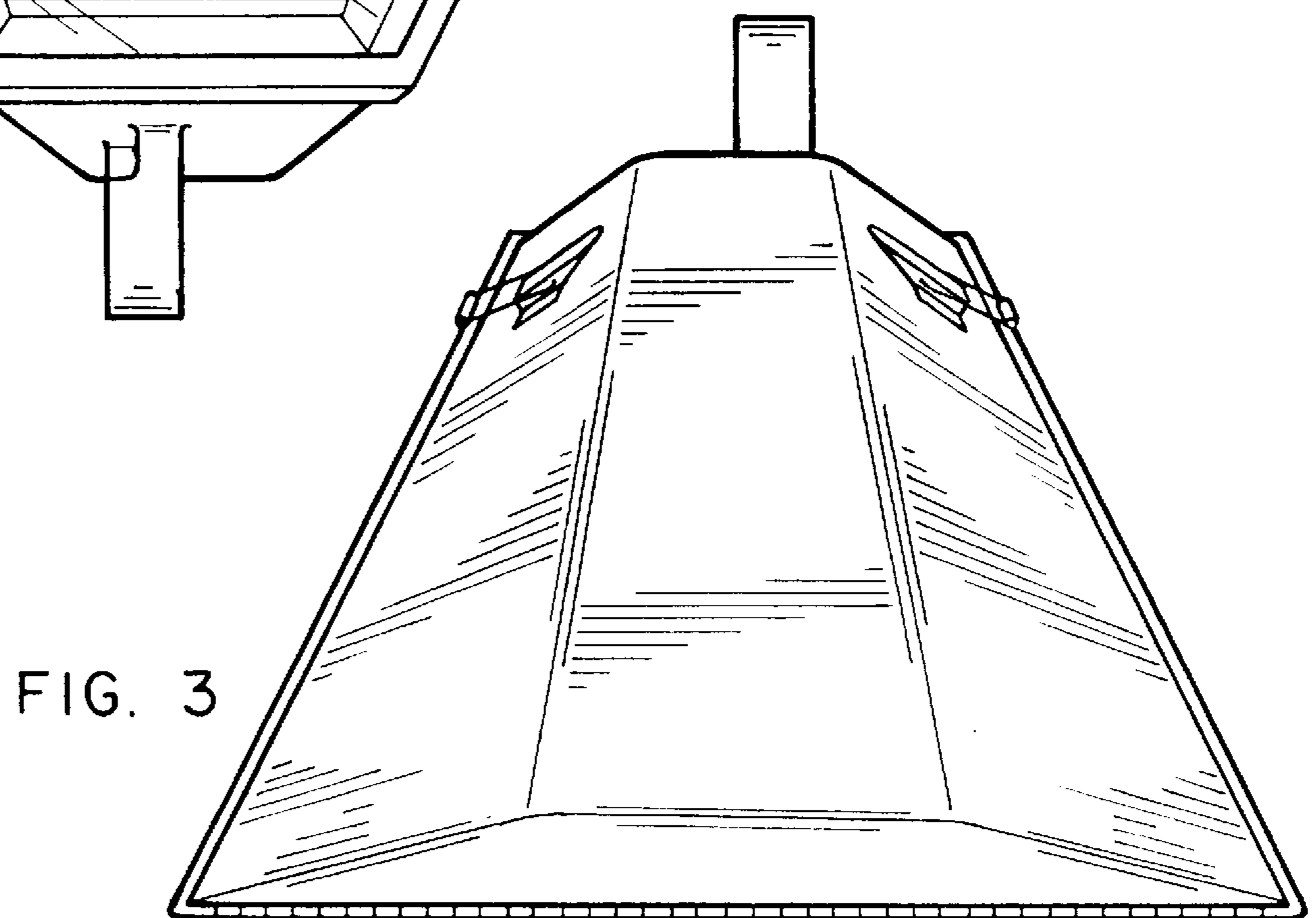


FIG. 3

