



US00D417299S

# United States Patent [19]

[11] **Patent Number: Des. 417,299**

**Hussaini et al.**

[45] **Date of Patent: \*\* Nov. 30, 1999**

## [54] AUXILIARY VEHICLE LIGHT

[75] Inventors: **Saied Hussaini; Marc Iacovelli**, both of Miami, Fla.

[73] Assignee: **Rally Manufacturing, Inc.**, Miami, Fla.

[\*\*] Term: **14 Years**

[21] Appl. No.: **29/095,790**

[22] Filed: **Oct. 30, 1998**

[51] **LOC (6) Cl.** ..... **26-06**

[52] **U.S. Cl.** ..... **D26/29**

[58] **Field of Search** ..... D26/28, 29, 36;  
362/460, 464, 465, 467, 493, 499, 507,  
512, 523, 529, 530, 538, 269, 277, 285,  
287, 418, 419, 427, 227

## [56] **References Cited**

### U.S. PATENT DOCUMENTS

D. 354,362	1/1995	Tsai	.....	D26/28
D. 357,329	4/1995	Iacovelli	.....	D26/28
D. 390,979	2/1998	Yammoto	.....	D26/28
5,611,510	3/1997	Yamamoto	.....	D26/269

*Primary Examiner*—Susan J. Lucas  
*Attorney, Agent, or Firm*—Liniak, Berenato, Longacre & White

## [57] **CLAIM**

The ornamental design for an auxiliary vehicle light, as shown and described.

## **DESCRIPTION**

FIG. 1 is a front view of the auxiliary vehicle light according to the present invention.

FIG. 2 is a rear view of the auxiliary vehicle light of FIG. 1 according to the present invention.

FIG. 3 is a left side view of the auxiliary vehicle light of FIG. 1 according to the present invention.

FIG. 4 is a right side view of the auxiliary vehicle light of FIG. 1 according to the present invention.

FIG. 5 is a top view of the auxiliary vehicle light of FIG. 1 according to the present invention.

FIG. 6 is a bottom view of the auxiliary vehicle light of FIG. 1 according to the present invention; and,

FIG. 7 is an perspective view of the auxiliary vehicle light of FIG. 1 according to the present invention.

The broken lines are shown for illustrative purposes only and form no part of the claimed design.

**1 Claim, 4 Drawing Sheets**

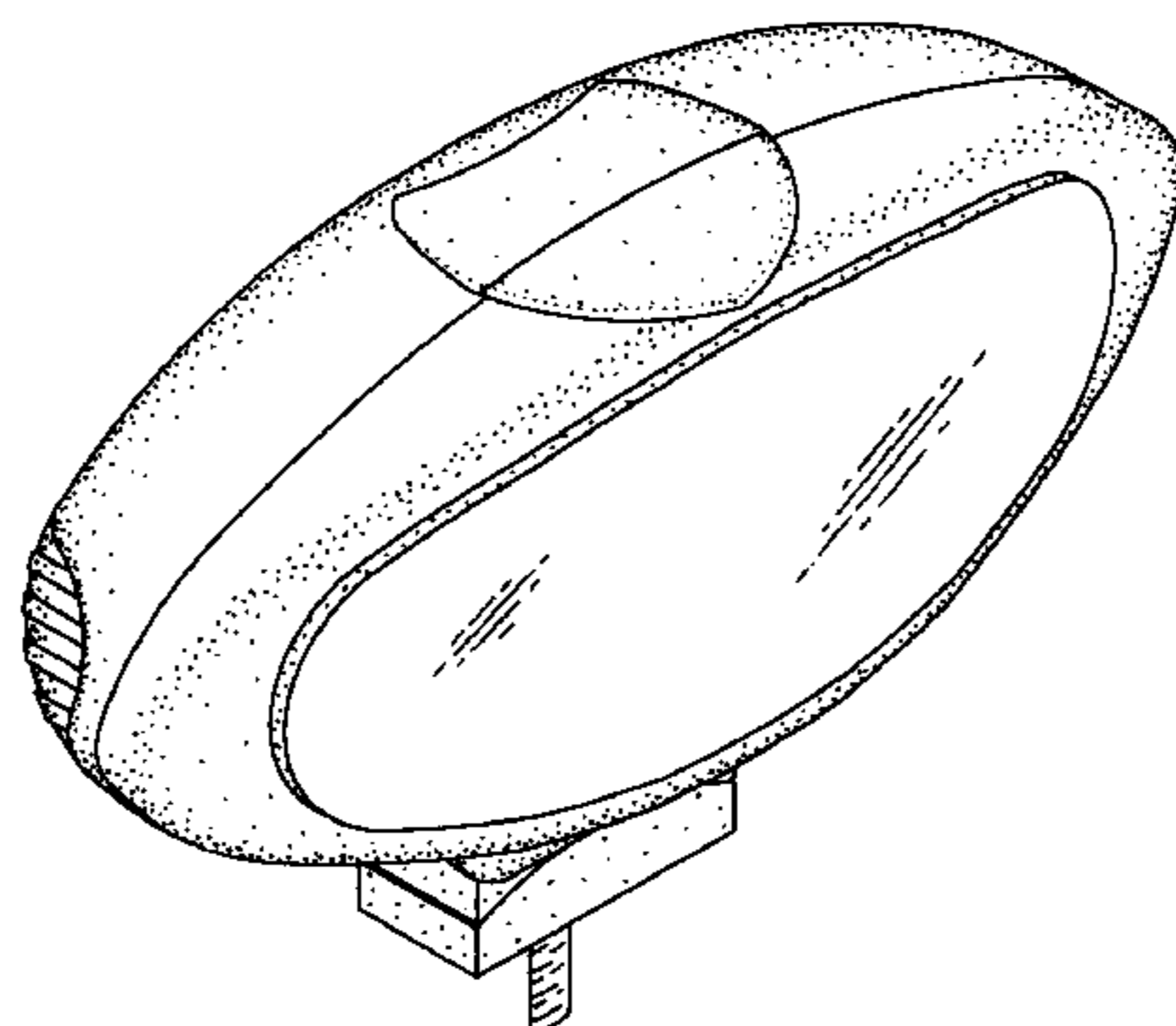
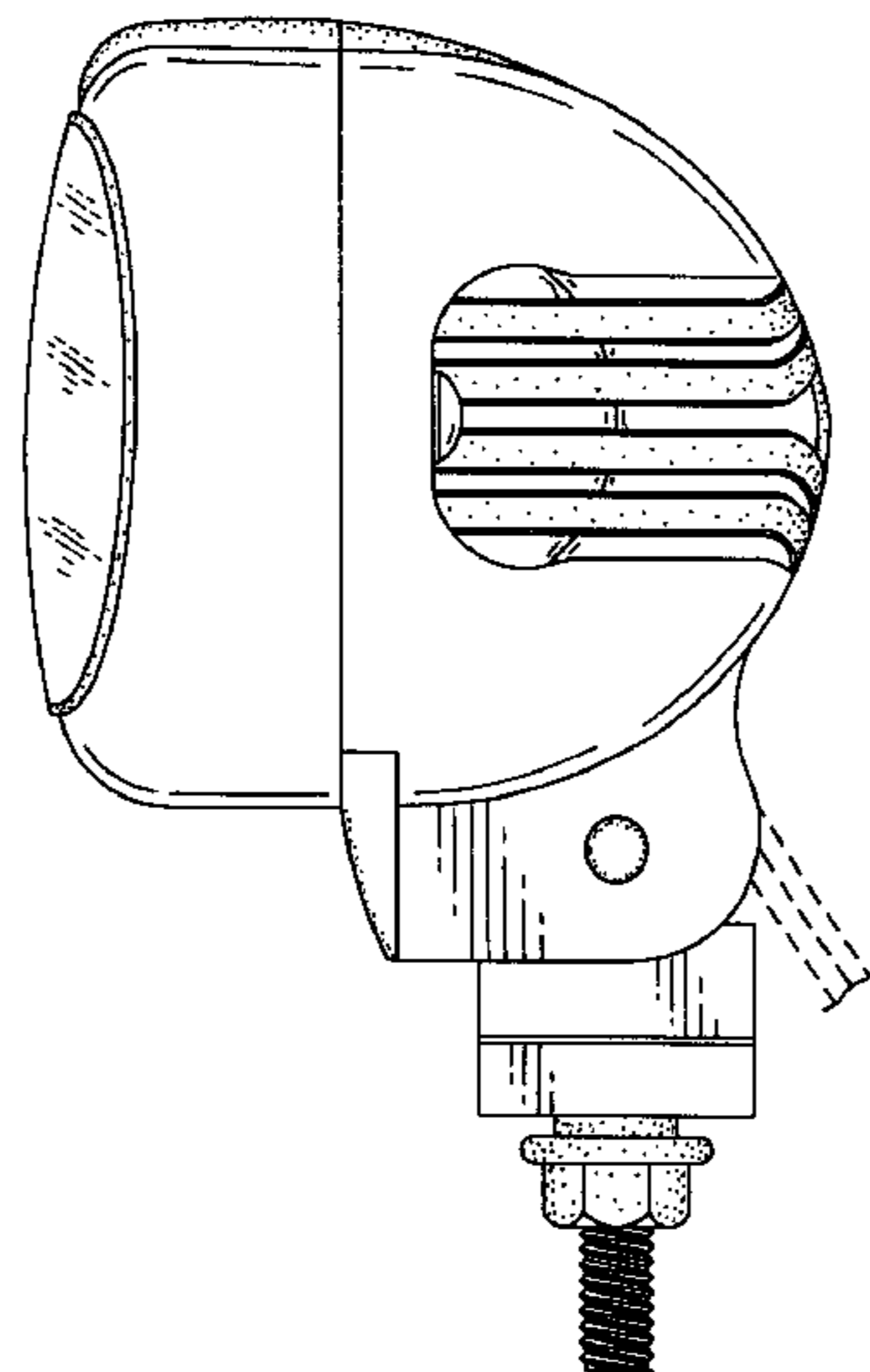


Fig. 1

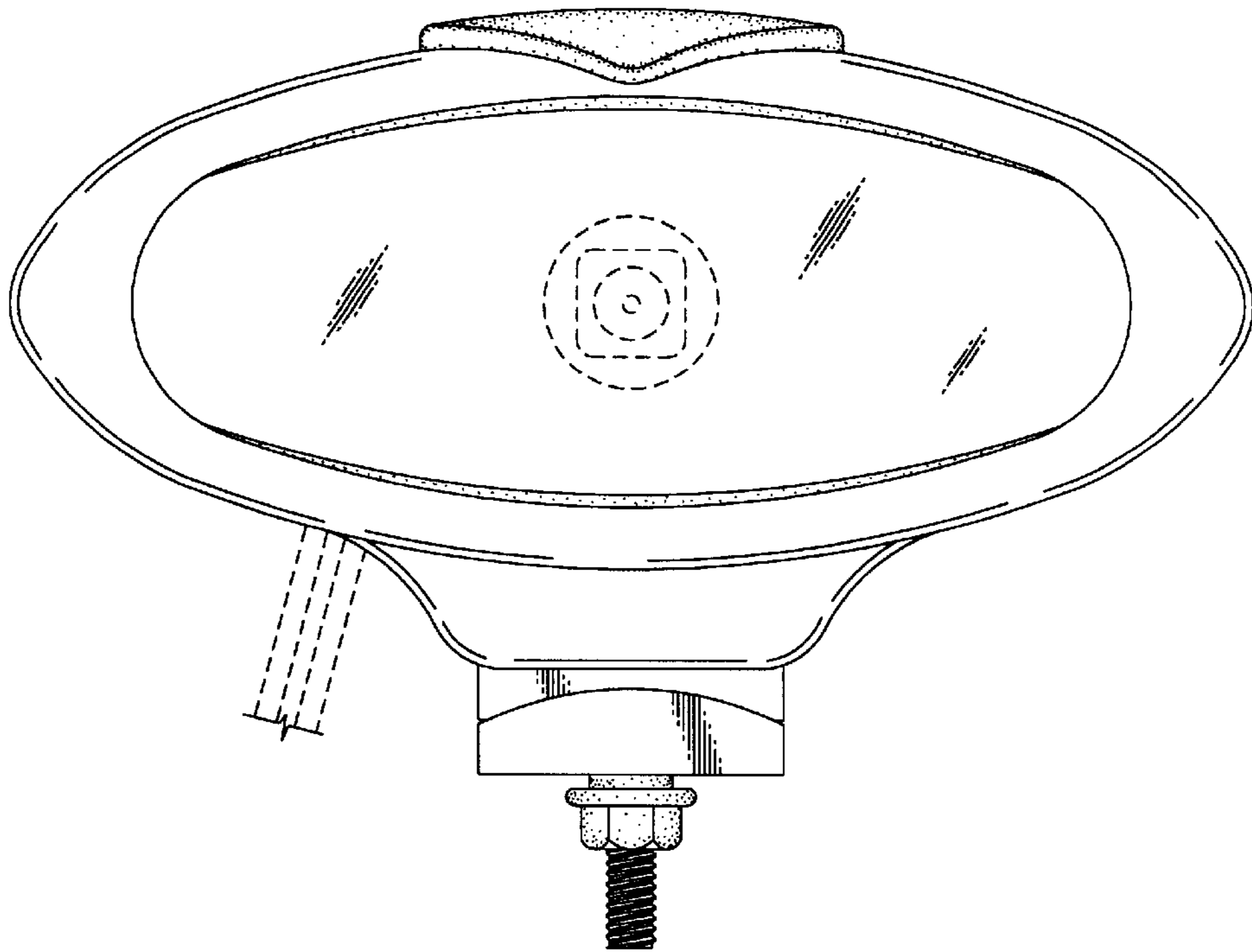


Fig. 2

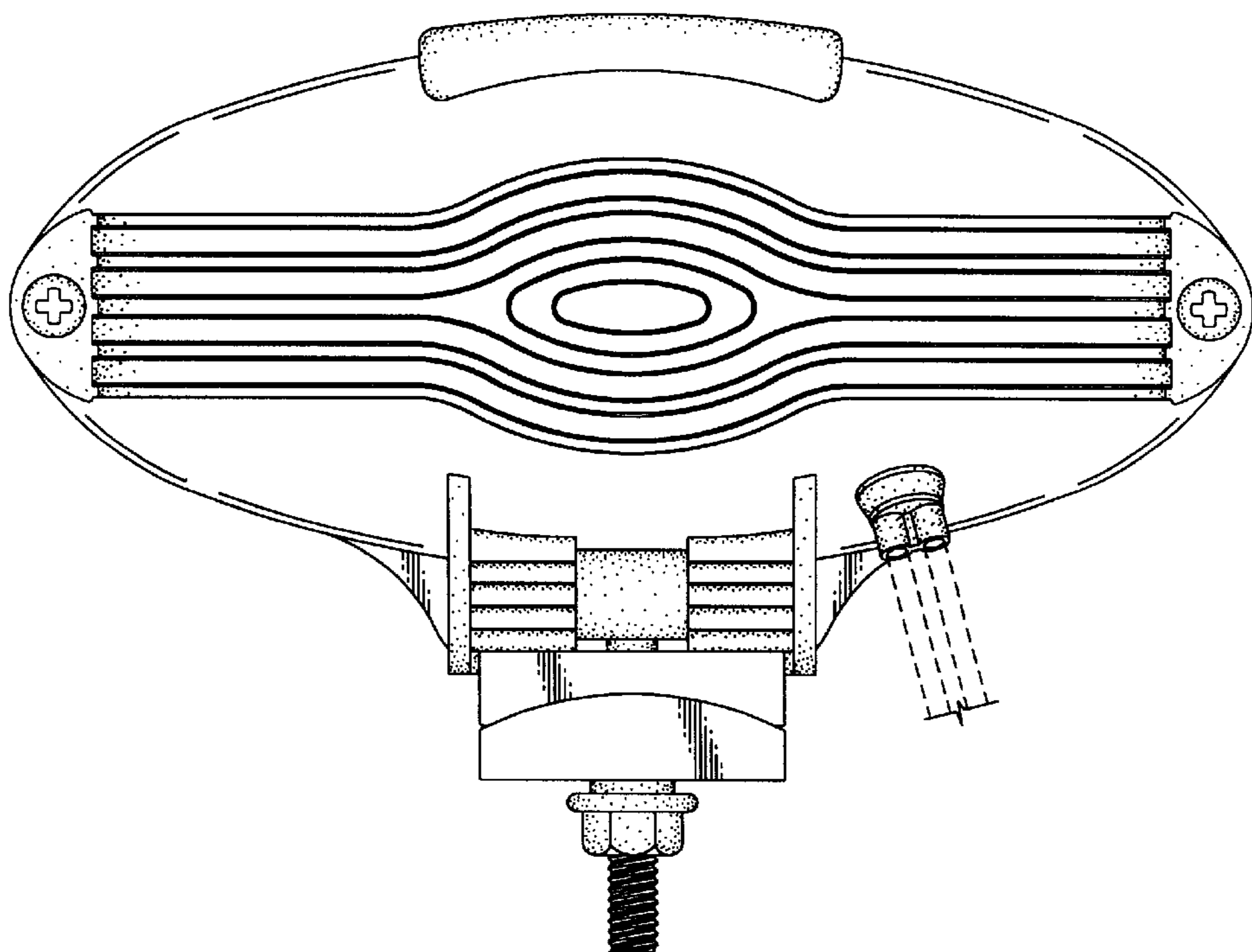


Fig. 3

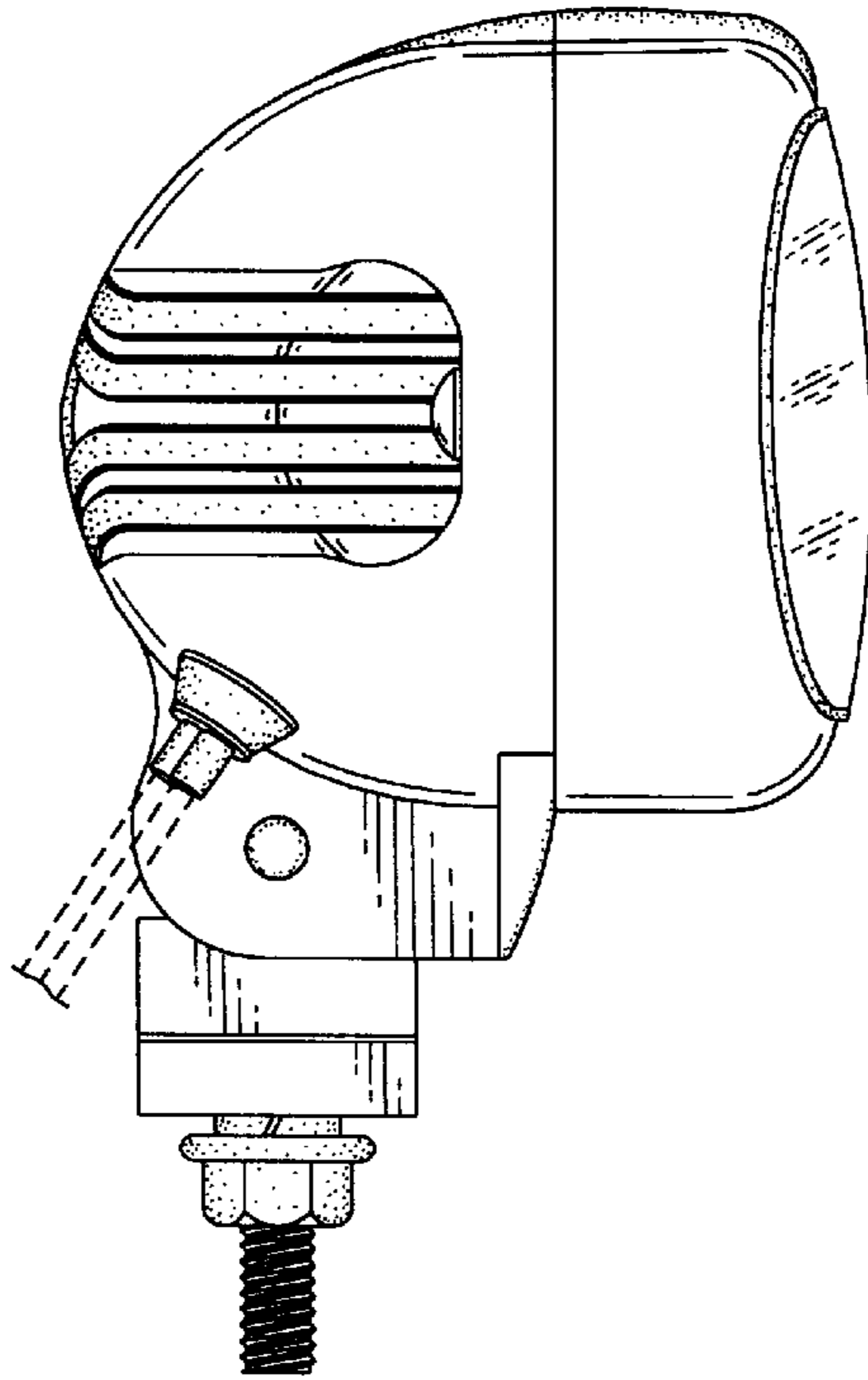


Fig. 4

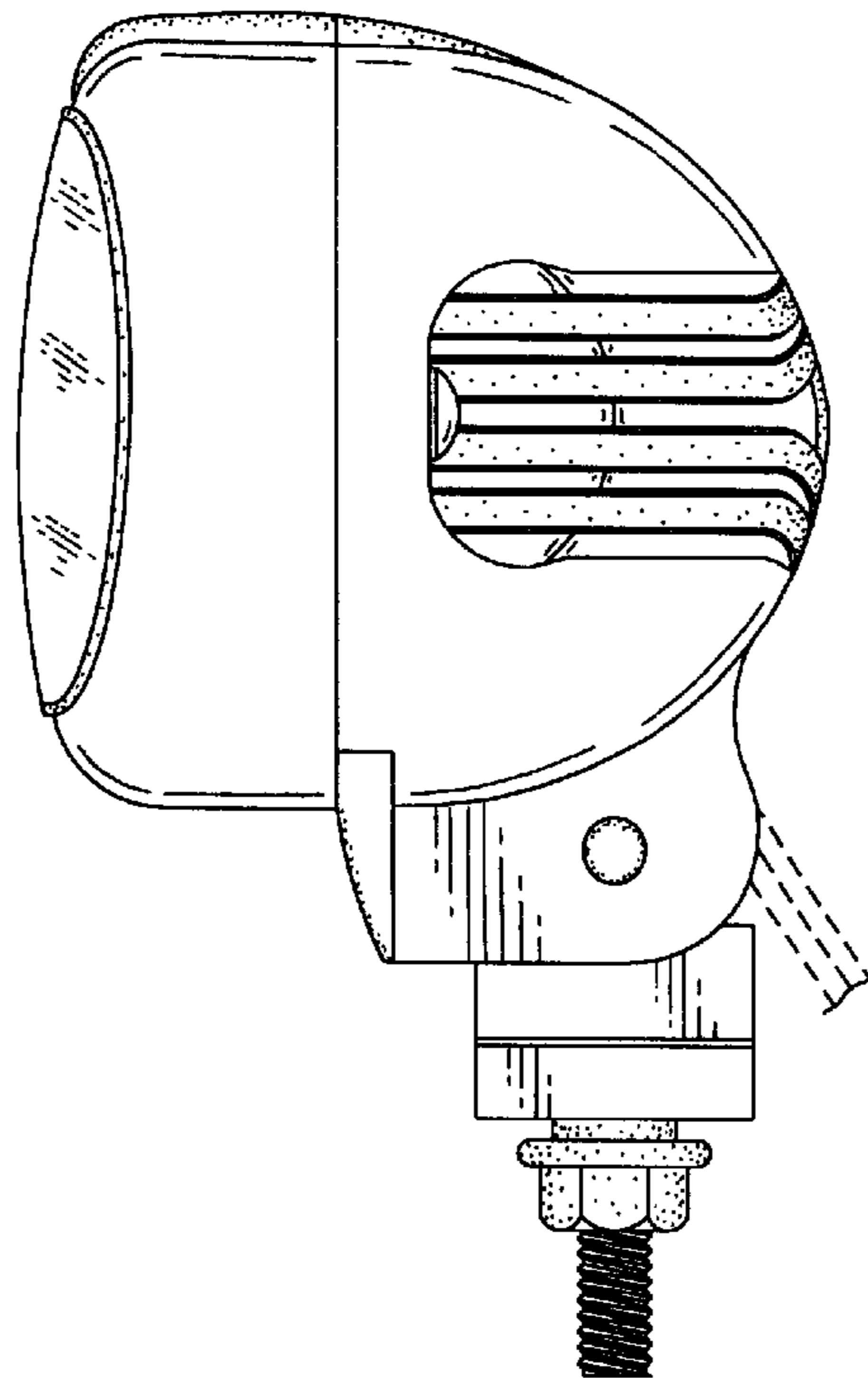


Fig. 5

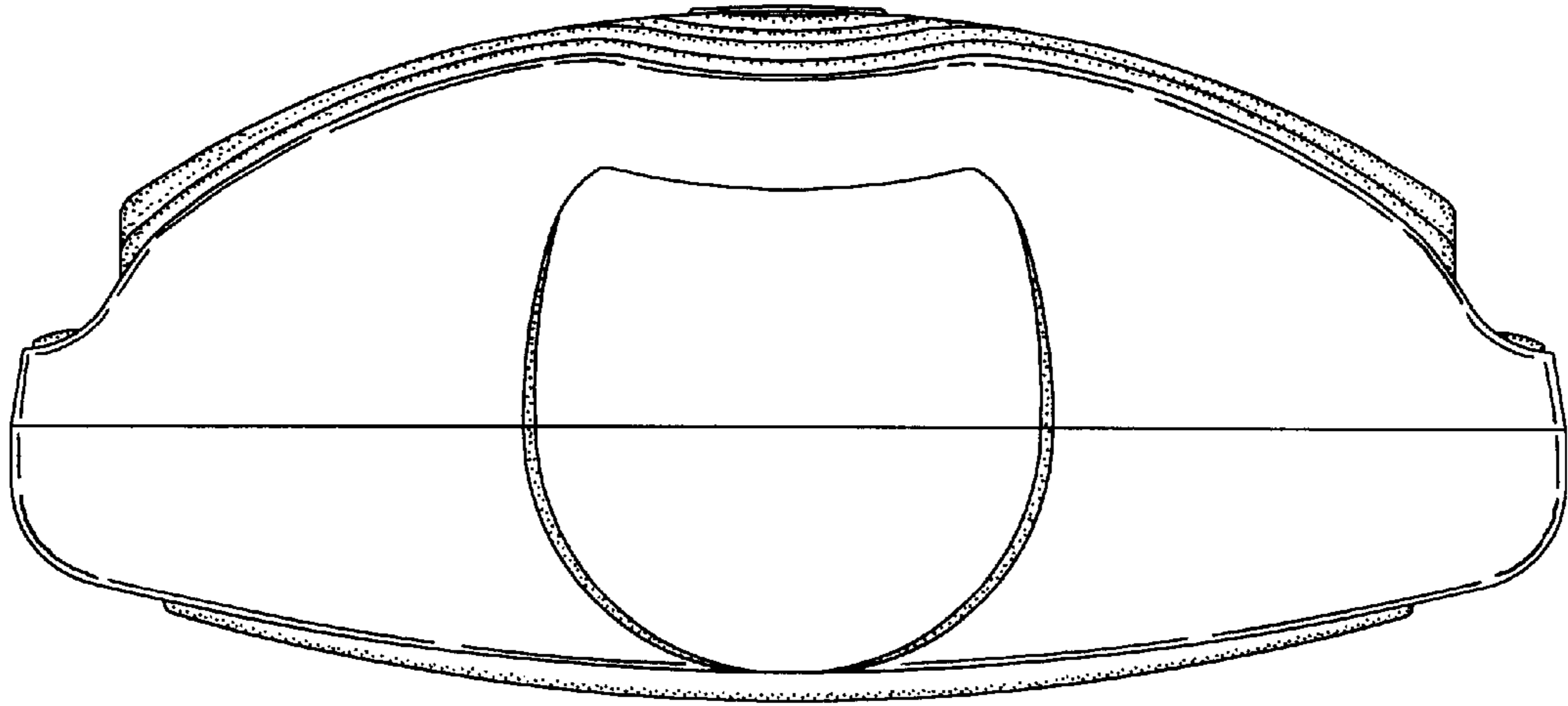


Fig. 6

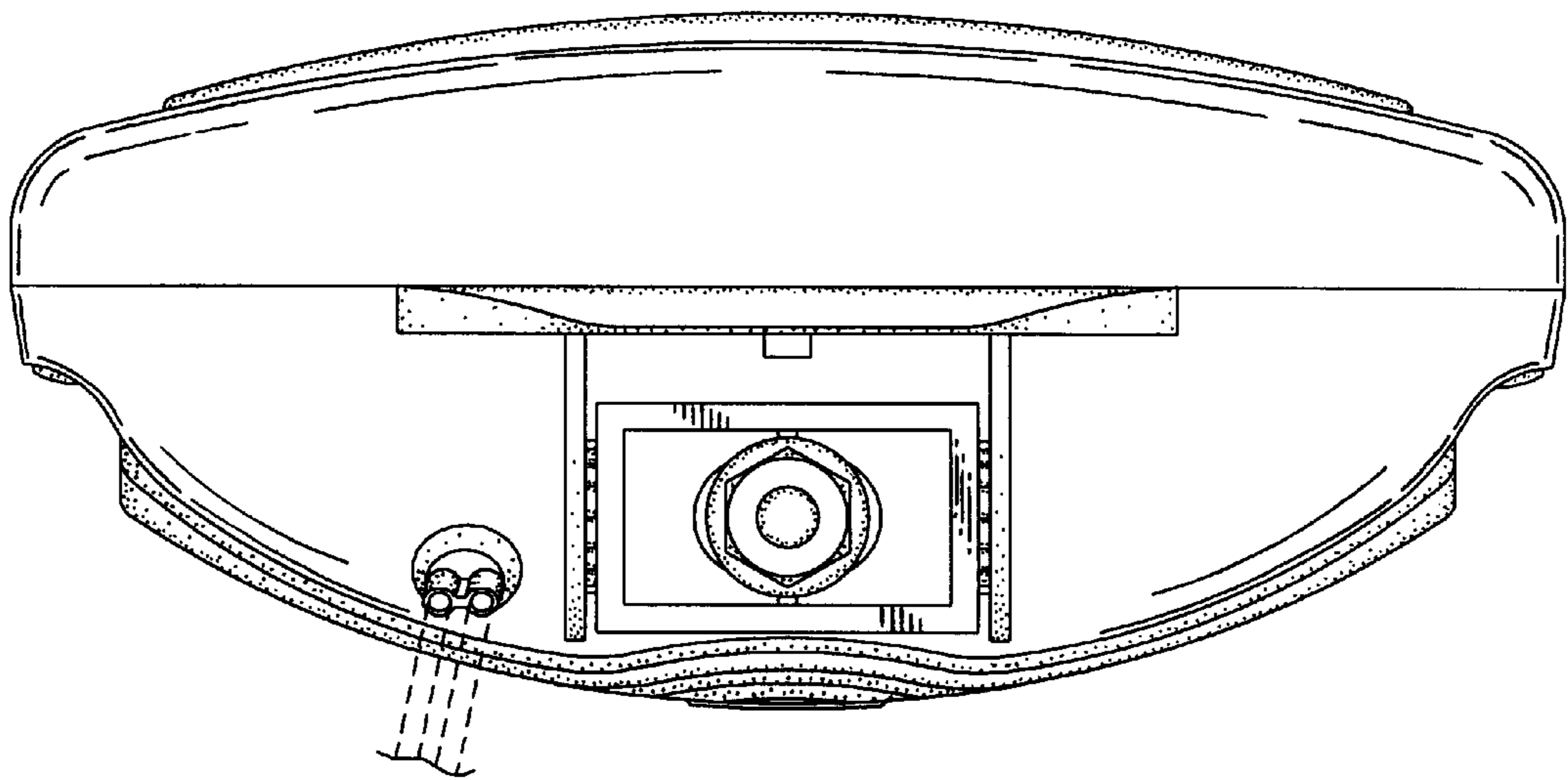


Fig. 7

