



US00D417298S

United States Patent [19]

Paffrath et al.

[11] Patent Number: Des. 417,298

[45] Date of Patent: ** Nov. 30, 1999

[54] **VEHICLE LIGHT**

[75] Inventors: **Edgar C. Paffrath**, Milwaukee;
Spencer A. Darby, West Bend, both of Wis.

[73] Assignee: **Wesbar Corporation**, West Bend, Wis.

[**] Term: **14 Years**

[21] Appl. No.: **29/100,037**

[22] Filed: **Feb. 2, 1999**

[51] **LOC (6) Cl.** **26-04**

[52] **U.S. Cl.** **D26/28**

[58] **Field of Search** D26/28-36, 72,
D26/74, 80-92; 362/61, 74, 80, 269, 275,
268, 329, 330, 331, 336, 364, 372, 432

[56] **References Cited**

U.S. PATENT DOCUMENTS

D. 270,190 8/1983 Ichikawa D26/28

D. 388,523 12/1997 Austin D26/28

Primary Examiner—Marcus A. Jackson

Attorney, Agent, or Firm—Andrus, Scales, Starke & Sawall

[57] **CLAIM**

The ornamental design for a vehicle light, as shown and described.

DESCRIPTION

FIG. 1 is a isometric view of a vehicle light designed according to the present invention with the broken line showing for illustrative purposes only and forming no part of the claimed design;

FIG. 2 is a top plan view of the vehicle light shown in FIG. 1;

FIG. 3 is a front plan view of the vehicle light shown in FIG. 1;

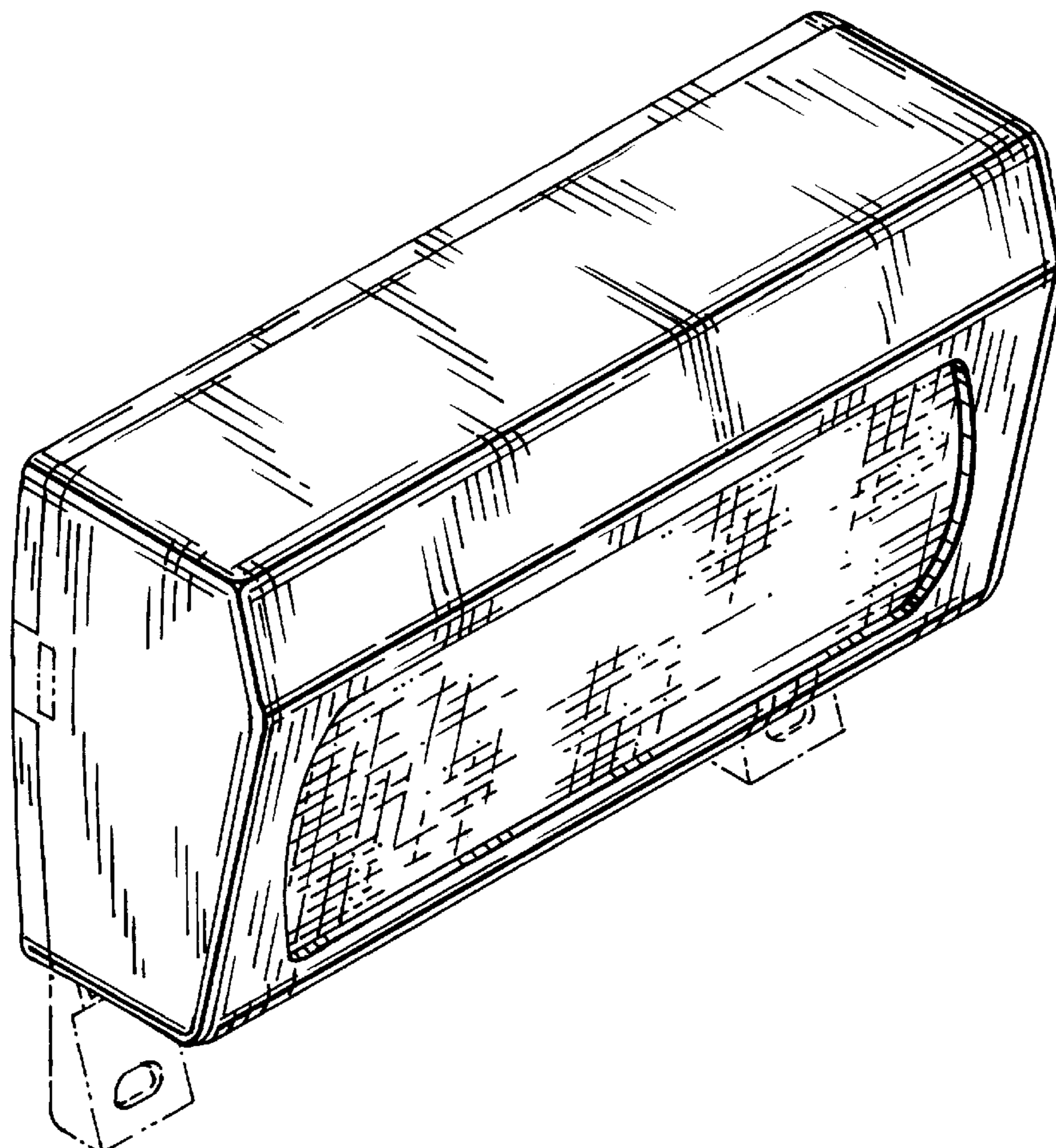
FIG. 4 is a side plan view of the vehicle light disclosed in FIG. 1, with the opposite side view being a mirror image of FIG. 4;

FIG. 5 is a bottom plan view of the vehicle light shown in FIG. 1;

FIG. 6 is a rear plan view of the vehicle light shown in FIG. 1; and,

FIG. 7 is a bottom plan view of an alternative embodiment shown in FIG. 1 having a clear transparent insert placed in the bottom panel of the vehicle light.

1 Claim, 2 Drawing Sheets



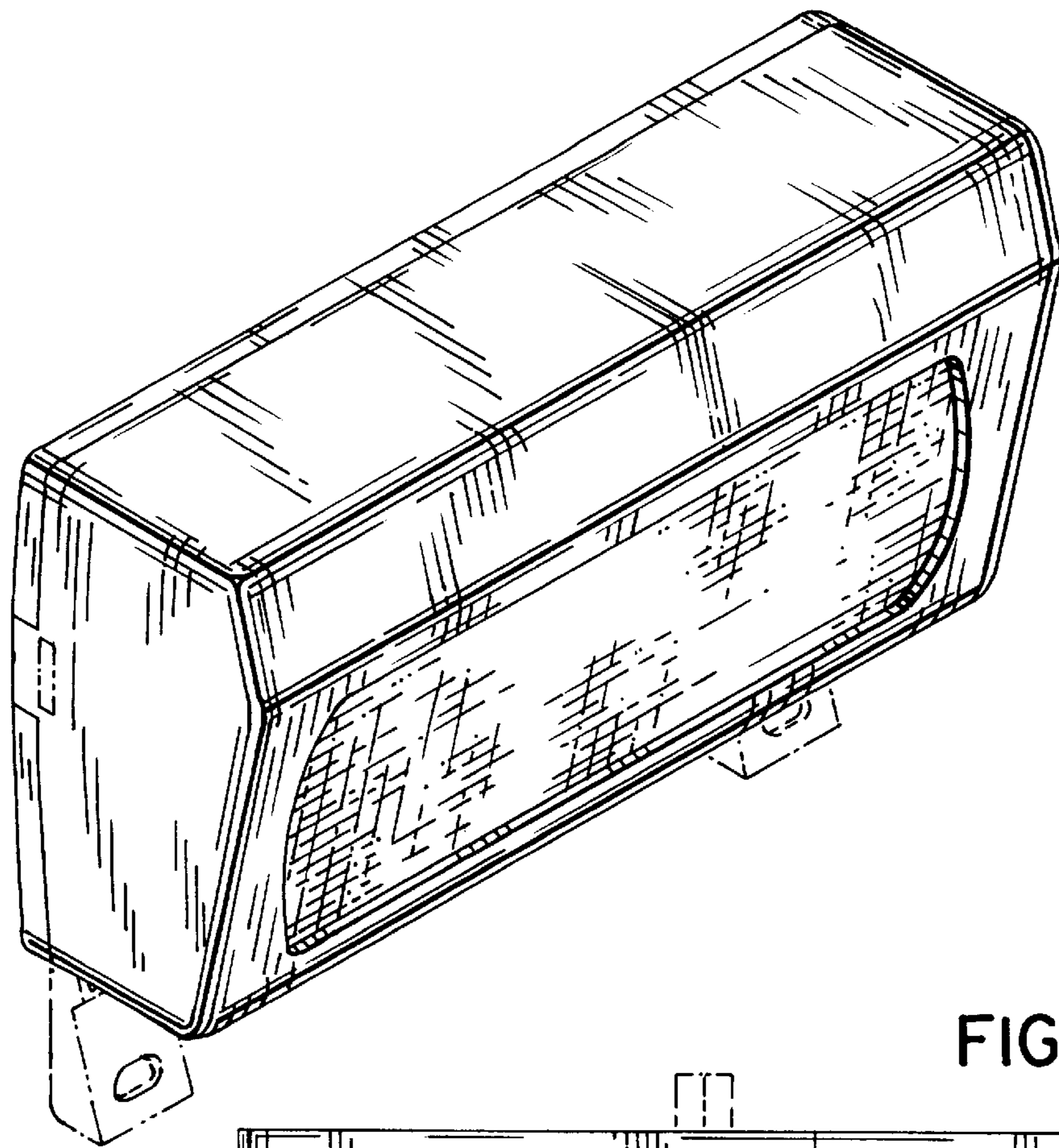


FIG. 1

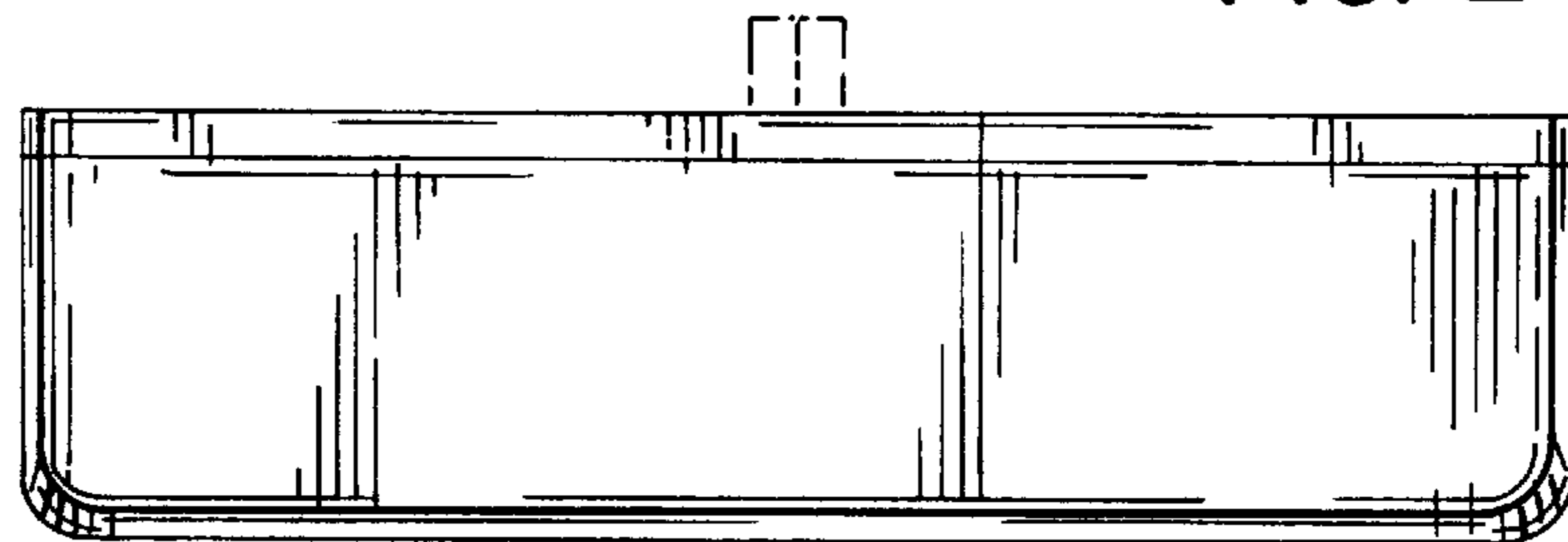


FIG. 2

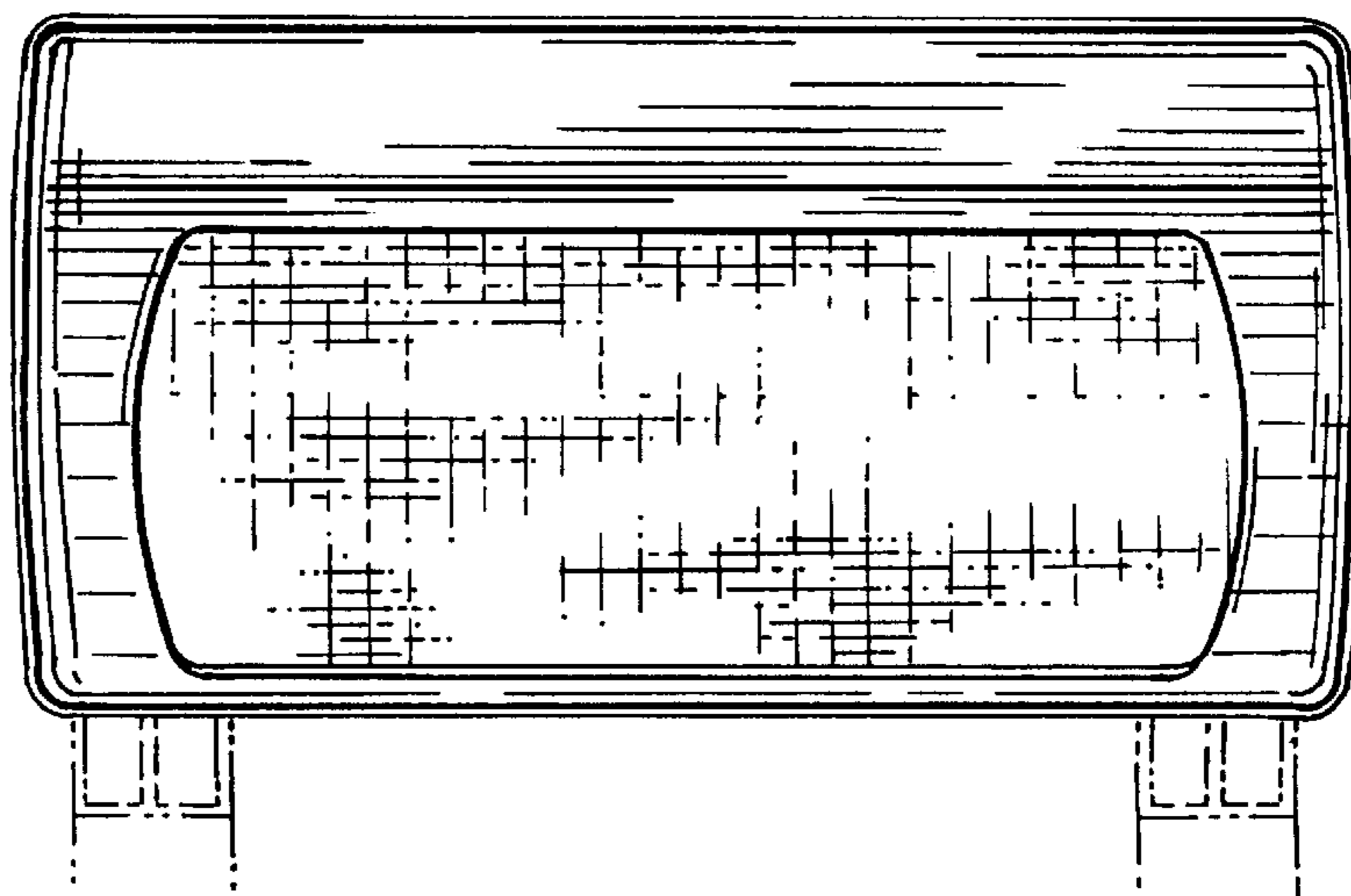


FIG. 3

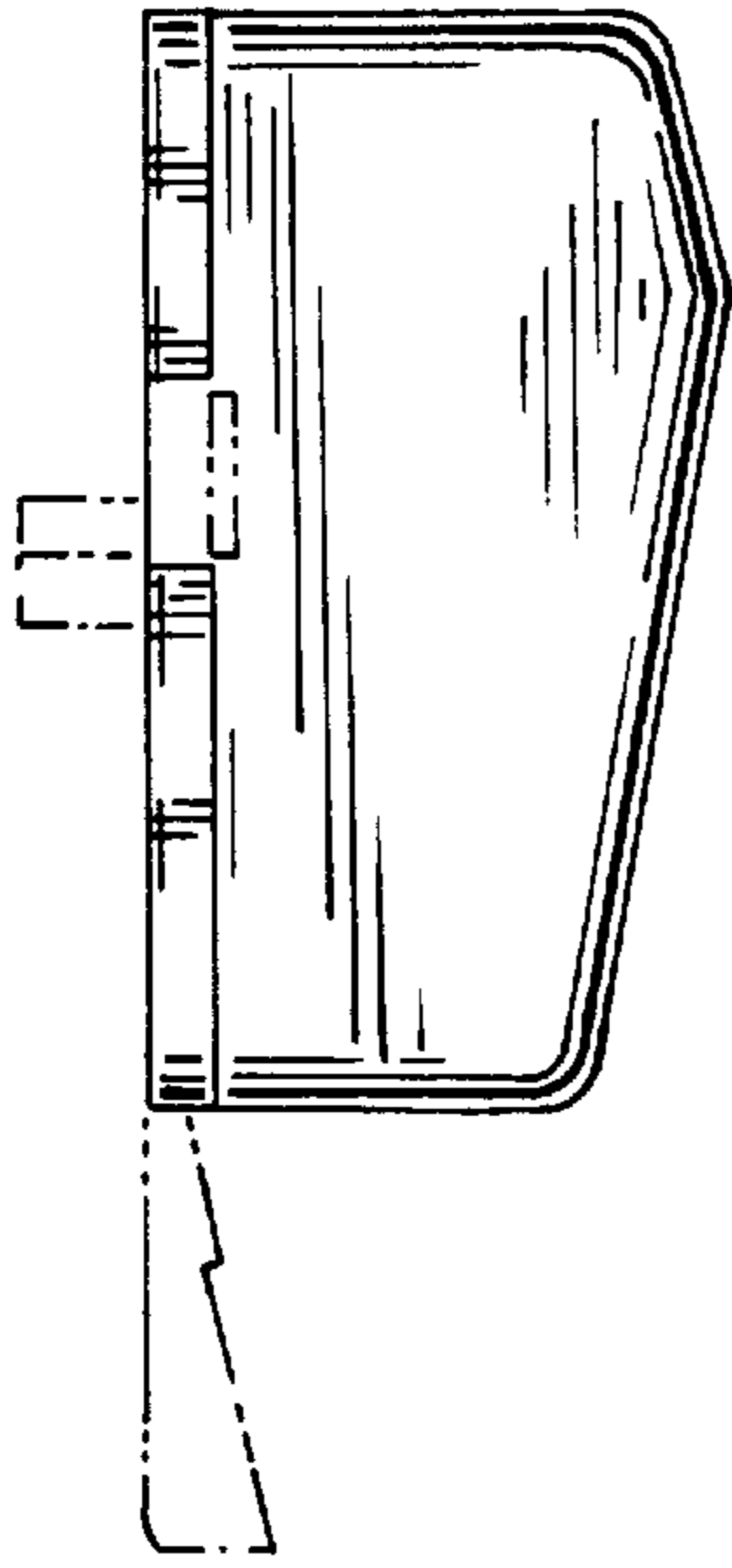


FIG. 4

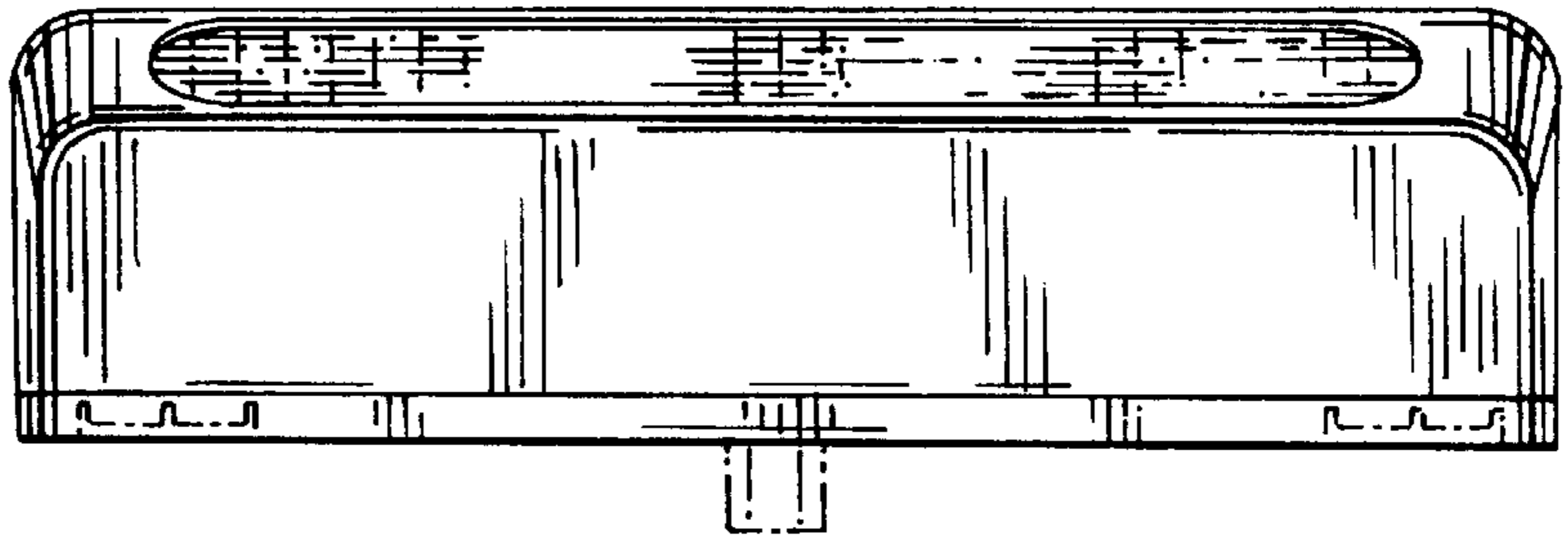


FIG. 5

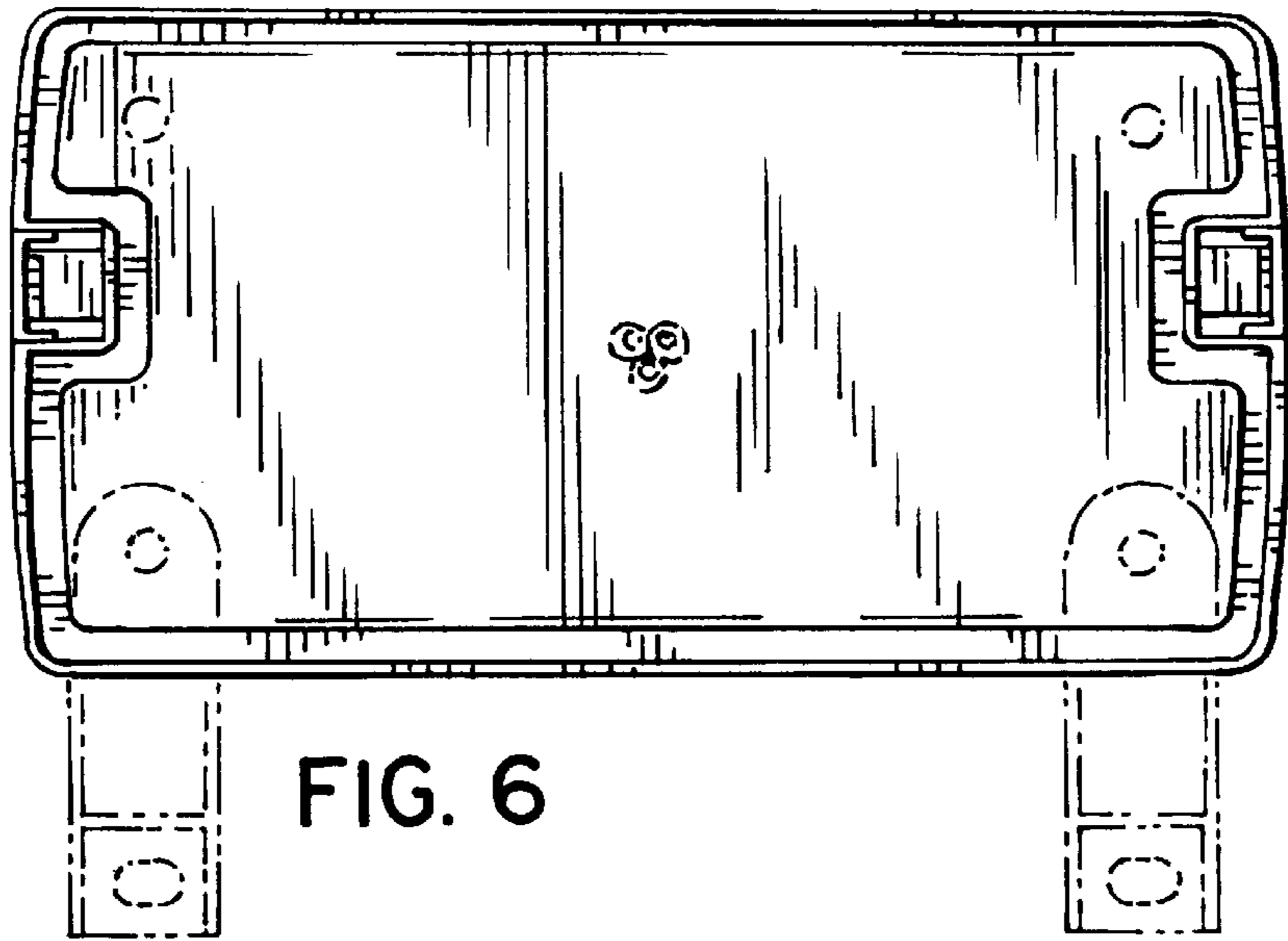


FIG. 6

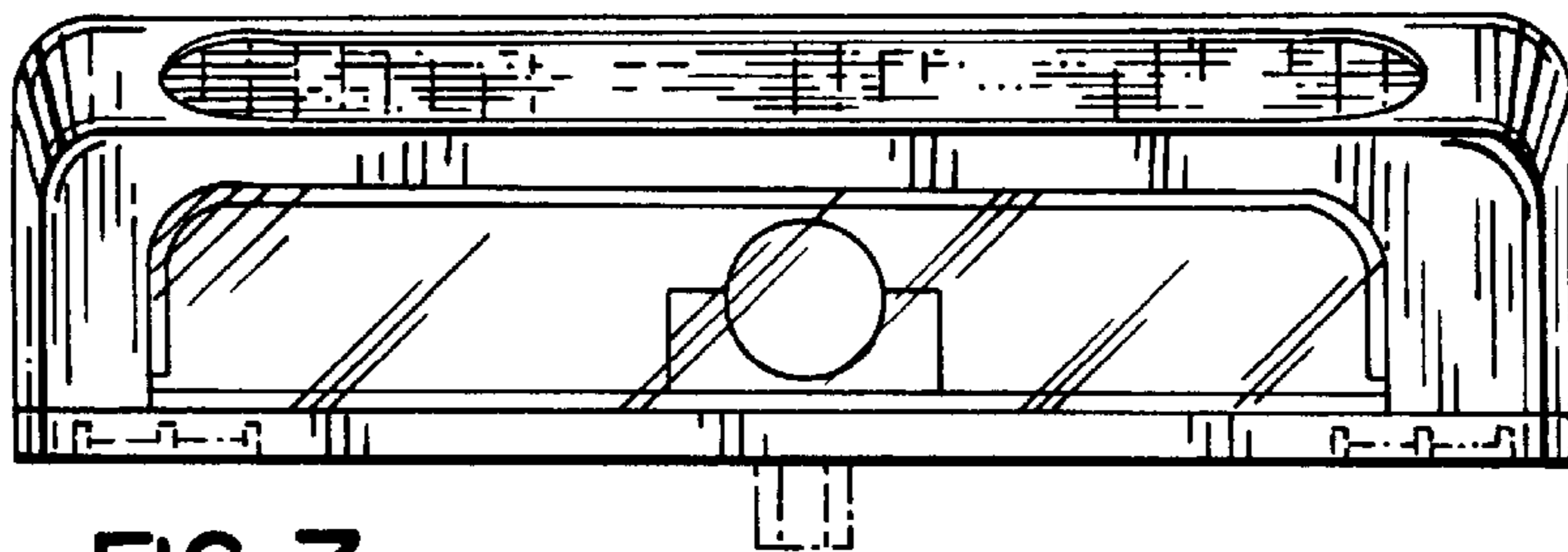


FIG. 7