



US00D417296S

United States Patent [19]

[11] Patent Number: Des. 417,296

Kato et al.

[45] Date of Patent: ** Nov. 30, 1999

[54] **SELF-BALLASTED COMPACT FLUORESCENT LAMPS**

[75] Inventors: **Masayoshi Kato; Takeshi Matsumura; Shiro Iida**, all of Osaka, Japan

[73] Assignee: **Matsushita Electronics Corporation**, Japan

[**] Term: **14 Years**

[21] Appl. No.: **29/098,282**

[22] Filed: **Dec. 24, 1998**

[51] **LOC (6) Cl.** **26-04**

[52] **U.S. Cl.** **D26/3**

[58] **Field of Search** D26/1, 2, 3, 4, D26/26; 313/313, 315, 318, 493; 315/53, 56, 57, 58

8-255592 10/1996 Japan .
 DM/003871 6/1984 Netherlands .
 DM/042173 7/1997 Netherlands .
 2 035326 11/1993 United Kingdom .
 2 062441 1/1997 United Kingdom .
 2 066733 6/1997 United Kingdom .
 96 318751 1/1998 WIPO .
 97 301218 2/1998 WIPO .
 97 301221 2/1998 WIPO .
 97 301222 2/1998 WIPO .
 97 301223 2/1998 WIPO .
 97 301224 2/1998 WIPO .
 97 301318 2/1998 WIPO .
 97 301533 2/1998 WIPO .
 97 301683 2/1998 WIPO .
 97 301724 2/1998 WIPO .
 97 301725 2/1998 WIPO .
 97 302023 2/1998 WIPO .

Primary Examiner—Marcus A. Jackson
Attorney, Agent, or Firm—Saidman DesignLaw Group

[56] **References Cited**

U.S. PATENT DOCUMENTS

D. 291,358 8/1987 Witte D26/3
 D. 302,471 7/1989 Cassidy et al. D26/3
 D. 304,377 10/1989 Fujita et al. D26/3
 D. 334,244 3/1993 Shaffer et al. D26/3
 D. 357,546 4/1995 Hermes D26/3
 D. 366,705 1/1996 Yang D26/3
 D. 379,673 6/1997 Sangen et al. D26/3

[57] **CLAIM**

The ornamental design for a self-ballasted compact fluorescent lamps, as shown and described.

FOREIGN PATENT DOCUMENTS

77685 6/1979 France .
 DM/011712 9/1988 Germany .
 DM/017294 8/1990 Germany .
 63-1924 8/1984 Japan .
 63-1926 8/1984 Japan .
 63-1926 6/1985 Japan .

DESCRIPTION

FIG. 1 is a perspective view of the top, front and right side of a self-ballasted compact fluorescent lamps showing our new design;
 FIG. 2 is a front view thereof;
 FIG. 3 is a right side thereof;
 FIG. 4 is a top plan view thereof;
 FIG. 5 is a bottom view thereof;
 FIG. 6 is a rear view thereof; and,
 FIG. 7 is a left side view thereof.

1 Claim, 2 Drawing Sheets

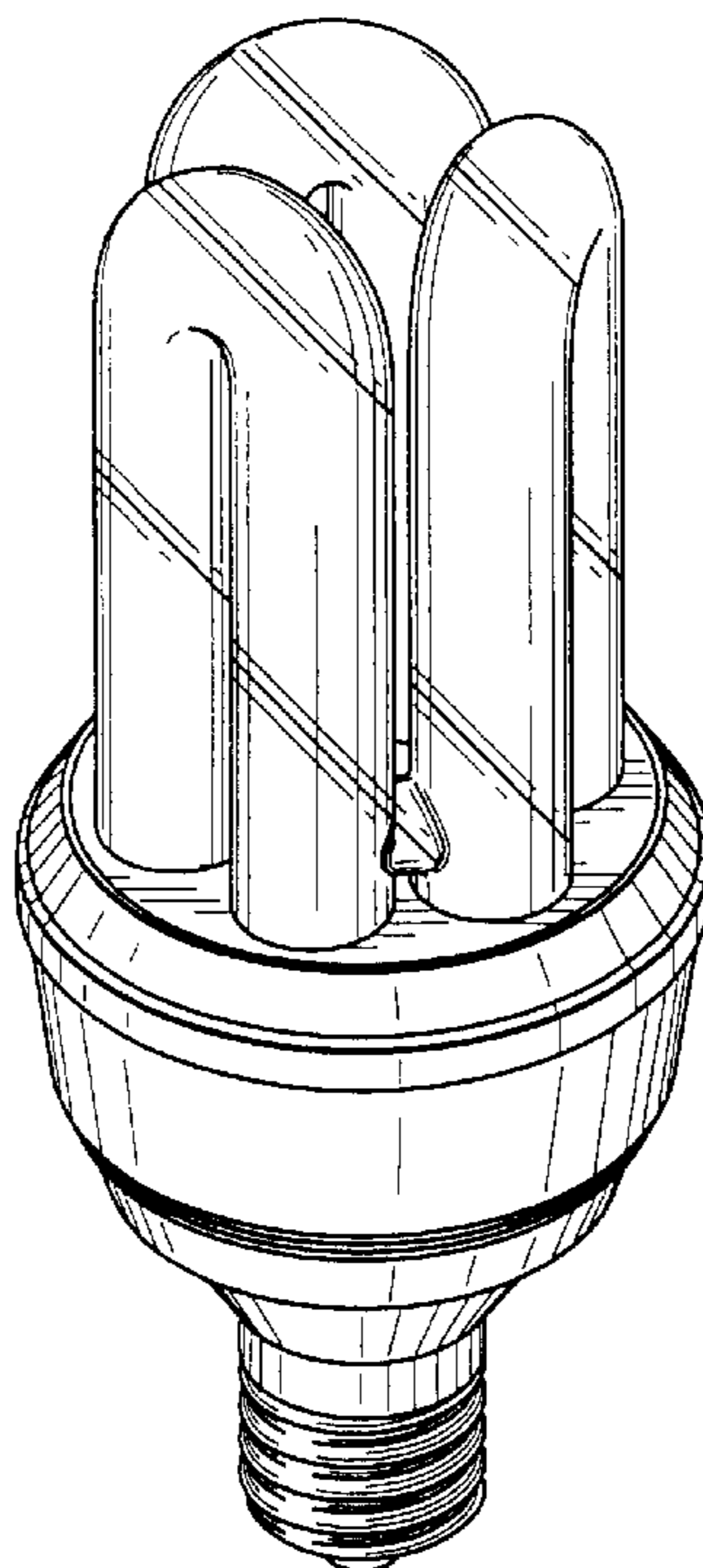


FIG. 1

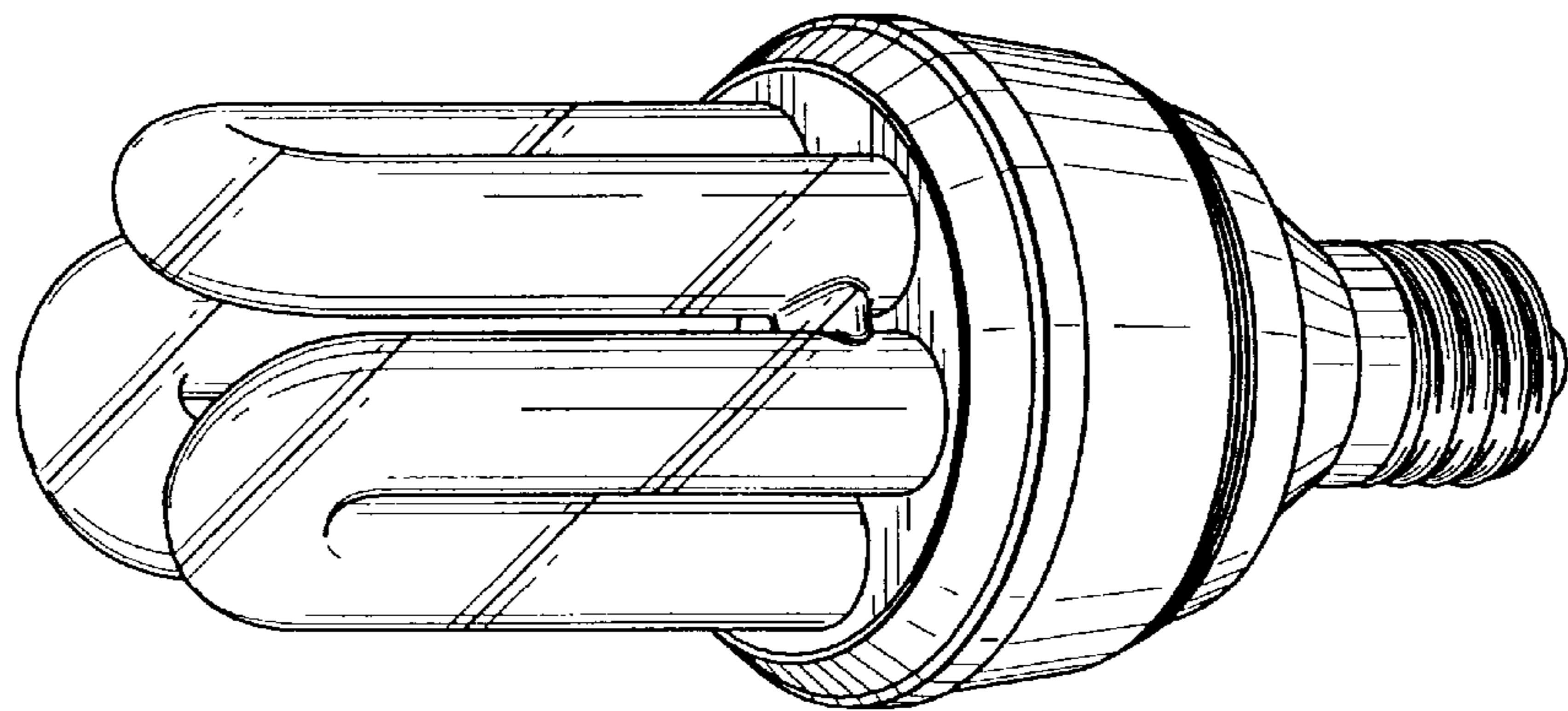


FIG. 2

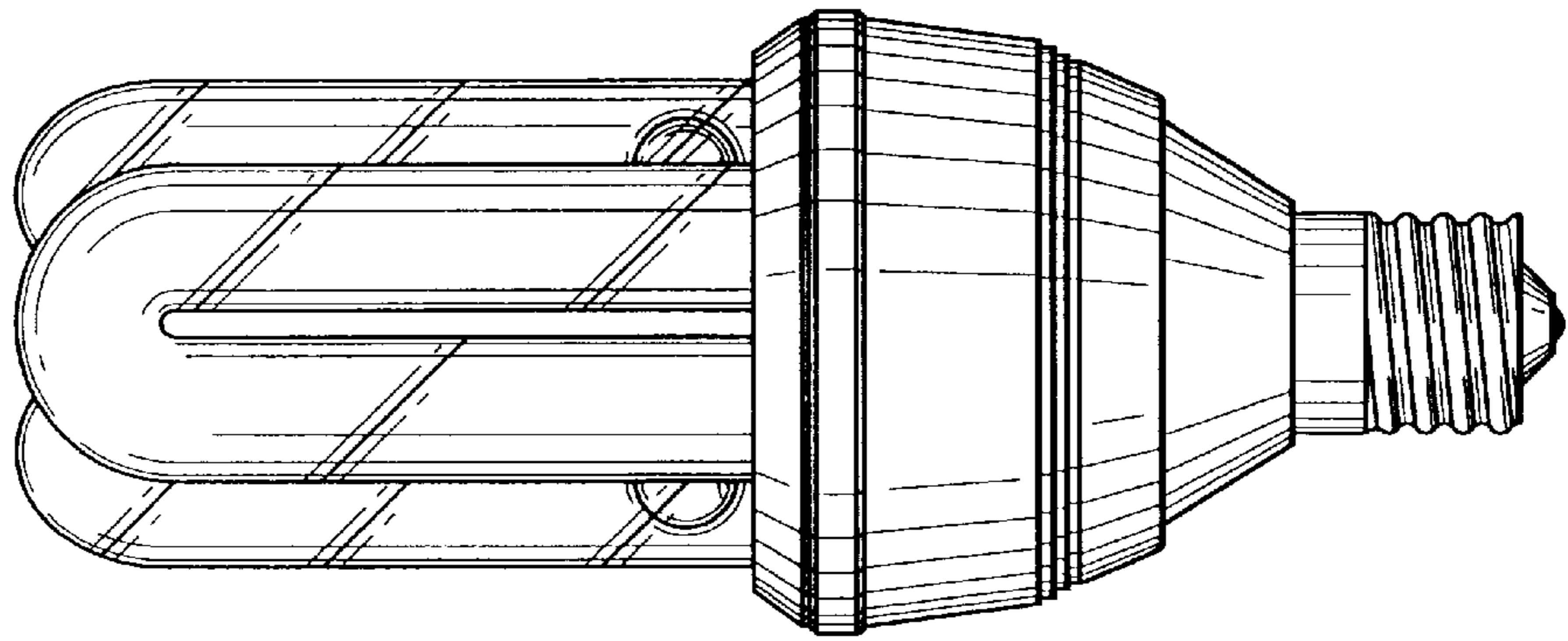


FIG. 3

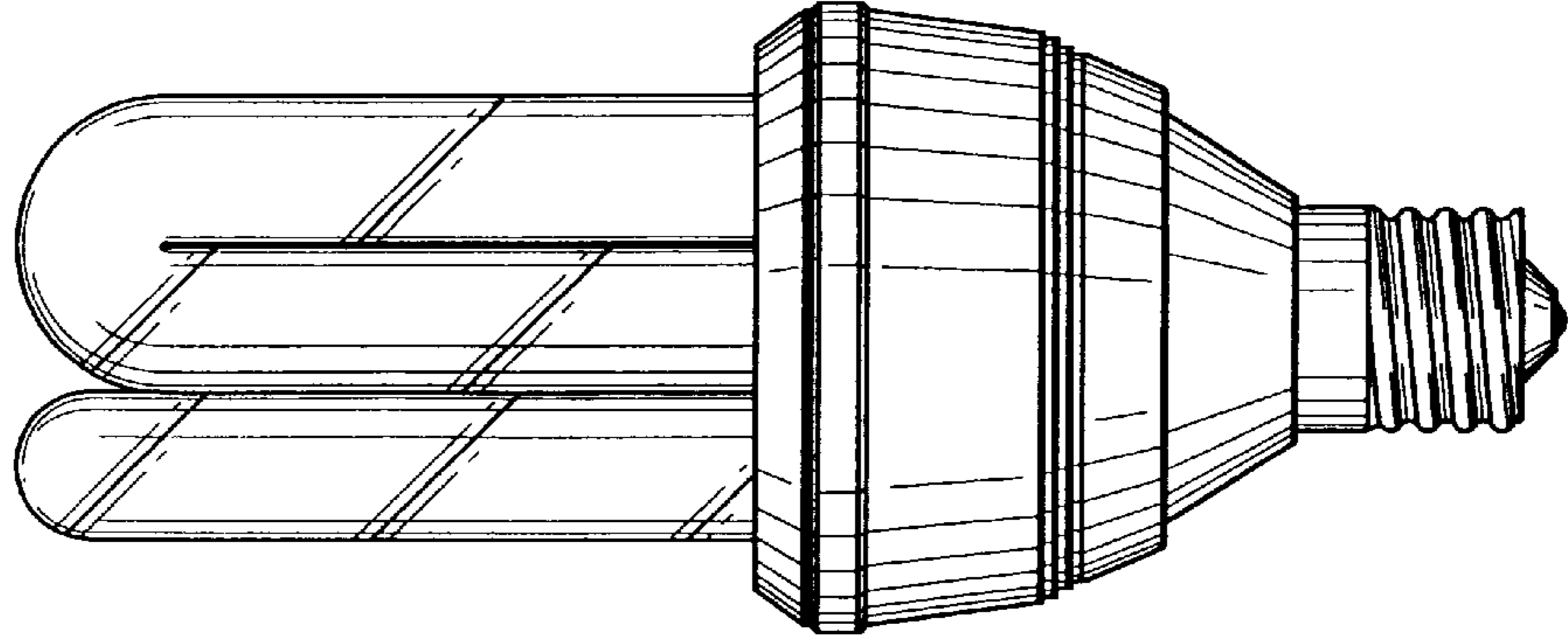


FIG. 4

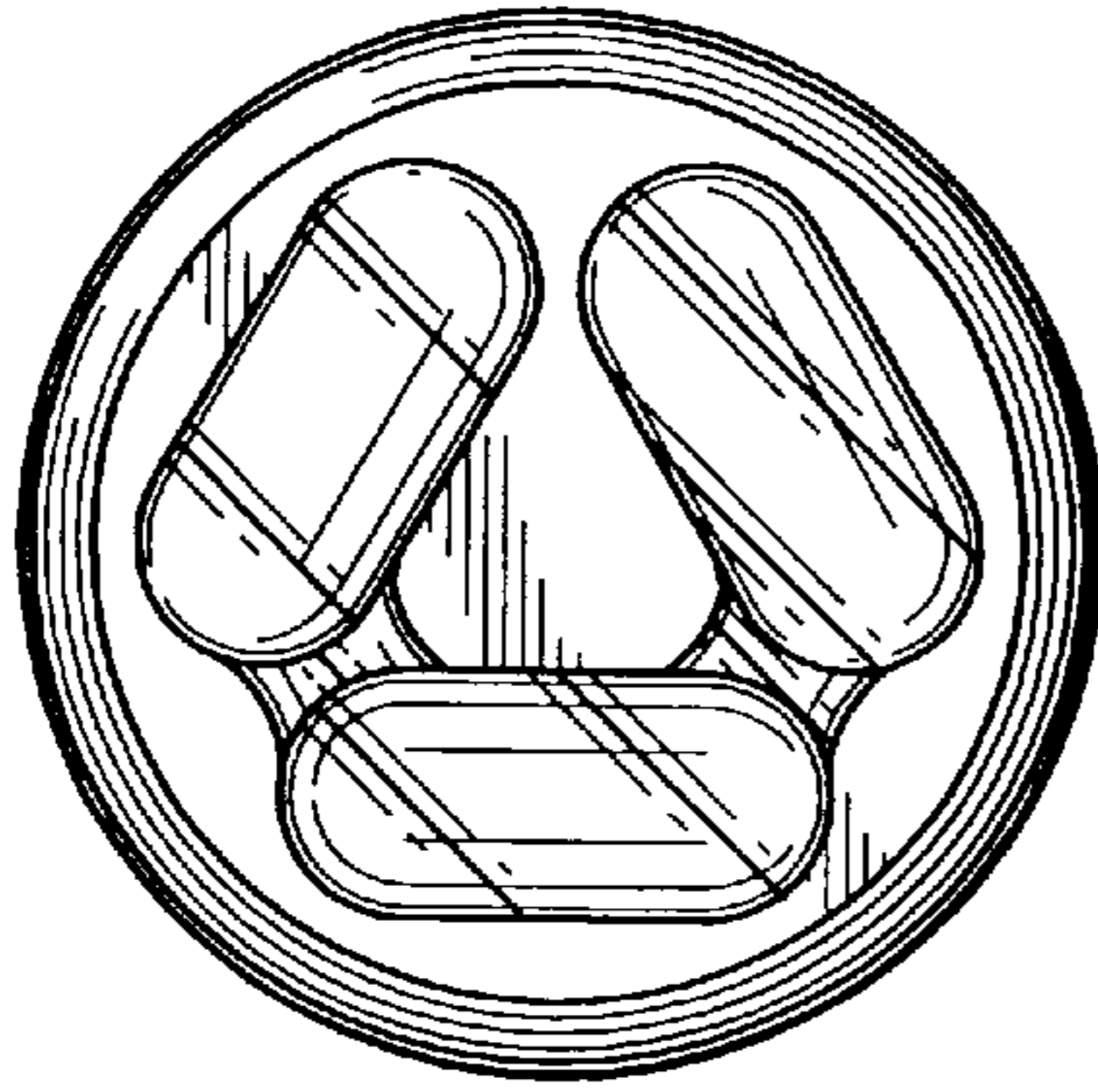


FIG. 5

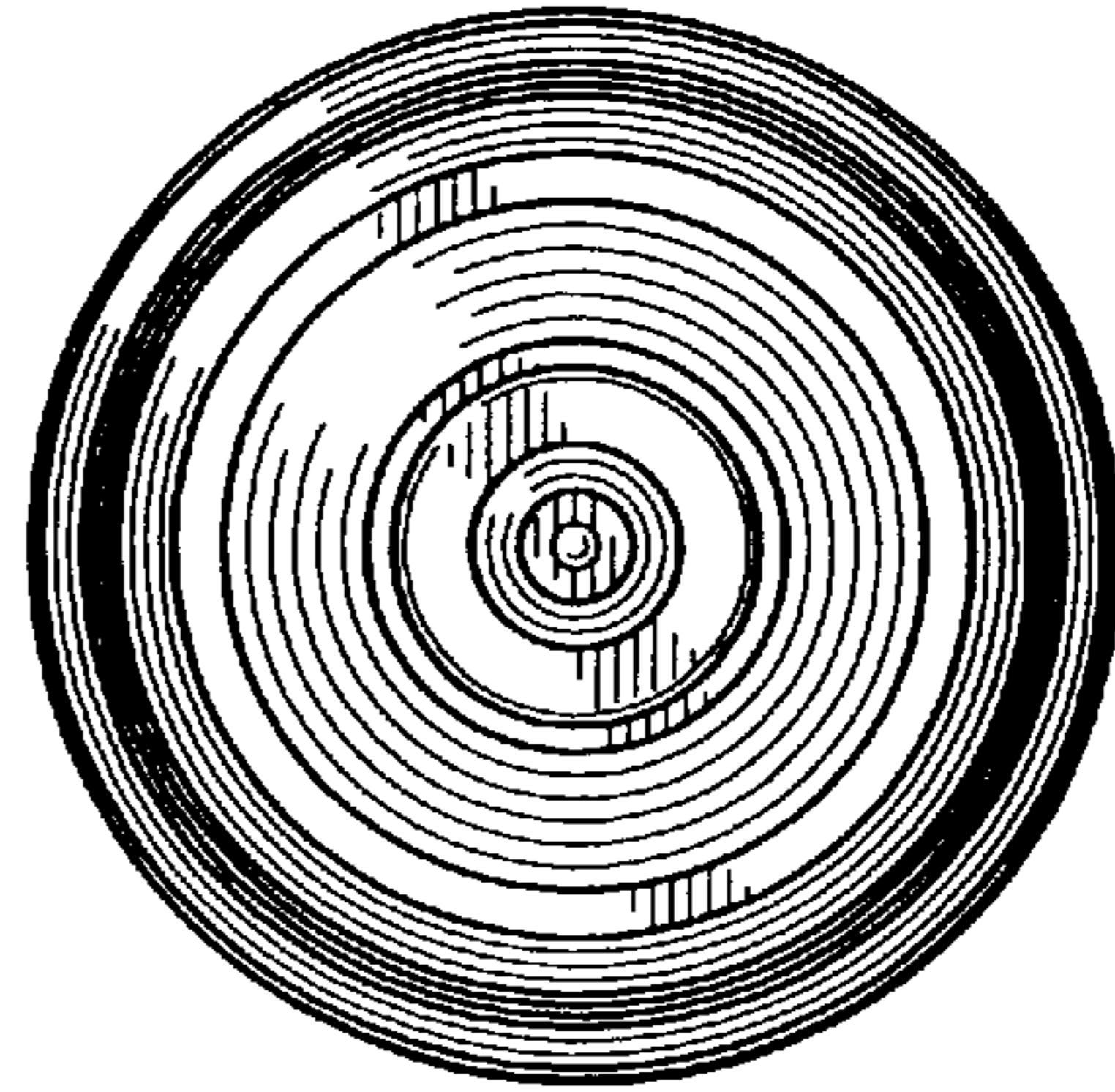


FIG. 6

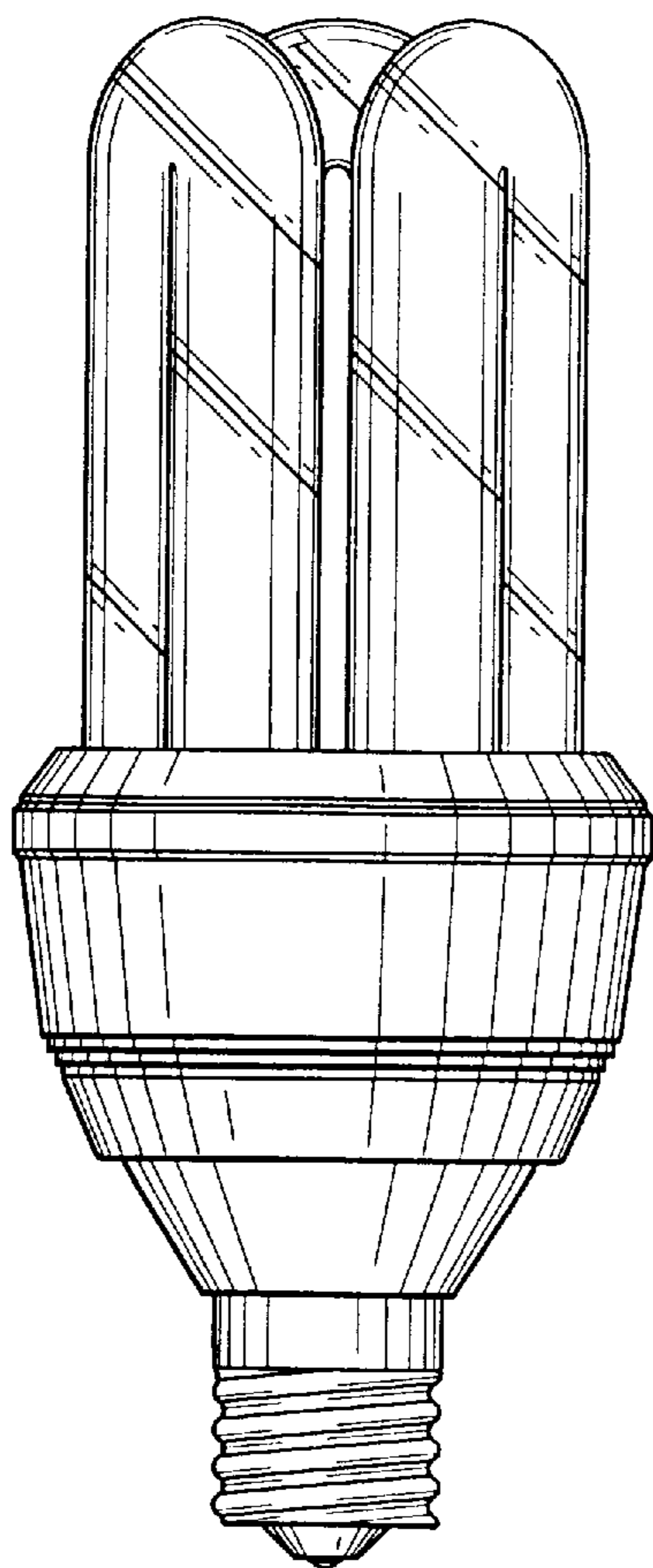


FIG. 7

