



US00D417293S

United States Patent [19]
Carter

[11] **Patent Number: Des. 417,293**

[45] **Date of Patent: ** Nov. 30, 1999**

[54] **LIGHT STANDARD**

[76] Inventor: **E. Ray Carter**, 4330 N. 28th St.,
Phoenix, Ariz. 85016

[**] Term: **14 Years**

[21] Appl. No.: **29/103,245**

[22] Filed: **Apr. 12, 1999**

[51] **LOC (6) Cl.** **25-01**

[52] **U.S. Cl.** **D25/133**

[58] **Field of Search** 362/362, 382,
362/431; D25/126, 131, 132, 133; 248/530

[56] **References Cited**

U.S. PATENT DOCUMENTS

D. 225,769	1/1973	Harris, Jr.	D25/133
4,200,906	4/1980	Santilli	362/382
5,626,418	5/1997	Angelis, Sr. et al.	362/431

Primary Examiner—Doris Clark
Attorney, Agent, or Firm—H. Gordon Shields

[57] **CLAIM**

The ornamental design for light standard, as shown and described.

DESCRIPTION

FIG. 1 is an upper right perspective view of a light standard

illustrating my new ornamental design.

FIG. 2 is a top view thereof.

FIG. 3 is a right side elevational view thereof.

FIG. 4 is a front elevational view thereof.

FIG. 5 is a rear elevational view thereof.

FIG. 6 is a left side elevational view thereof.

FIG. 7 is a bottom view thereof.

FIG. 8 is a top view of a second embodiment thereof.

FIG. 9 is a top view of a third embodiment thereof.

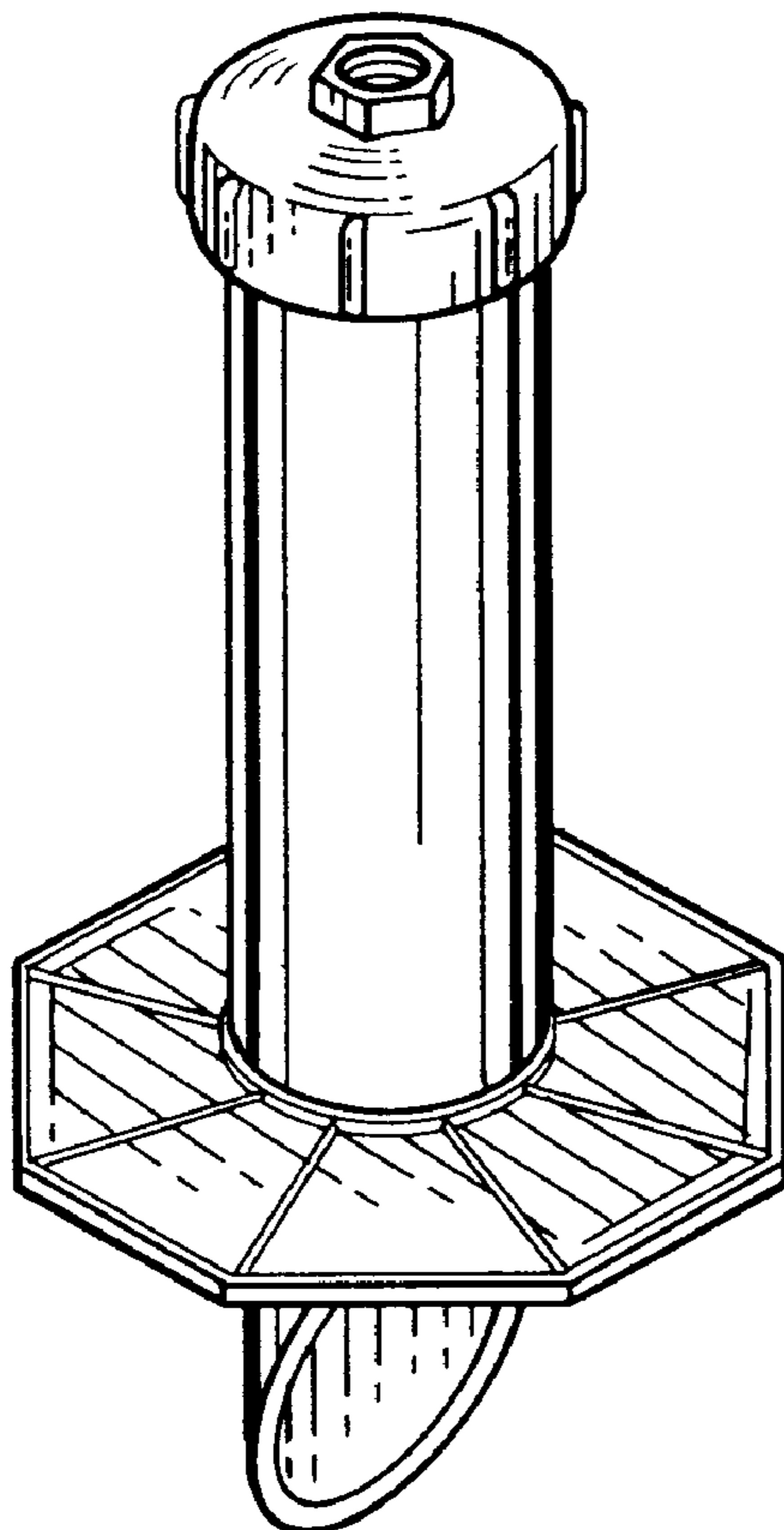
FIG. 10 is a top view of a fourth embodiment thereof.

FIG. 11 is a top view of a fifth embodiment thereof; and,

FIG. 12 is a top view of a sixth embodiment thereof.

The right side, left side, front, rear, and bottom of the light standard in FIGS. 8 through 12, are substantially identical to the right and left sides, the front, rear, and bottom of the light standard in the first embodiment.

1 Claim, 2 Drawing Sheets



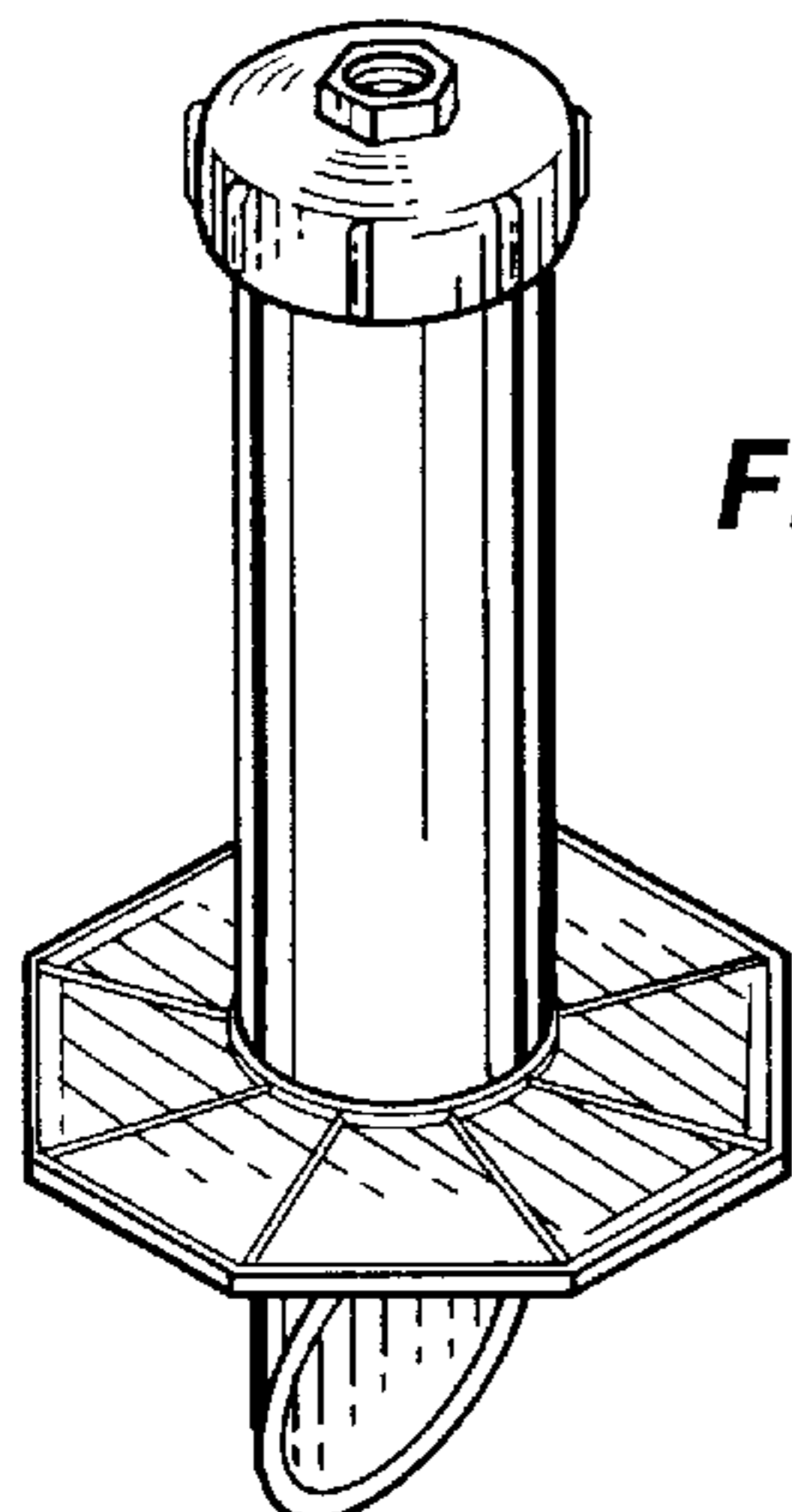


FIG. 1.

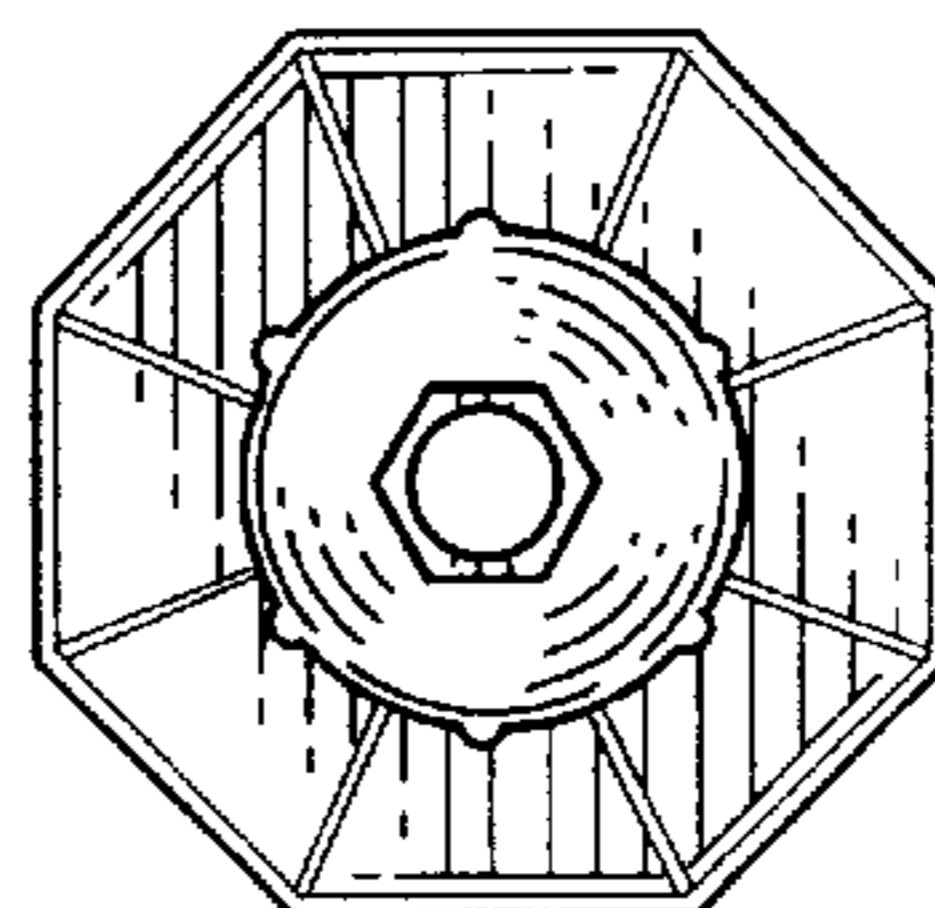


FIG. 2.

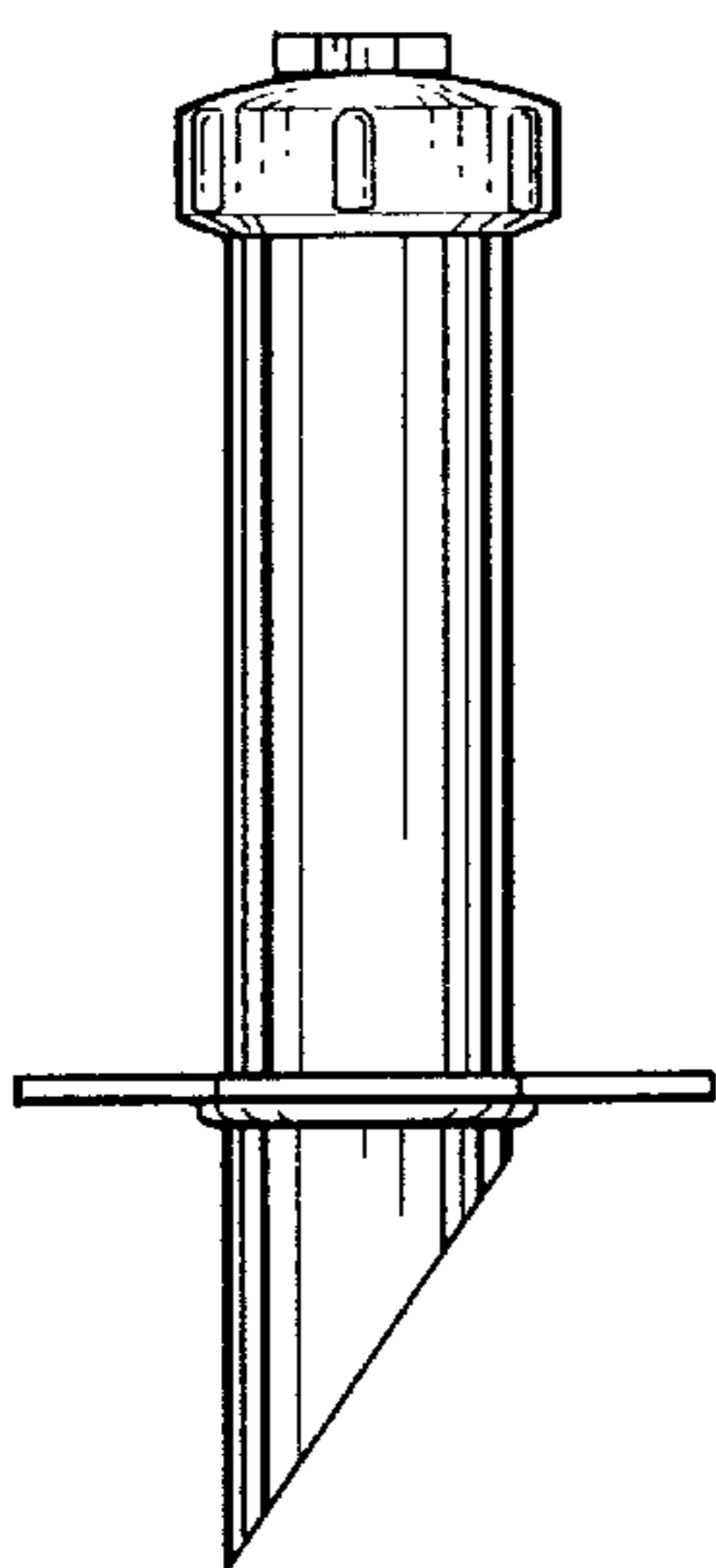


FIG. 3.

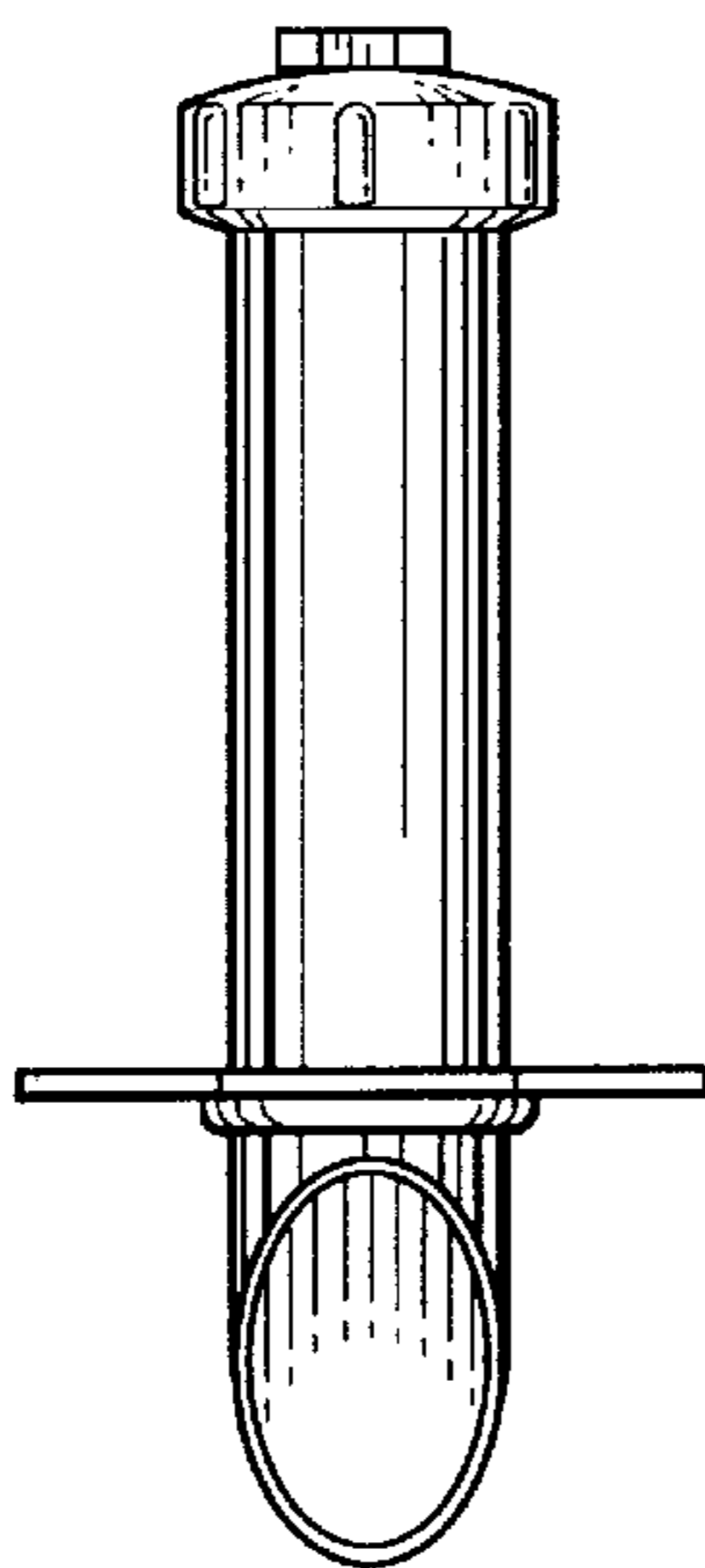


FIG. 4.

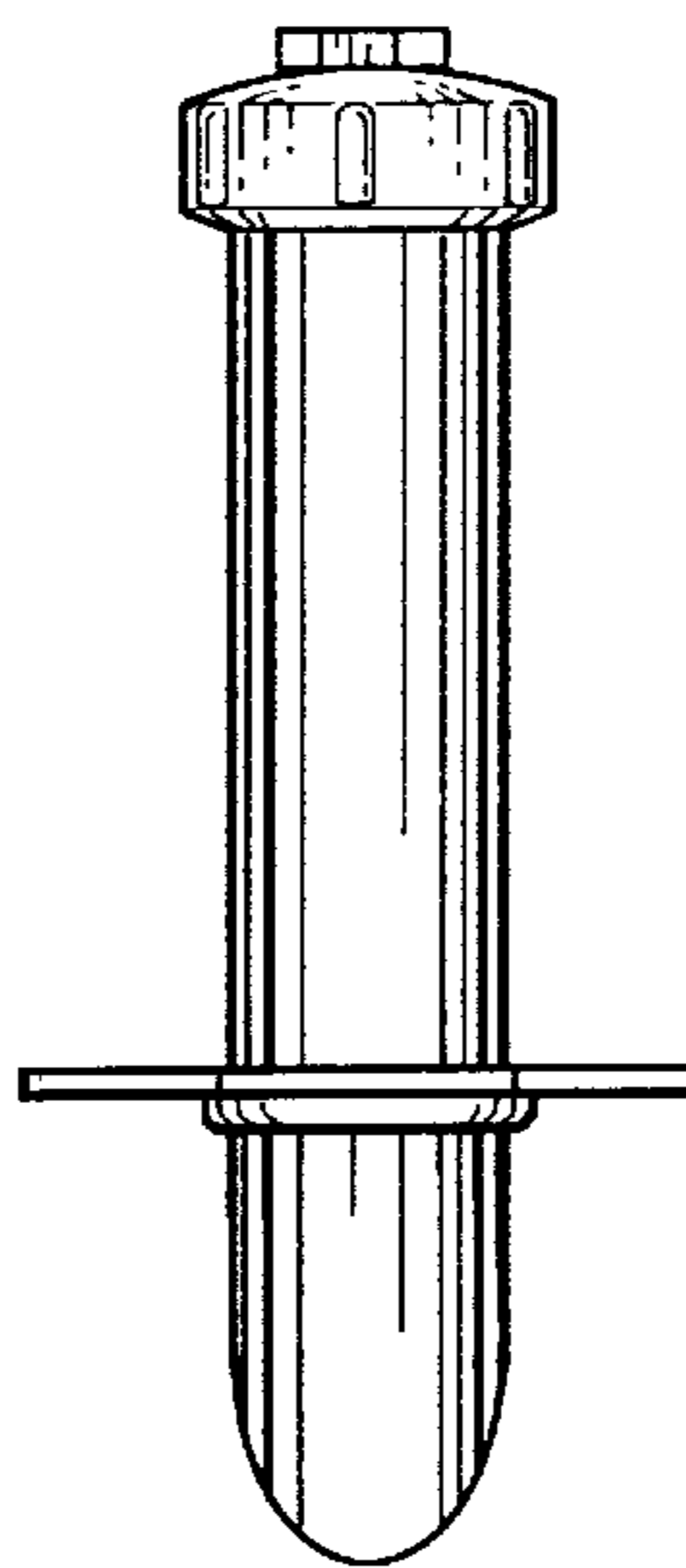


FIG. 5.

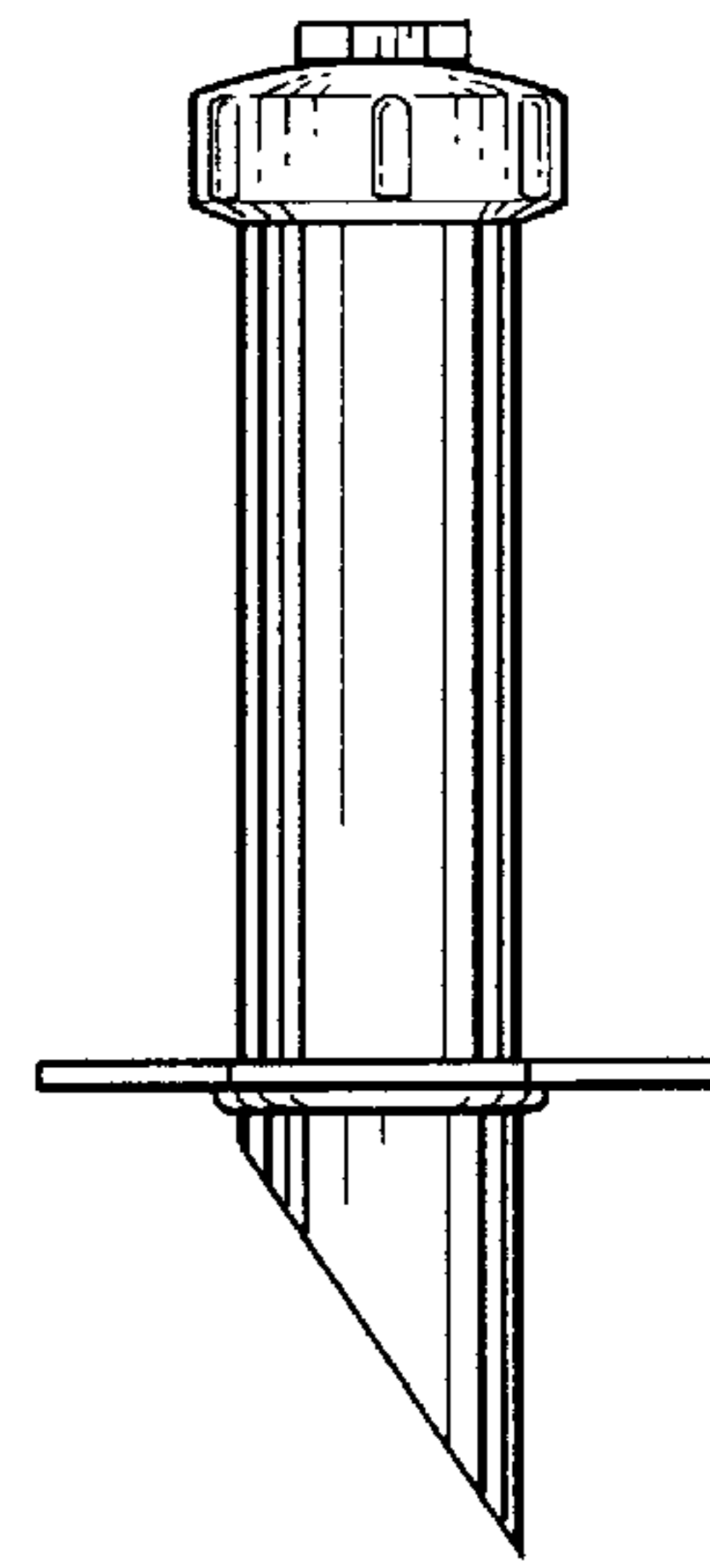


FIG. 6.

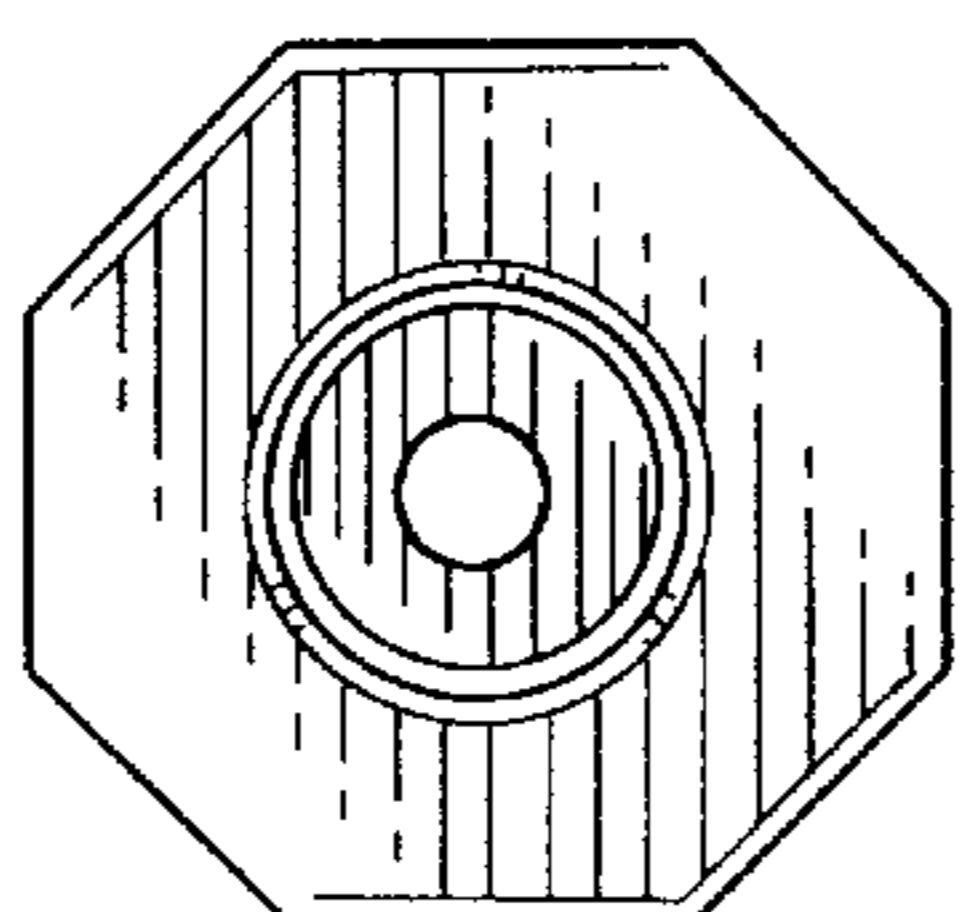


FIG. 7.

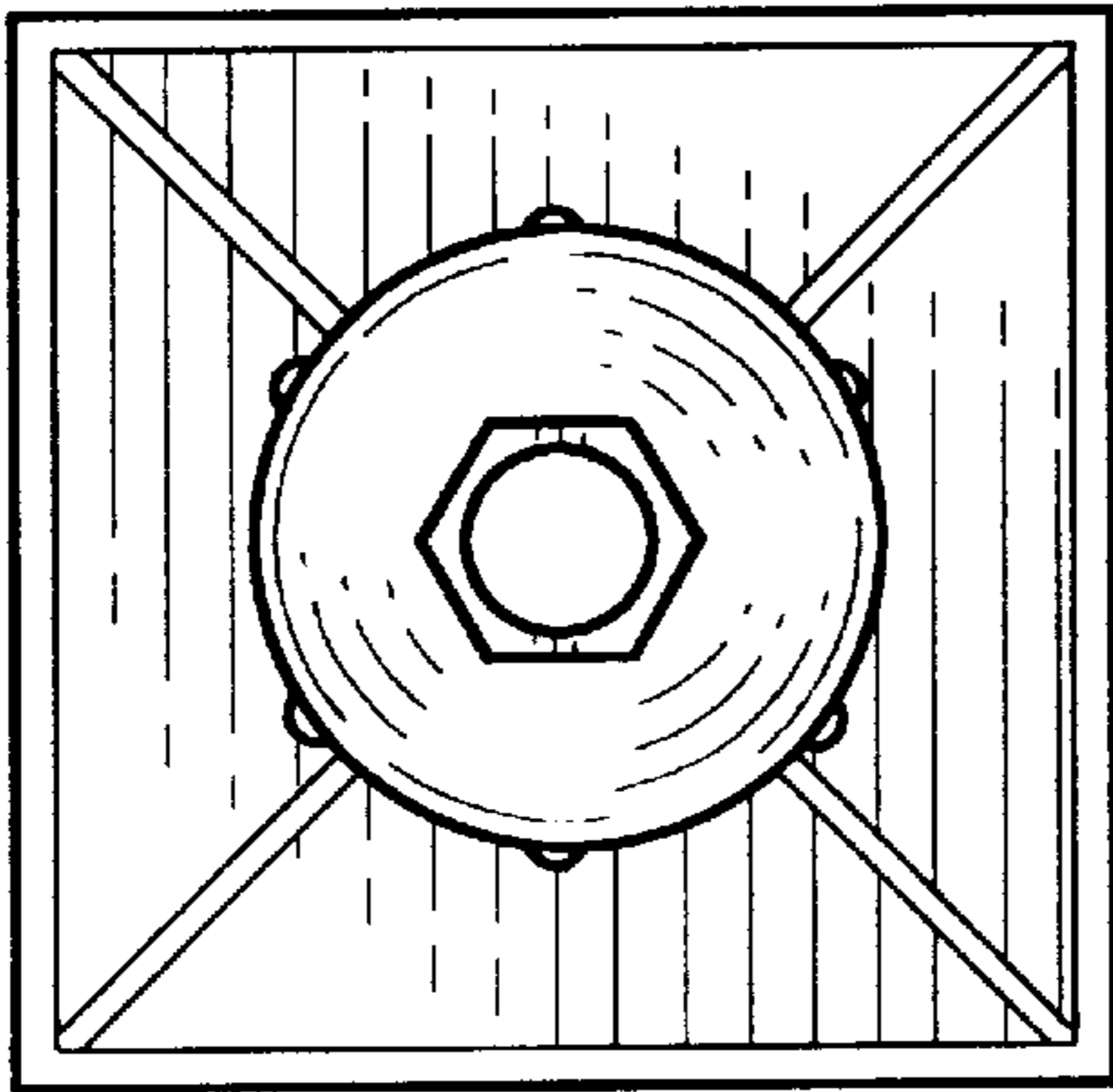


FIG. 8.

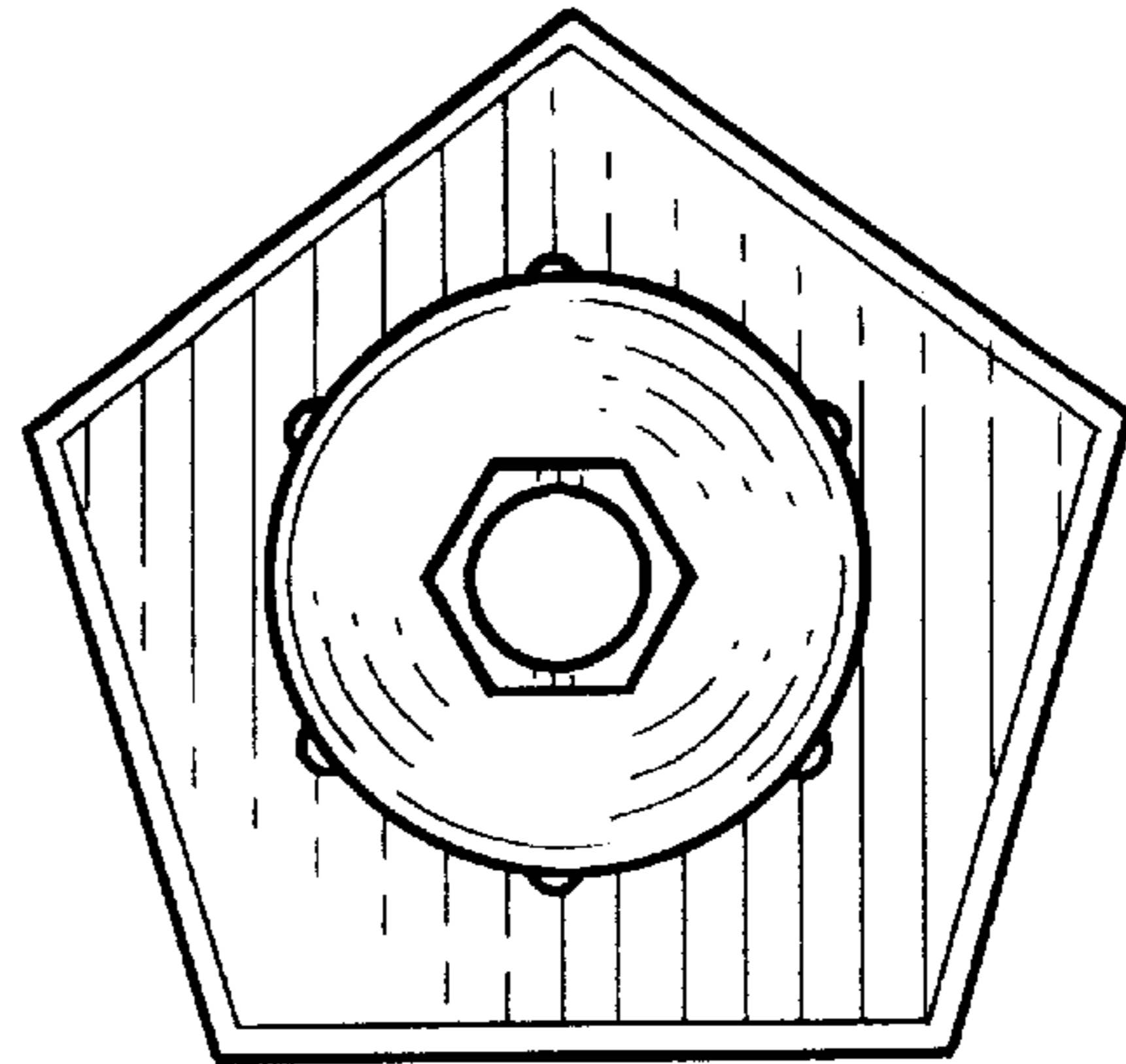


FIG. 9.

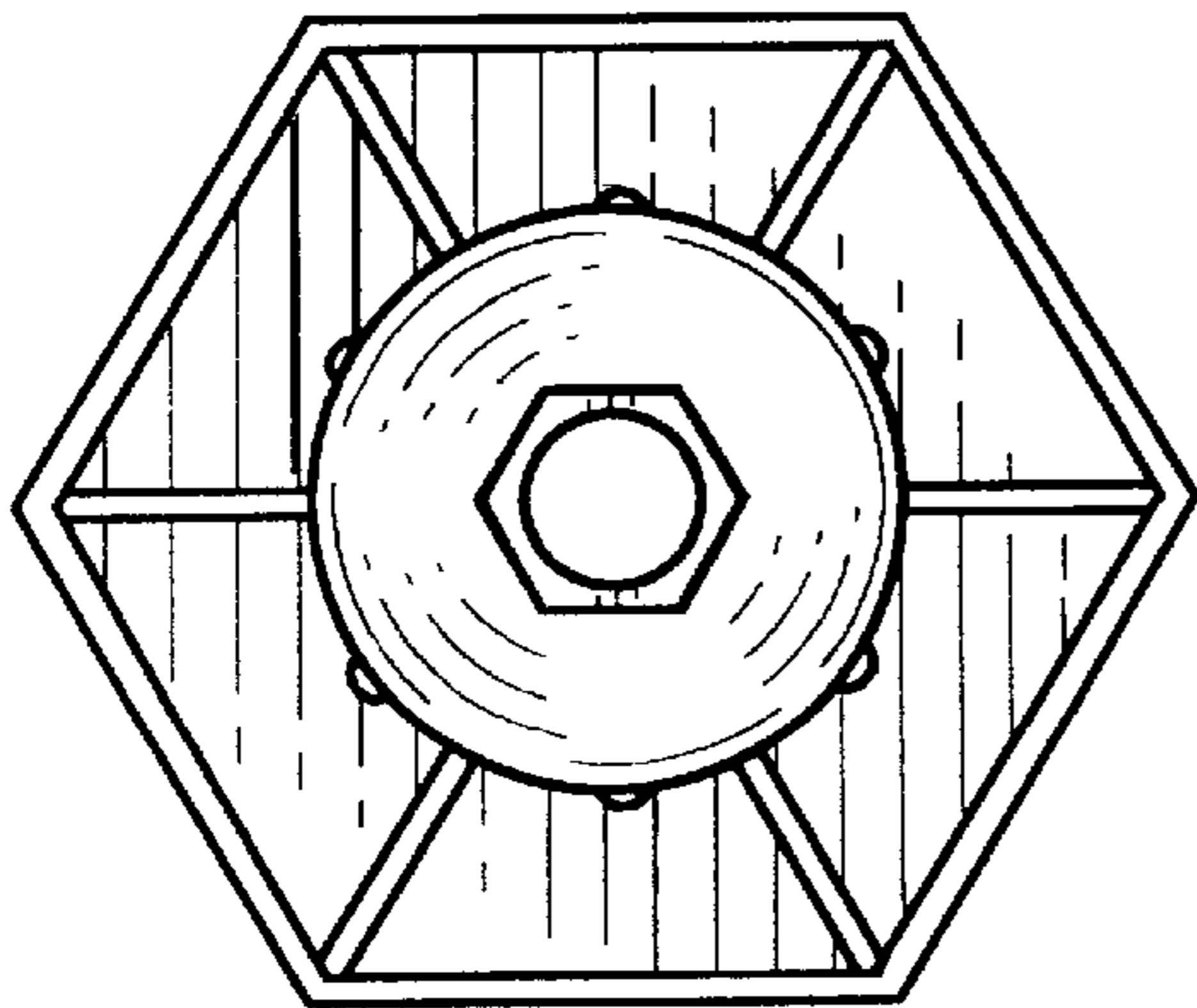


FIG. 10.

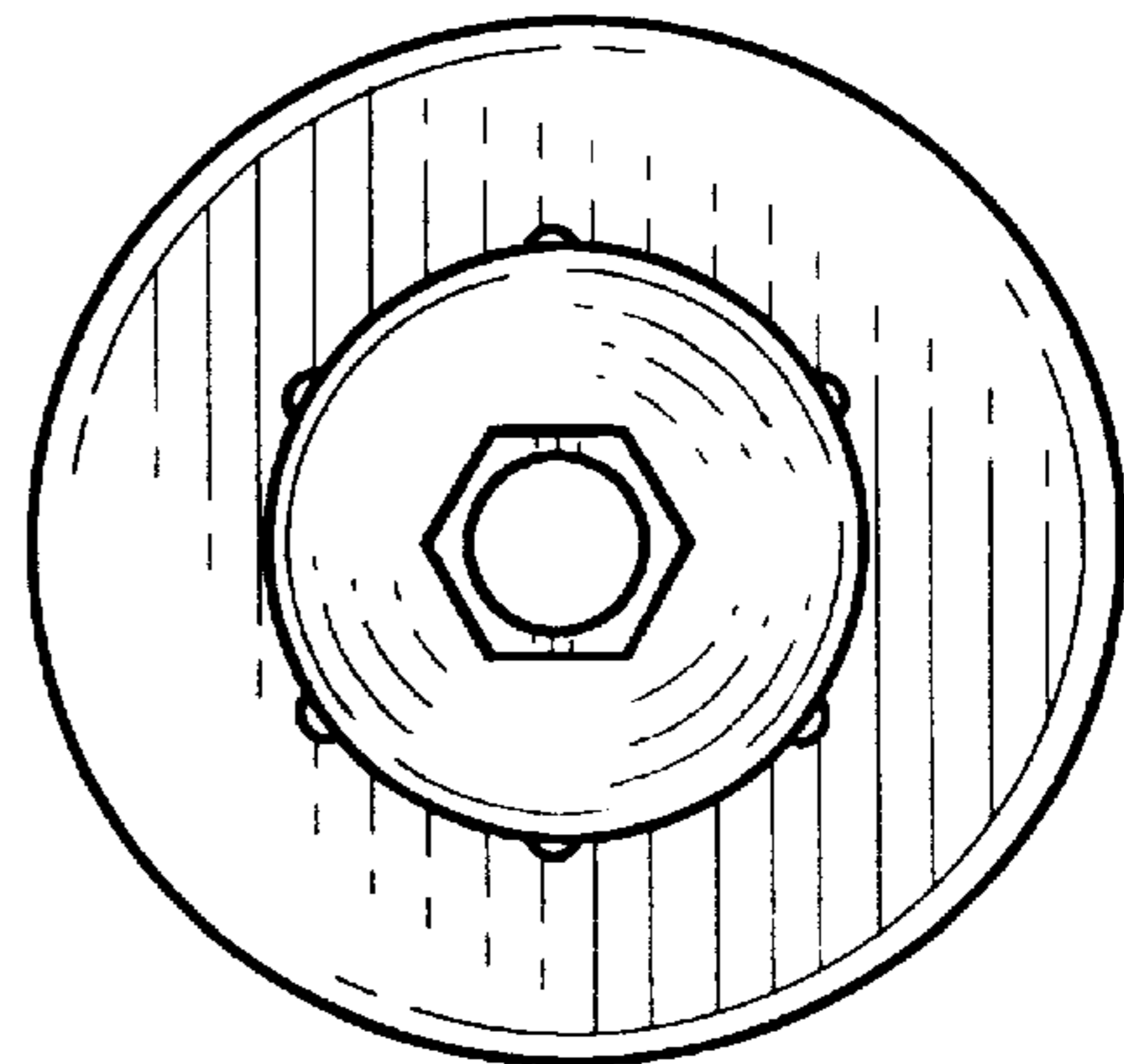


FIG. 11.

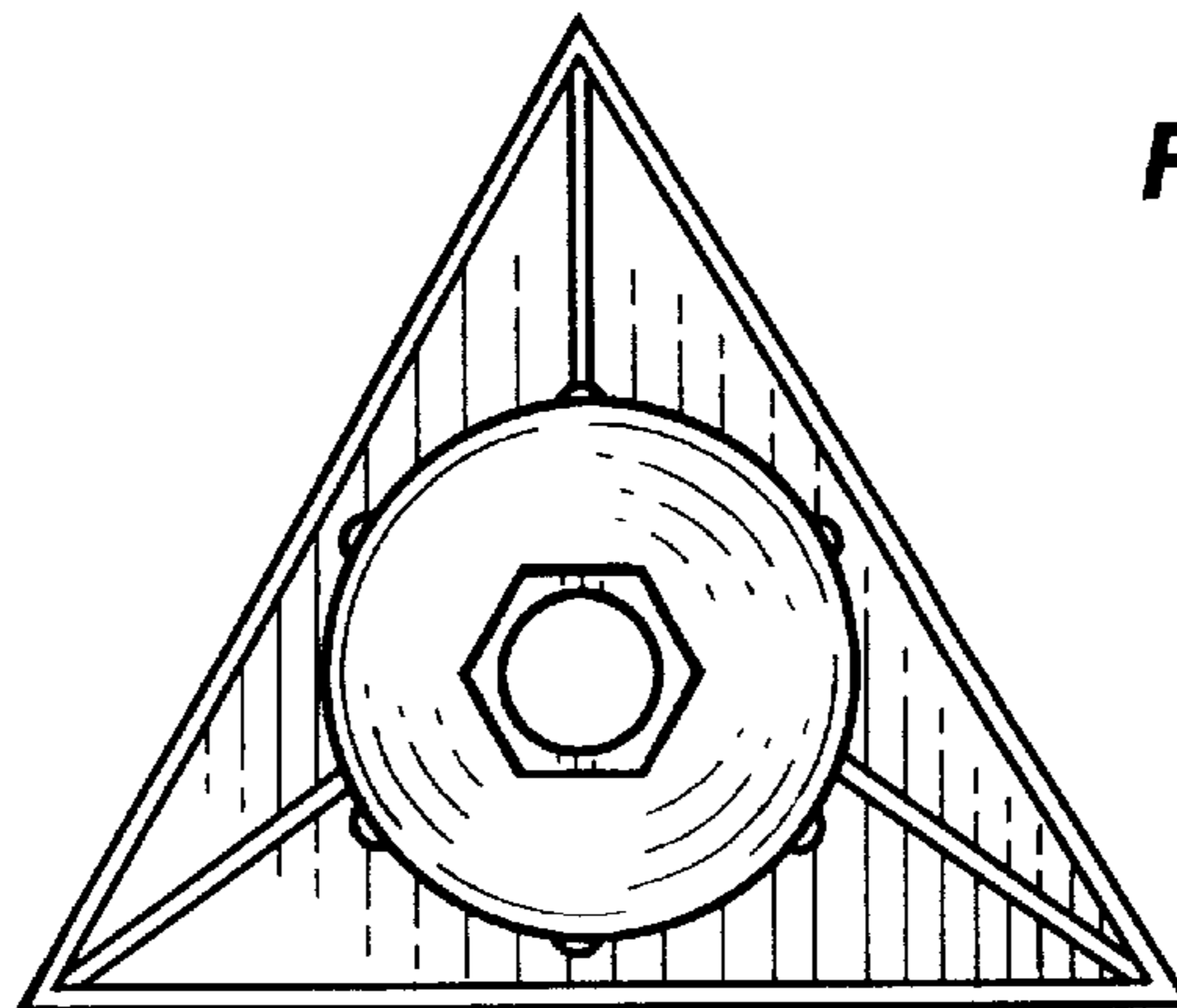


FIG. 12.