



US00D417290S

United States Patent [19]

Goleby et al.

[11] **Patent Number: Des. 417,290**

[45] **Date of Patent: ** Nov. 30, 1999**

[54] **EXTENDED WELDED METAL SECTION FOR AN I-BEAM STRUCTURE**

2,997,141 8/1961 Wetzler 52/730.1
3,342,007 9/1967 Merson D25/122
5,535,569 7/1996 Seccombe et al. 52/729.1

[75] Inventors: **Leslie David Goleby; Russell Lambert Watkins**, both of Acacia Ridge, Australia

FOREIGN PATENT DOCUMENTS

130648 10/1996 Austria .
130649 10/1996 Austria .

[73] Assignee: **Tube Technology Pty, Ltd.**, Queensland, Australia

Primary Examiner—Doris Clark
Attorney, Agent, or Firm—Merchant & Gould, P.C.

[**] Term: **14 Years**

[57] CLAIM

[21] Appl. No.: **29/090,429**

The ornamental design for extended welded metal section for an I-beam structure, as shown and described.

[22] Filed: **Jul. 8, 1998**

DESCRIPTION

[51] **LOC (6) Cl.** **25-01**

[52] **U.S. Cl.** **D25/122**

[58] **Field of Search** D25/119, 122, D25/61; 52/716.1, 716.8, 633, 635, 638, 645, 646, 648.1, 649.3, 650.1, 650.2, 656.2, 730.1, 729.1, 729.2

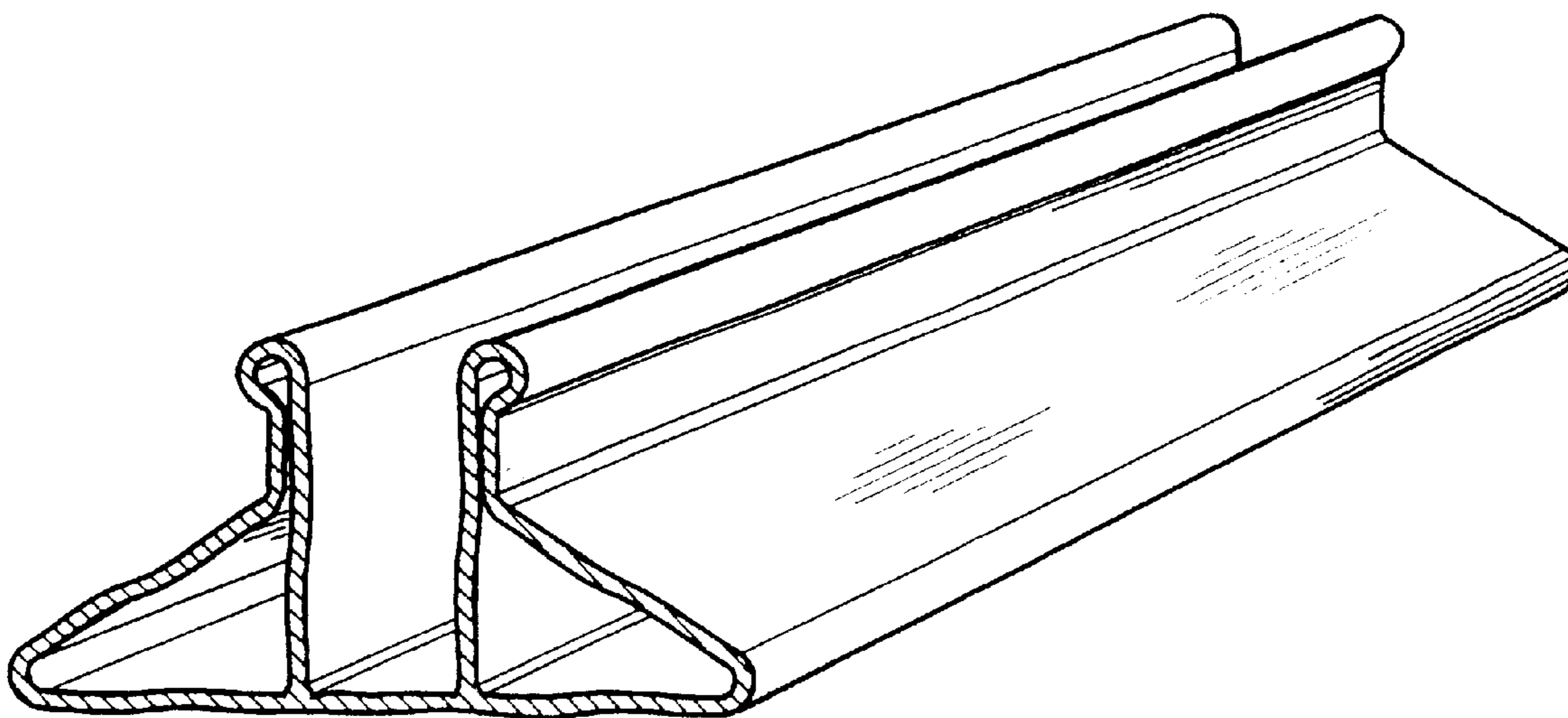
FIG. 1 is an end view of the extended welded metal section for an I-beam structure;
FIG. 2 is a view of the other end to that of FIG. 1;
FIG. 3 is a bottom view of the extended welded metal section for an I-beam structure;
FIG. 4 is a top plan view from above;
FIG. 5 is a right side elevational view thereof;
FIG. 6 is a left side elevational view thereof; and,
FIG. 7 is a perspective view of the section shown in FIG. 6.

[56] References Cited

U.S. PATENT DOCUMENTS

D. 292,025 9/1987 Lundstrom D25/122
D. 343,747 2/1994 Burdick et al. D25/122

1 Claim, 1 Drawing Sheet



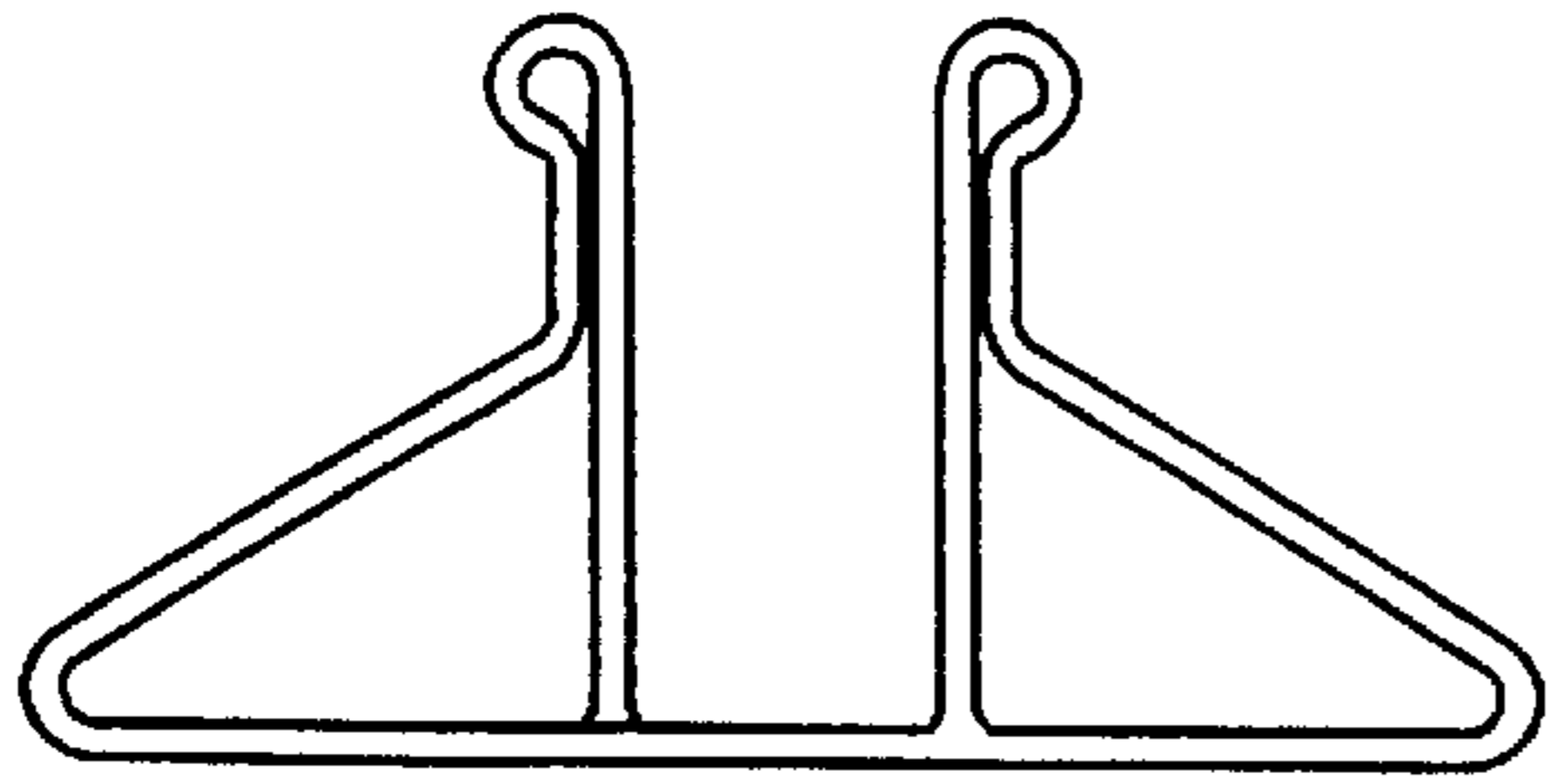


Fig. 1

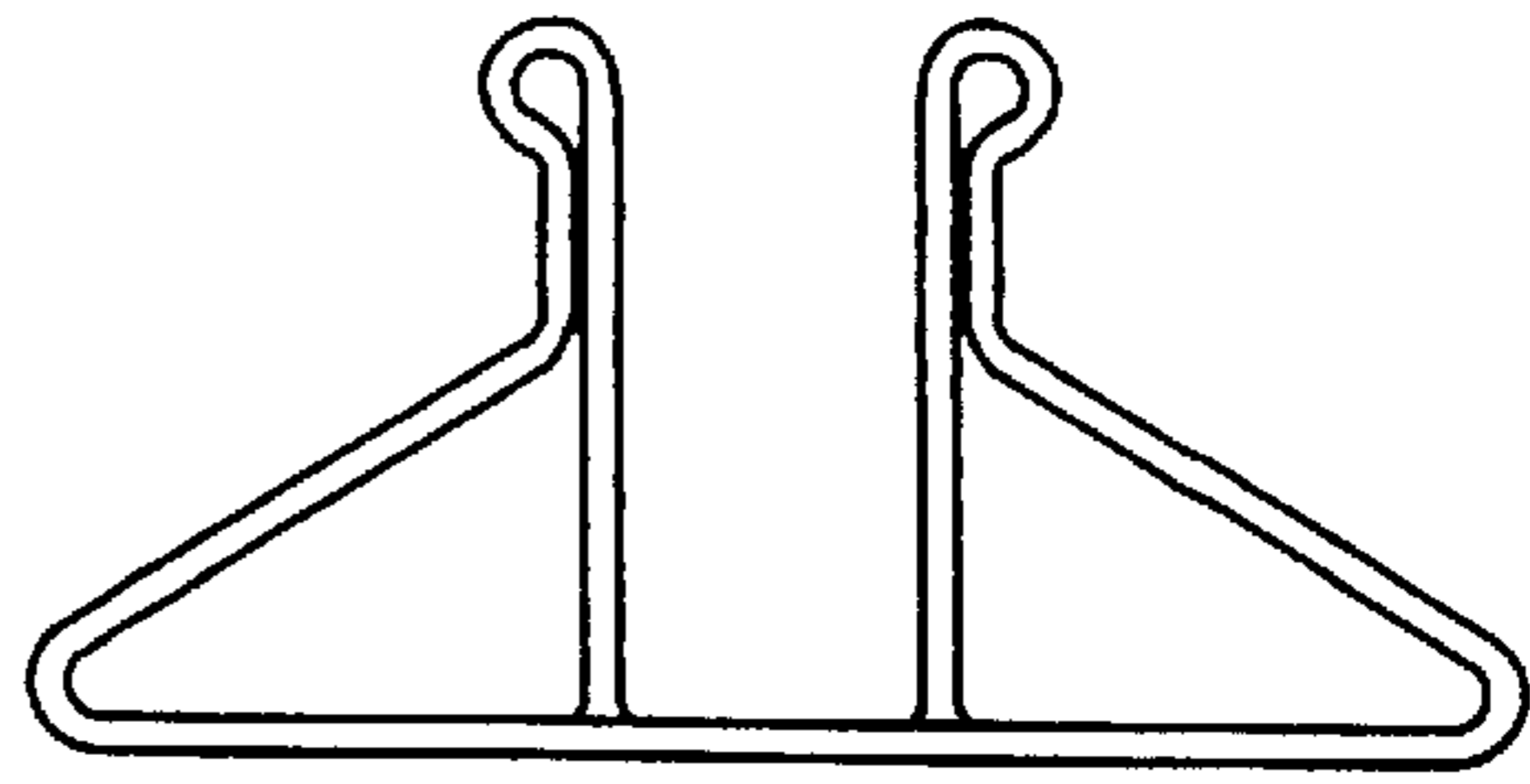


Fig. 2

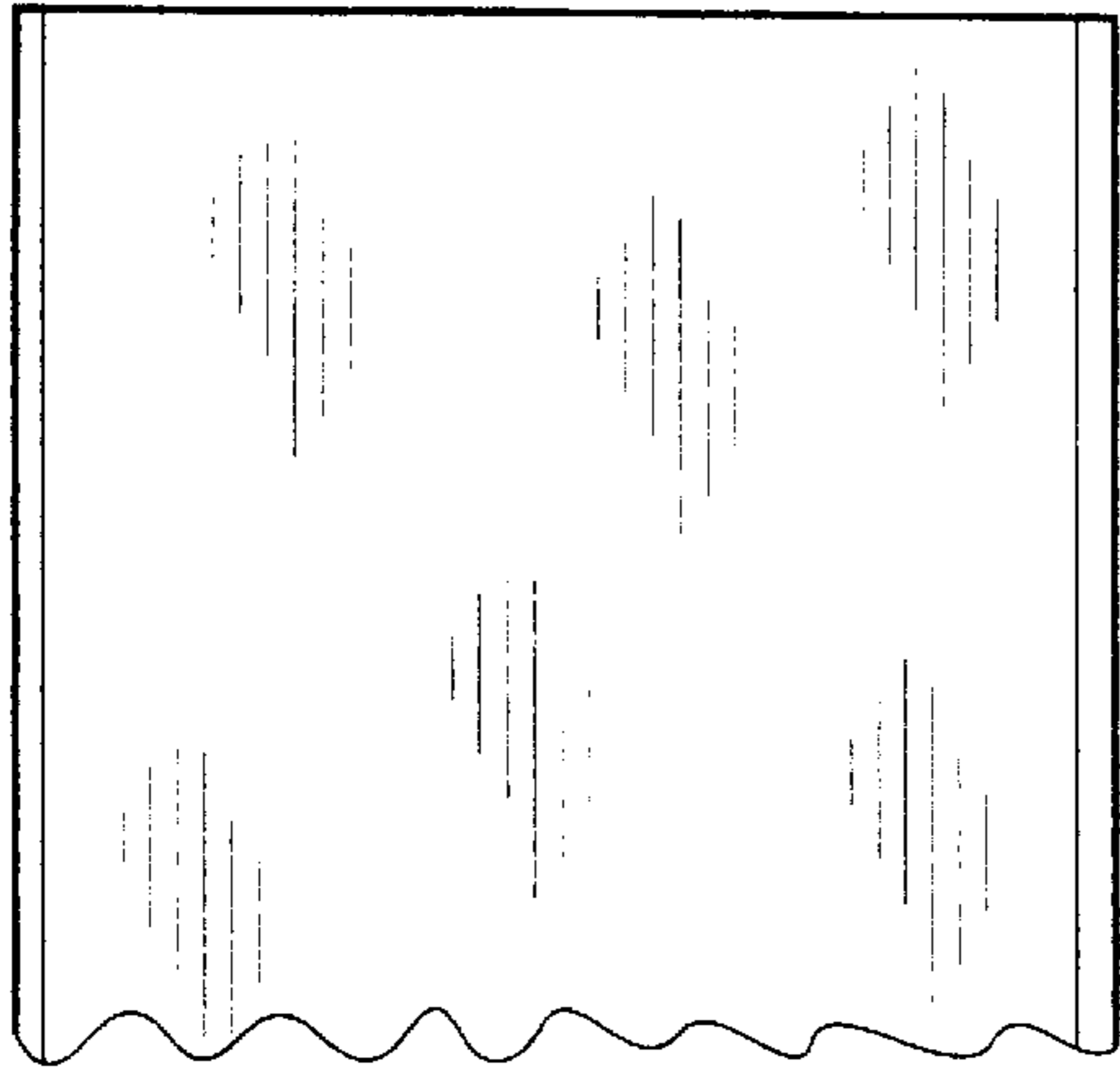


Fig. 3

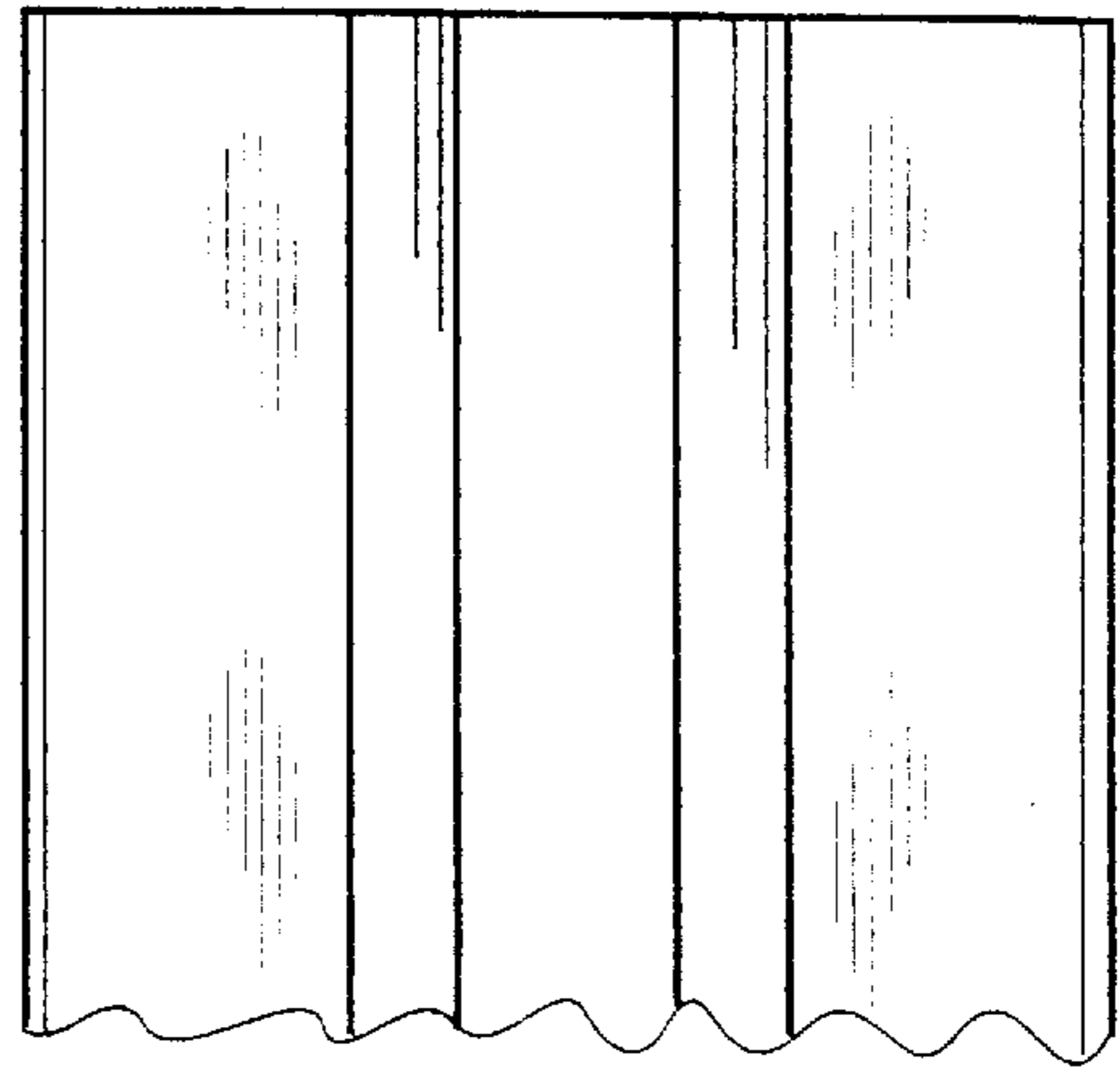


Fig. 4

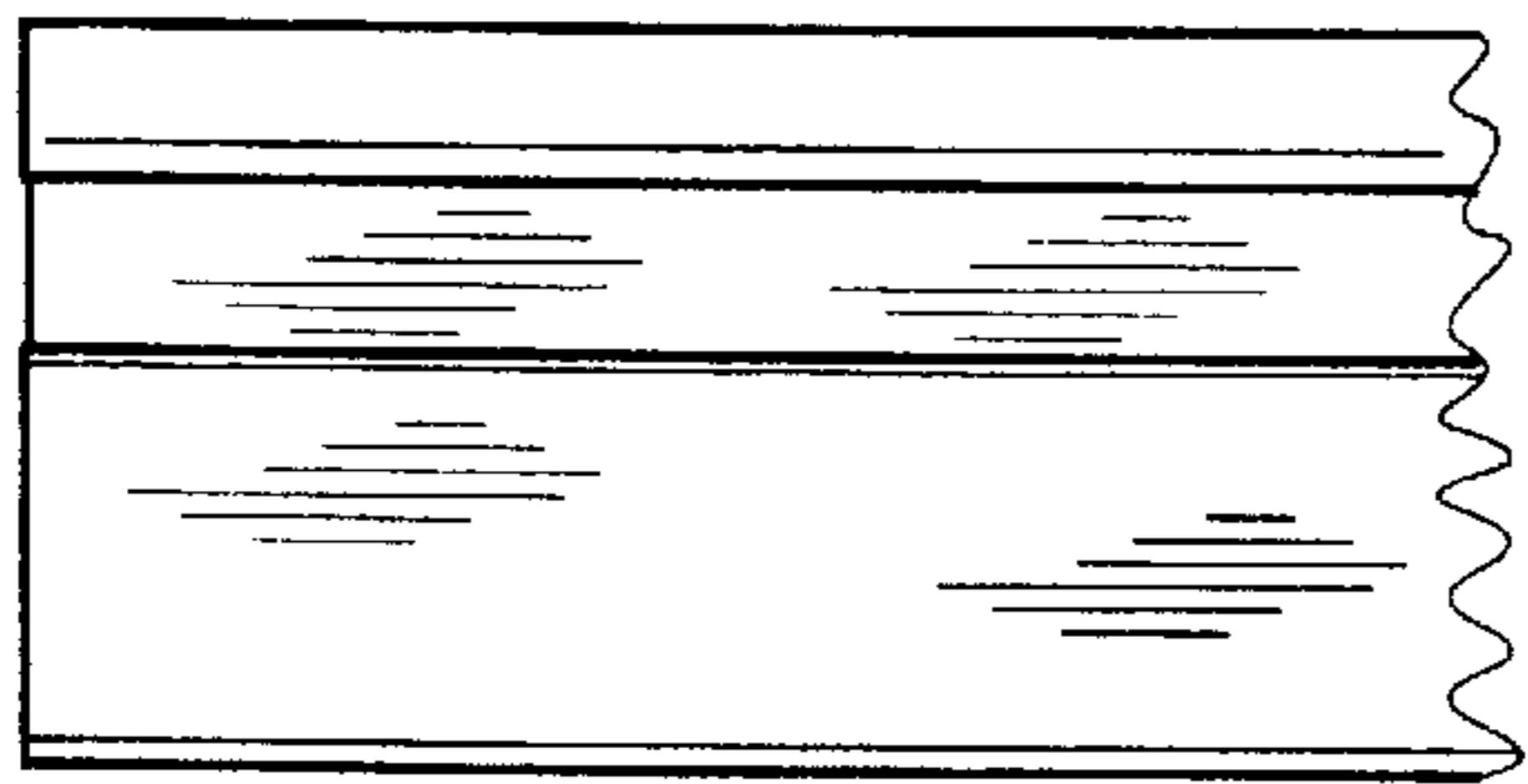


Fig. 5

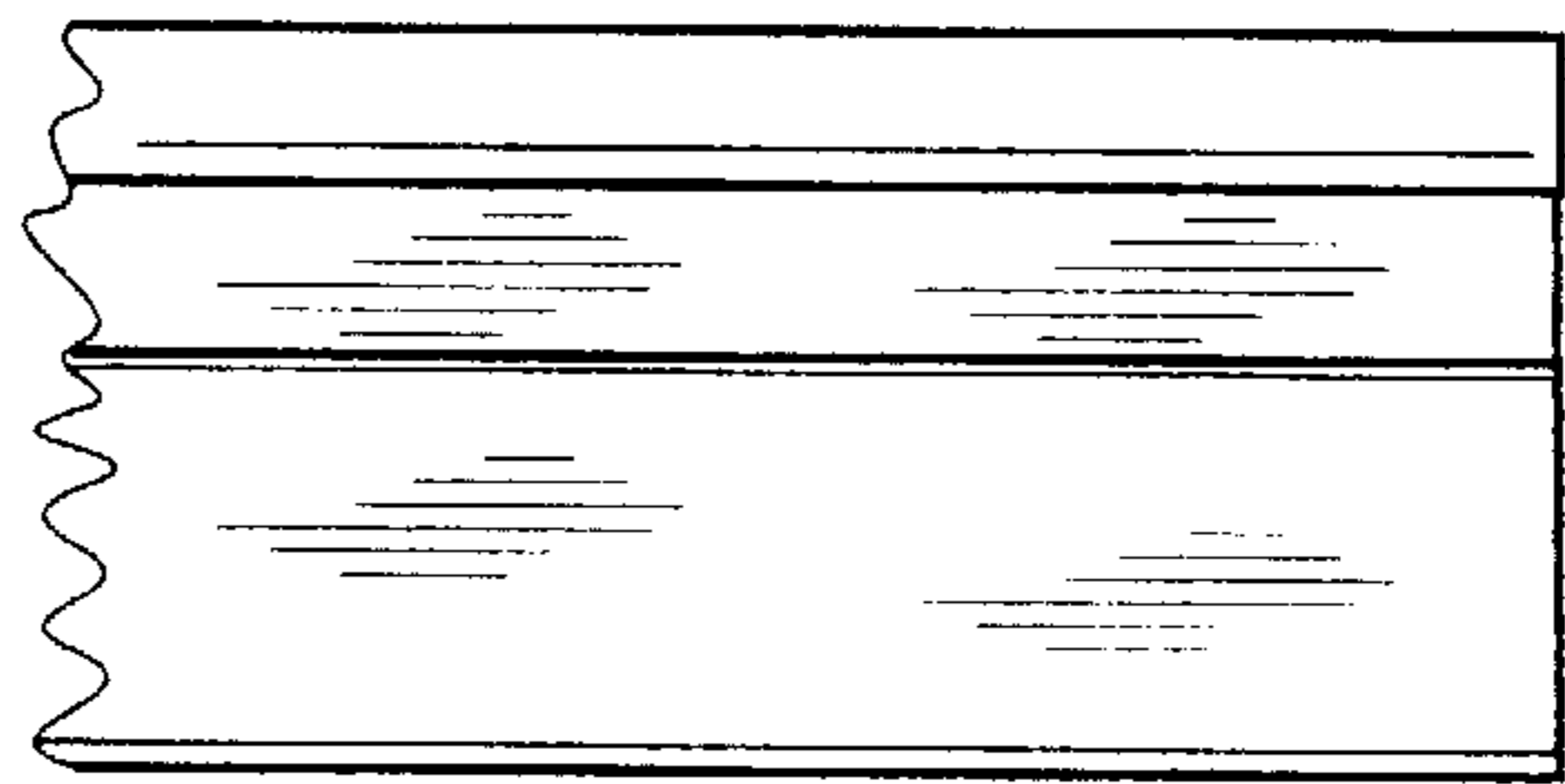


Fig. 6

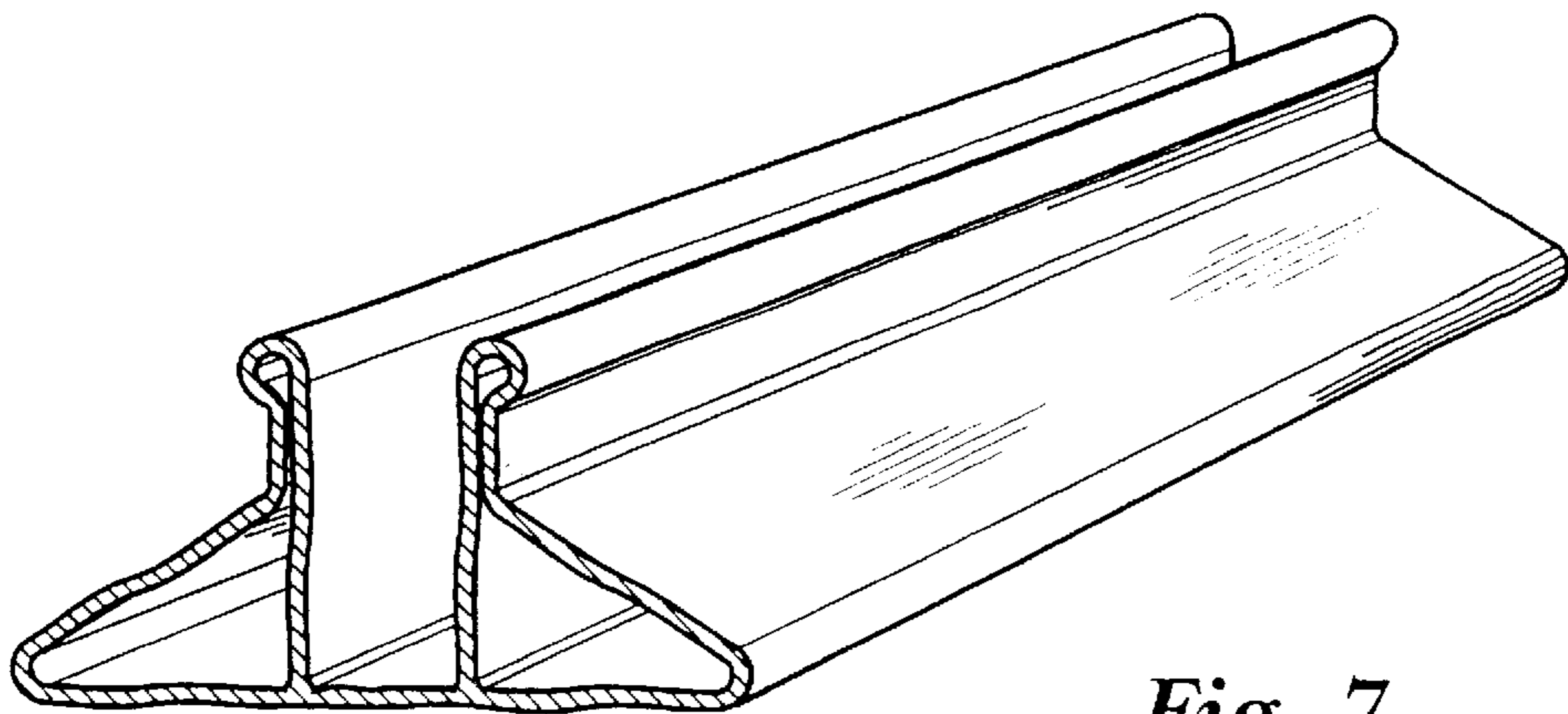


Fig. 7