



US00D417288S

United States Patent [19] Bissell

[11] Patent Number: Des. 417,288

[45] Date of Patent: ** Nov. 30, 1999

[54] ENHANCED VISIBILITY WINDOW SCREEN

5,505,244 4/1996 Thumann .

[76] Inventor: Sheldon Bissell, P.O. Box 135,
Mountain Ranch, Calif. 95246

OTHER PUBLICATIONS

Pella Rolscreen advertisement, Victoria Magazine, Apr. 1998, p. 9.

[**] Term: 14 Years

Primary Examiner—Doris Clark
Attorney, Agent, or Firm—Heisler & Associates

[21] Appl. No.: 29/100,933

[22] Filed: Feb. 22, 1999

[57] CLAIM

[51] LOC (6) Cl. 25-02

The ornamental design for an enhanced visibility window screen, as shown and described.

[52] U.S. Cl. D25/53

[58] Field of Search 160/99, 97, 98,
160/100, 102, 103, 105, 112; D25/49, 53

DESCRIPTION

[56] References Cited

U.S. PATENT DOCUMENTS

D. 174,803	5/1955	Di Loreto	D25/53
797,851	8/1905	Hawks et al. .	
871,661	11/1907	Arctander .	
883,444	3/1908	Berg .	
1,172,800	2/1916	Johnson	D25/53
1,458,617	6/1923	Smidt .	
1,459,155	6/1923	Ioor .	
1,556,436	10/1925	Gorayeb .	
1,684,690	9/1928	Steger .	
1,738,608	12/1929	Perior .	
1,792,054	2/1931	Wilking	160/100
1,803,674	5/1931	Nicholson .	
2,094,444	9/1937	Bozin .	
2,180,780	11/1939	Summers .	
2,283,329	5/1942	Johnson .	
2,514,274	7/1950	Zagrodny .	
2,514,438	7/1950	Bardega .	
2,615,512	10/1952	Friis	160/100
3,005,489	10/1961	Crocker et al. .	
3,470,934	10/1969	Agnew .	
3,911,990	10/1975	Hoover et al. .	
4,825,921	5/1989	Rigter .	
4,862,942	9/1989	Johnson .	
4,991,640	2/1991	Verkindt et al. .	
4,993,468	2/1991	Hackman et al. .	

FIG. 1 is a front perspective view of the invention in place adjacent a window and with the screen in a stored configuration;

FIG. 2 is a front perspective view of the invention in place adjacent a window and with the screen in a deployed configuration covering an opening in the adjacent window;

FIG. 3 is a perspective view of the invention alone;

FIG. 4 is a detail of a portion of that which is shown in FIG. 1 with the screen in a stored configuration;

FIG. 5 is a detail of a portion of that which is shown in FIG. 1 with the screen partially deployed;

FIG. 6 is a left side view of the invention with mid portions of similar appearance removed, the right side view being a mirror image;

FIG. 7 is a front elevation view of the invention with mid portions of similar appearance removed;

FIG. 8 is a right side view of the invention with mid portions of similar appearance removed;

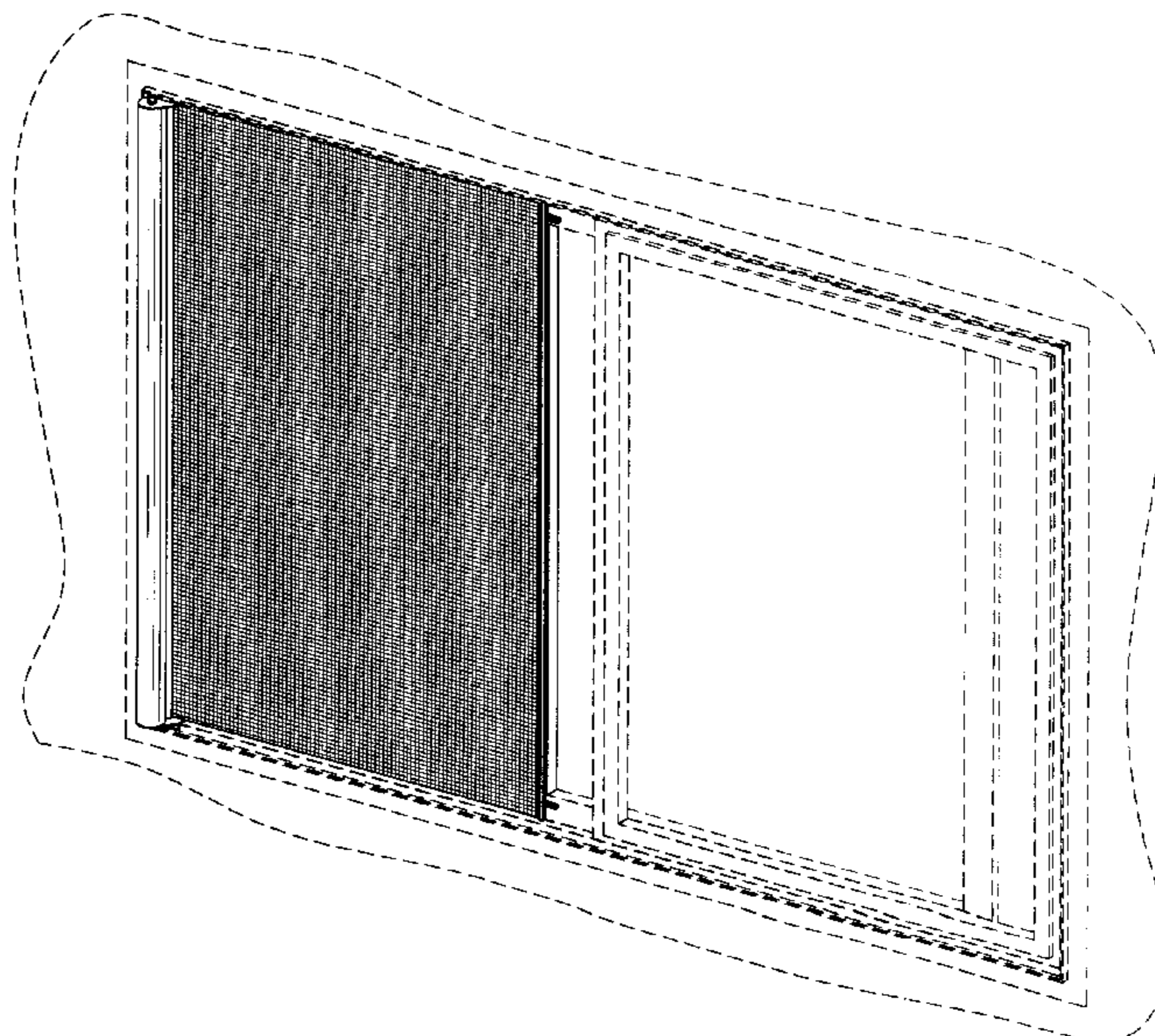
FIG. 9 is a top plan view of the invention;

FIG. 10 is a bottom plan view of the invention;

FIG. 11 is a rear elevation view of the invention with mid portions of similar appearance removed; and,

FIG. 12 is a right side view of a mid portion of the invention. The broken lines in FIGS. 1-5 and 7-12 are for purposes of illustration only and form no part of the claimed design.

1 Claim, 4 Drawing Sheets



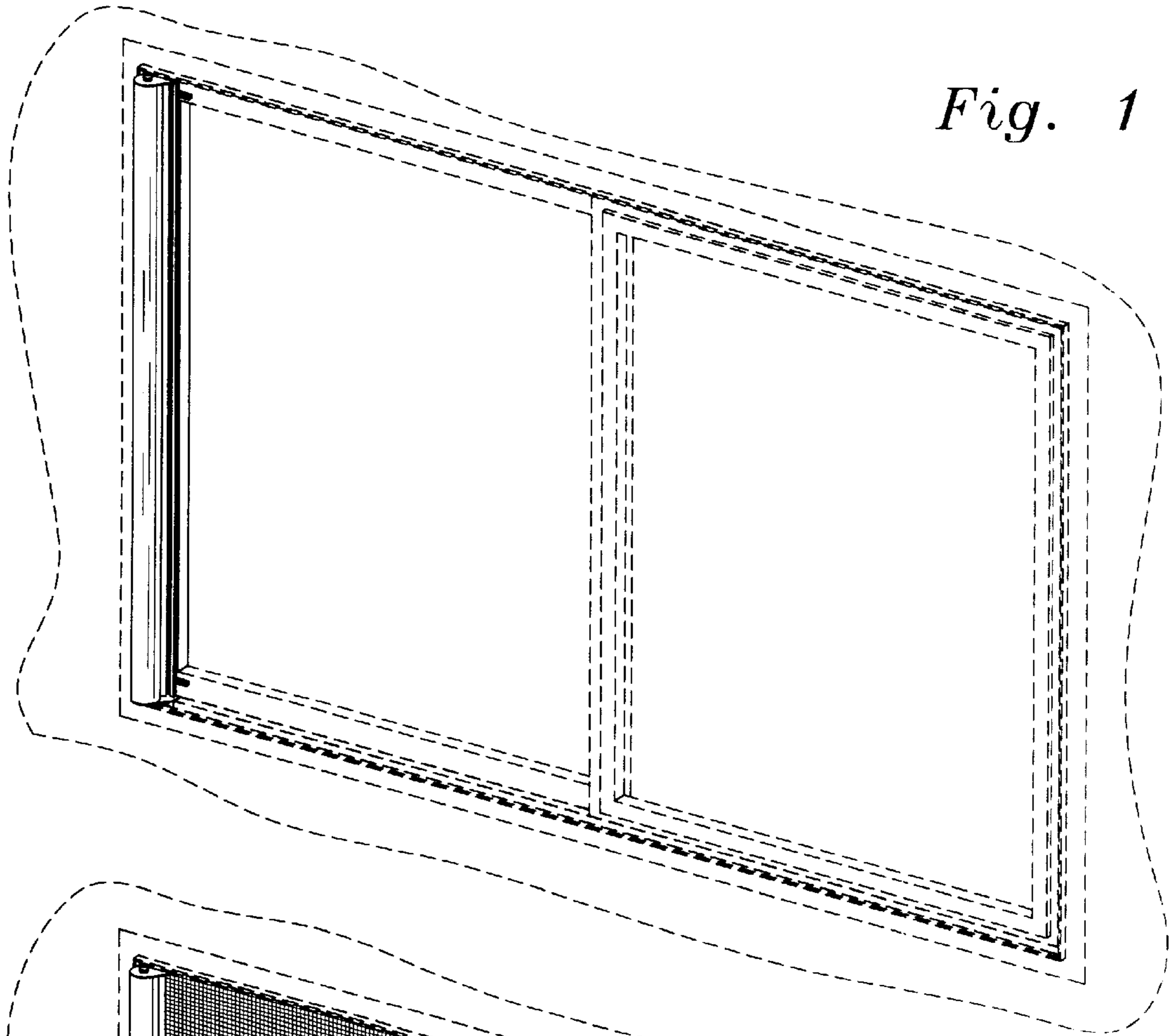


Fig. 1

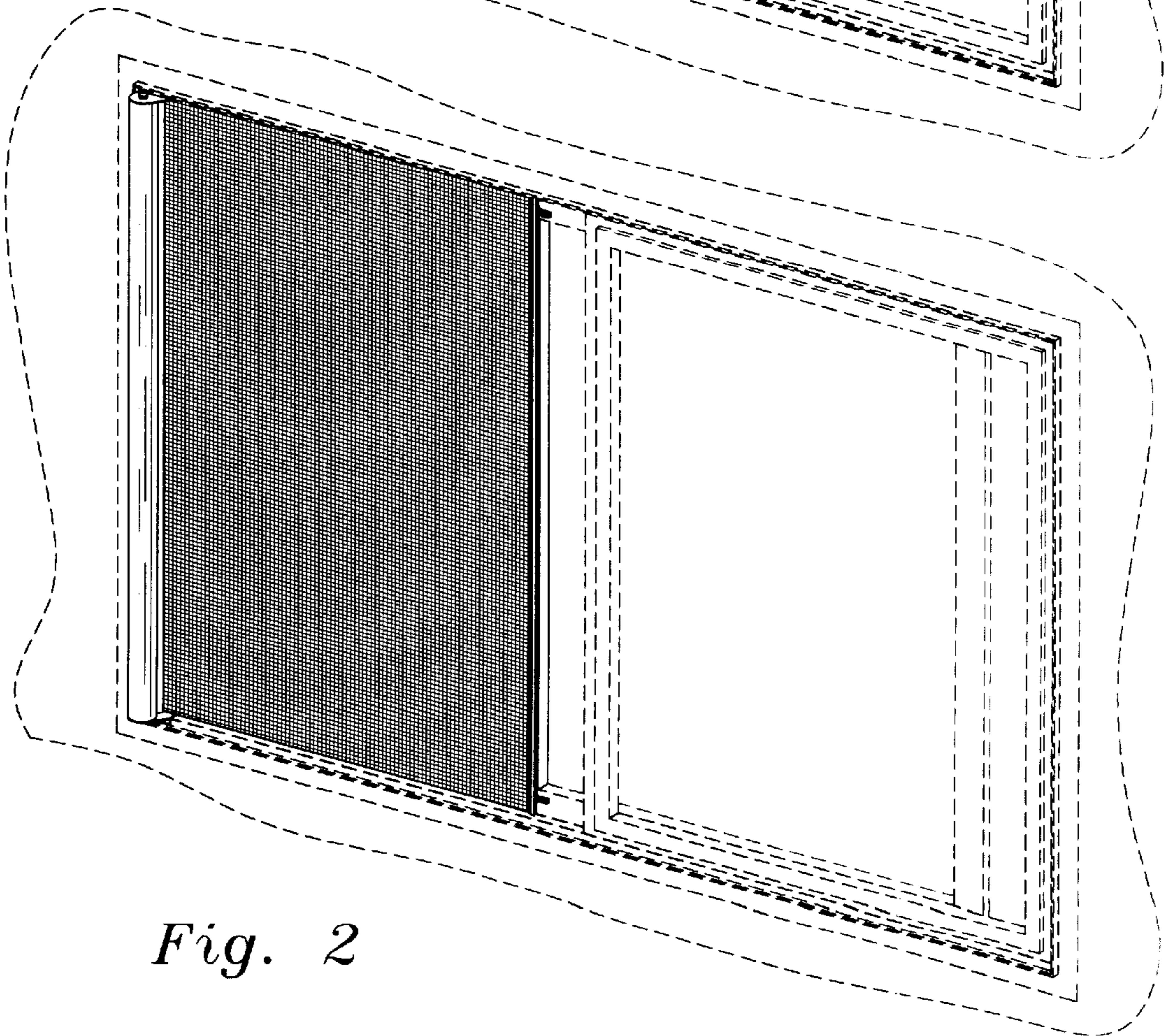


Fig. 2

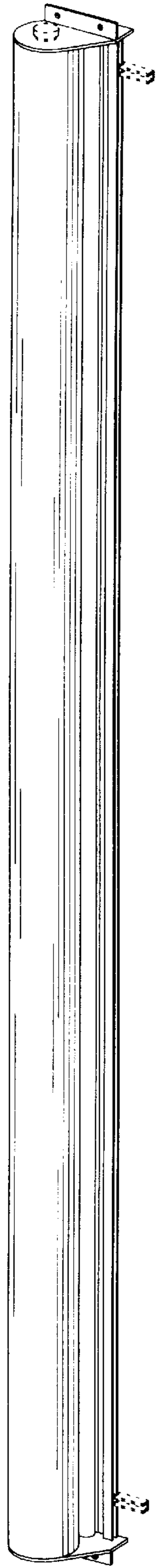


Fig. 3

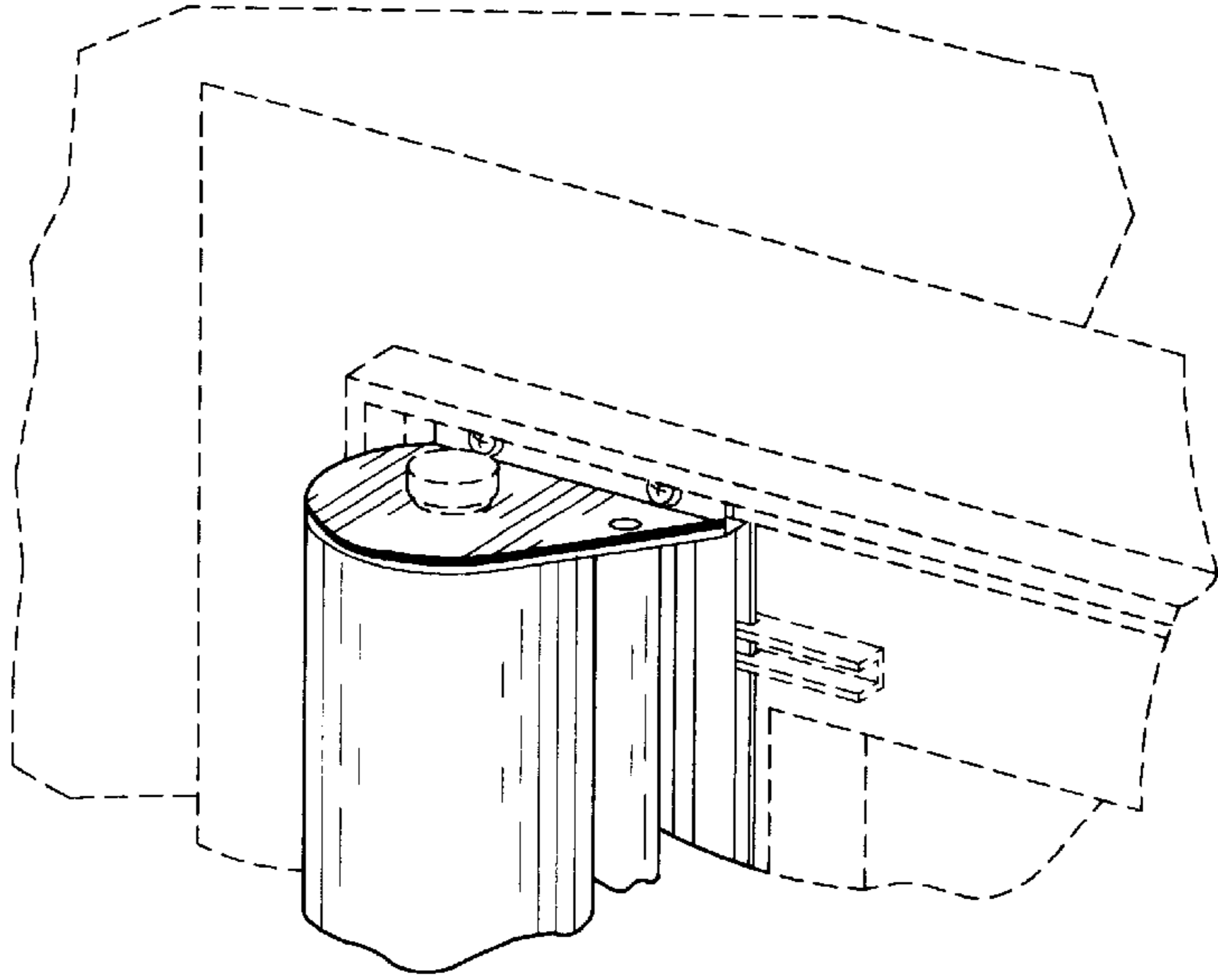


Fig. 4

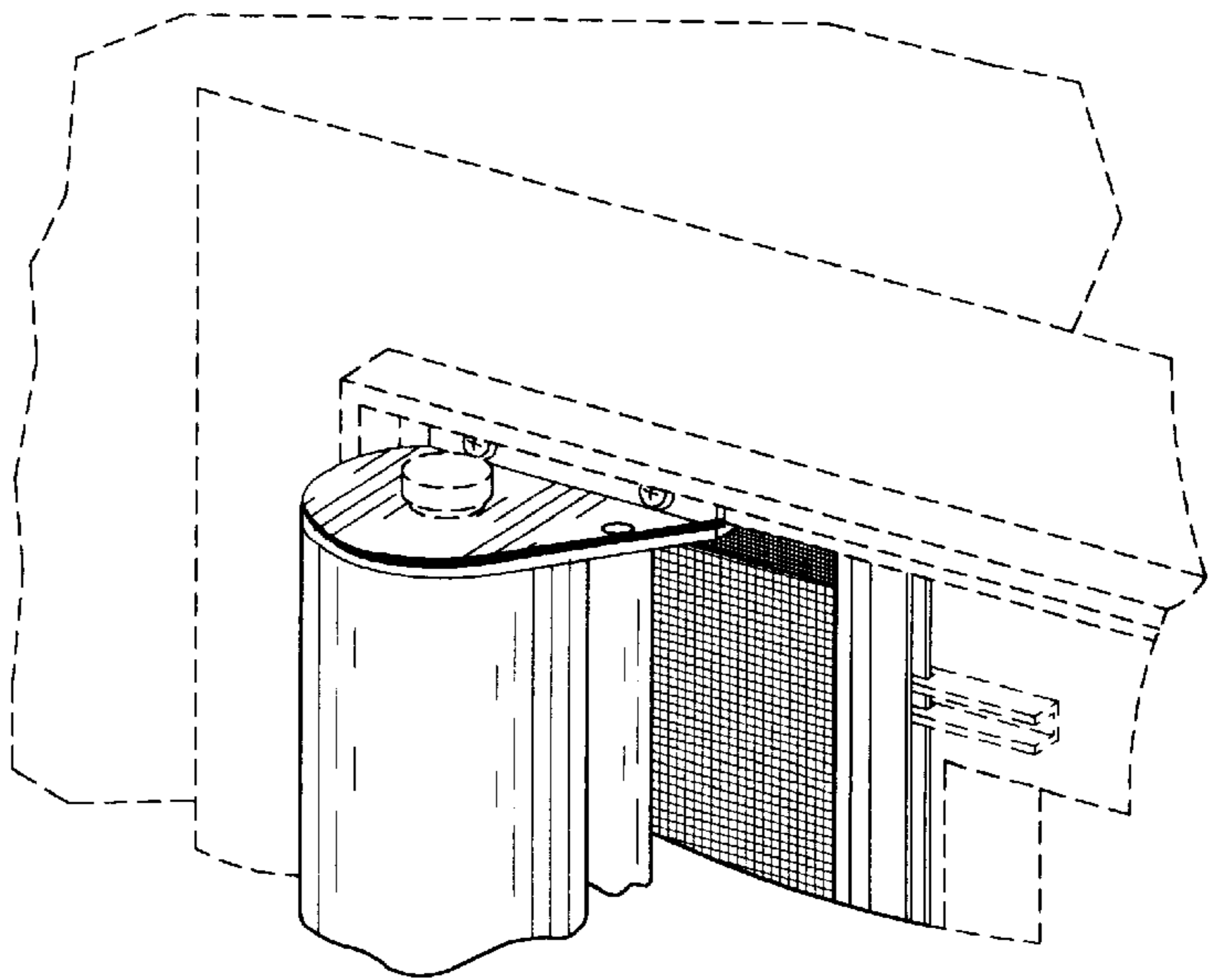


Fig. 5

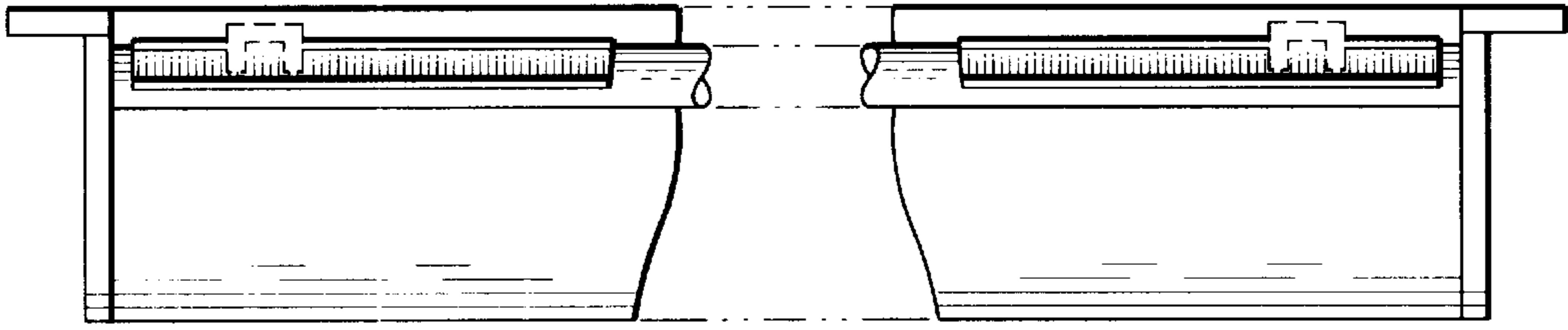


Fig. 8

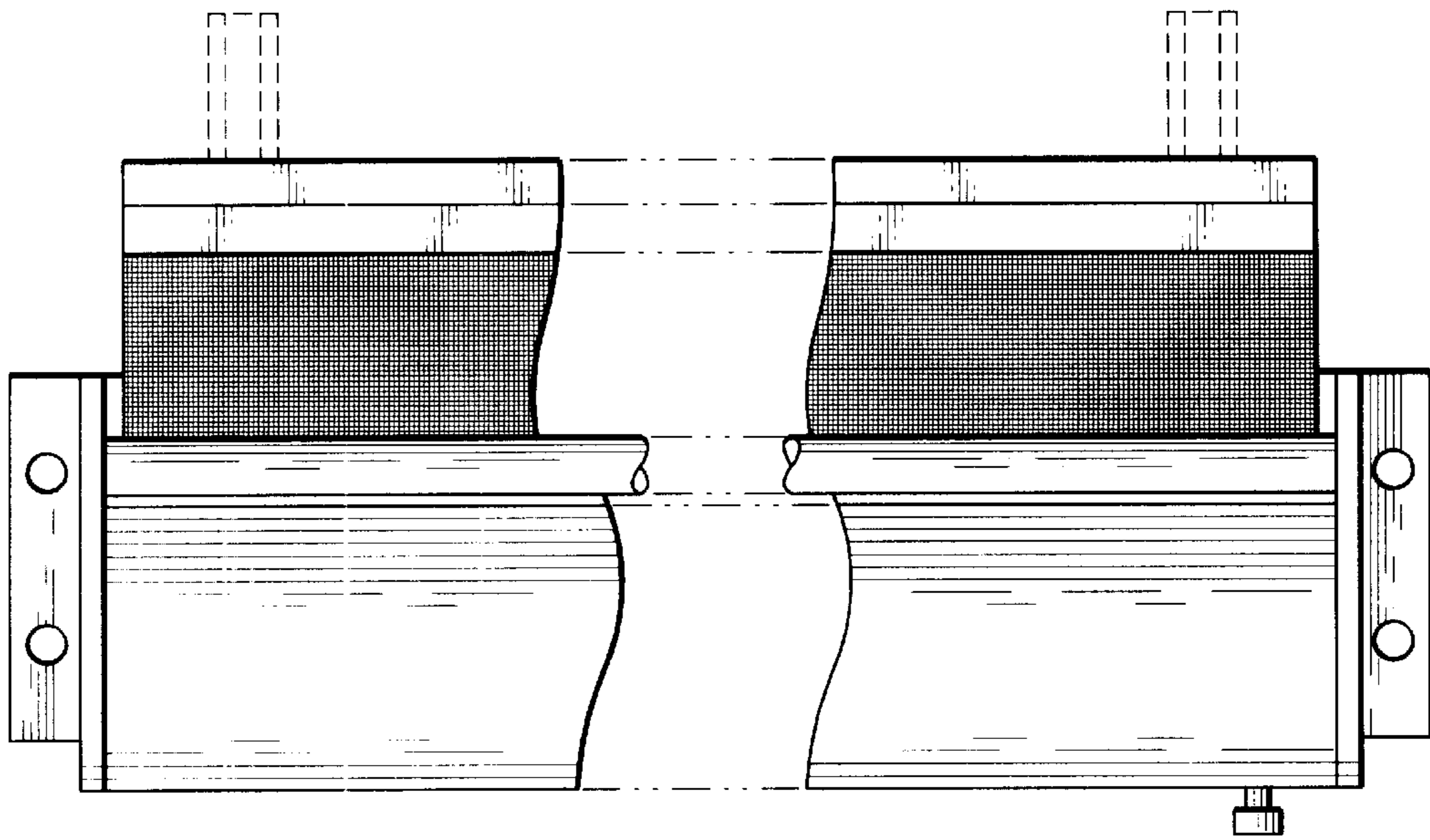


Fig. 7

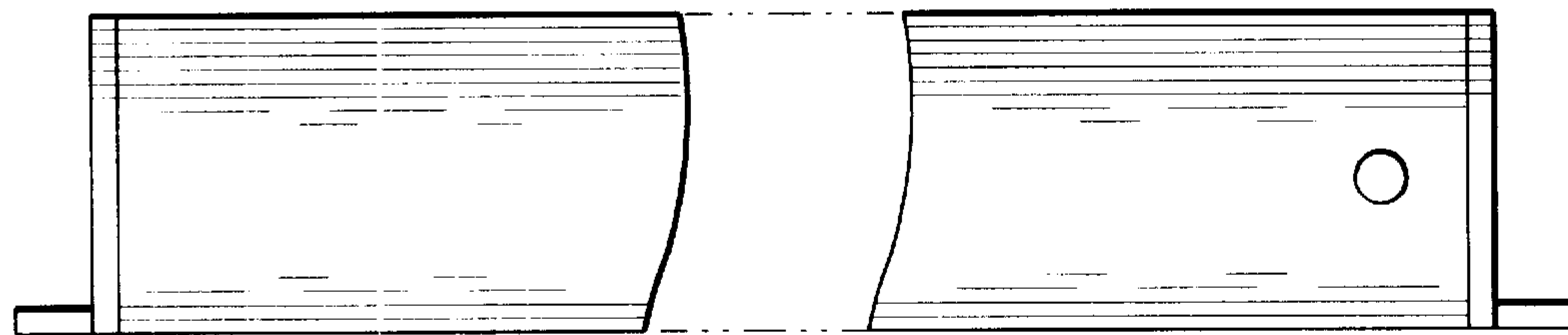


Fig. 6

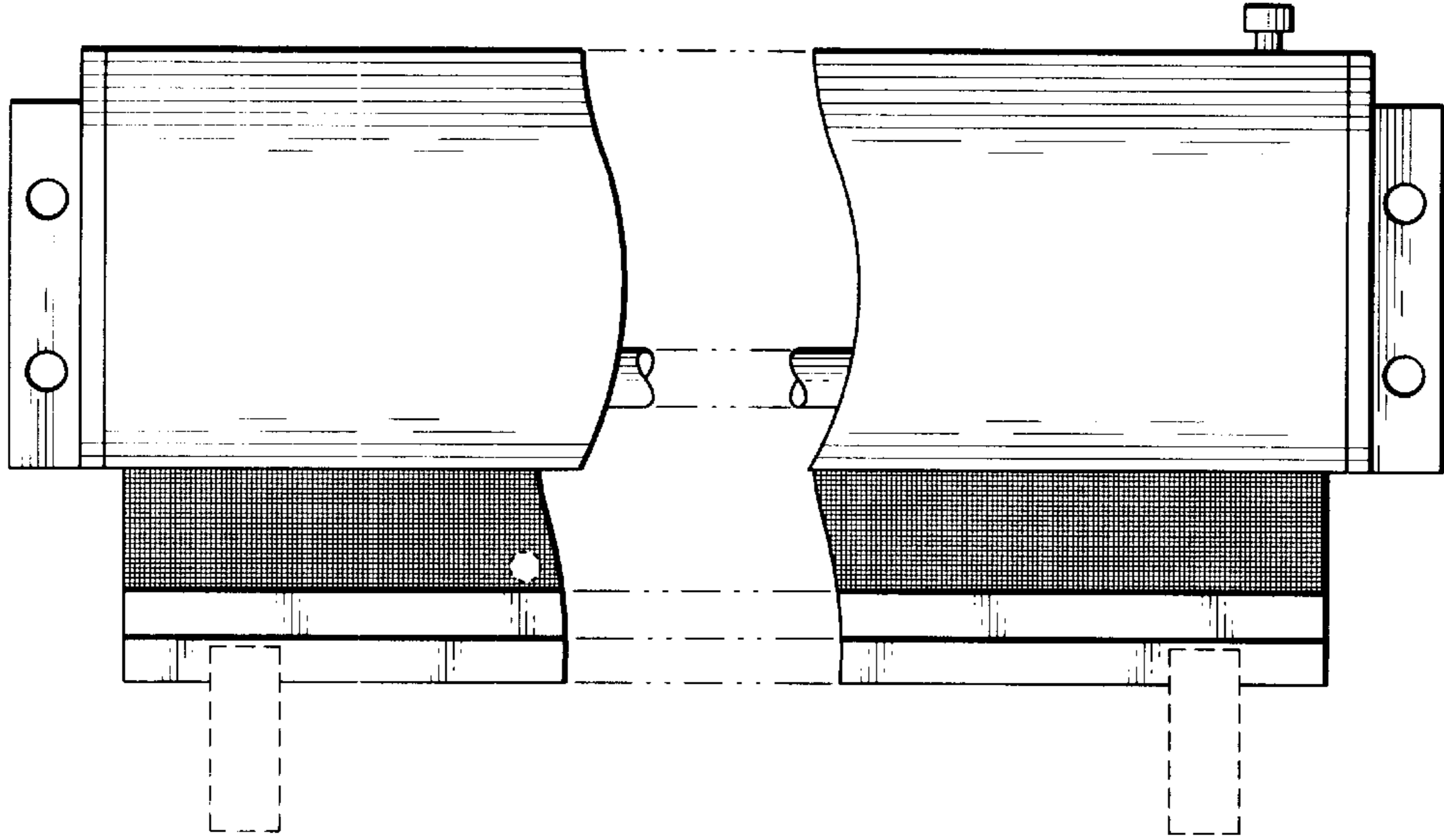


Fig. 11

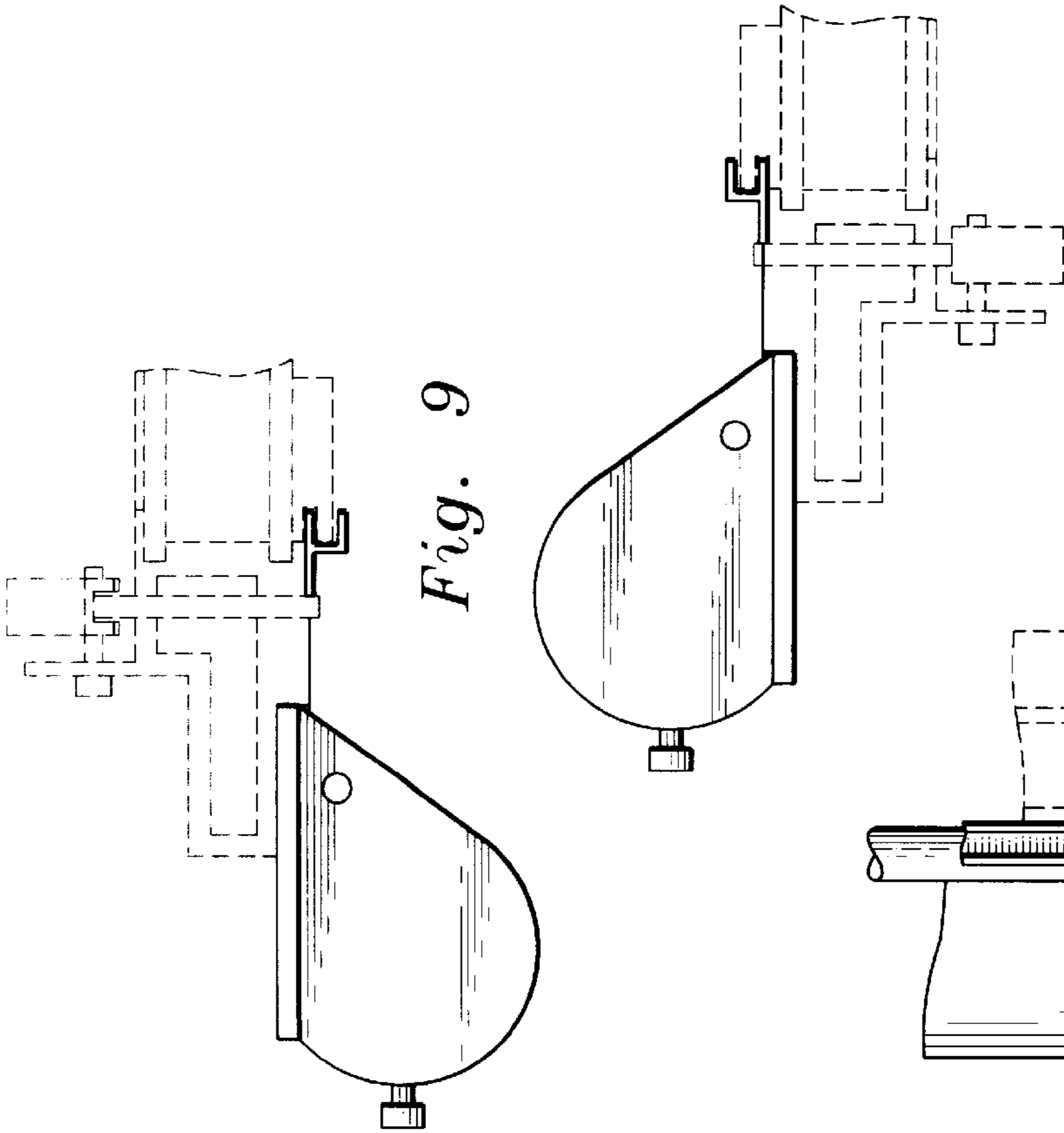


Fig. 9

Fig. 10

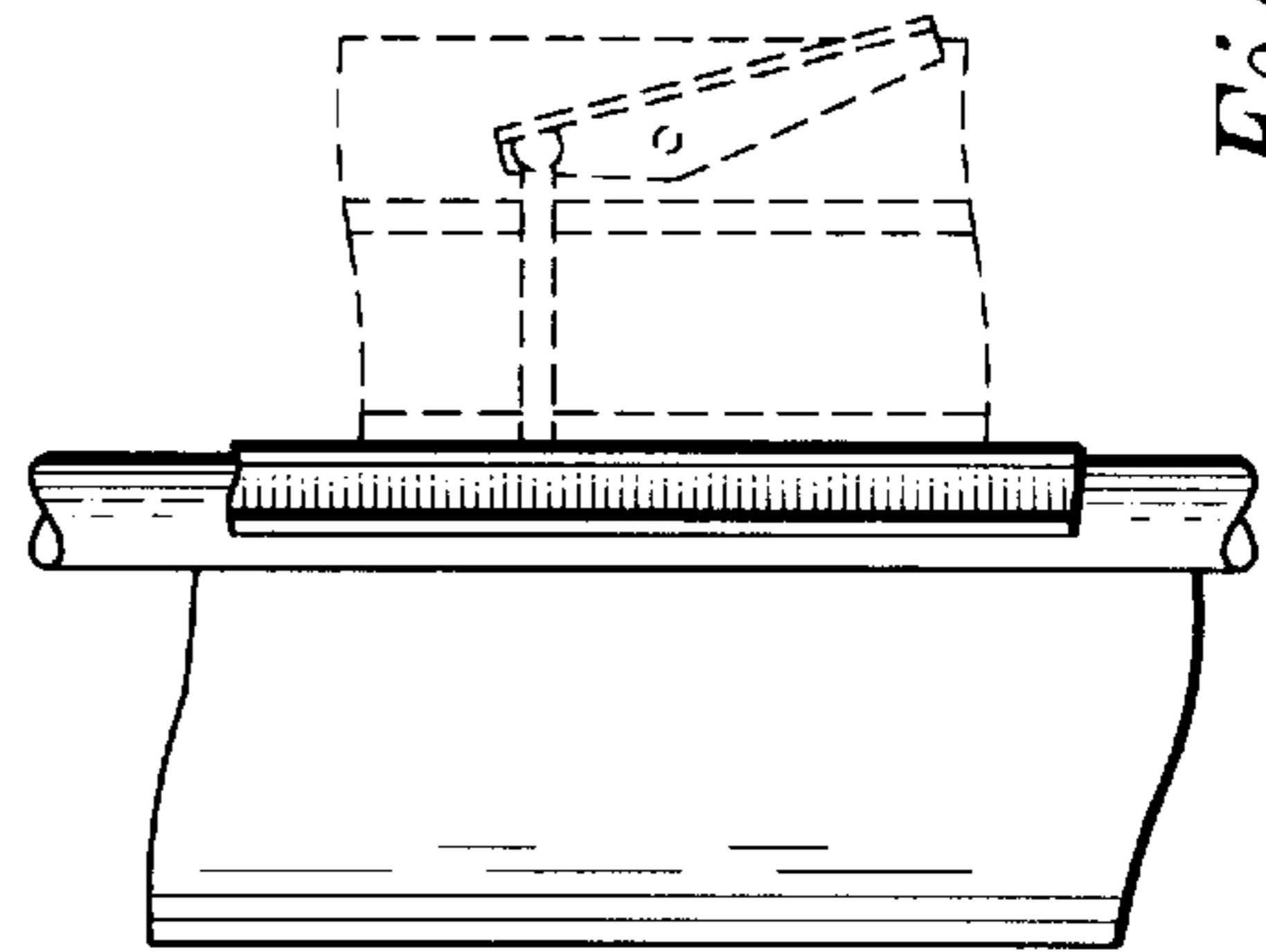


Fig. 12