



US00D417286S

United States Patent [19]
Sullivan

[11] **Patent Number: Des. 417,286**

[45] **Date of Patent: ** *Nov. 30, 1999**

[54] **COMBINATION FIBERGLASS SWIMMING POOL AND SPA**

D. 278,933 5/1985 Sullivan D25/2
D. 285,350 8/1986 Sullivan D25/2

[76] Inventor: **Kirk Sullivan**, 5028 Lake in the Woods Blvd., Lakeland, Fla. 33813

Primary Examiner—Doris Clark
Attorney, Agent, or Firm—Stetina Brunda Garred & Brucker

[*] Notice: This patent is subject to a terminal disclaimer.

[**] Term: **14 Years**

[57] **CLAIM**

The ornamental design for a combination fiberglass swimming pool and spa, as shown and described.

[21] Appl. No.: **29/089,141**

DESCRIPTION

[22] Filed: **Jun. 9, 1998**

[51] **LOC (6) Cl.** **25-03**

[52] **U.S. Cl.** **D25/2**

[58] **Field of Search** D25/2; D24/204; 4/488, 513

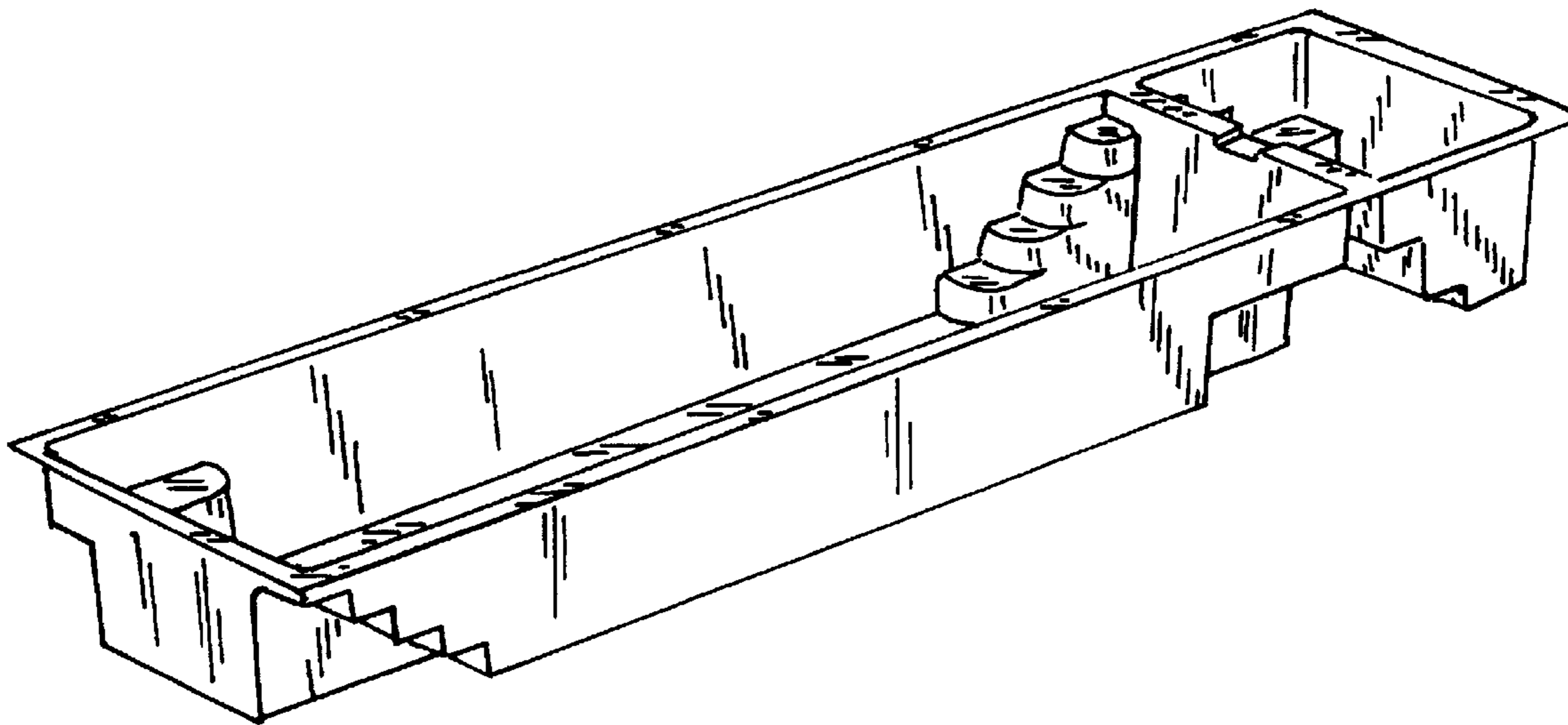
FIG. 1 is a perspective view of the combination fiberglass swimming pool and spa of the present invention; FIG. 2 is a top plan view of the combination fiberglass swimming pool and spa of the present invention; FIG. 3 is a cross-sectional view of the combination fiberglass swimming pool and spa of the present invention taken along lines 3—3 of FIG. 2; FIG. 4 is a cross-sectional view of the combination fiberglass swimming pool and spa of the present invention along lines 4—4 of FIG. 2; and, FIG. 5 is a cross-sectional view of the combination fiberglass swimming pool and spa of the present invention taken along lines 5—5 of FIG. 2.

[56] **References Cited**

U.S. PATENT DOCUMENTS

D. 179,930	3/1957	Culver	D25/2
D. 251,201	2/1979	Mathis	4/488
D. 275,608	9/1984	Sullivan	D25/2
D. 275,609	9/1984	Monten	D26/2
277,135	1/1985	Sullivan	D24/38
D. 278,932	5/1985	Sullivan	D25/2

1 Claim, 1 Drawing Sheet



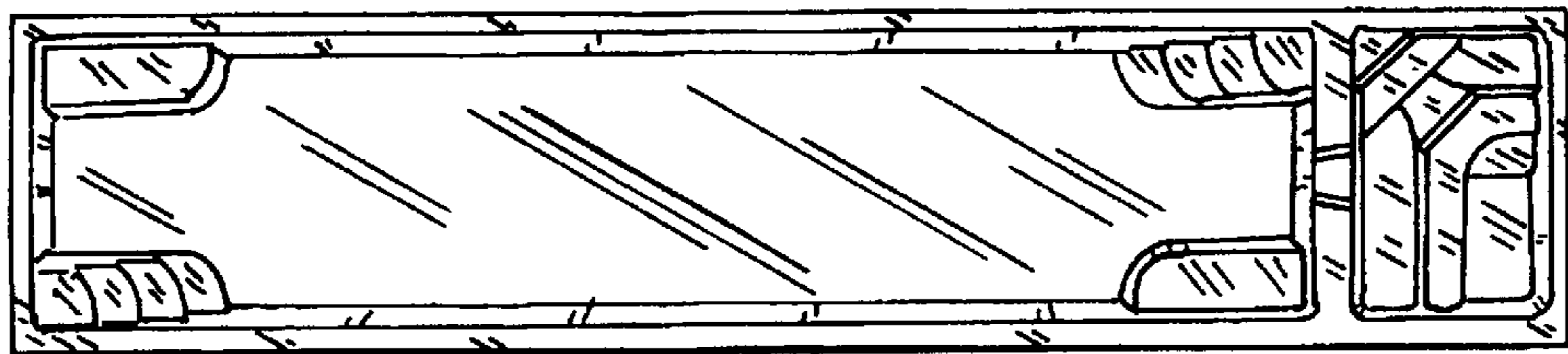
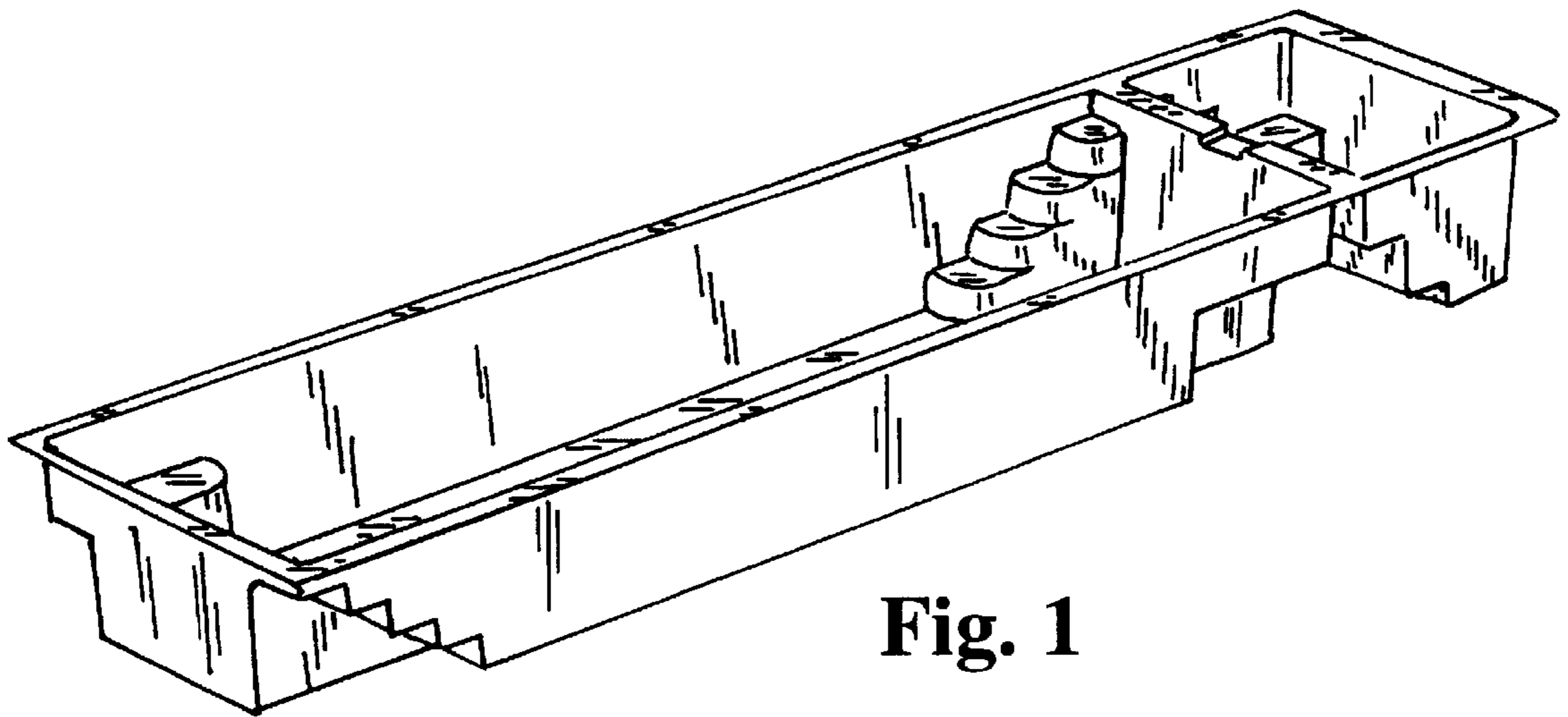


Fig. 2



Fig. 3

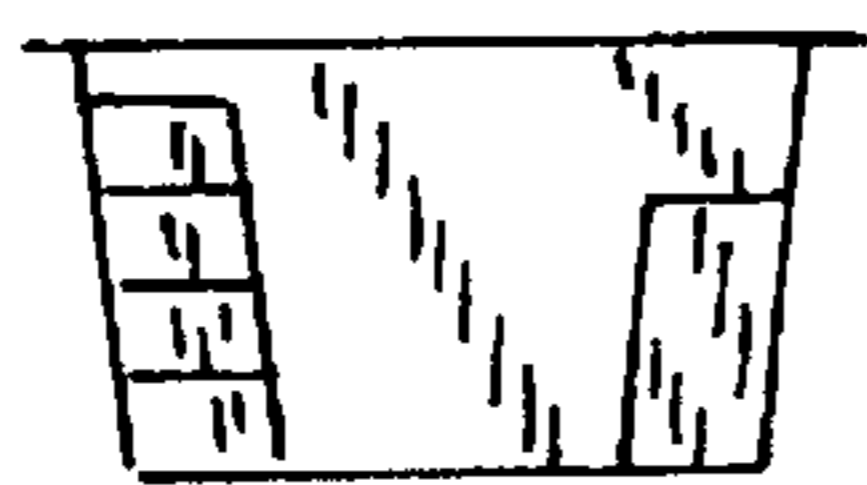


Fig. 4



Fig. 5