



US00D417284S

United States Patent [19] Kondo

[11] **Patent Number: Des. 417,284**

[45] **Date of Patent: ** Nov. 30, 1999**

[54] **PORTABLE HEATER**

D. 366,937 2/1996 Schaub D24/206
2,498,983 2/1950 D'Albora 219/527

[75] Inventor: **Osamu Kondo**, Osaka, Japan

FOREIGN PATENT DOCUMENTS

937462 10/1995 Japan .

[73] Assignee: **Matsushita Electric Industrial Co., Ltd.**, Japan

Primary Examiner—Stella Reid
Attorney, Agent, or Firm—Saidman DesignLaw Group

[**] Term: **14 Years**

[21] Appl. No.: **29/088,295**

[57] CLAIM

[22] Filed: **May 20, 1998**

The ornamental design for a portable heater, as shown and described.

[30] Foreign Application Priority Data

DESCRIPTION

Dec. 2, 1997 [JP] Japan 9-77297

FIG. 1 is a perspective view of the top, front and left side of a portable heater showing my new design;
FIG. 2 is a top plan view thereof;
FIG. 3 is a front view thereof;
FIG. 4 is a left side view thereof;
FIG. 5 is a right side view thereof;
FIG. 6 is a rear view thereof;
FIG. 7 is a bottom plan view thereof; and,
FIG. 8 is a perspective view thereof in use condition, with the broken line showing being for illustrative purposes only and forming no part of the claimed design.

[51] **LOC (6) Cl.** **24-04**

[52] **U.S. Cl.** **D24/206**

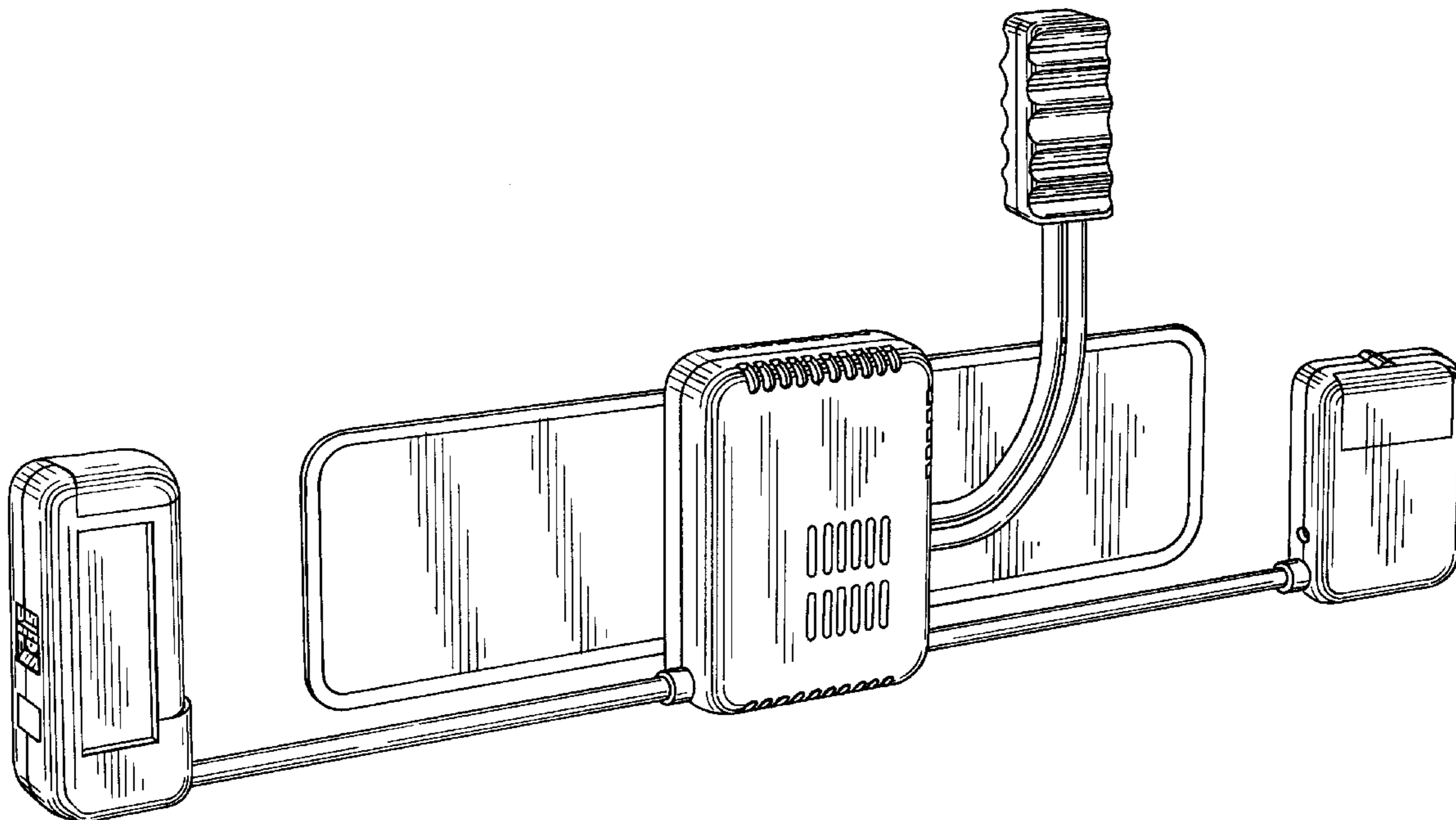
[58] **Field of Search** D24/206, 207;
607/98, 99, 96, 108, 112; 219/527, 528,
536

[56] References Cited

U.S. PATENT DOCUMENTS

D. 274,556 7/1984 Muller et al. D24/206
D. 324,734 3/1992 Burgess D24/207
D. 365,640 12/1995 Doyle et al. D24/206

1 Claim, 5 Drawing Sheets



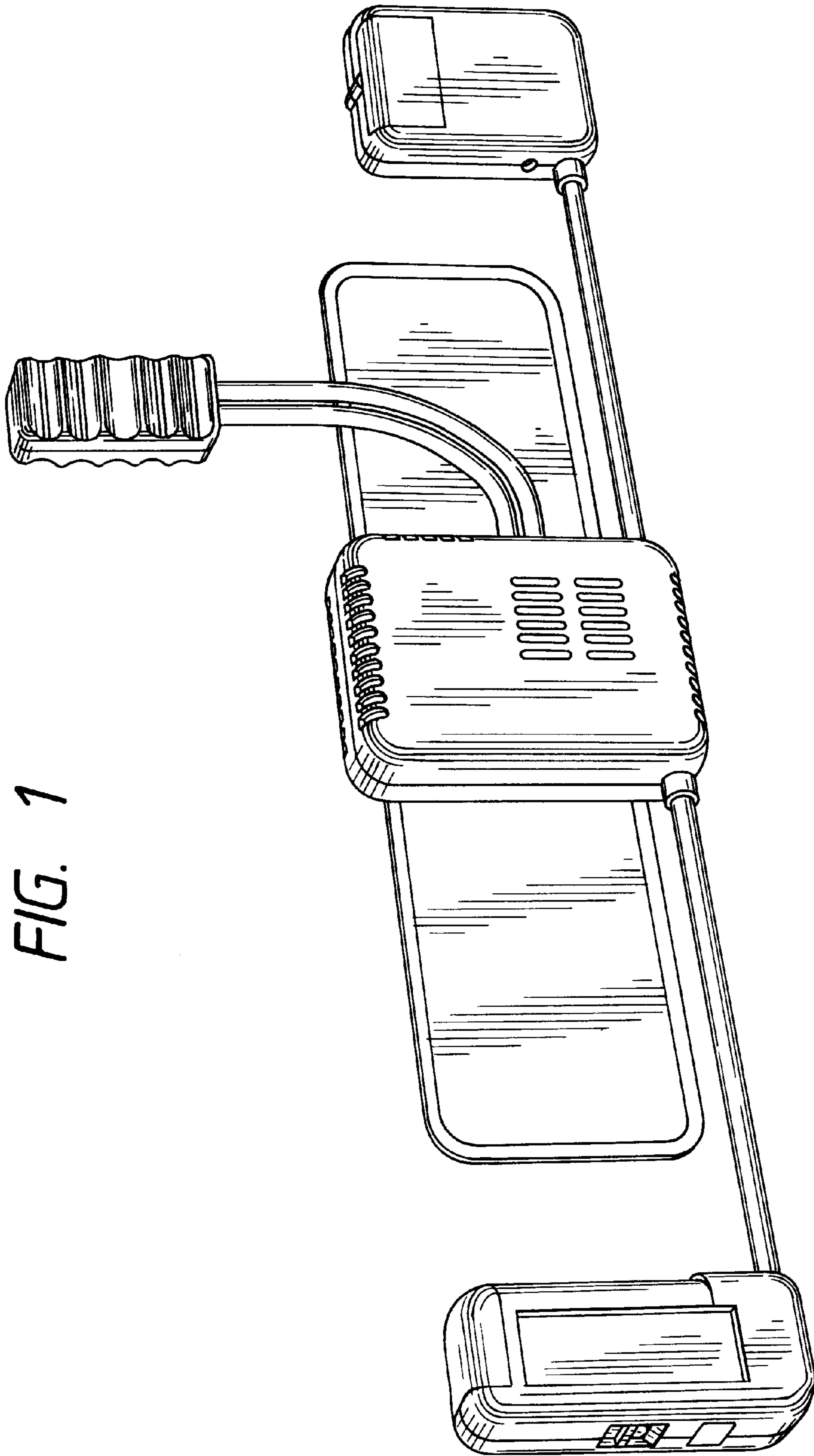


FIG. 1

FIG. 2

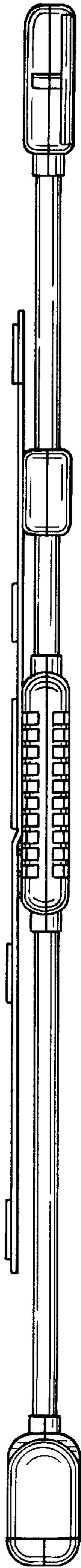


FIG. 3

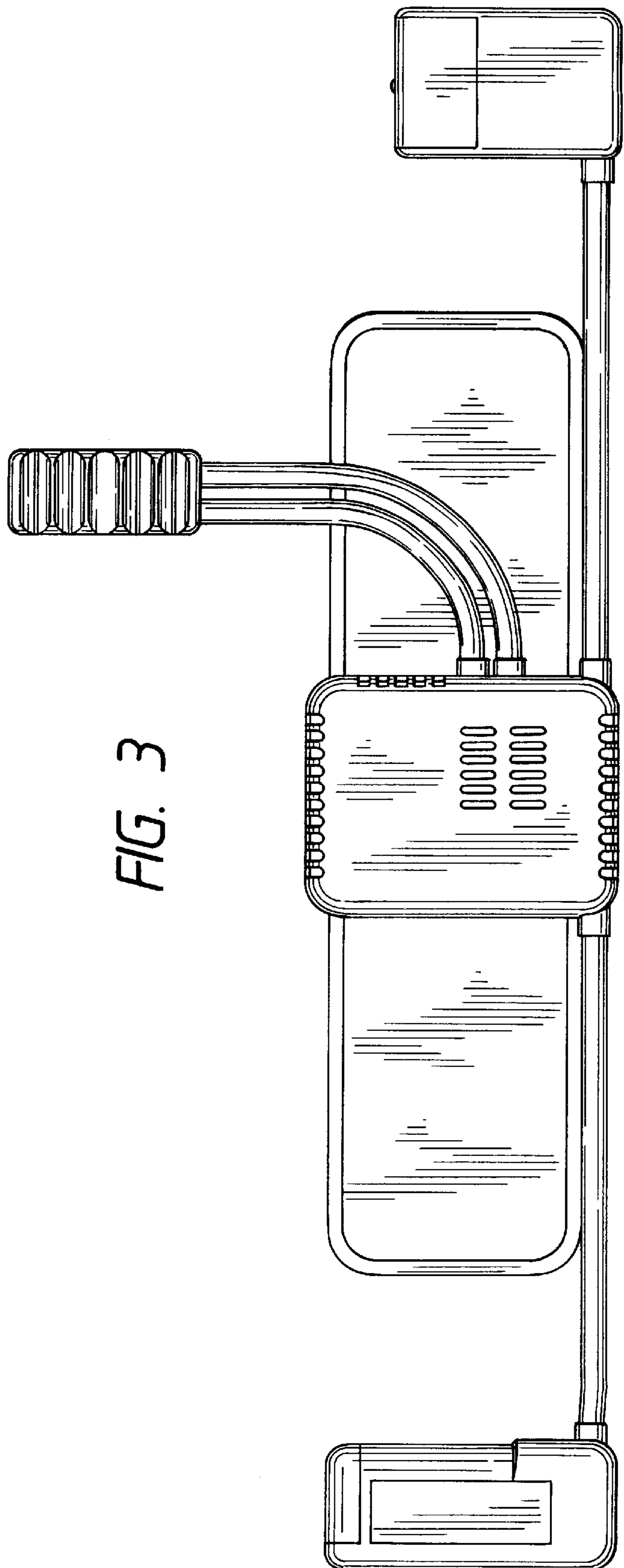


FIG. 4

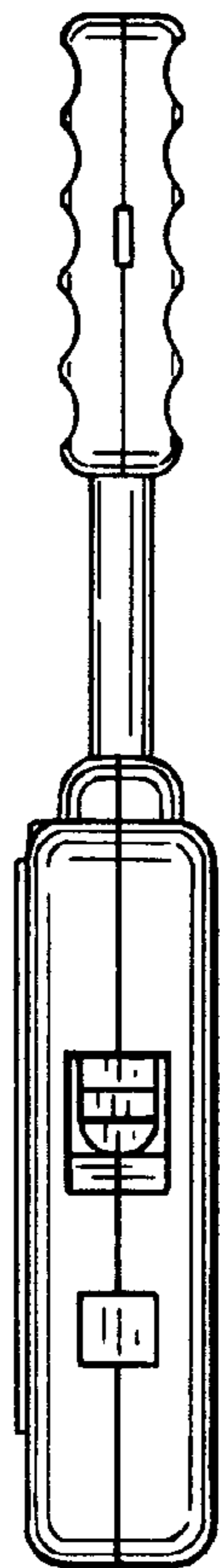


FIG. 5

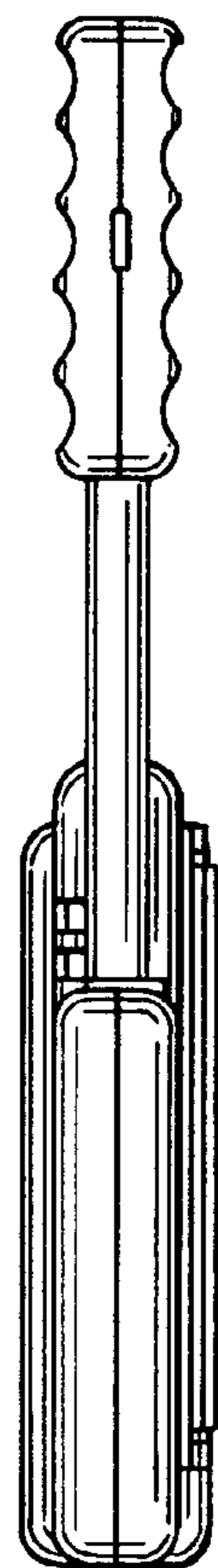


FIG. 6

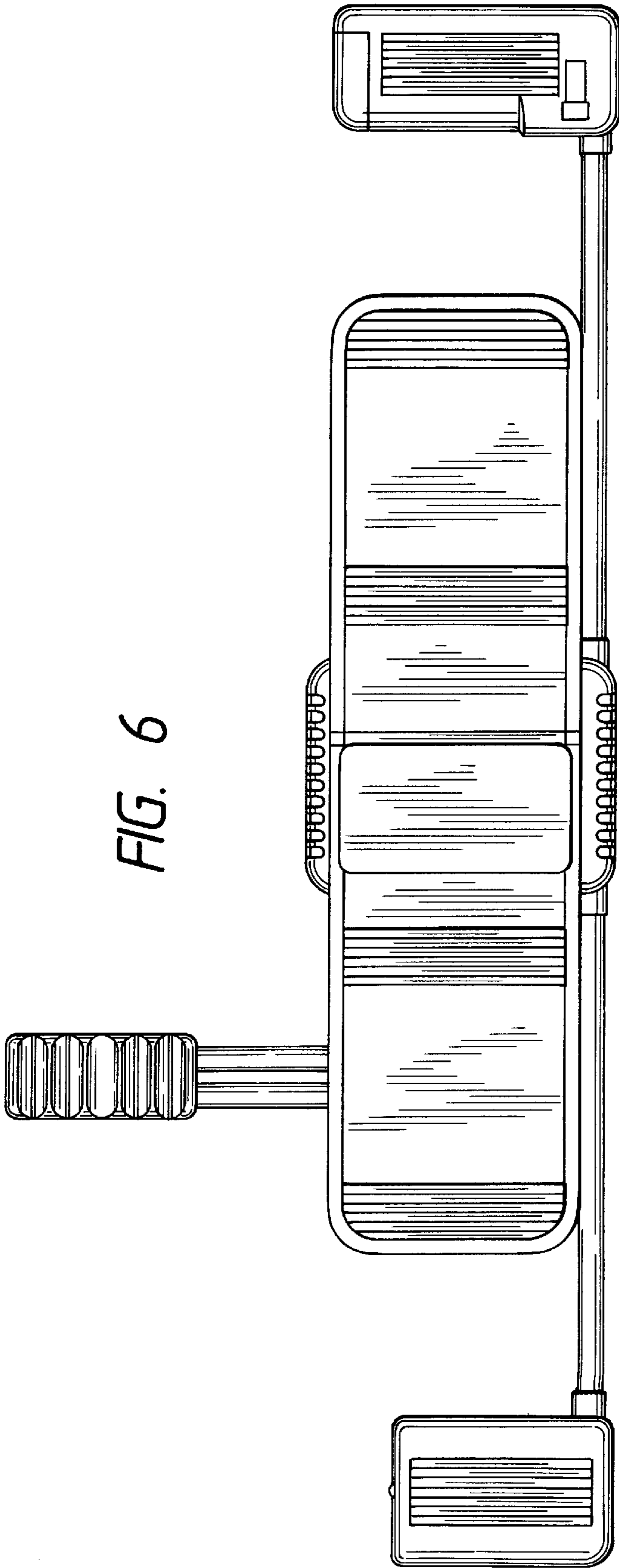


FIG. 7

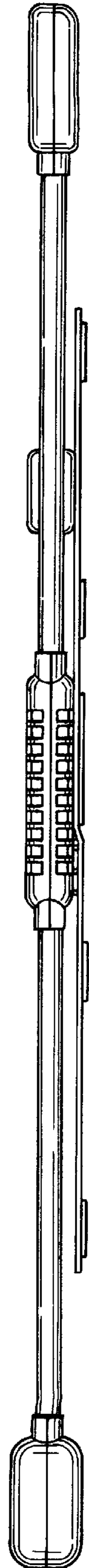


FIG. 8

