



US00D417280S

# United States Patent [19]

Hansen et al.

[11] **Patent Number: Des. 417,280**

[45] **Date of Patent: \*\* Nov. 30, 1999**

[54] **COMBINED PACIFIER AND TOY**

[76] Inventors: **William F. Hansen**, 32 Pine Ridge Ter.,  
River Falls, Wis. 54022; **Daniel R. Hanson**, W5856 760th Ave.,  
Beldenville, Wis. 54003

[\*\*] Term: **14 Years**

[21] Appl. No.: **29/102,105**

[22] Filed: **Mar. 17, 1999**

[51] **LOC (6) Cl. .... 24-04**

[52] **U.S. Cl. .... D24/195**

[58] **Field of Search** ..... D24/195, 193;  
606/234, 235, 236; D1/106

[56] **References Cited**

**U.S. PATENT DOCUMENTS**

- D. 312,877 12/1990 Flores ..... D24/195
- D. 335,929 5/1993 Cunningham et al. .... D24/194

- D. 355,965 2/1995 Harrison et al. .... D24/195
- D. 391,644 3/1998 Fletcher ..... D24/195
- D. 392,389 3/1998 Fletcher ..... D24/195
- D. 395,516 6/1998 Fletcher ..... D24/195

*Primary Examiner*—Stella Reid  
*Attorney, Agent, or Firm*—Kinney & Lange, P.A.

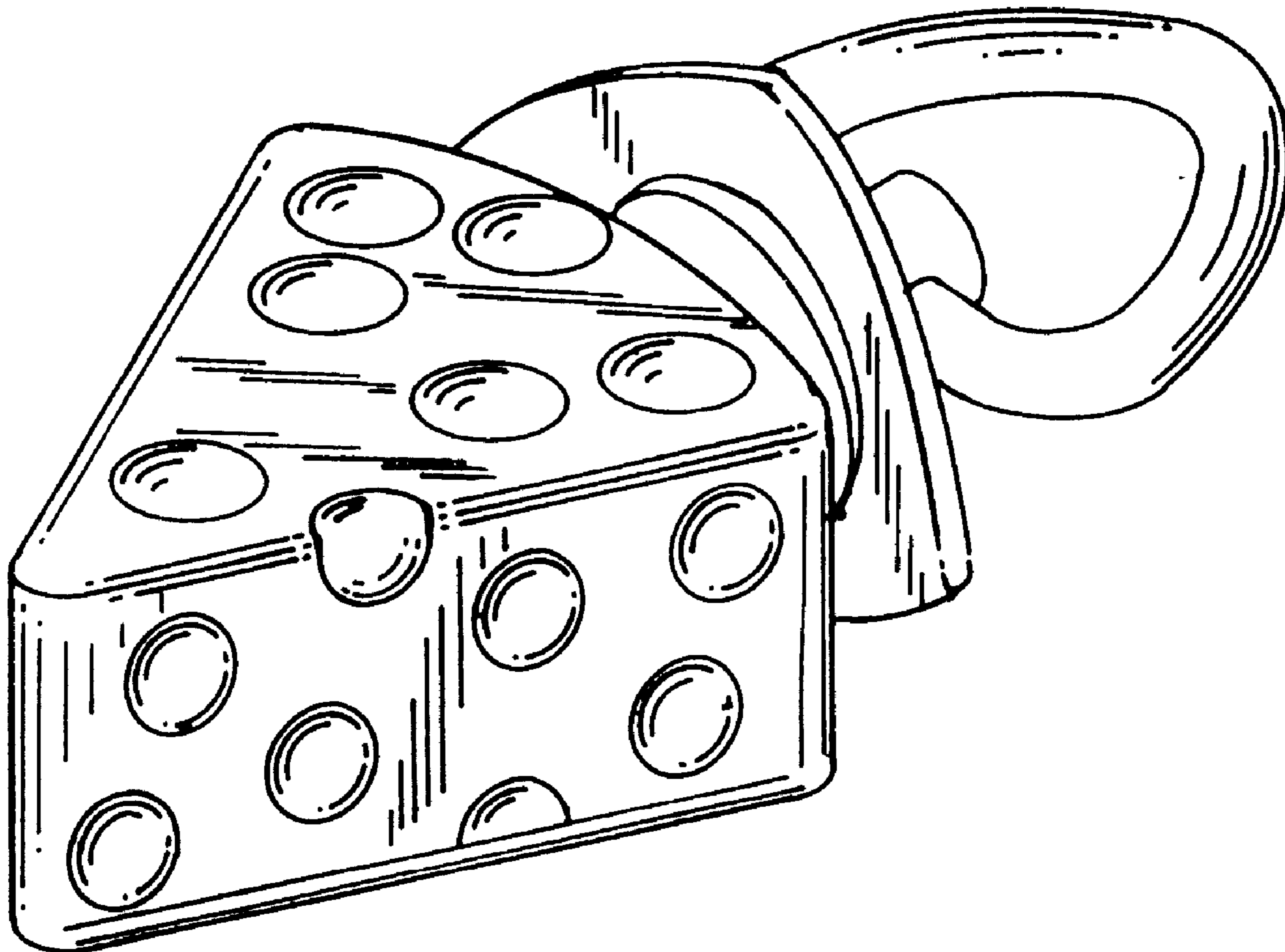
[57] **CLAIM**

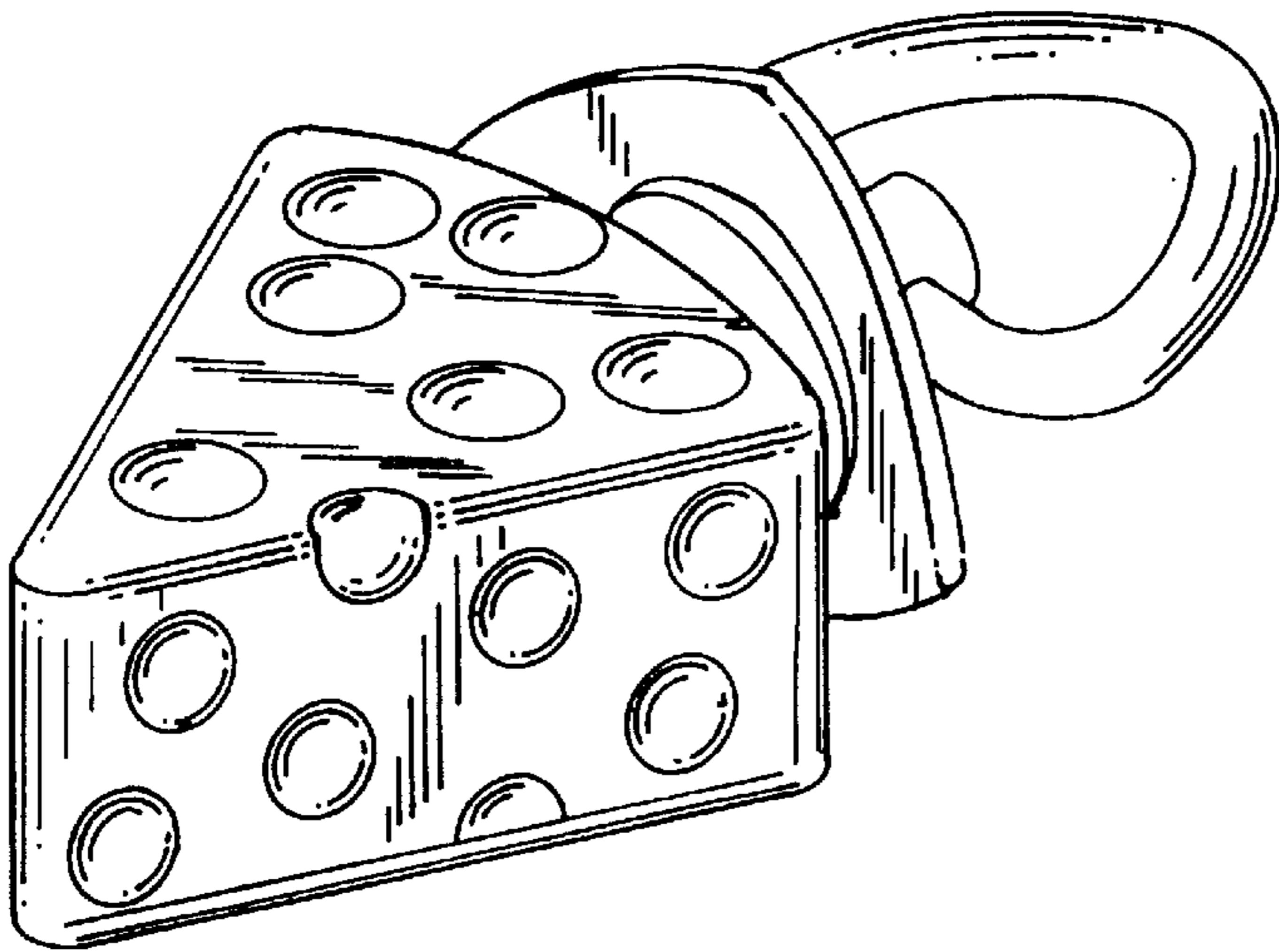
The ornamental design for a combined pacifier and toy, as shown and described.

**DESCRIPTION**

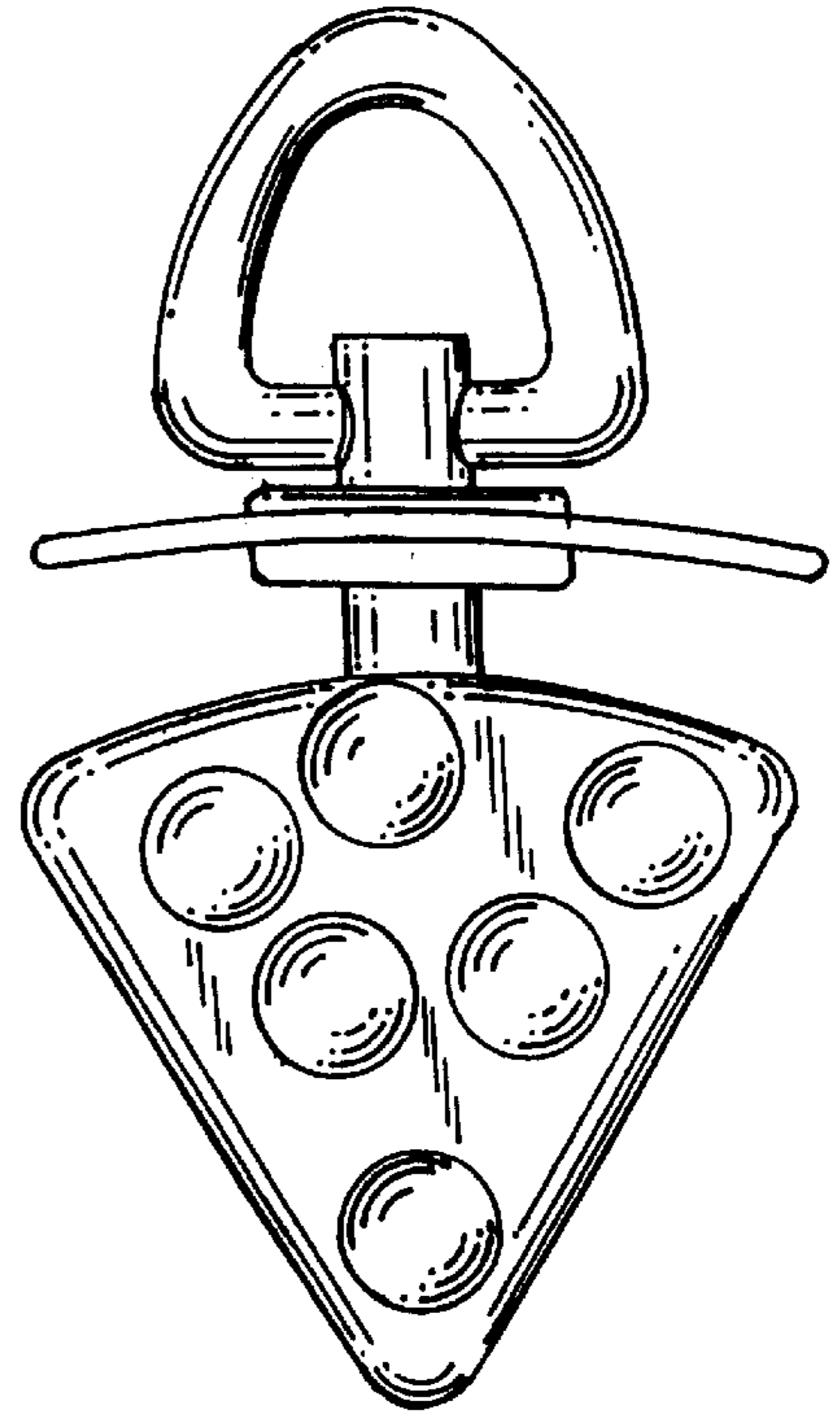
FIG. 1 is a perspective view;  
FIG. 2 is a top plan view;  
FIG. 3 is a rear elevational view;  
FIG. 4 is a left side view;  
FIG. 5 is a right side view;  
FIG. 6 is a front elevational view; and,  
FIG. 7 is a bottom plan view.

**1 Claim, 2 Drawing Sheets**

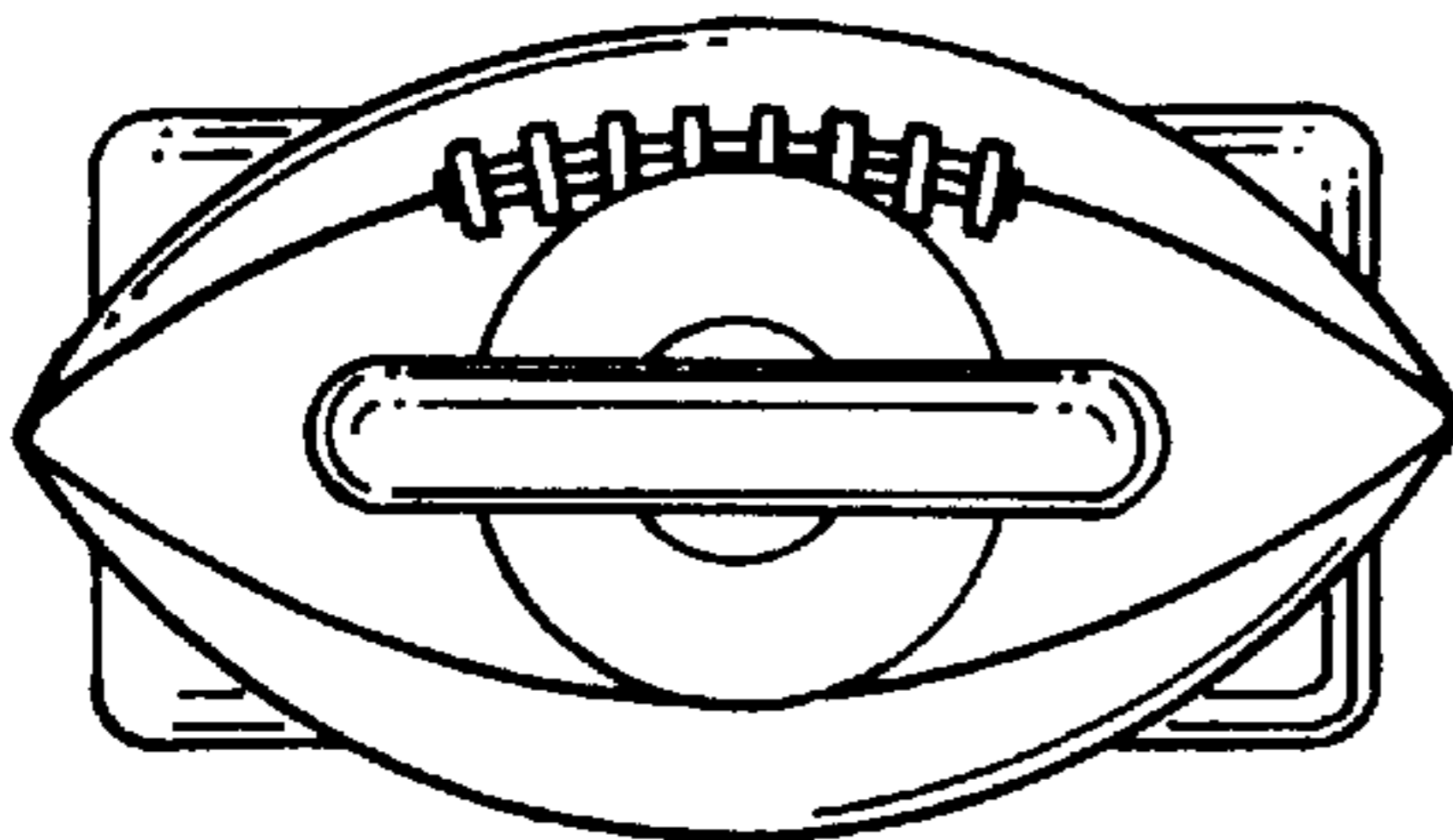




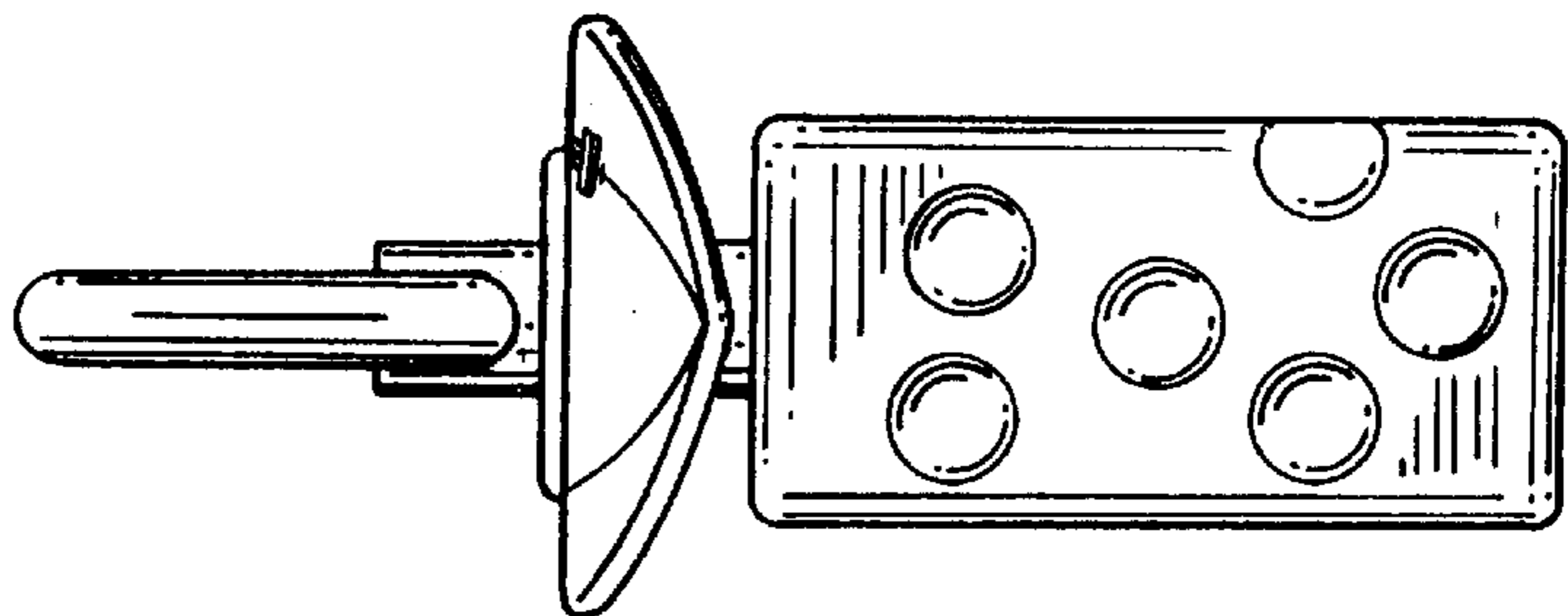
*Fig. 1*



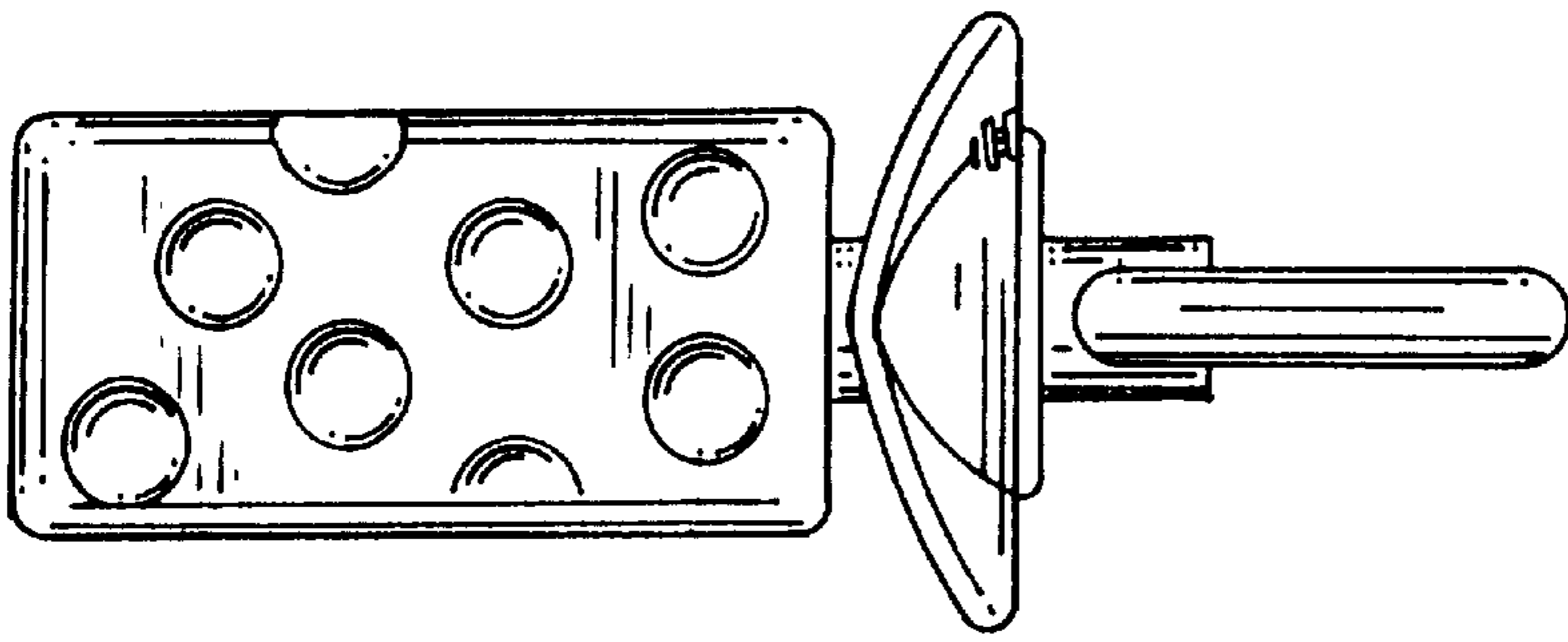
*Fig. 2*



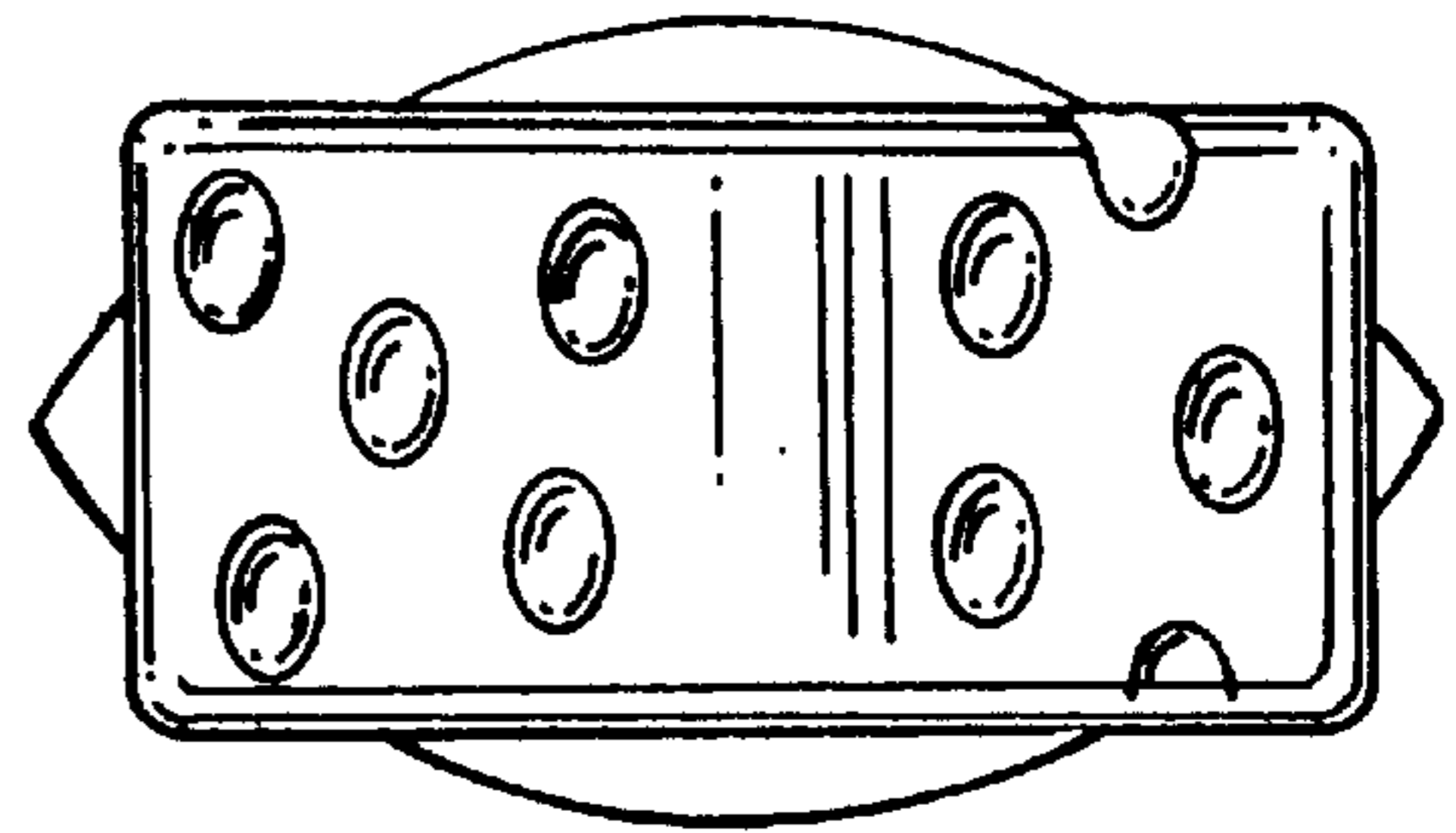
*Fig. 3*



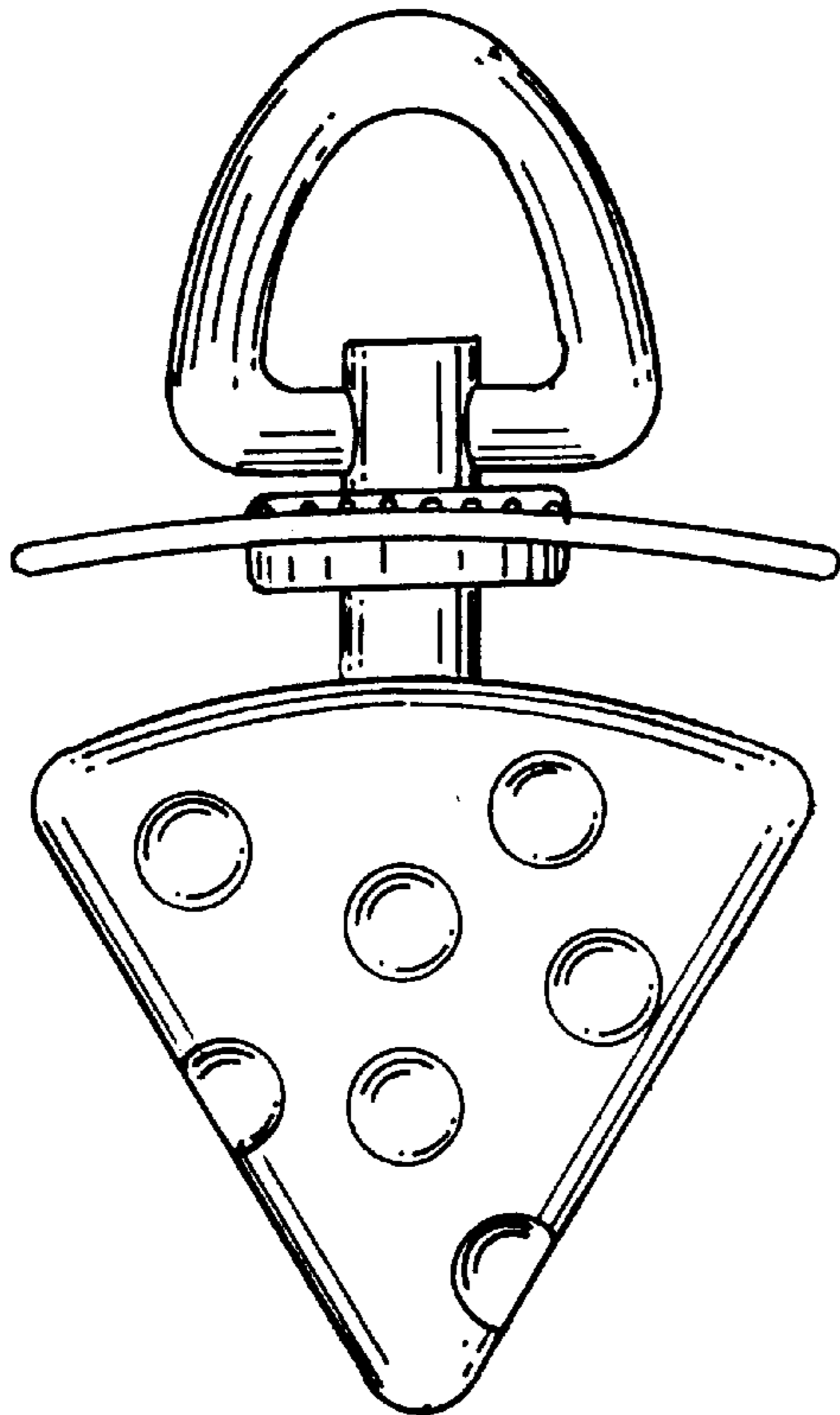
*Fig. 4*



*Fig. 5*



*Fig. 6*



*Fig. 7*