



US00D417276S

United States Patent [19] DeFonzo

[11] Patent Number: **Des. 417,276**

[45] Date of Patent: **** Nov. 30, 1999**

[54] **SURGICAL RETRACTOR**

[75] Inventor: **Stephan A. DeFonzo**, Bridgeport, Conn.

[73] Assignee: **United States Surgical Corporation**, Norwalk, Conn.

[**] Term: **14 Years**

[21] Appl. No.: **29/056,875**

[22] Filed: **Jul. 10, 1996**

[51] **LOC (6) Cl.** **24-02**

[52] **U.S. Cl.** **D24/135**

[58] **Field of Search** D24/135; 600/201, 600/210, 211, 214, 217, 231, 234

[56] **References Cited**

U.S. PATENT DOCUMENTS

D. 214,475 6/1969 Forster D24/135
3,509,873 5/1970 Karlin et al. 600/231 X

3,750,652 8/1973 Sherwin 600/217 X
5,025,779 6/1991 Bugge 600/217
5,503,617 4/1996 Jako 600/201

Primary Examiner—Louis S. Zarfaz

Assistant Examiner—Frank Martinez

[57] **CLAIM**

The ornamental design for a surgical retractor, as shown and described.

DESCRIPTION

FIG. 1 is a perspective view of a surgical retractor showing our new design.

FIG. 2 is a side elevational view thereof, the opposite side being a mirror image thereto;

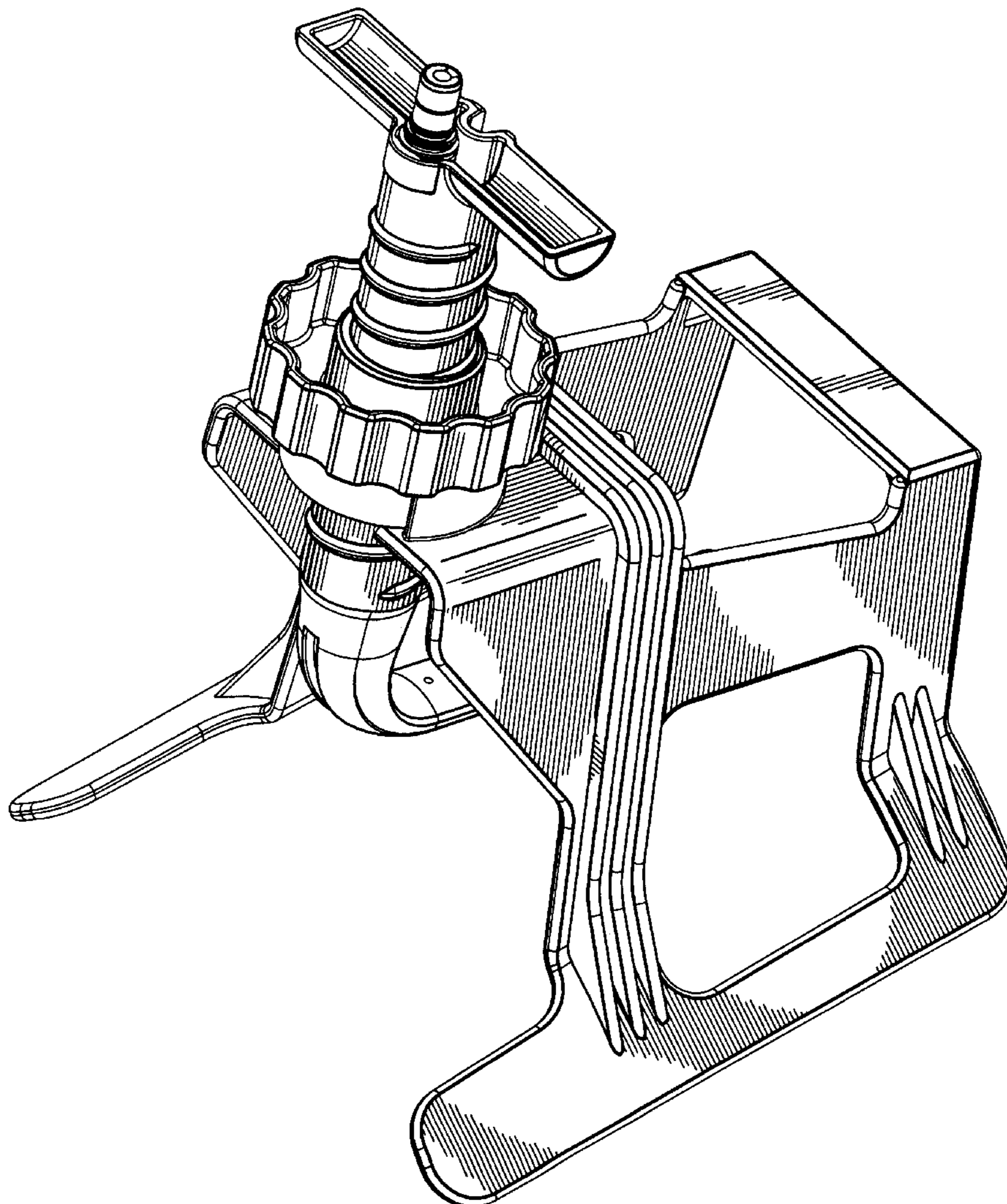
FIG. 3 is a front elevational view thereof;

FIG. 4 is a bottom plan view thereof;

FIG. 5 is a rear elevational view thereof; and,

FIG. 6 is a top plan view thereof.

1 Claim, 4 Drawing Sheets



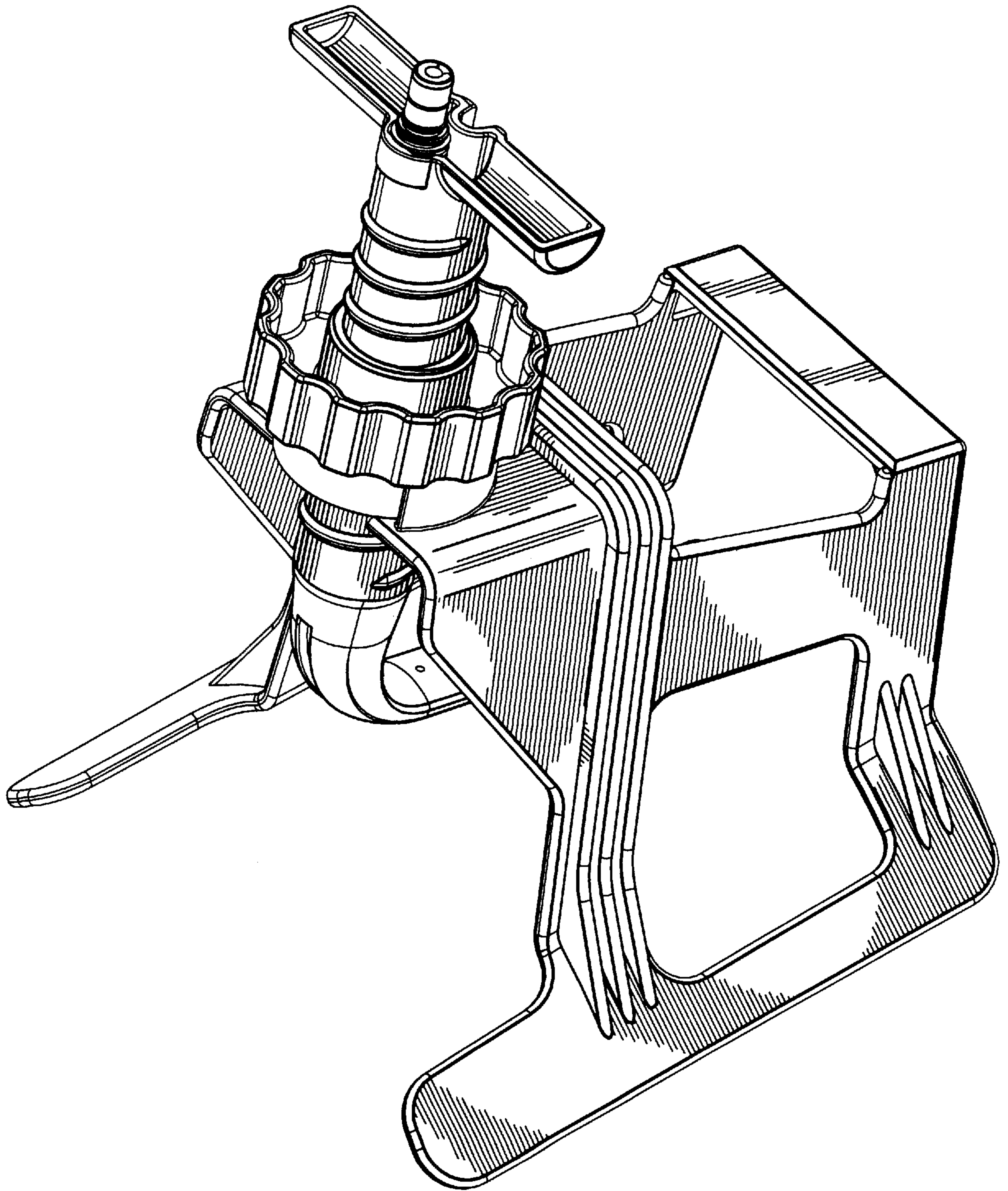


FIG. 1

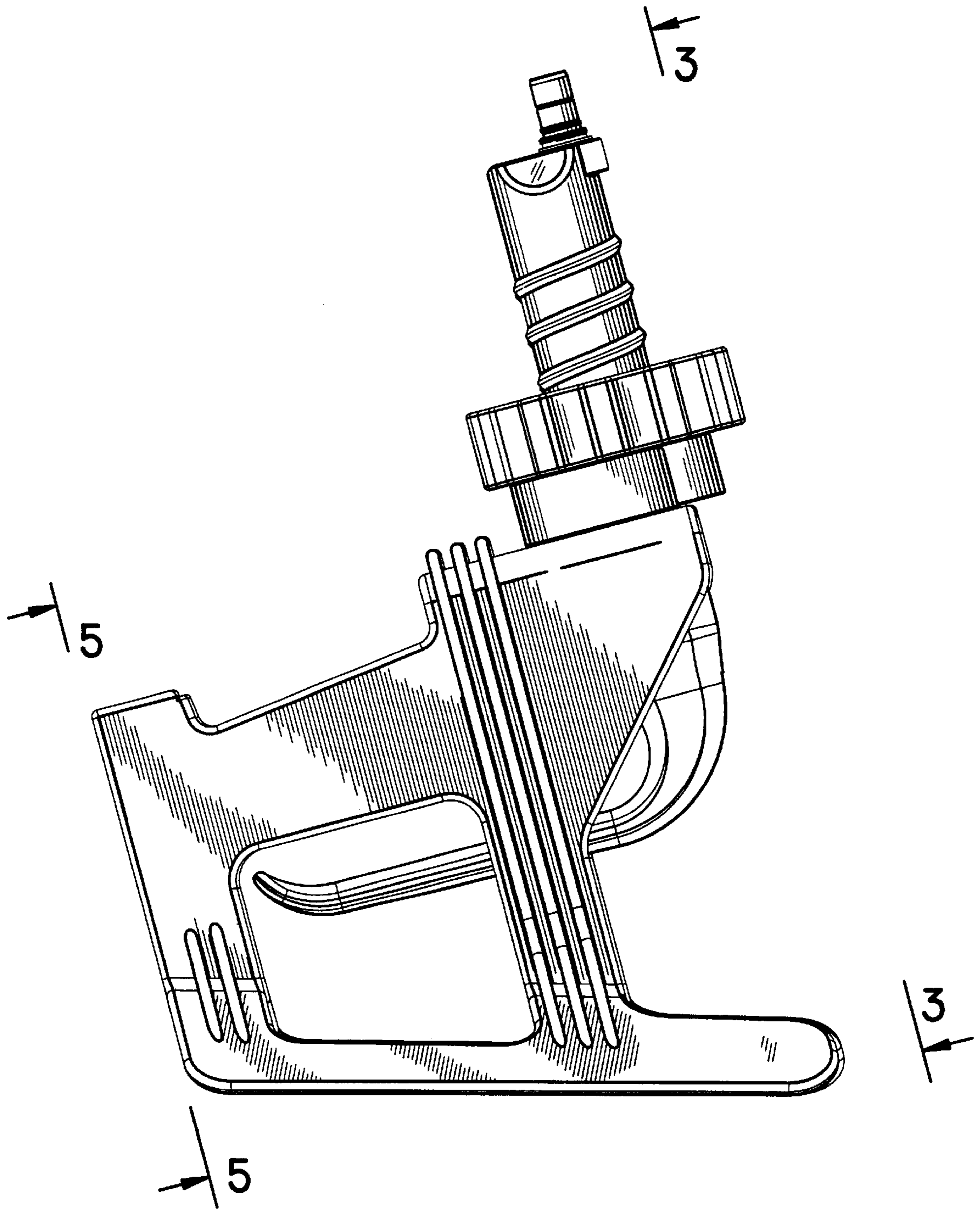


FIG. 2

FIG. 3

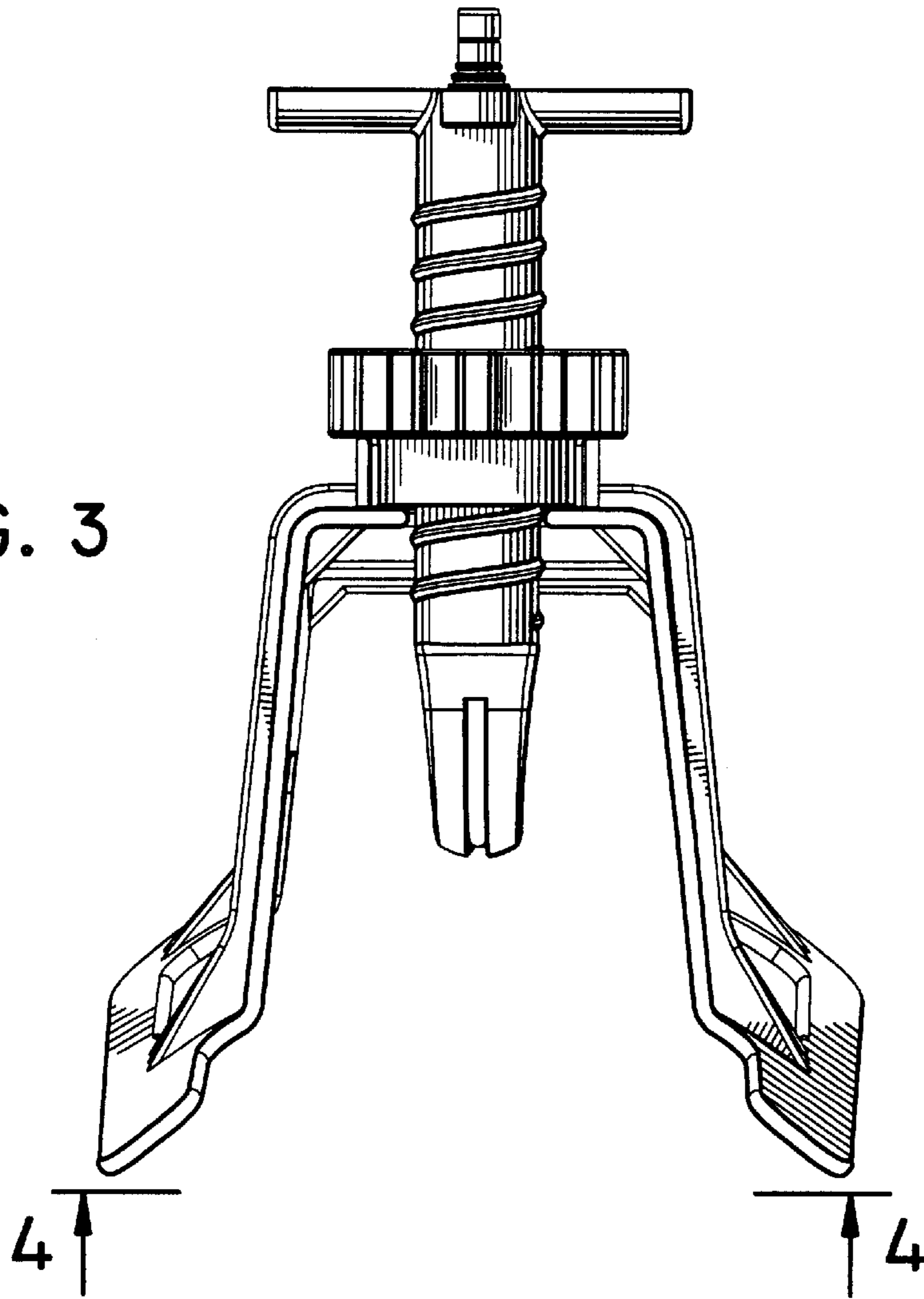
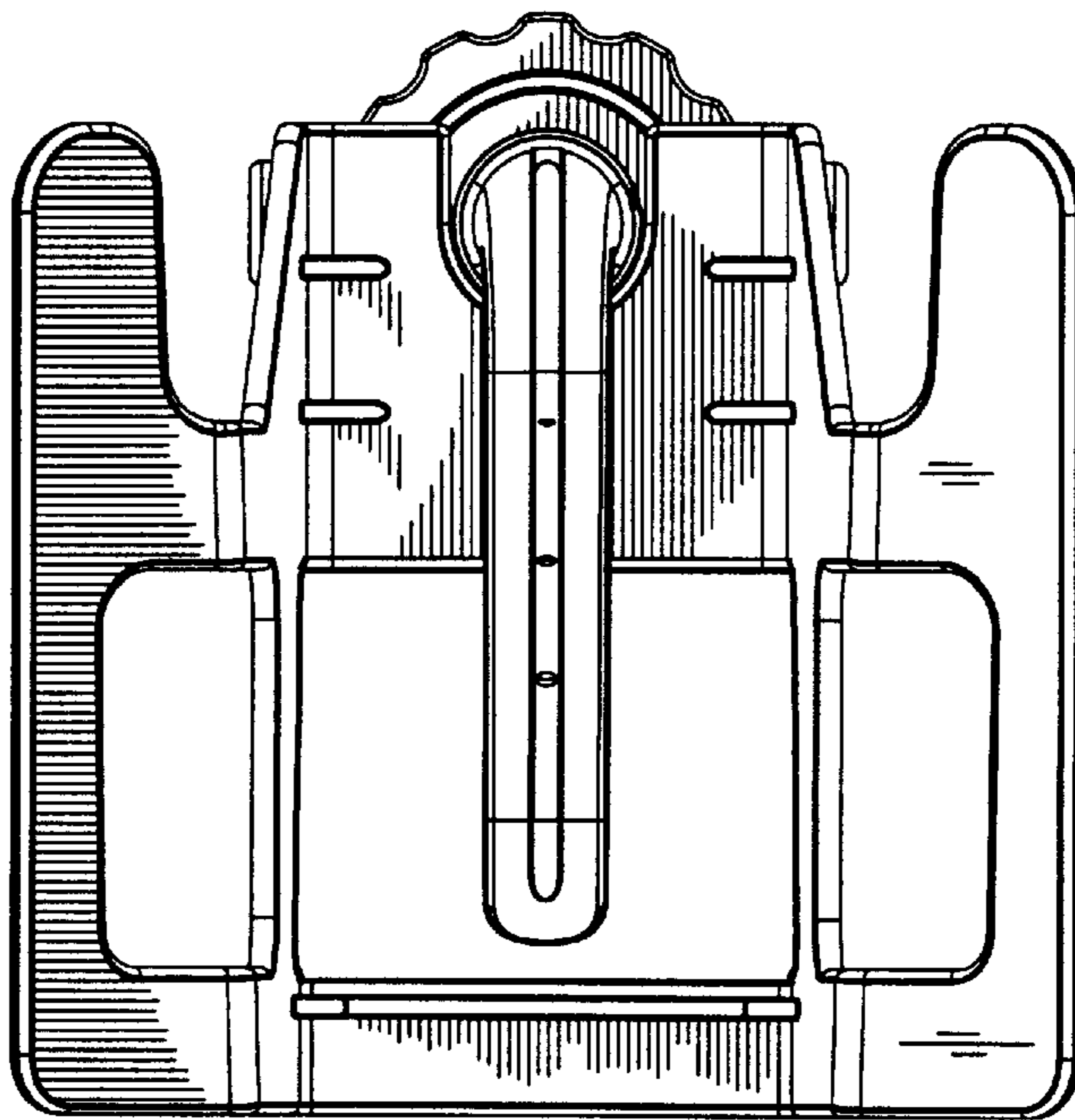


FIG. 4



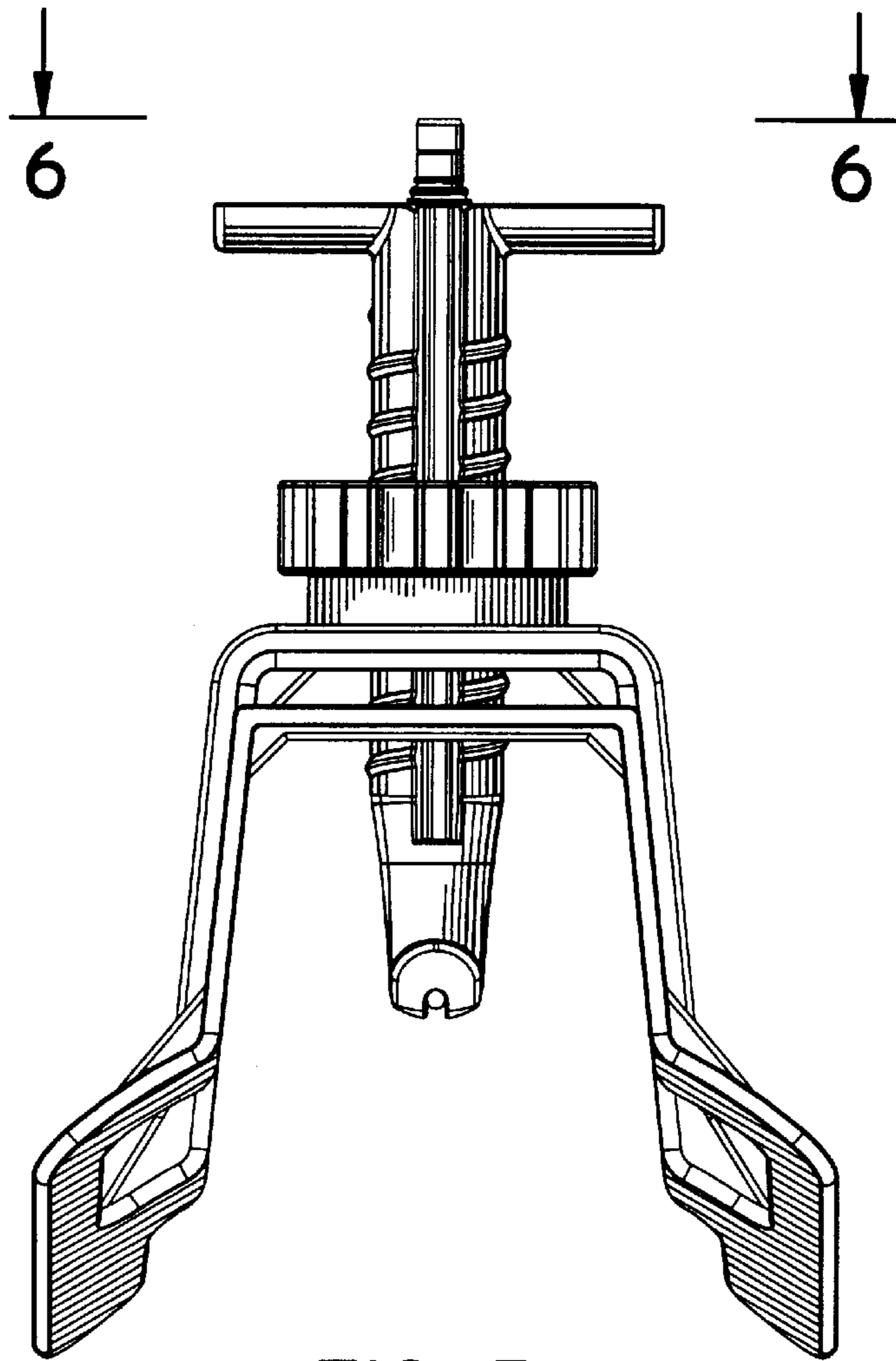


FIG. 5

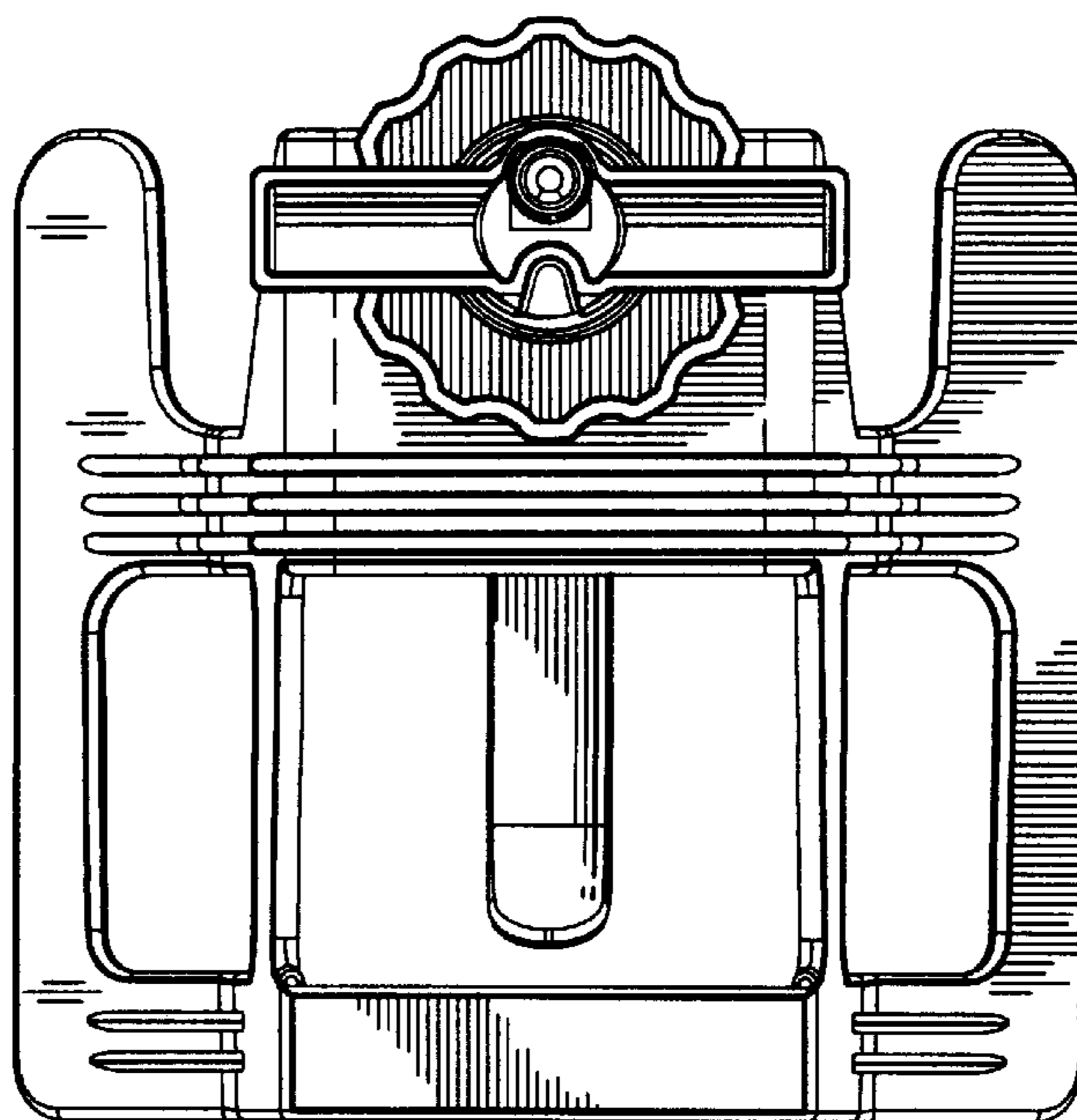


FIG. 6