



US00D417275S

# United States Patent [19] Conforti

[11] **Patent Number: Des. 417,275**

[45] **Date of Patent: \*\* Nov. 30, 1999**

[54] **SYRINGE CAP**

[75] Inventor: **Carl J. Conforti**, Tiverton, R.I.

[73] Assignee: **The First Years, Inc.**, Mission Viejo, Calif.

[\*\*] Term: **14 Years**

[21] Appl. No.: **29/090,605**

[22] Filed: **Jul. 13, 1998**

[51] **LOC (6) Cl. .... 24-02**

[52] **U.S. Cl. .... D24/130; D24/194; D24/196**

[58] **Field of Search .... D24/112, 113, D24/114, 130, 194, 196, 193, 195, 197; 606/234, 235, 236; 604/77**

[56] **References Cited**

**U.S. PATENT DOCUMENTS**

D. 372,089	7/1996	Sheu	.....	D24/114
D. 399,004	9/1998	Johansen et al.	.....	D24/193
4,127,126	11/1978	Schunk	.	
5,244,122	9/1993	Butts	.....	D24/114 X
5,554,116	9/1996	Fu-Hsiang	.....	604/77

**FOREIGN PATENT DOCUMENTS**

9112613 3/1992 Germany .

**OTHER PUBLICATIONS**

Packaging for "Honey 8" Medicine Dispenser (undated).

*Primary Examiner*—Louis S. Zarfes

*Assistant Examiner*—I. Simmons

*Attorney, Agent, or Firm*—Fish & Richardson P.C.

[57] **CLAIM**

The ornamental design for a syringe cap, as shown and described.

**DESCRIPTION**

FIG. 1 is a perspective view of a syringe cap embodying the new design.

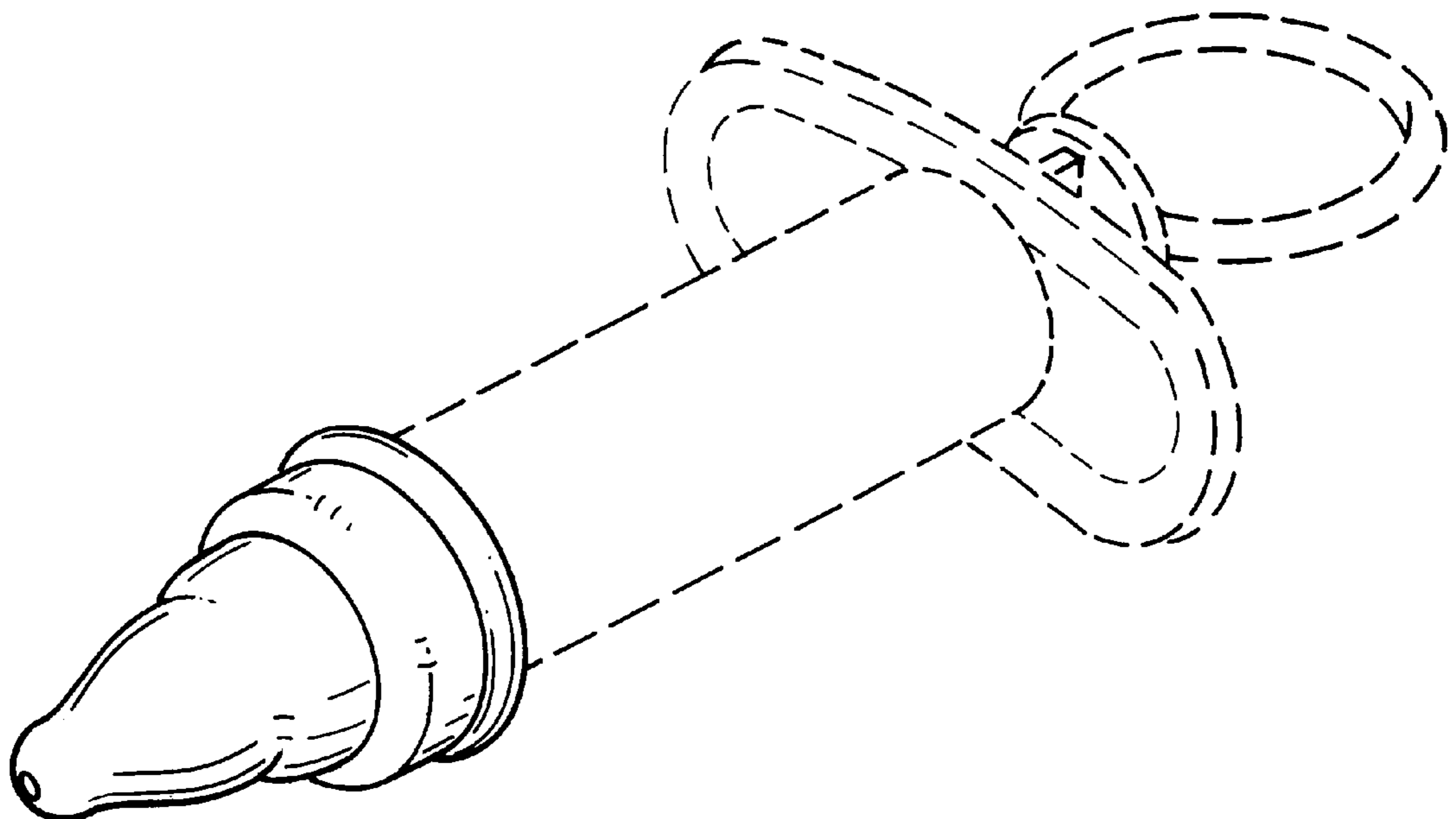
FIG. 2 is an end plan view of the exterior of the syringe cap shown in FIG. 1.

FIG. 3 is a plan view of the opposite end of the syringe cap shown in FIG. 2; and,

FIG. 4 is an elevational view of the right side of the syringe cap shown in FIG. 1, which is identical to the elevational views of the left side, front, and rear of the syringe cap shown in FIG. 1.

The broken line showings in FIGS. 1 and 3 are for illustrative purposes only and form no part of the claimed design.

**1 Claim, 1 Drawing Sheet**



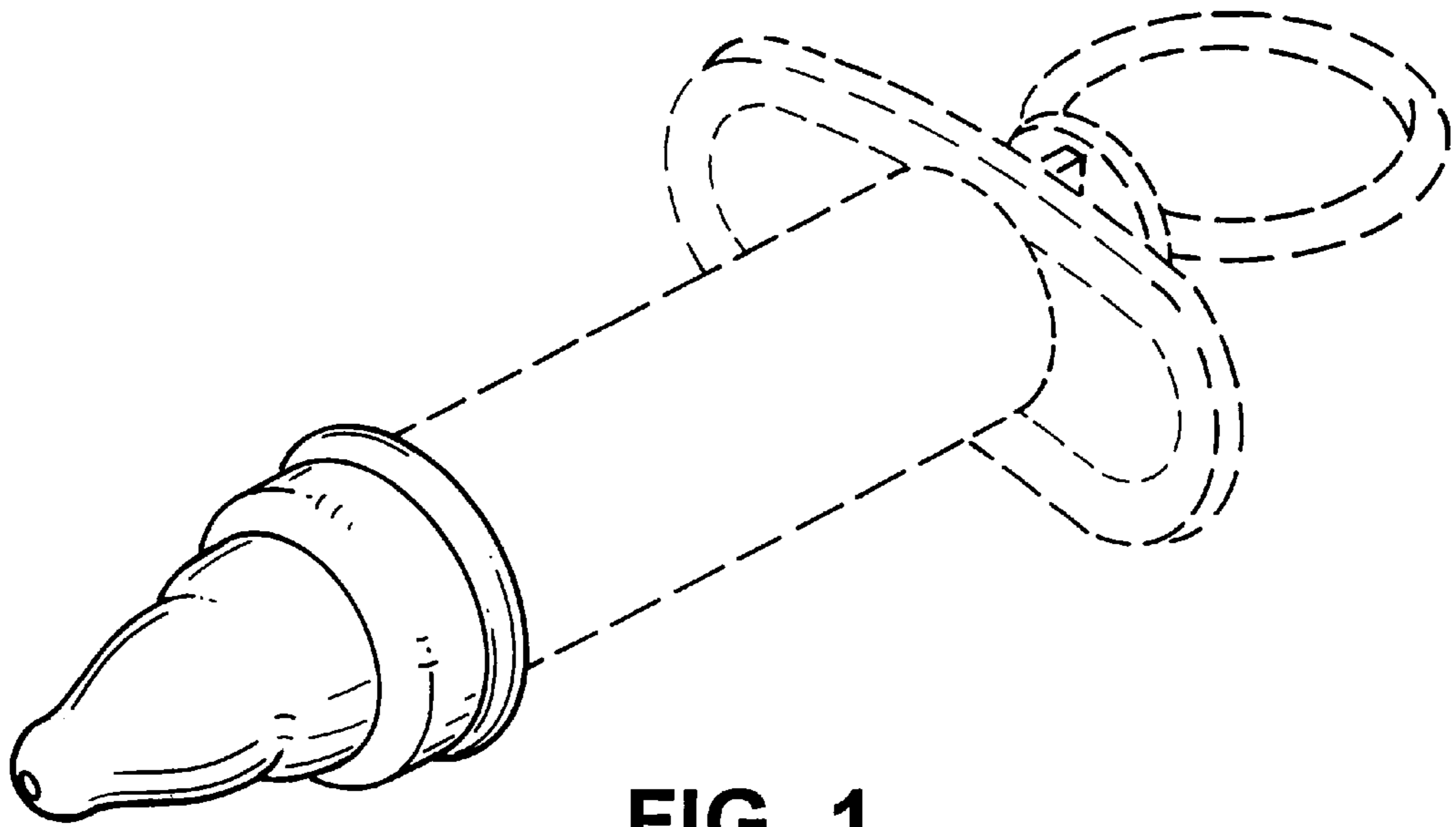


FIG. 1

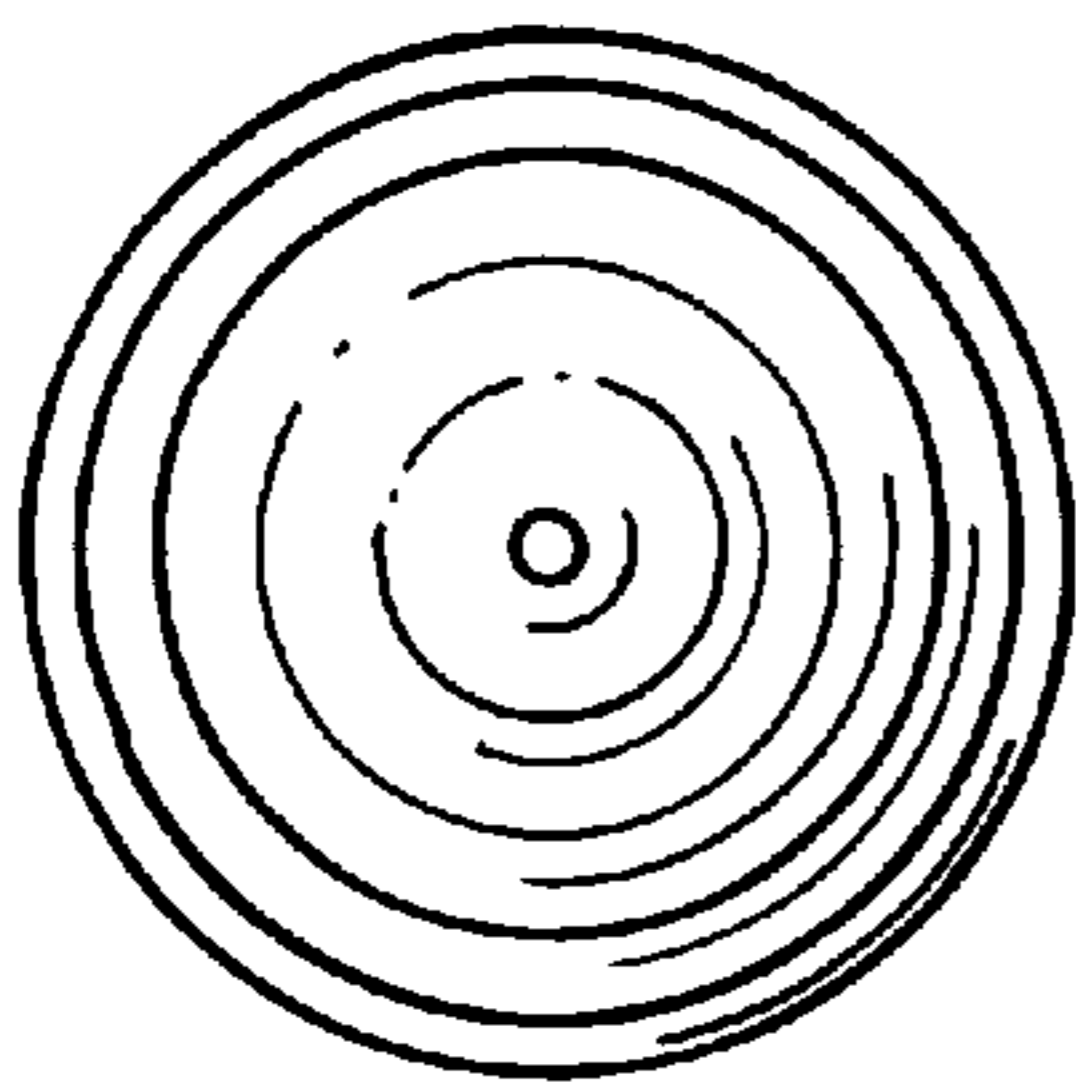


FIG. 2

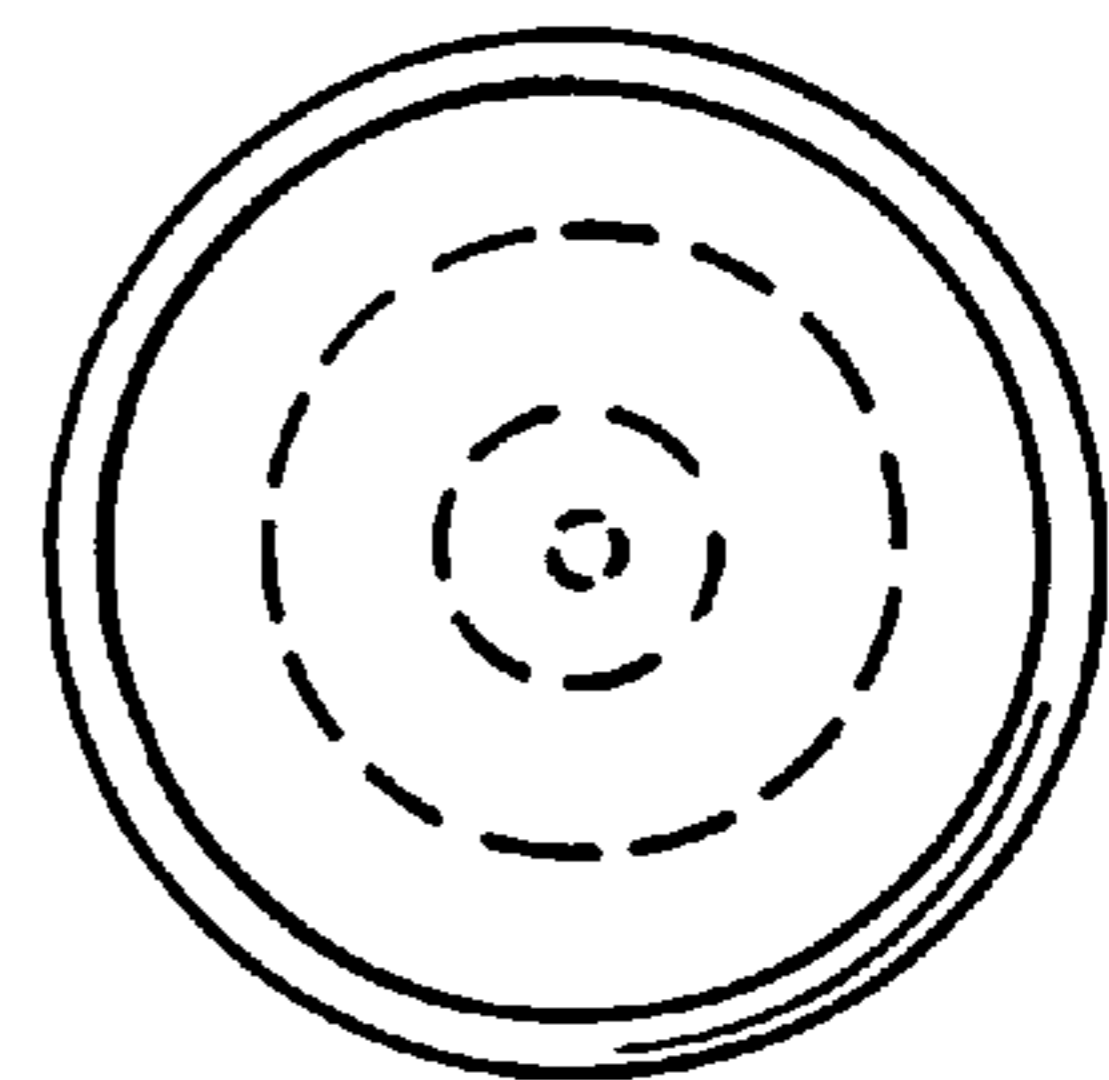


FIG. 3

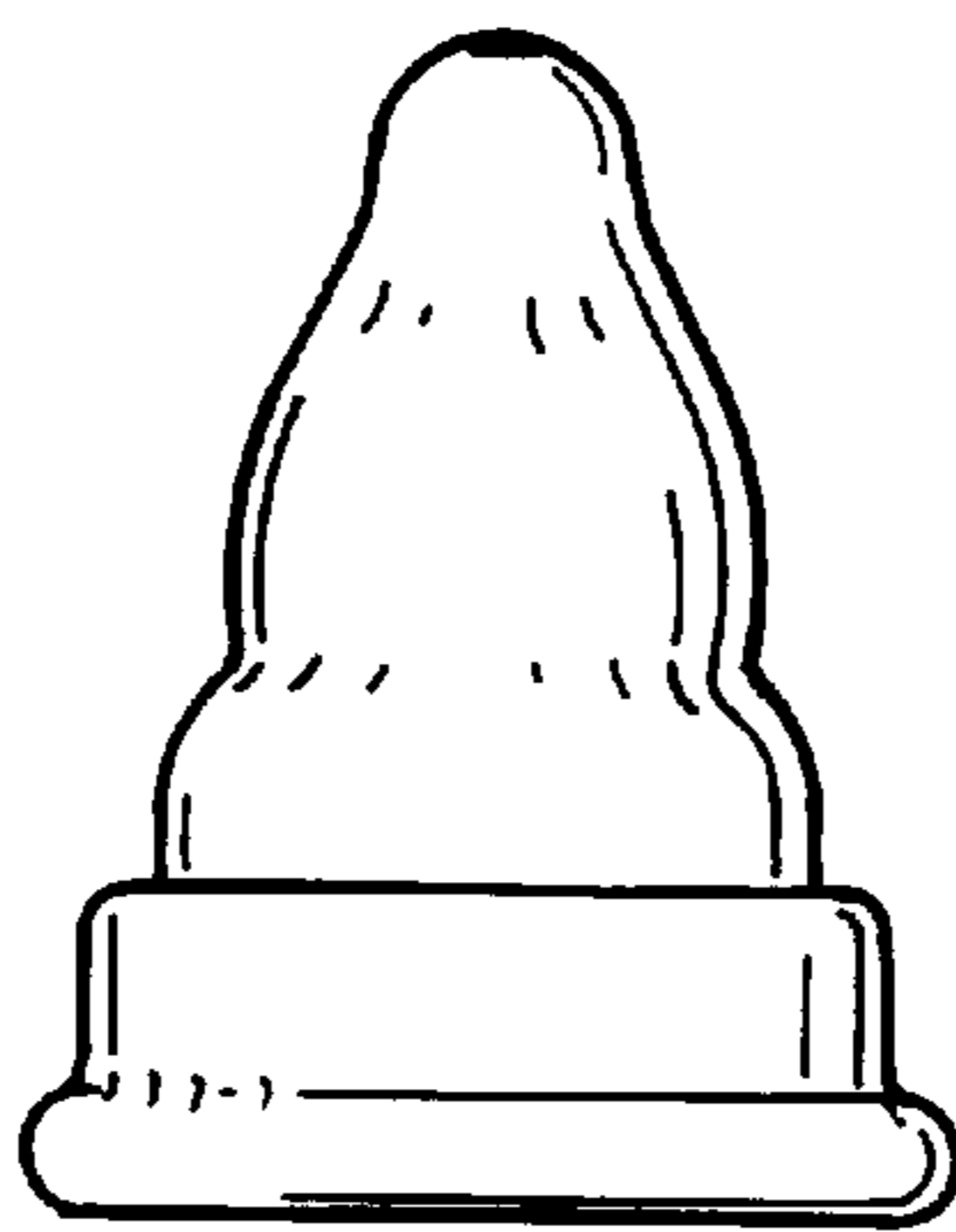


FIG. 4