



US00D417272S

United States Patent [19]

[11] Patent Number: Des. 417,272

Poynter et al.

[45] Date of Patent: ** Nov. 30, 1999

[54] COMPRESSIBLE SYRINGE

[75] Inventors: **Richard Q. Poynter**, Palm Beach Gardens; **Albert D. Bailey**, West Palm Beach, both of Fla.

[73] Assignee: **Vital Signs Inc.**, Totowa, N.J.

[**] Term: **14 Years**

[21] Appl. No.: **29/075,316**

[22] Filed: **Aug. 18, 1997**

[51] LOC (6) Cl. **29-02**

[52] U.S. Cl. **D24/115**

[58] Field of Search D24/115, 117, D24/122; 604/212, 216, 187, 35, 73, 133, 275, 316; 202/92, 206, 215; D9/302, 305, 306, 416, 417

[56] References Cited

U.S. PATENT DOCUMENTS

| | | | | |
|------------|---------|------------------|-------|---------|
| D. 238,710 | 2/1976 | Cuceamindlin | | D24/115 |
| D. 241,884 | 10/1976 | Gross | | D24/115 |
| D. 246,321 | 11/1977 | Lofman | | D24/115 |
| D. 269,706 | 7/1983 | Green | | D24/115 |
| D. 288,006 | 1/1987 | Bergstrom et al. | | D24/115 |
| D. 335,924 | 5/1993 | Nilsson | | D24/122 |

| | | | | |
|------------|---------|--------------------|-------|-----------|
| D. 336,828 | 6/1993 | Mikulee et al. | | D24/115 X |
| D. 344,132 | 2/1994 | Schneberger et al. | | D24/115 X |
| 2,911,972 | 11/1959 | Elinger | . | |
| 3,172,577 | 3/1965 | Hartung | . | |
| 3,473,524 | 10/1969 | Drewe | . | |
| 3,802,435 | 4/1974 | Classen | | 604/212 |
| 4,254,769 | 3/1981 | Sneider | . | |
| 4,411,656 | 10/1983 | Cornett | | 604/212 |
| 4,753,638 | 6/1988 | Peters | | 604/212 |
| 5,242,422 | 9/1993 | Schneberger et al. | | 604/216 |

Primary Examiner—Susan J. Lucas
Assistant Examiner—Cynthia E. Ramirez
Attorney, Agent, or Firm—R. Gale Rhodes, Jr.

[57] CLAIM

We claim the ornamental design for the compressible syringe, as shown and described.

DESCRIPTION

FIG. 1 is a front elevational view of the compressible syringe, the rear elevational view is a mirror image of the front elevational view;
FIG. 2 is a top view thereof;
FIG. 3 is a left side elevational view thereof;
FIG. 4 is a right side elevational view thereof; and,
FIG. 5 is a bottom view thereof.

1 Claim, 1 Drawing Sheet

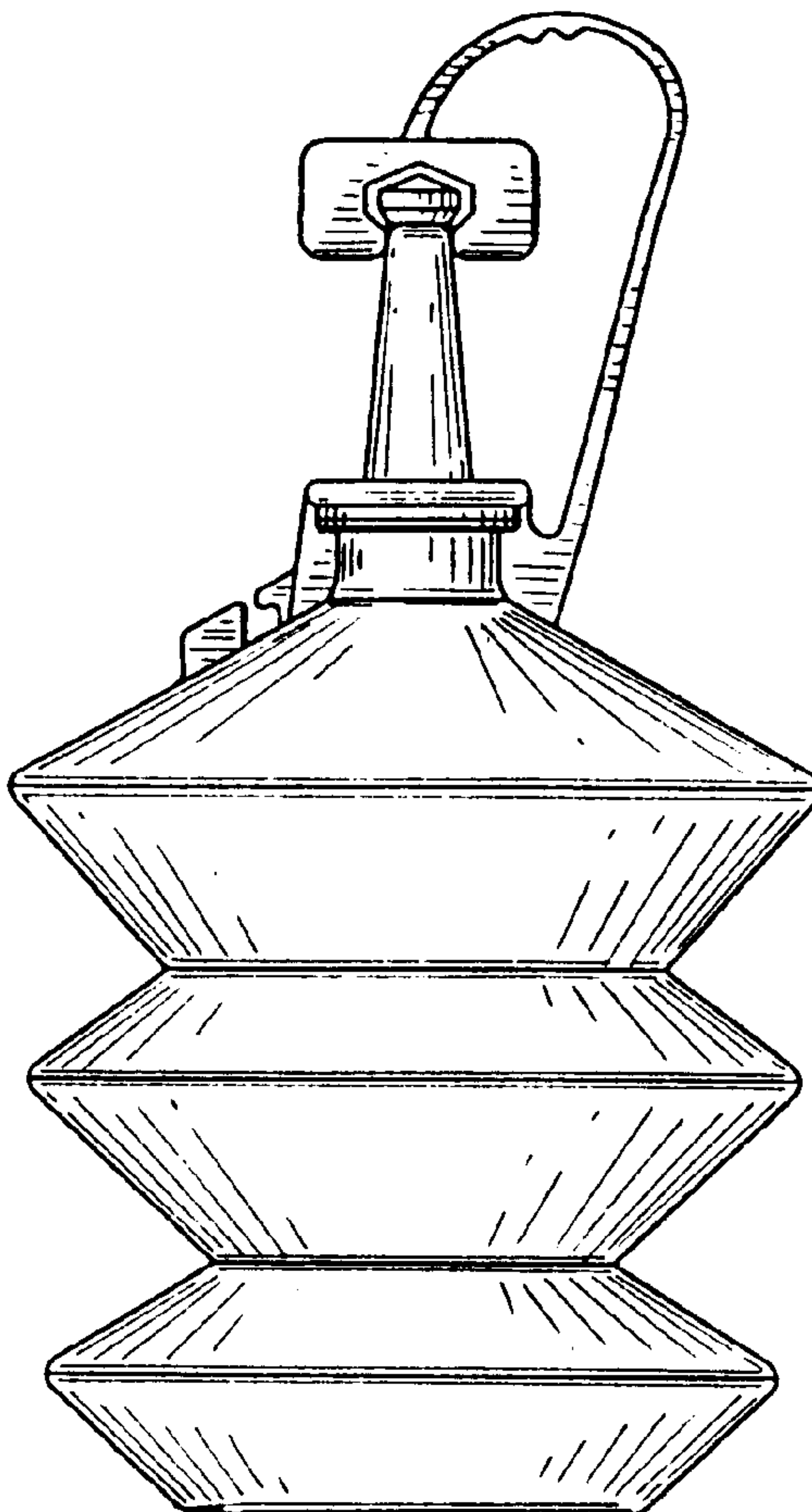


FIG. 1

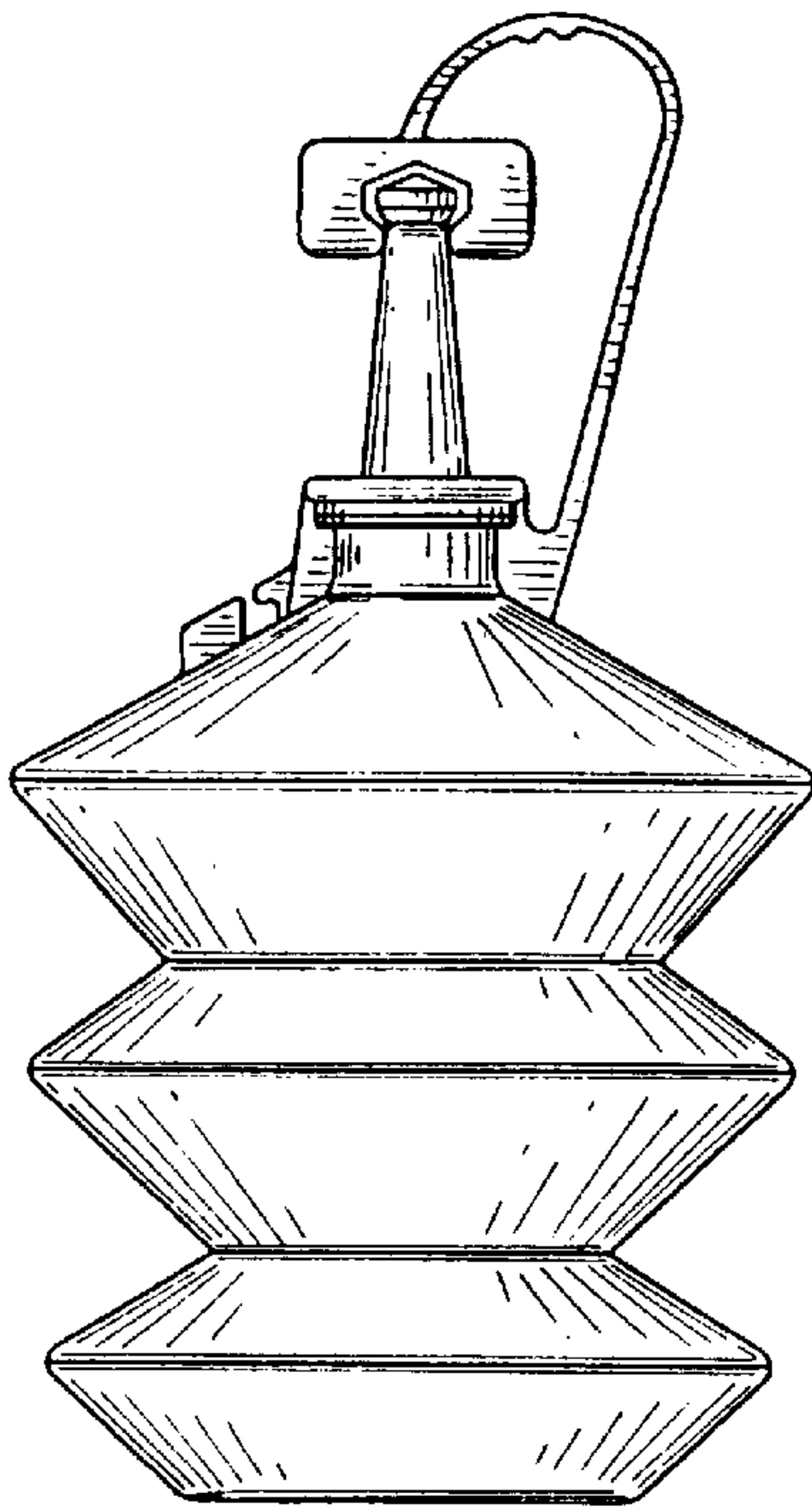


FIG. 2

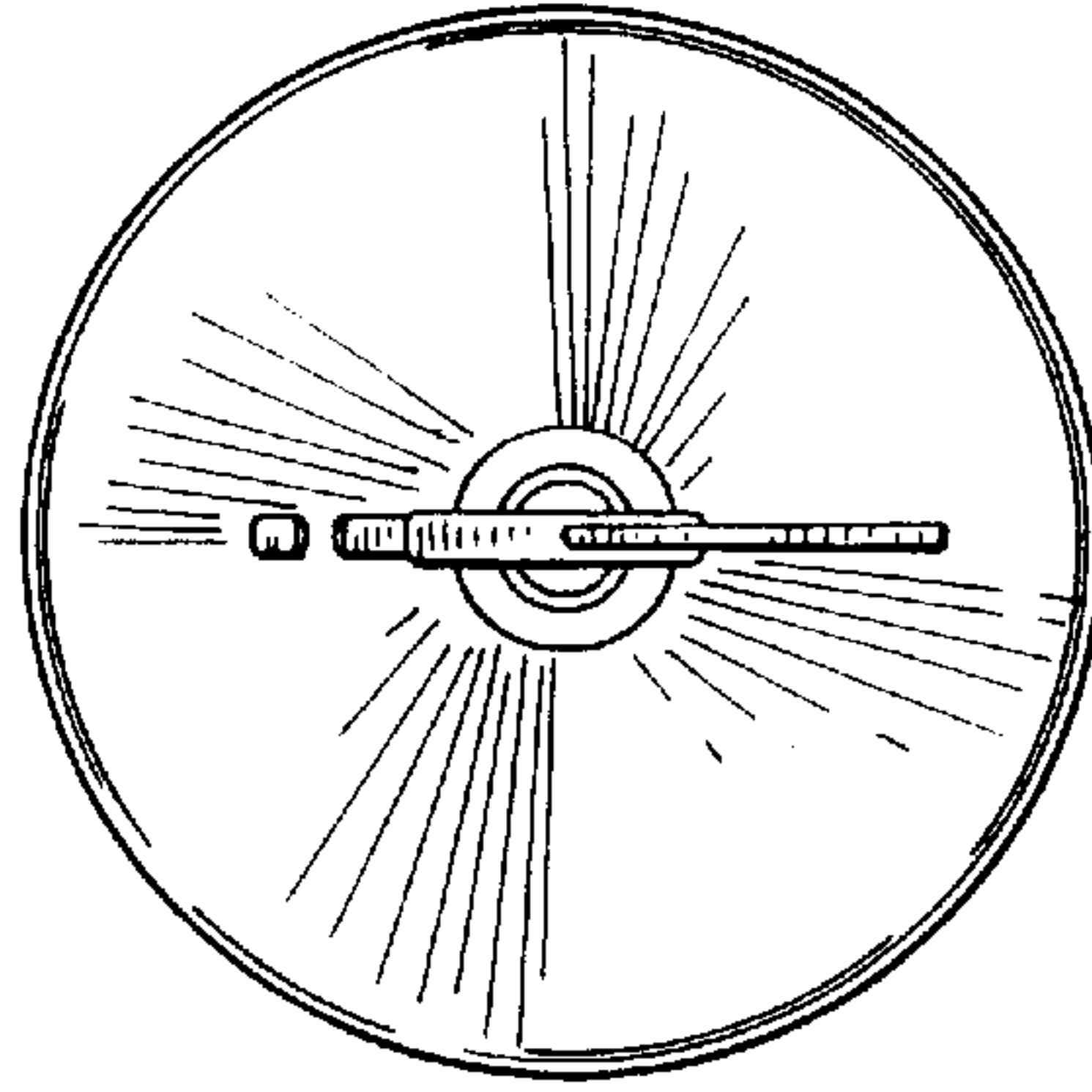


FIG. 5

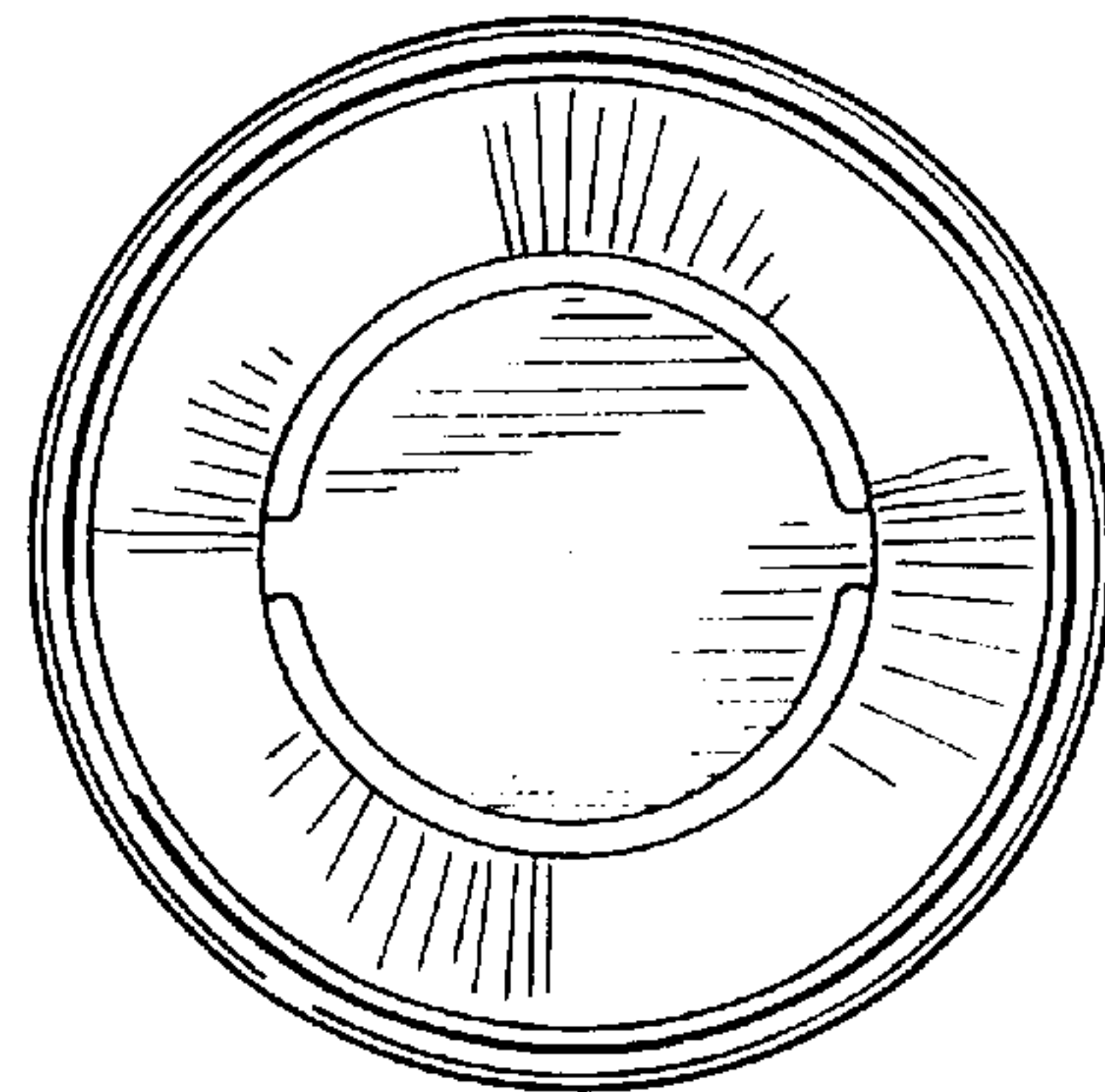


FIG. 3

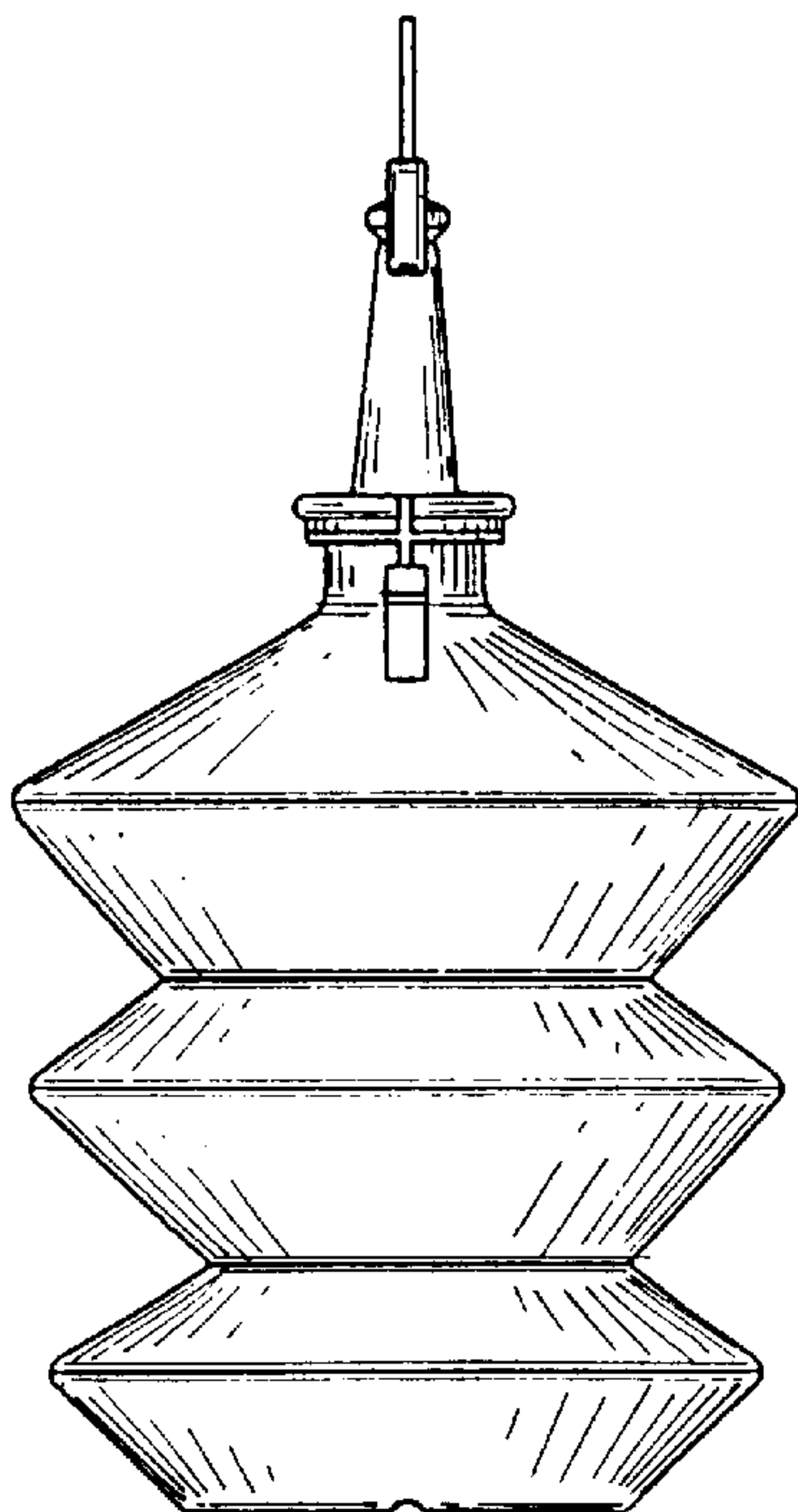


FIG. 4

