



US00D417269S

United States Patent [19]

[11] **Patent Number: Des. 417,269**

Thomas, Jr.

[45] **Date of Patent: ** Nov. 30, 1999**

[54] **COMBINED MOTOR HOUSING, SWITCH HOUSING, BLADE IRONS AND LIGHT FIXTURE UNIT FOR A CEILING FAN**

Primary Examiner—Lisa Lichtenstein
Attorney, Agent, or Firm—Garrison, Morris & Haight, PLLC

[75] Inventor: **James C. Thomas, Jr.**, Memphis, Tenn.

[57] CLAIM

[73] Assignee: **Hunter Fan Company**, Memphis, Tenn.

The ornamental design for a combined motor housing, switch housing, blade irons and light fixture unit for a ceiling fan, as shown and described.

[**] Term: **14 Years**

DESCRIPTION

[21] Appl. No.: **29/096,016**

FIG. 1 is a perspective view of a combined motor housing, switch housing, blade irons and light fixture unit for a ceiling fan showing my new design;

[22] Filed: **Nov. 3, 1998**

FIG. 2 is a perspective view of the design shown in FIG. 1 with the environmental structure removed therefrom;

[51] **LOC (6) Cl. 23-04**

FIG. 3 is a front view of FIG. 2 ;

[52] **U.S. Cl. D23/411; D23/377; D23/379; D26/59**

FIG. 4 is a right-side view of FIG. 2 ;

[58] **Field of Search D23/377, 379, D23/385, 411; D26/59, 51, 81-86, 88, 72, 80; 392/364; 362/96; 416/5**

FIG. 5 is a rear view of FIG. 2 ;

[56] References Cited

FIG. 6 is a left-side view of FIG. 2 ;

U.S. PATENT DOCUMENTS

FIG. 7 is a top view of FIG. 2 ; and,

D. 384,737 10/1997 Gee, II D23/377

FIG. 8 is a bottom view of FIG. 2 .

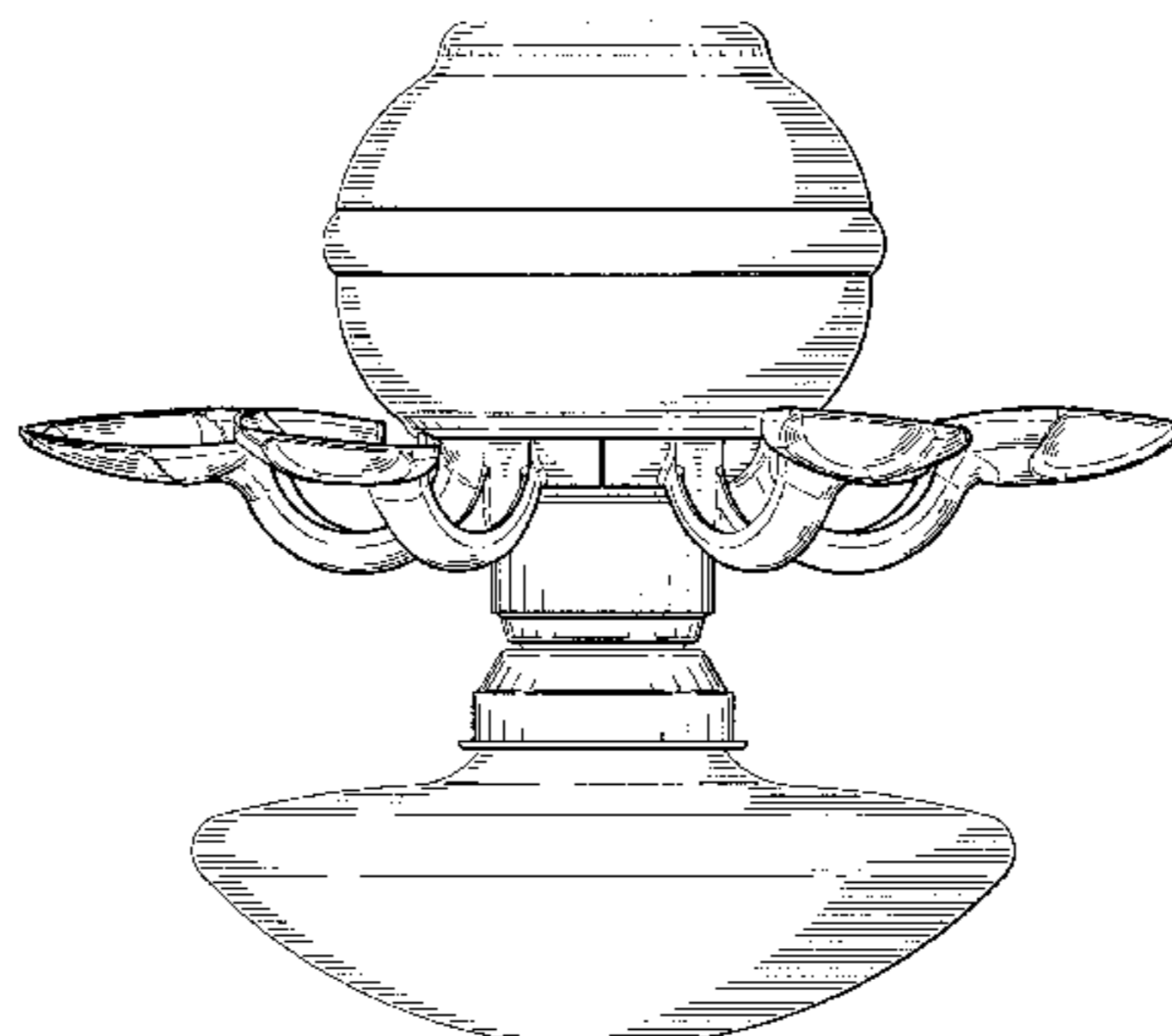
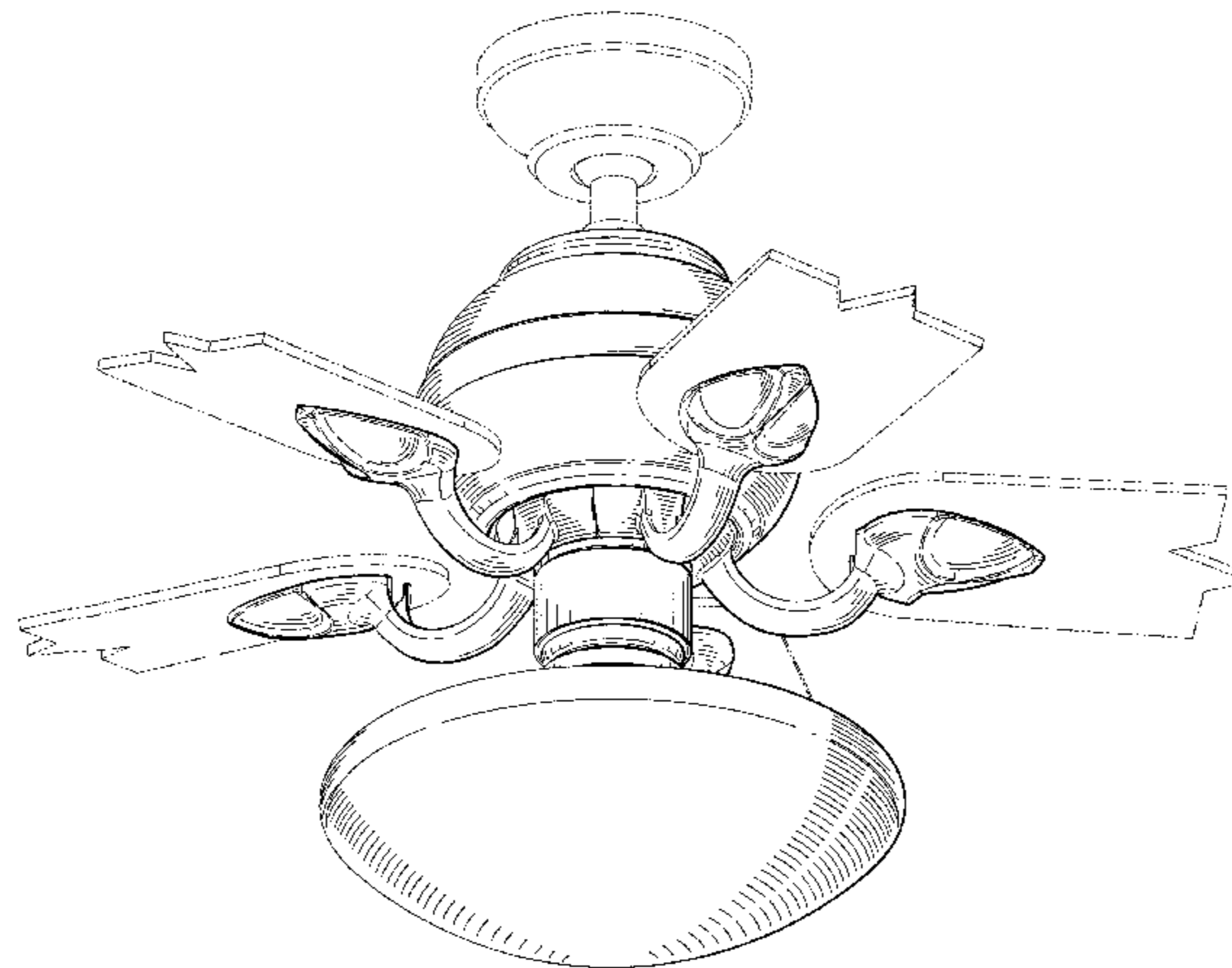
D. 407,154 3/1999 Thomas D23/377

OTHER PUBLICATIONS

James Thomas, pending U.S. design patent application S/N 29/087,978 entitled "Combined Motor Housing, Blade Irons and Light Fixture Unit For A Ceiling Fan," filed May 13, 1998, in its entirety.

The broken line showing of environmental structure shown in FIG. 1 is for illustrative purposes only and forms no part of the claimed design.

1 Claim, 8 Drawing Sheets



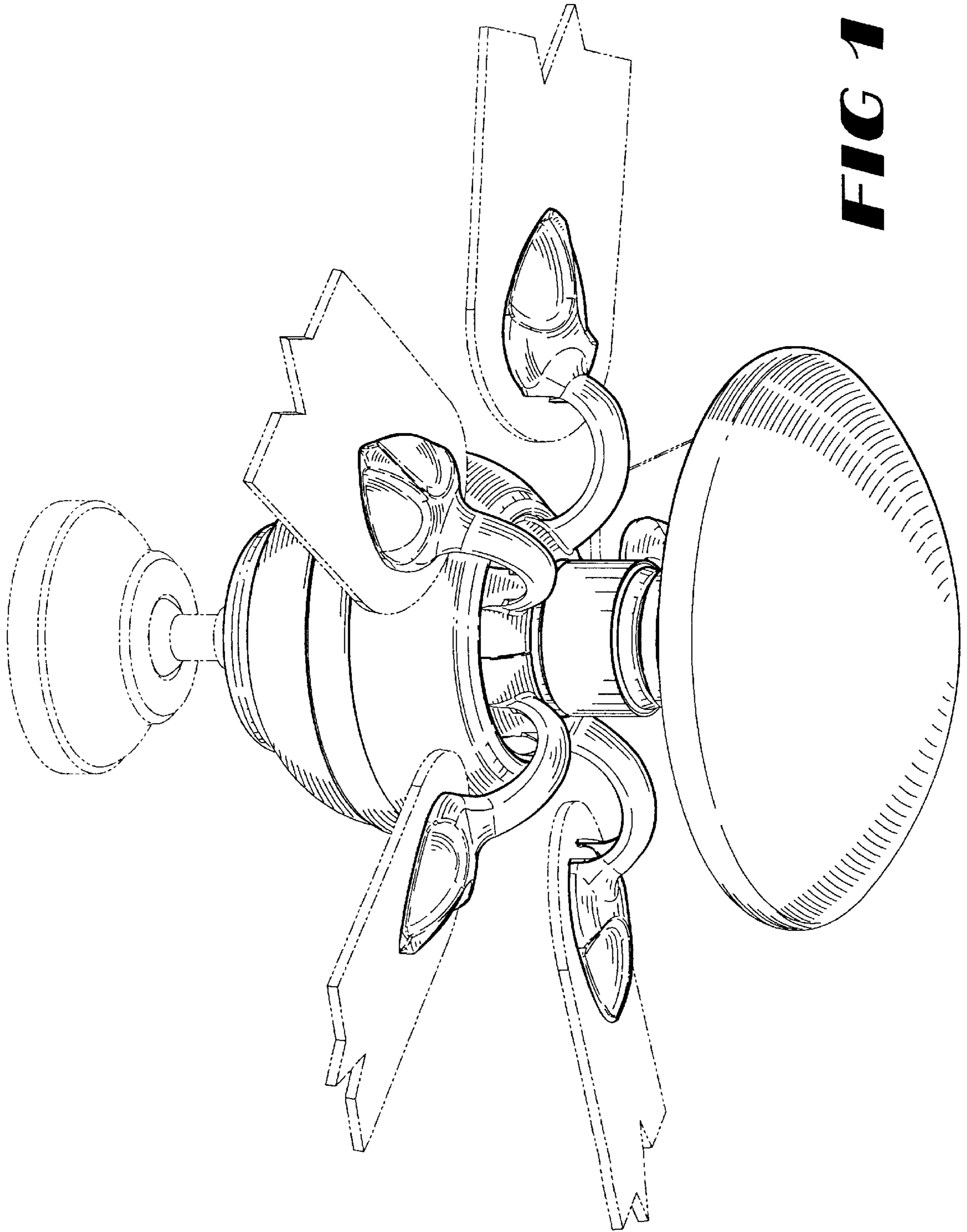


FIG 1

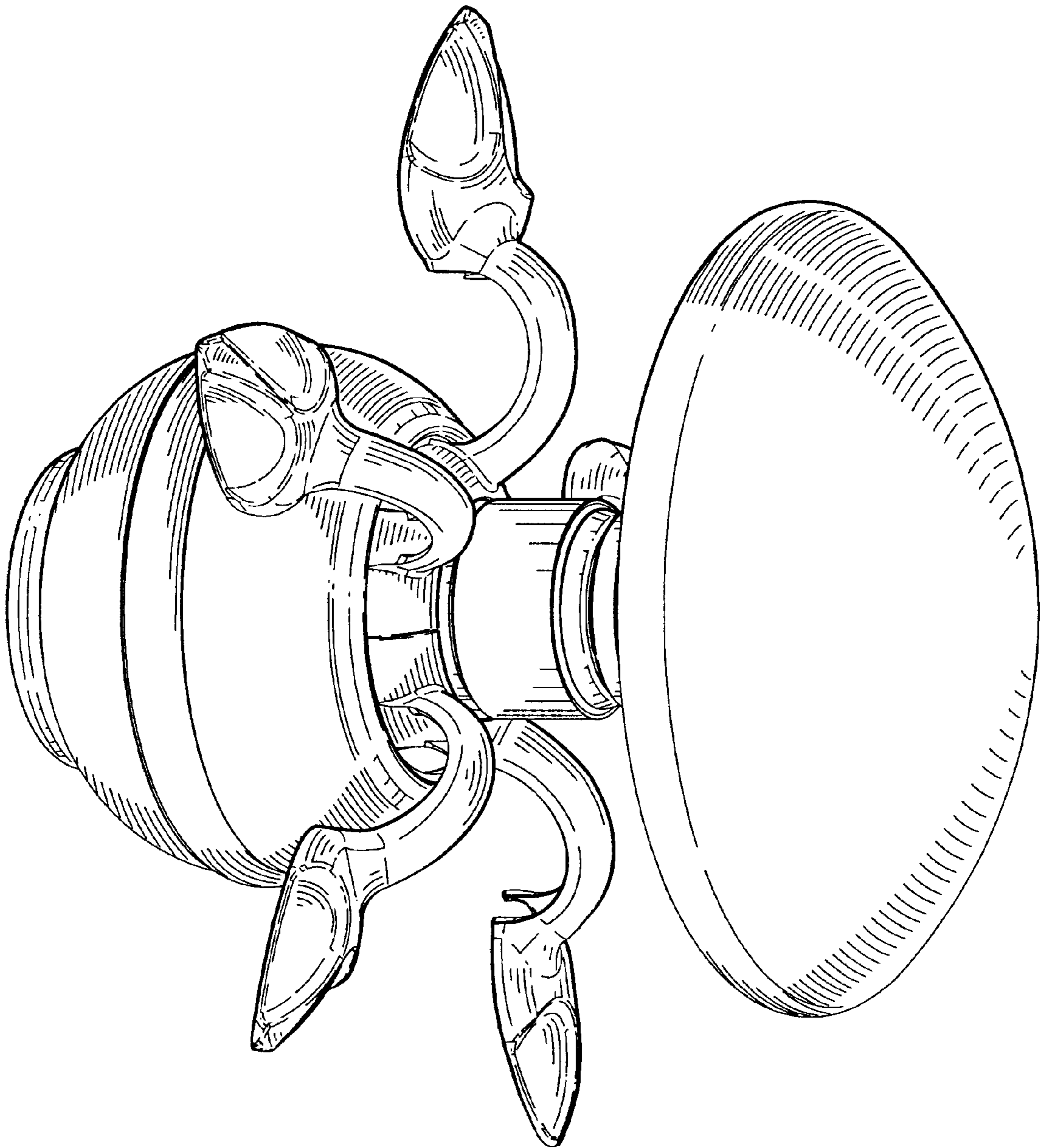


FIG 2

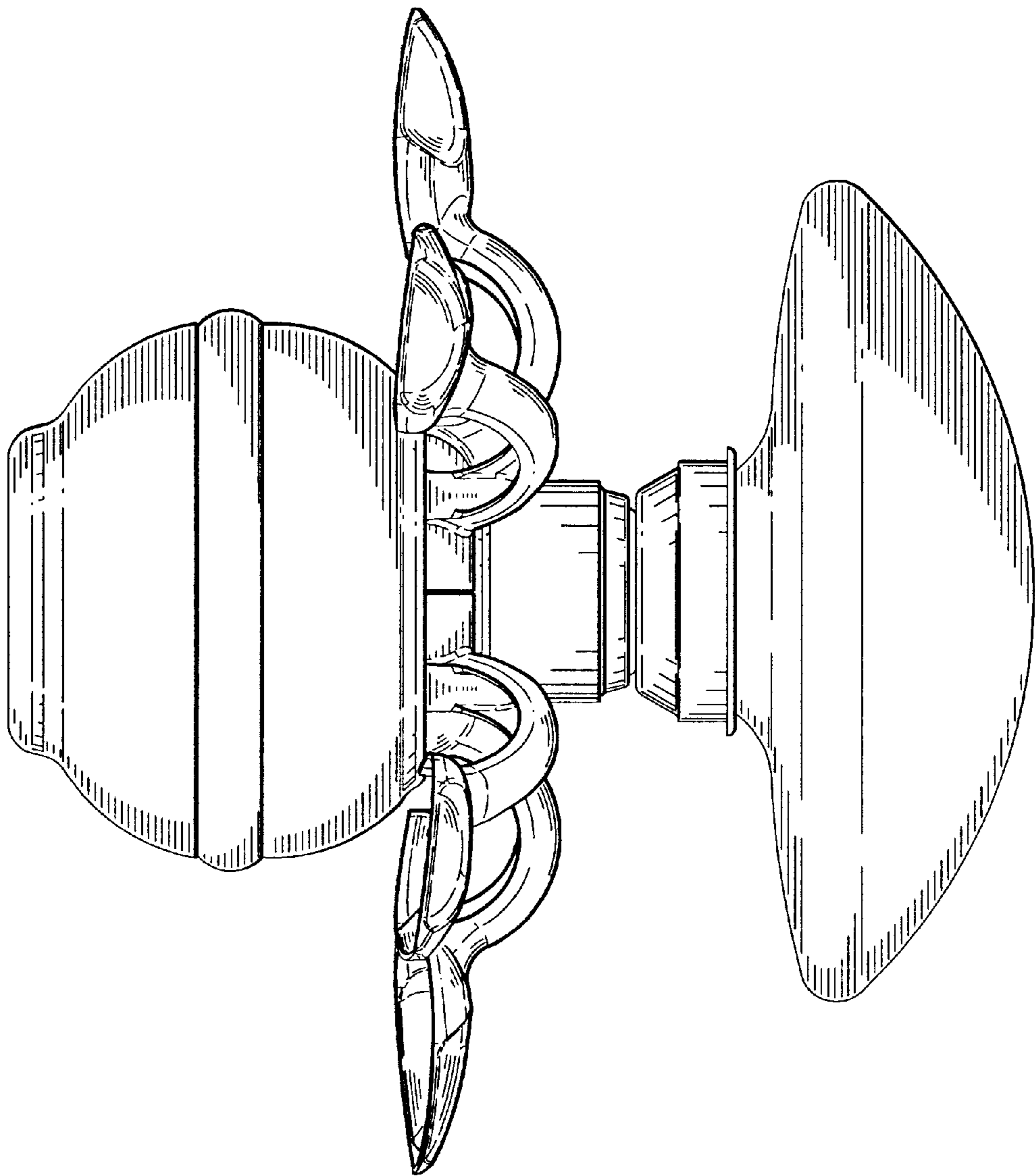


FIG 3

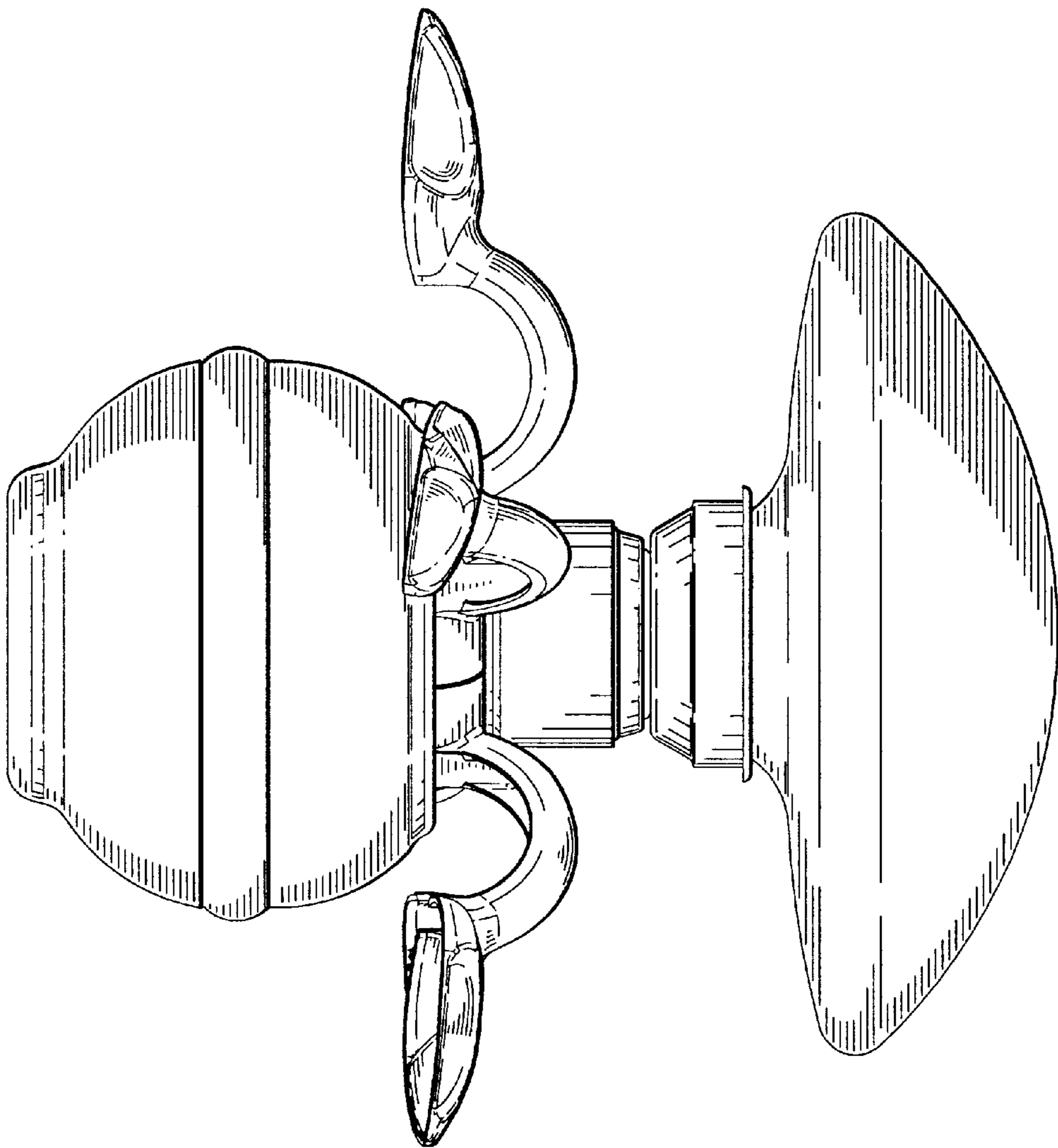


FIG 4

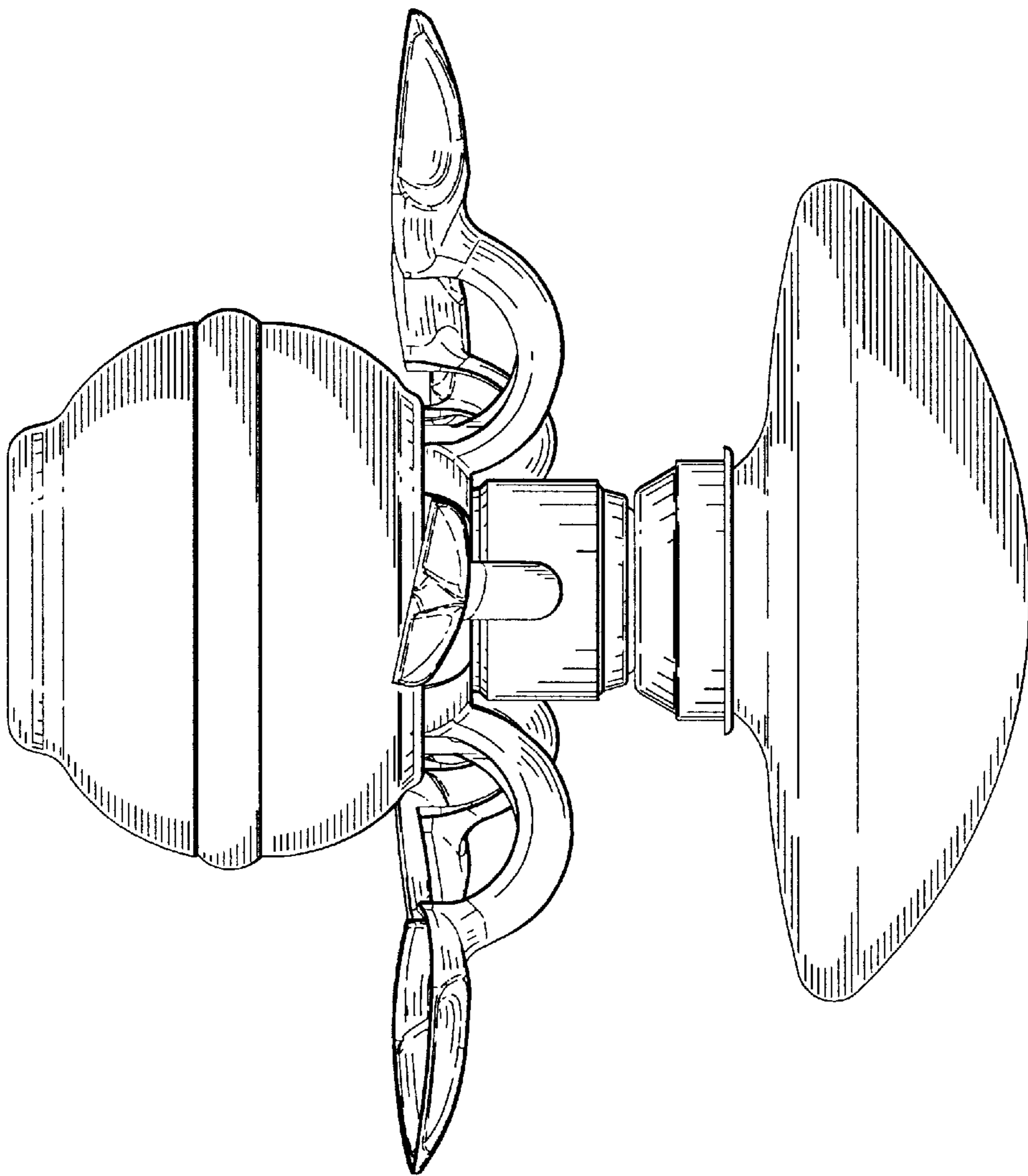


FIG 5

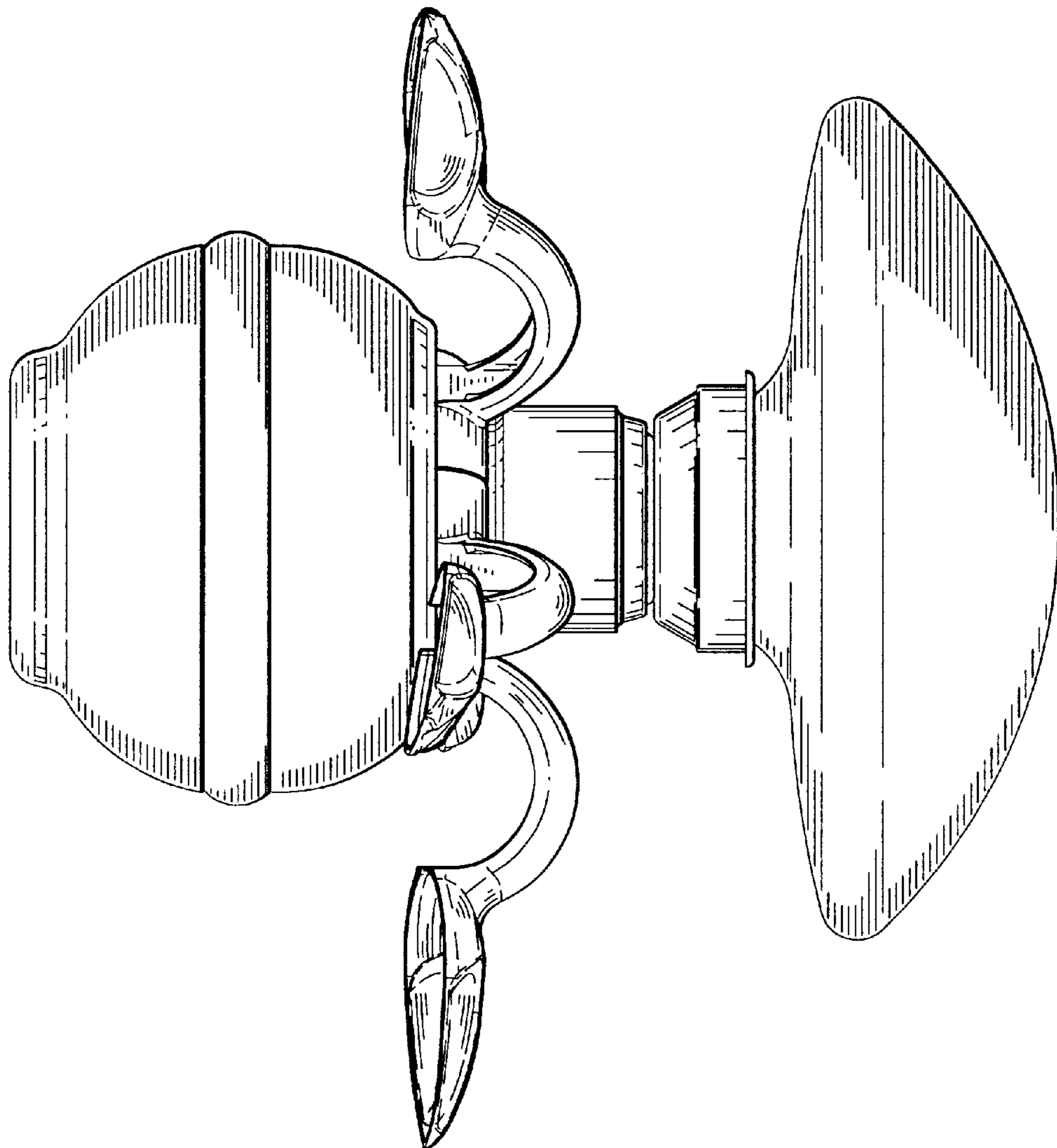


FIG 6

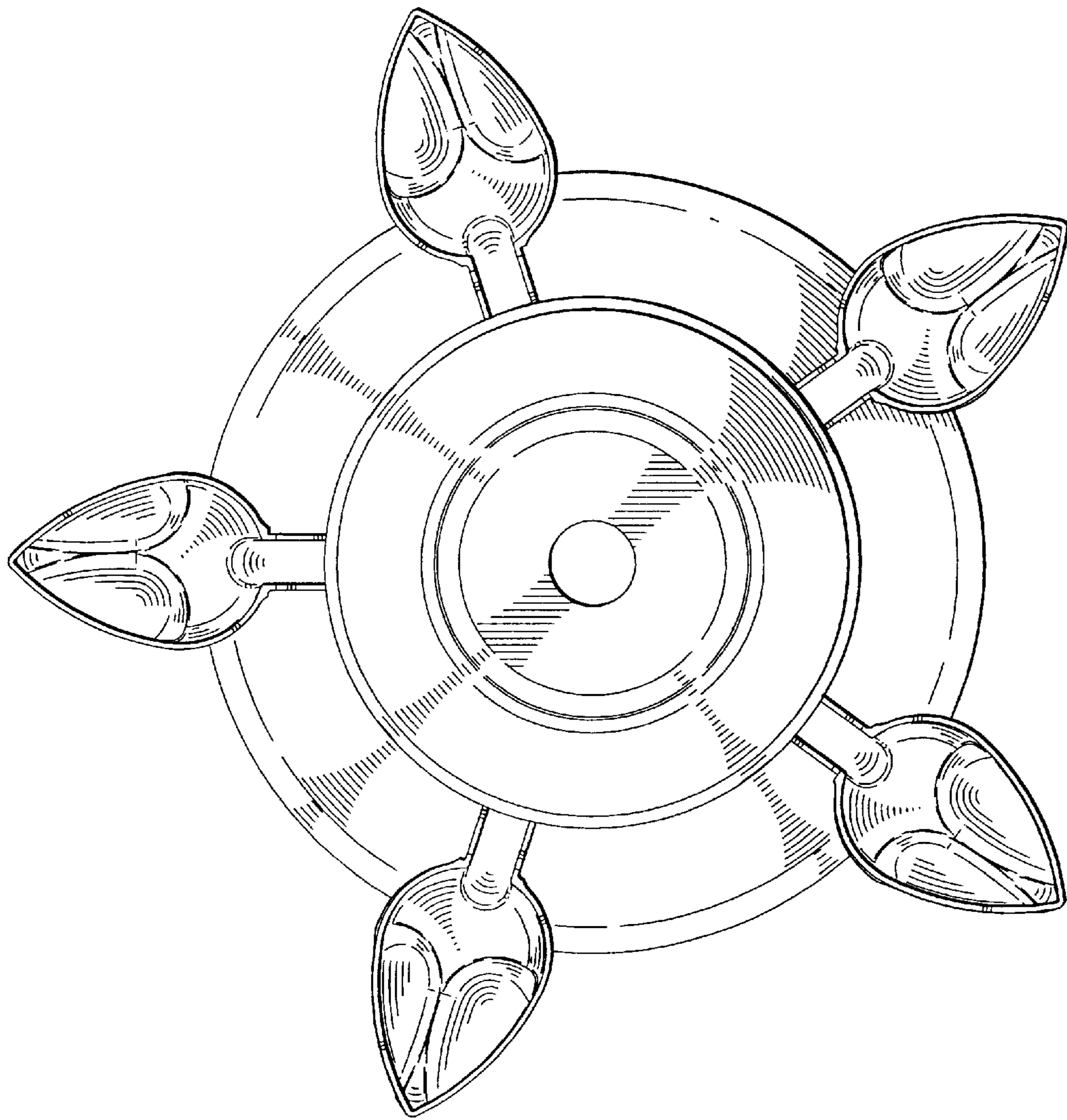


FIG 7

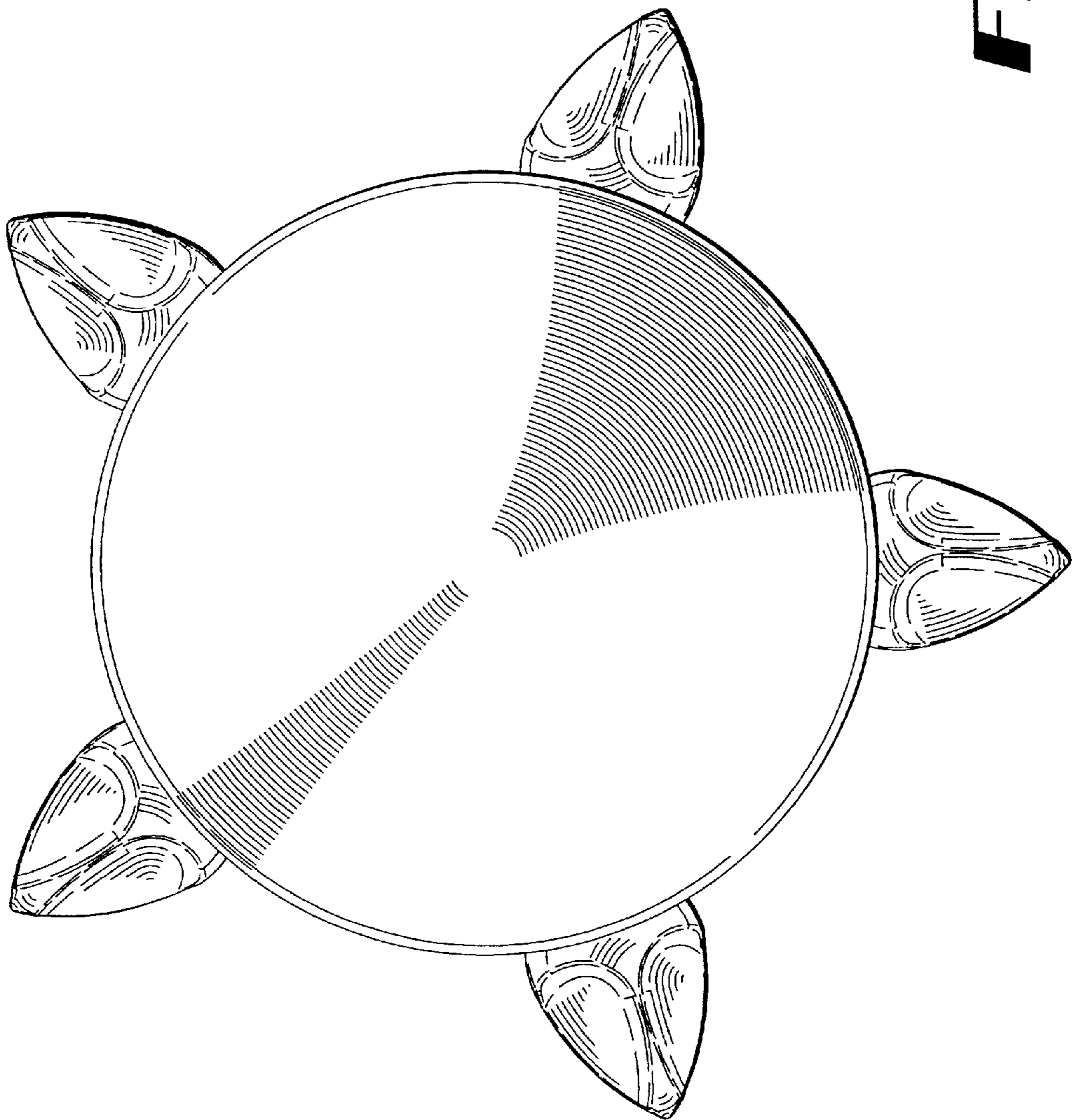


FIG 8