



US00D417268S

United States Patent [19] Gillingham

[11] Patent Number: Des. 417,268

[45] Date of Patent: ** Nov. 30, 1999

[54] OVAL FILTER

[75] Inventor: Gary R. Gillingham, Prior Lake, Minn.

[73] Assignee: Donaldson Company, Inc.,
Minneapolis, Minn.

[**] Term: 14 Years

[21] Appl. No.: 29/053,413

[22] Filed: Apr. 26, 1996

[51] LOC (6) Cl. 23-04

[52] U.S. Cl. D23/365

[58] Field of Search D23/365; 55/498;
210/493.4

[56] **References Cited**

U.S. PATENT DOCUMENTS

- 3,807,150 4/1974 Maracle .
- 3,878,594 4/1975 Minor, Jr. et al. .
- 3,966,646 6/1976 Noakes et al. .
- 4,289,513 9/1981 Brownhill et al. .
- 4,430,223 2/1984 Miyakawa et al. .

- 4,439,321 3/1984 Taki et al. .
- 4,498,989 2/1985 Miyakawa et al. 210/493.4
- 5,304,351 4/1994 Tanaka et al. 55/498

Primary Examiner—Lisa Lichtenstein
Attorney, Agent, or Firm—Merchant, Gould, Smith, Edell,
Welter & Schmidt

[57] **CLAIM**

The ornamental design for an oval filter, as shown and described.

DESCRIPTION

FIG. 1 shows a perspective view of an oval filter, according to the principles of the present invention;
FIG. 2 shows a right end elevational view thereof, a left end elevational view is not being shown as it is a mirror image of the right end elevational view;
FIG. 3 shows a front elevational view thereof, a rear elevational view is not being shown as it is a mirror image of the front elevational view; and,
FIG. 4 shows a top plan view thereof, a bottom plan view is not being shown as it is mirror image of the top plan view.

1 Claim, 2 Drawing Sheets

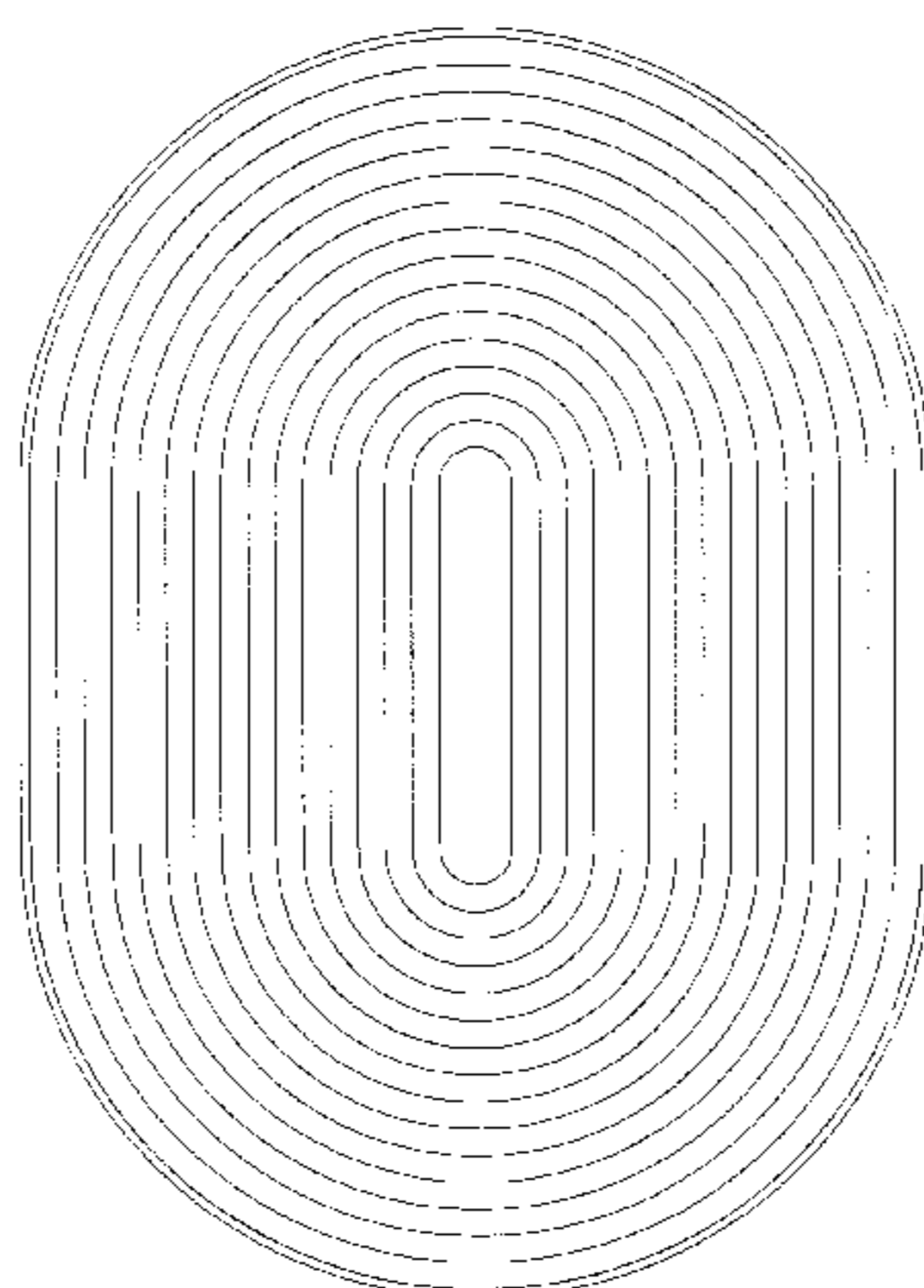
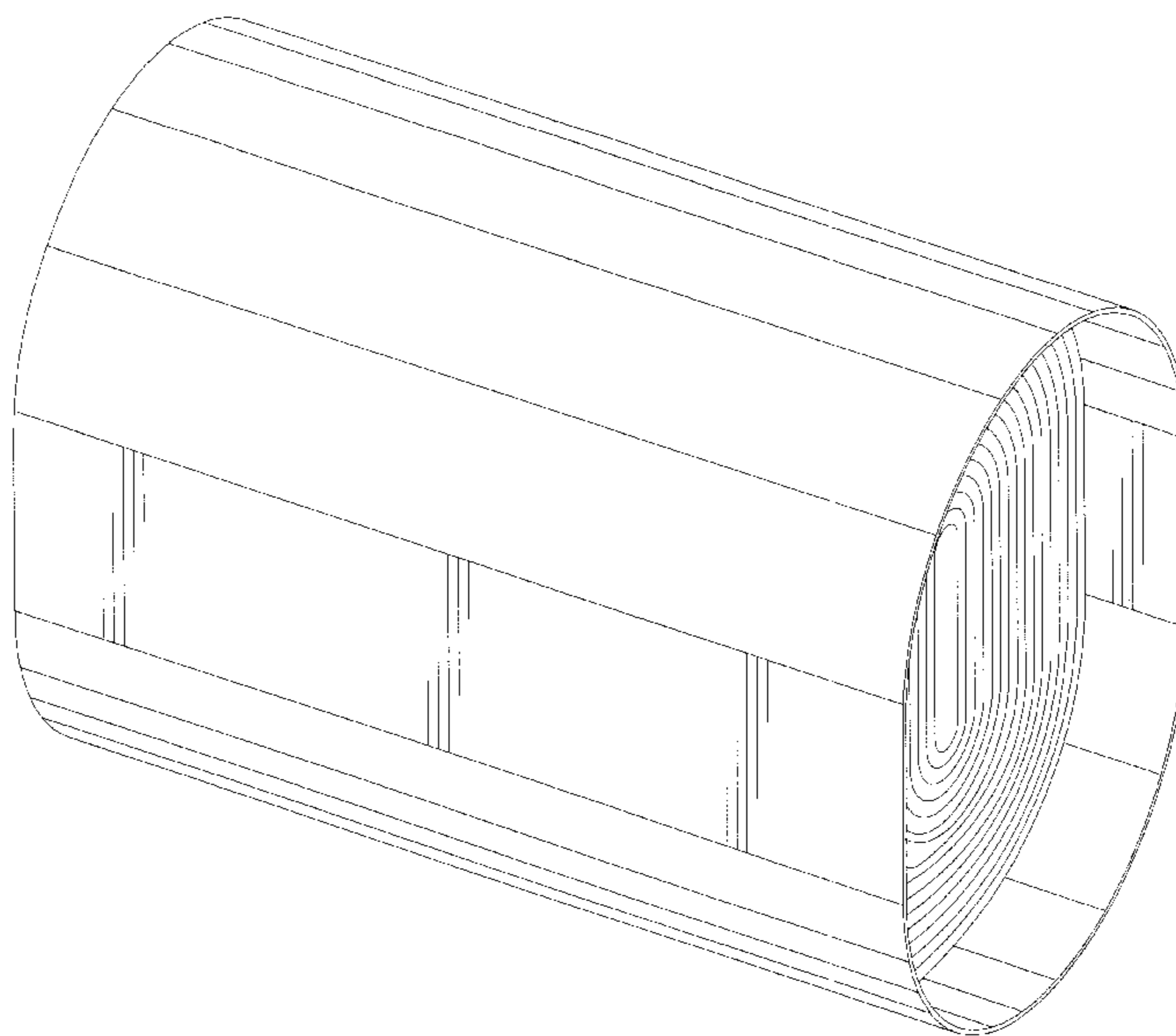


FIG. 1

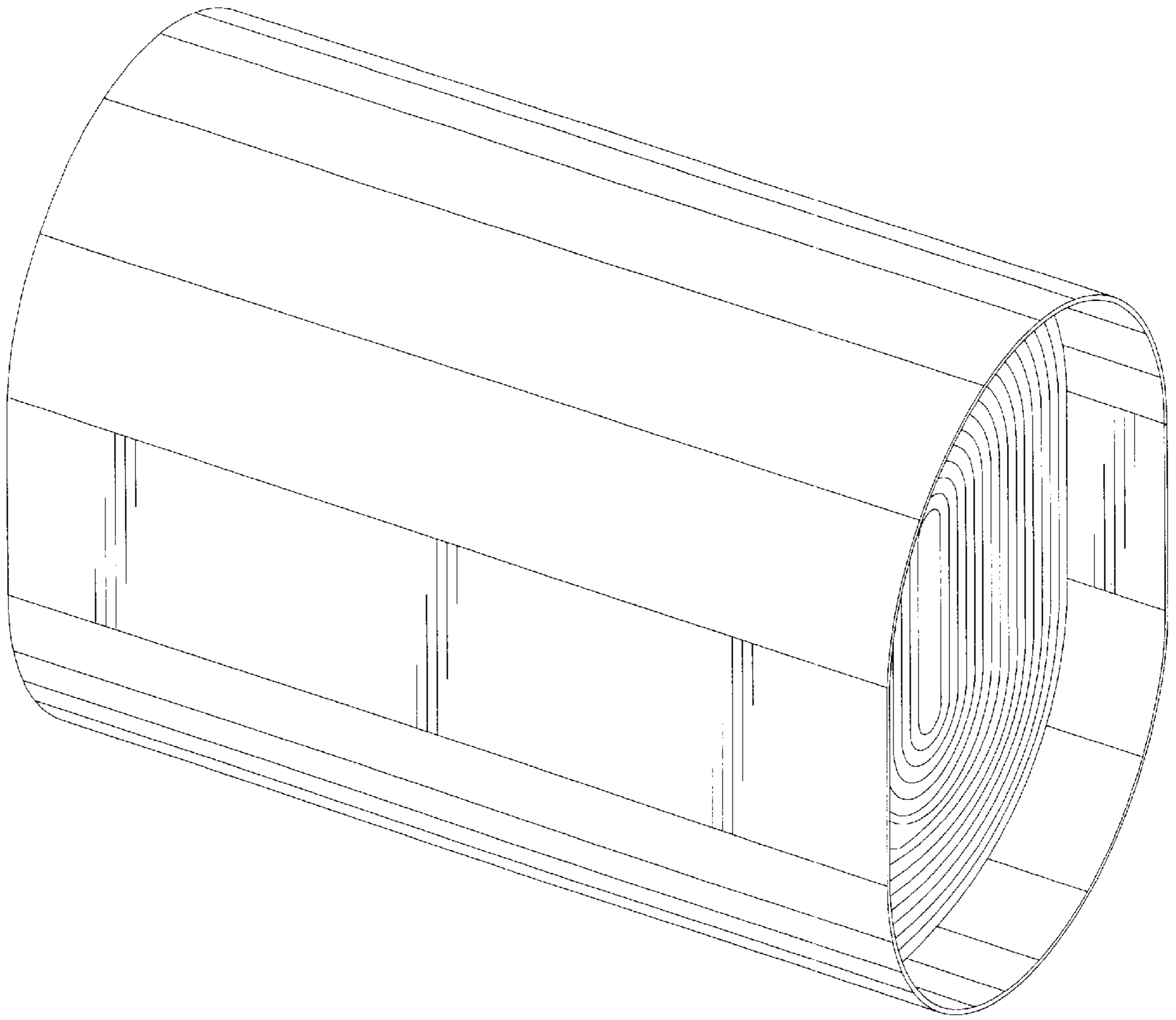


FIG. 2

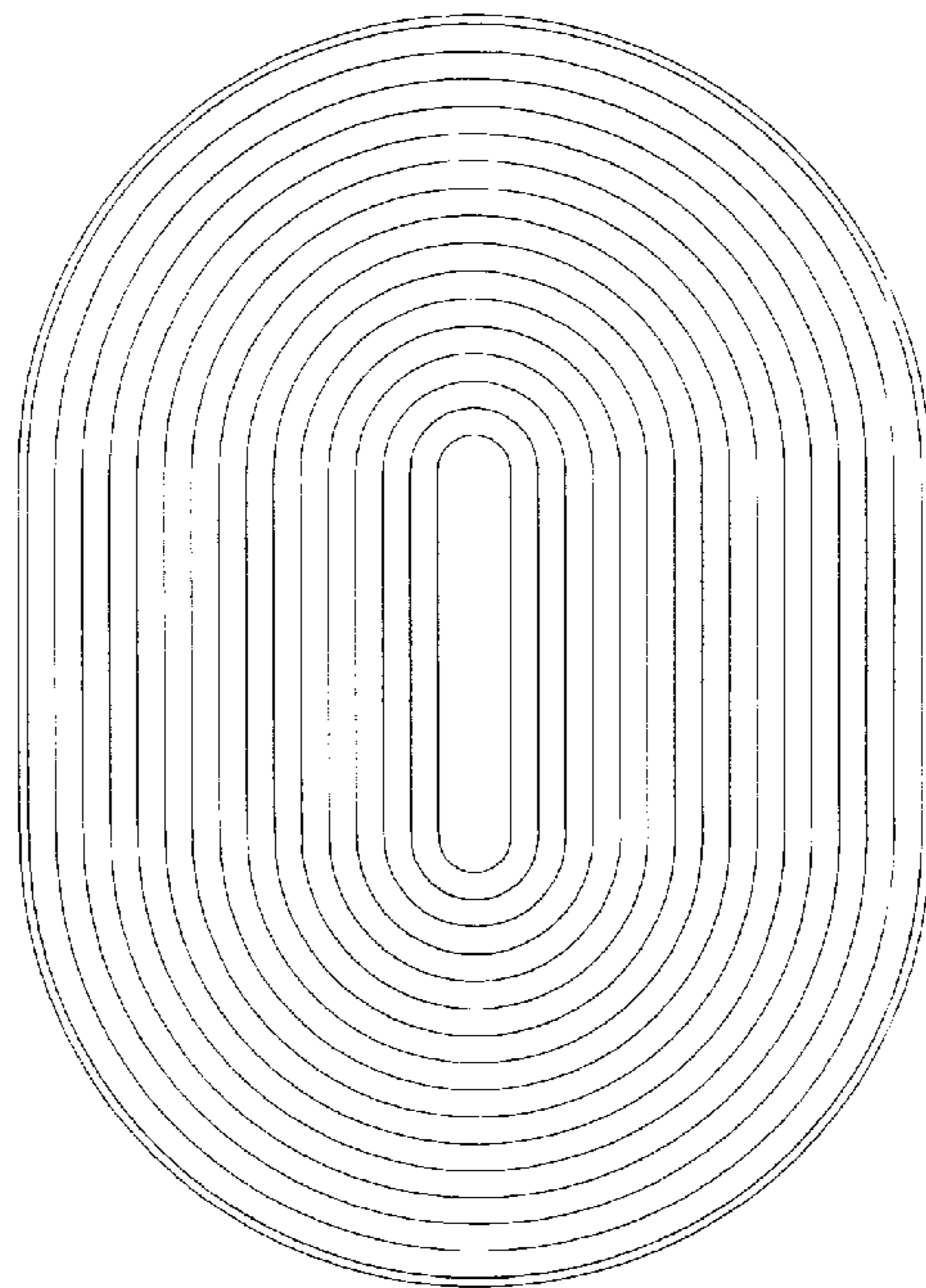


FIG. 3

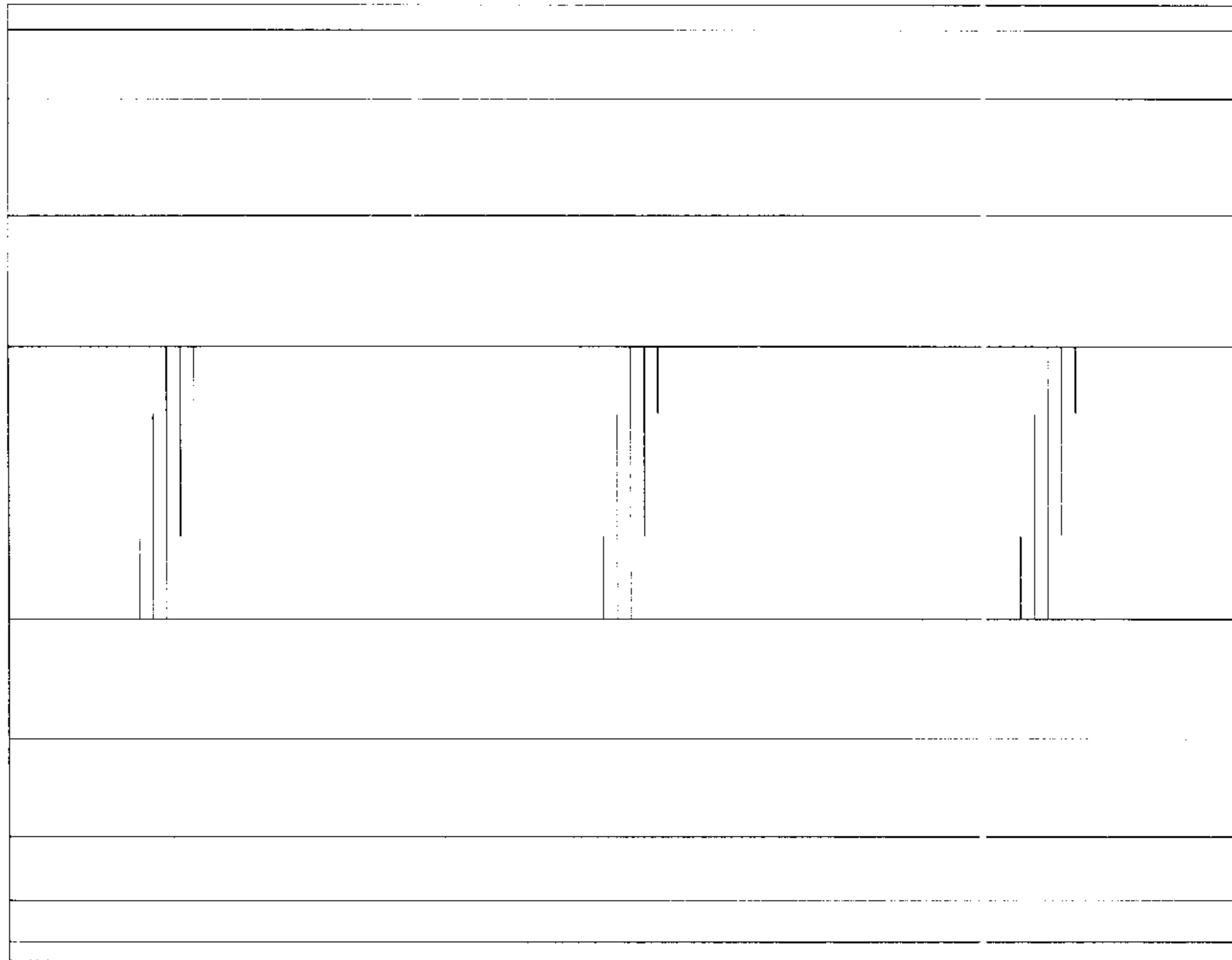


FIG. 4

