



US00D417267S

United States Patent [19]

[11] **Patent Number: Des. 417,267**

Sacco et al.

[45] **Date of Patent: ** Nov. 30, 1999**

[54] **EXTERIOR SURFACE CONFIGURATION OF CLIMATE CONTROL UNIT FOR MOTOR VEHICLE**

| | | | |
|------------|---------|----------------------|----------|
| D. 394,017 | 5/1998 | Liao et al. | D12/192 |
| D. 401,545 | 11/1998 | Sacco et al. | D12/192 |
| 5,186,387 | 2/1993 | Doi et al. | 236/49.3 |
| 5,823,599 | 10/1998 | Gray | 296/37.8 |
| 5,860,593 | 1/1999 | Heinle et al. | 236/49.3 |
| 5,873,520 | 2/1999 | Ratgeber et al. | 236/49.3 |

[75] Inventors: **Bruno Sacco**, Sindelfingen; **Peter Pfeiffer**, Boeblingen; **Hans-Dieter Futschik**, Gechingen; **Norbert Weber**, Bondorf, all of Germany

Primary Examiner—B. J. Bullock
Attorney, Agent, or Firm—Evenson, McKeown, Edwards & Lenahan, P.L.L.C.

[73] Assignee: **DaimlerChrysler AG**, Stuttgart, Germany

[**] Term: **14 Years**

[57] CLAIM

[21] Appl. No.: **29/085,066**

The ornamental design for an exterior surface configuration of climate control unit for motor vehicle, as shown and described.

[22] Filed: **Feb. 27, 1998**

DESCRIPTION

[30] Foreign Application Priority Data

Aug. 27, 1997 [DE] Germany 97 07 820

FIG. 1 is a front view of an exterior surface configuration of climate control unit for motor vehicle according to our novel design; and,

[51] **LOC (6) Cl.** **12-16**

[52] **U.S. Cl.** **D23/327; D12/192**

[58] **Field of Search** D23/324, 325, D23/327, 354, 387; D10/49, 50, 51; D12/192; D13/162, 164; 62/244, 186.6, 259.1; 236/94, 49.3, 91 R, 91 D; 237/5, 2 A, 12.3 R; 454/358, 143, 144; 165/202, 41-43, 11.1; 296/70, 37.1, 37.8

FIG. 2 is a perspective view from the front right of an exterior surface configuration of climate control unit for motor vehicle according to our novel design, the louvers is a raised position from that shown in FIG. 1.

The dash line showing included depicts environment and is not part of the claimed design.

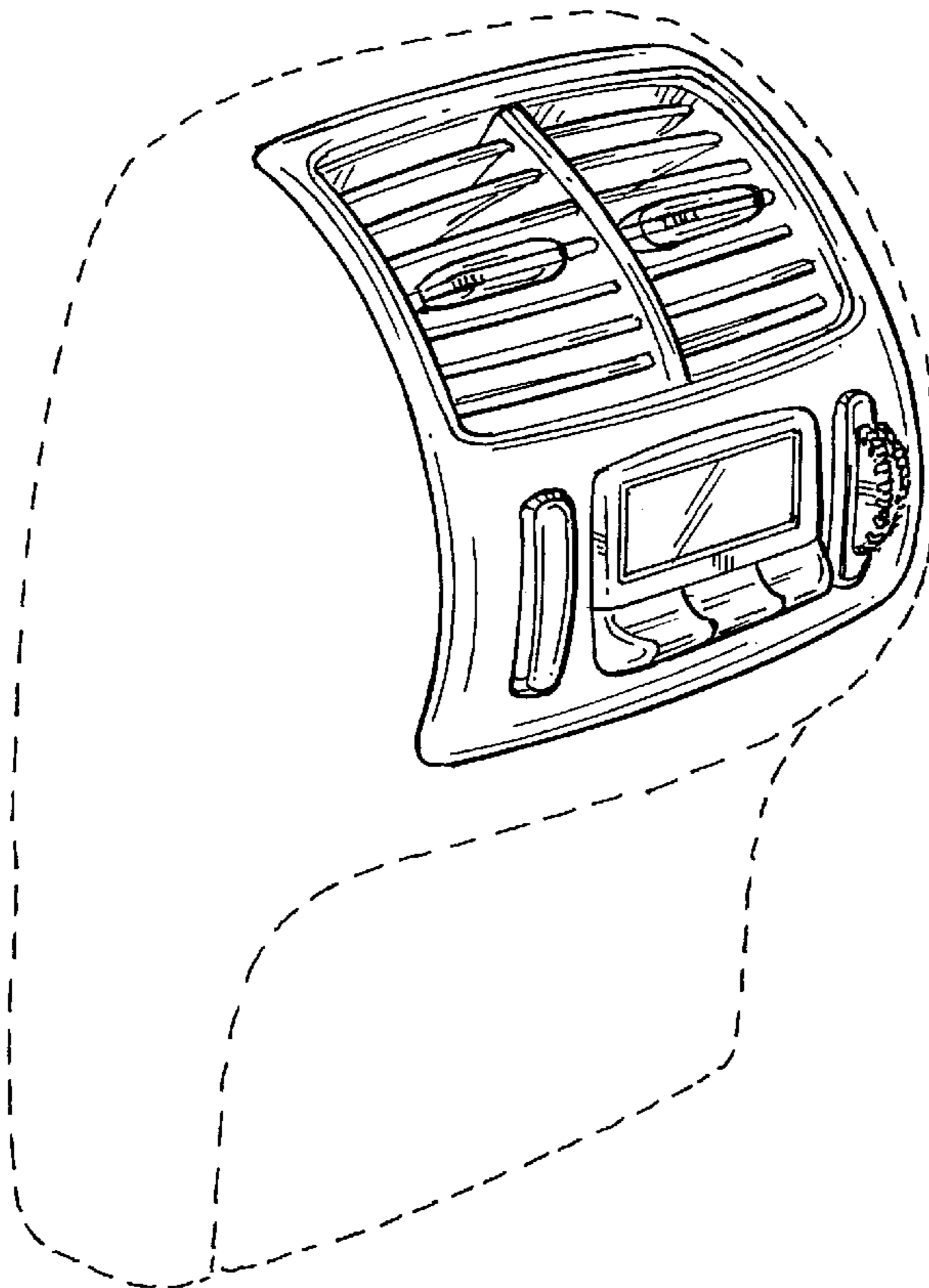
The surface(s) or portion(s) of the article not shown in the drawing or described in the specification forms(s) no part of the claimed design.

[56] References Cited

U.S. PATENT DOCUMENTS

D. 369,999 5/1996 Sacco et al. D12/192

1 Claim, 1 Drawing Sheet



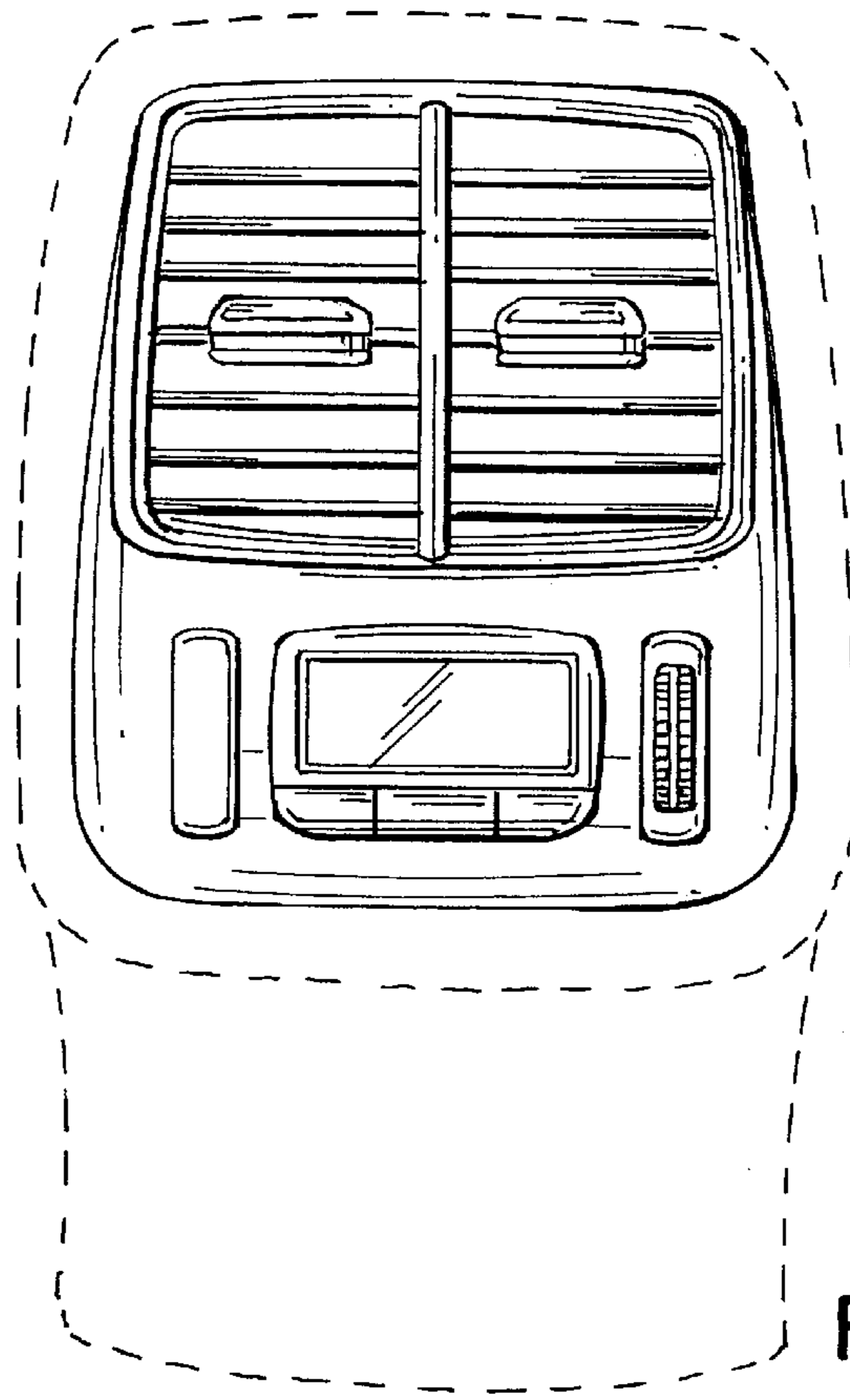


FIG. 1

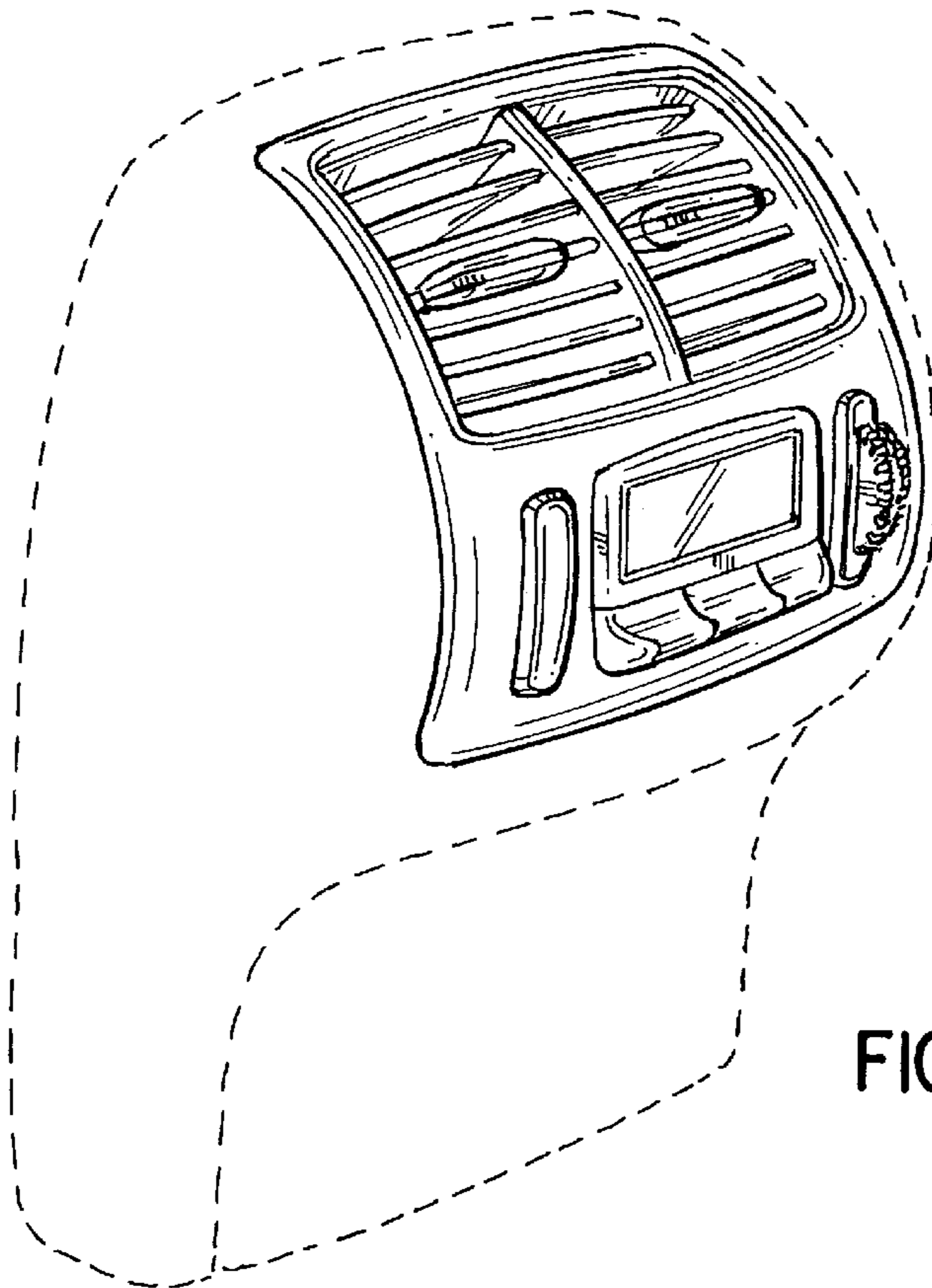


FIG. 2