



US00D417264S

United States Patent [19] Beth

[11] Patent Number: Des. 417,264

[45] Date of Patent: ** Nov. 30, 1999

[54] GUTTER GUARD

5,592,783 1/1997 Jones 52/12

[75] Inventor: Robert M. Beth, Stanford, Calif.

Primary Examiner—Alan P. Douglas
Assistant Examiner—Reid Hecker
Attorney, Agent, or Firm—Carol D. Titus; James J. Leary

[73] Assignee: Board of Trustees of the Leland
Stanford Junior University, Palo Alto,
Calif.

[57] CLAIM

[**] Term: 14 Years

The ornamental design for a gutter guard, as shown and described.

[21] Appl. No.: 29/077,198

DESCRIPTION

[22] Filed: Sep. 29, 1997

[51] LOC (6) Cl. 23-01

[52] U.S. Cl. D23/261

[58] Field of Search D5/54, 58, 60-61;
D7/667; D23/260-261; D25/113-115, 118-119,
121-122, 124; D32/56; 4/286-292, 507,
510, 650, 679; 52/12, 302.3; 210/163-164;
312/229; 404/2, 4

FIG. 1 is a perspective view of the gutter guard installed within a gutter of a guttered structure, in this case a house; the gutter guard is shown separated and bracketed to indicate that the precise length is not claimed; the broken line showing of the gutter and structure are for illustrative purposes only and form no part of the claimed design;

FIG. 2 is an enlarged bottom view thereof shown separated and bracketed to indicate that the precise length is not claimed;

FIG. 3 is an enlarged top view thereof shown separated and bracketed to indicate that the precise length is not claimed;

FIG. 4 is an enlarged right side view thereof;

FIG. 5 is an enlarged left side view thereof;

FIG. 6 is an enlarged front view thereof shown separated and bracketed to indicate that the precise length is not claimed; and,

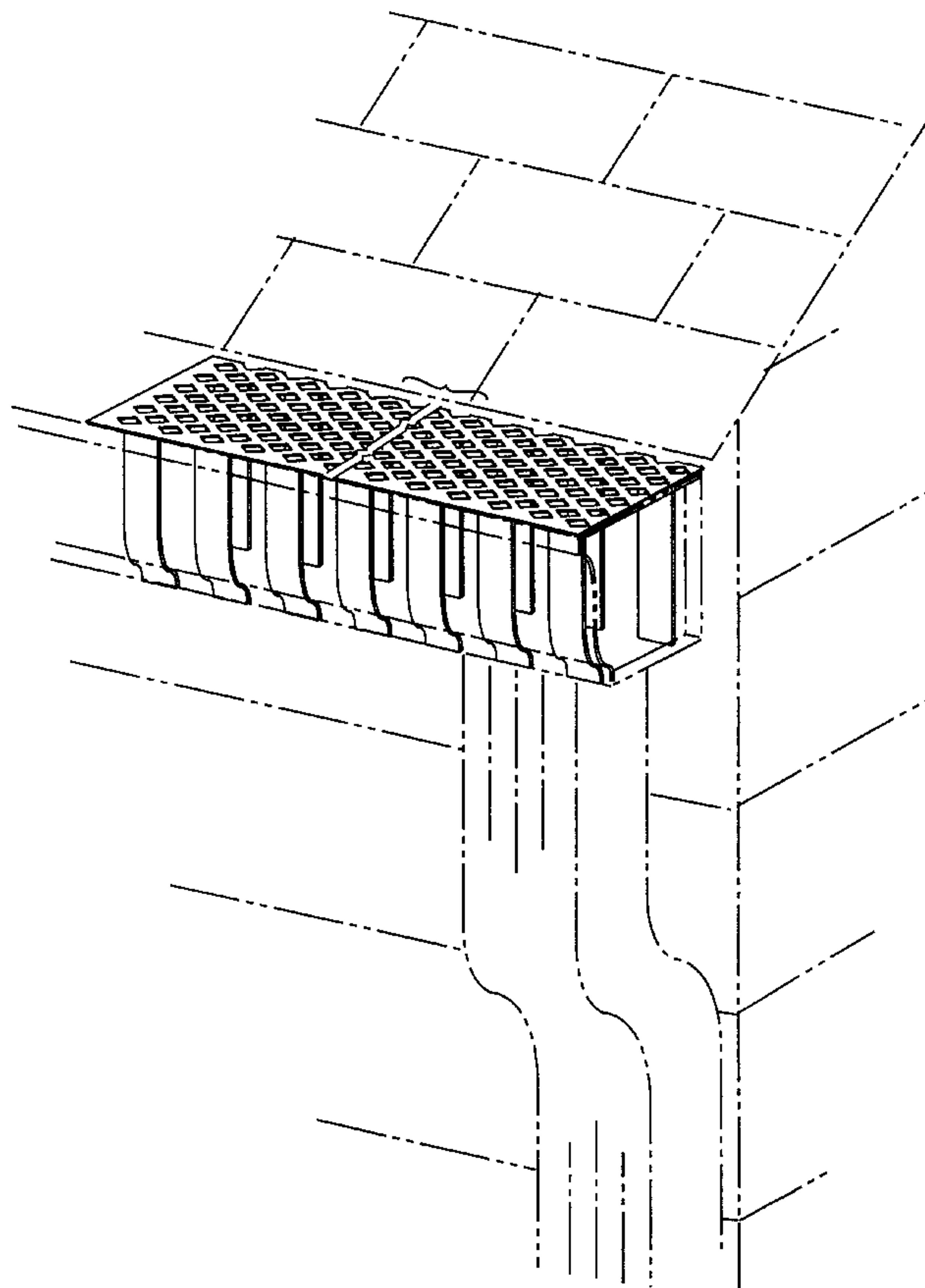
FIG. 7 is an enlarged back view thereof shown separated and bracketed to indicate that the precise length is not claimed.

[56] References Cited

U.S. PATENT DOCUMENTS

| | | | | |
|------------|---------|---------|-------|----------|
| D. 223,829 | 6/1972 | Cook | | D23/261 |
| 373,002 | 11/1887 | Aldrich | | 312/201 |
| 3,253,393 | 5/1966 | McLean | | 210/474 |
| 4,007,566 | 2/1977 | Molitor | | 52/169.7 |
| 4,553,356 | 11/1985 | Pepper | | 52/11 |
| 4,936,061 | 6/1990 | Palma | | 52/12 |
| 4,965,969 | 10/1990 | Antenen | | 52/12 |

1 Claim, 4 Drawing Sheets



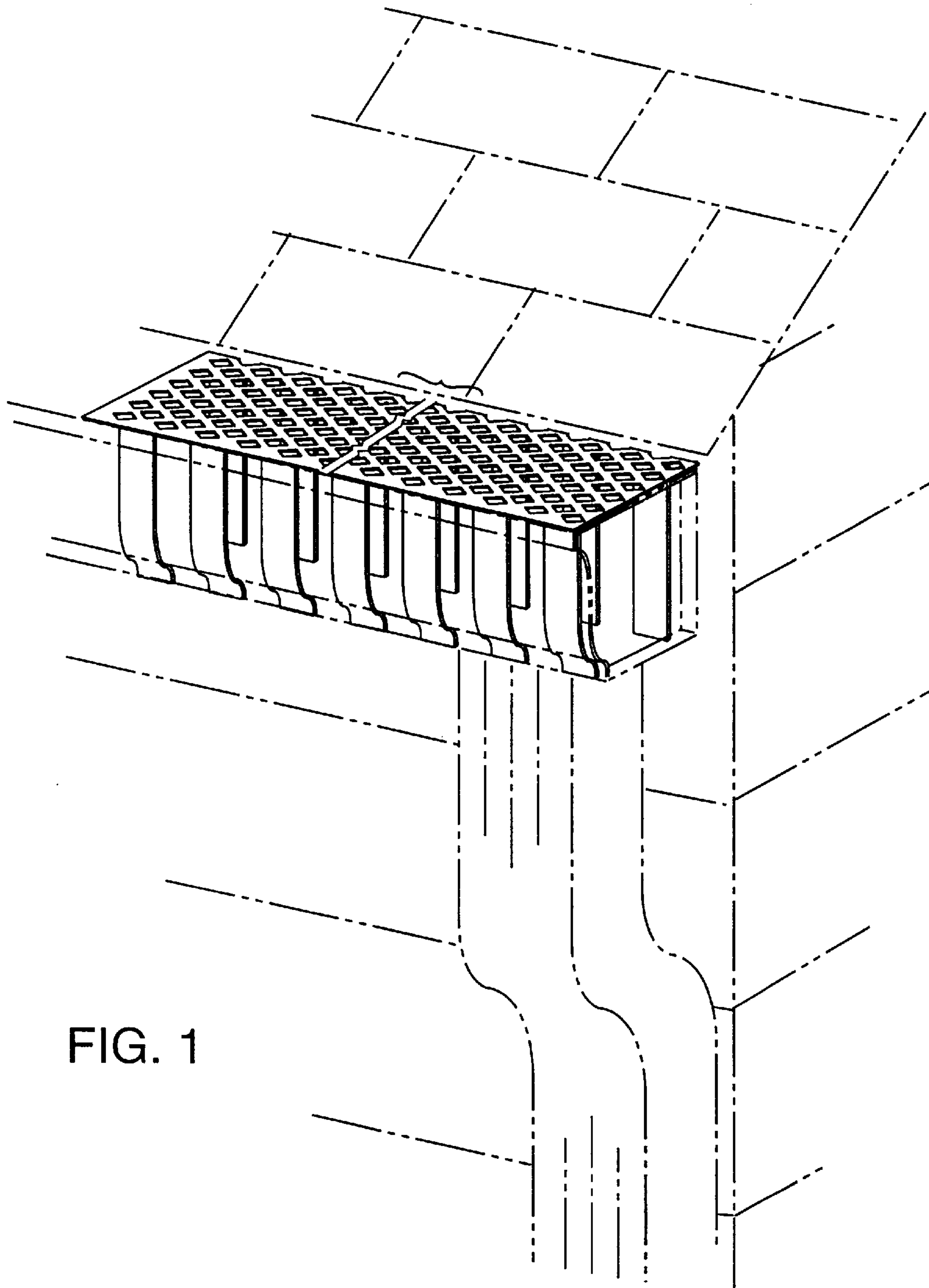


FIG. 1

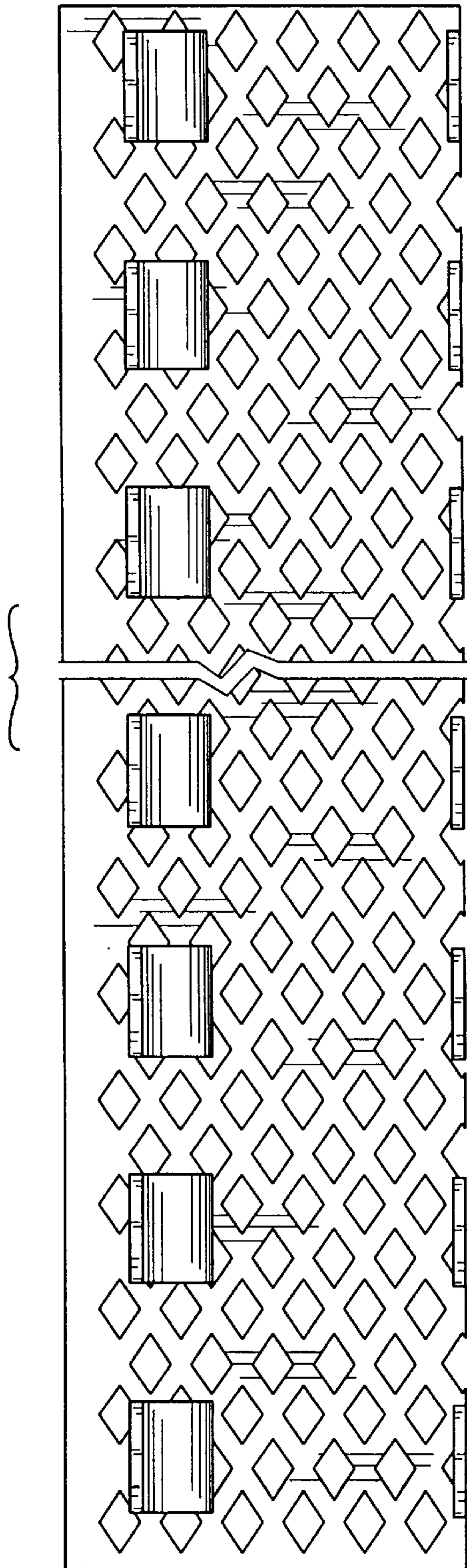


FIG. 2

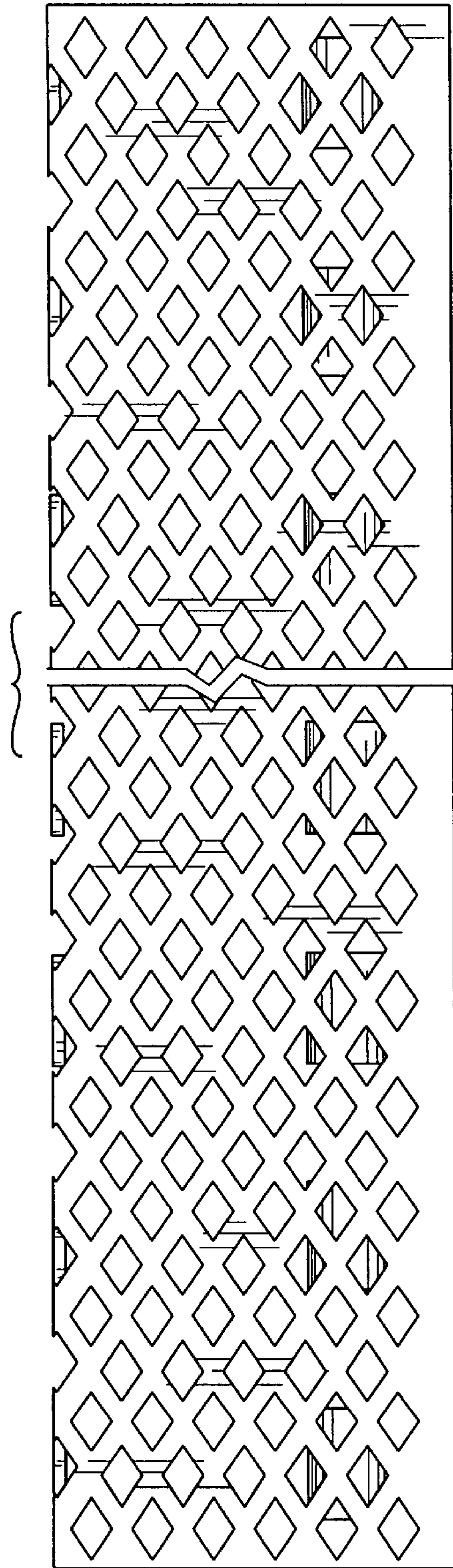


FIG. 3

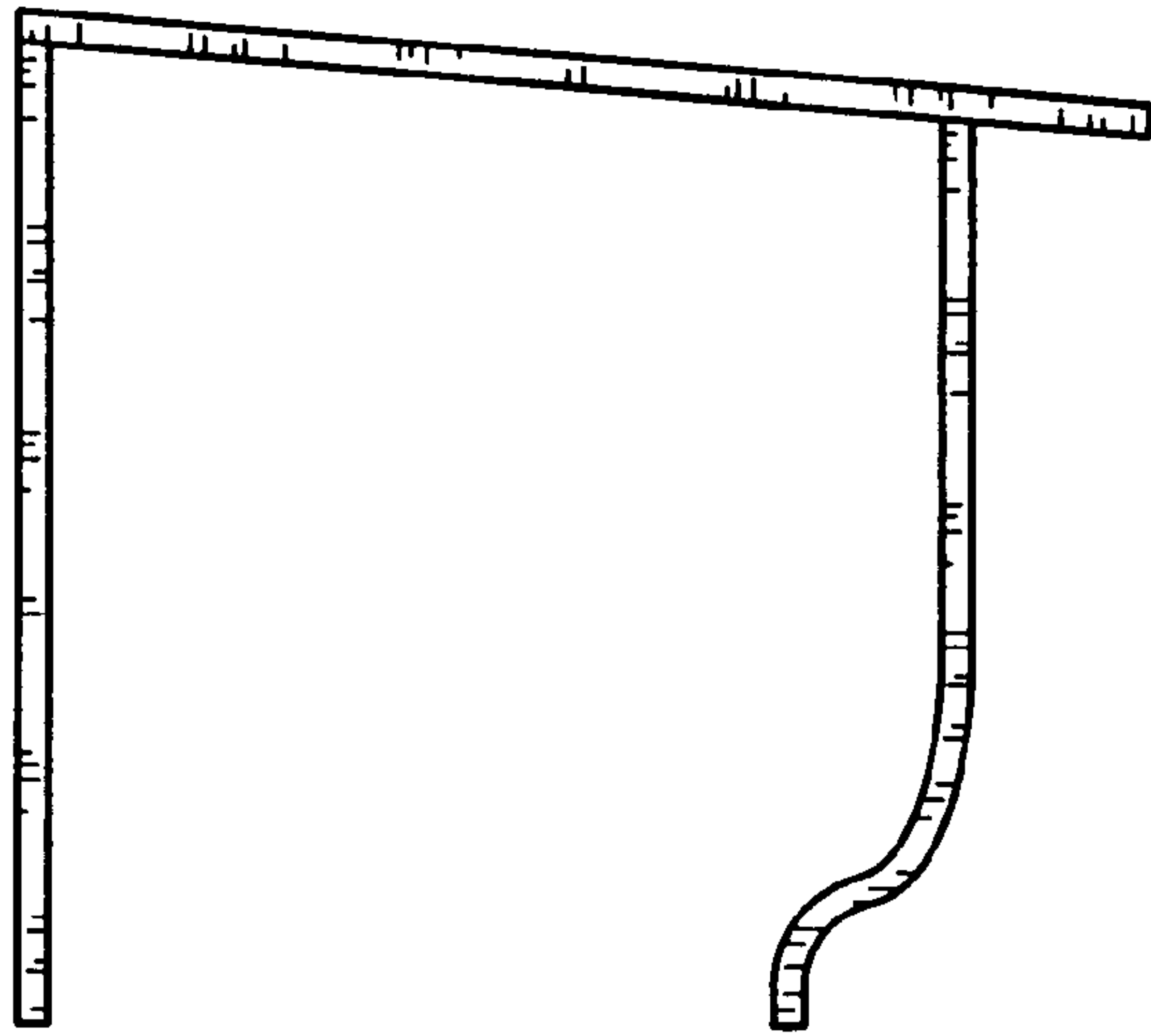


FIG. 4

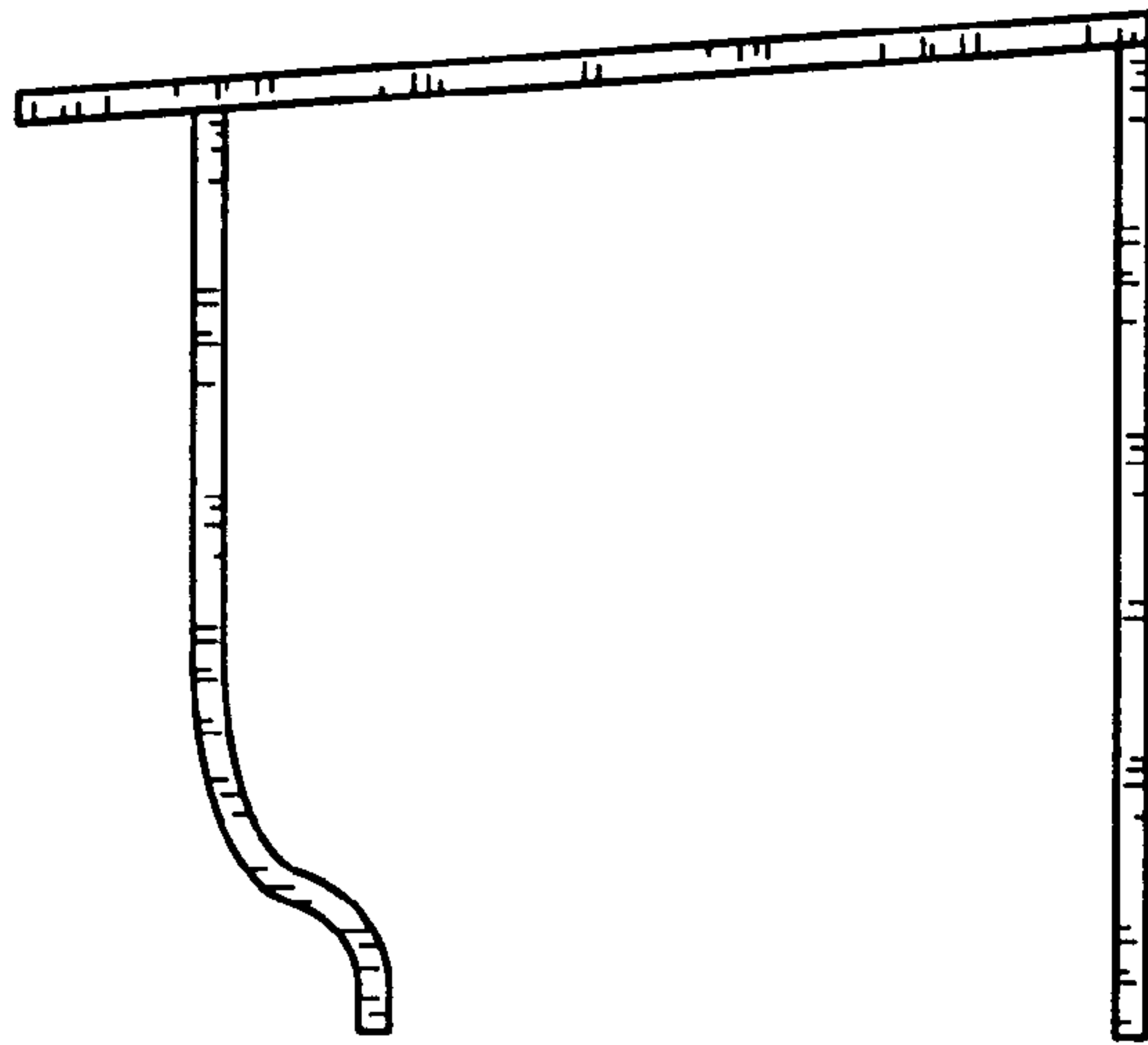


FIG. 5

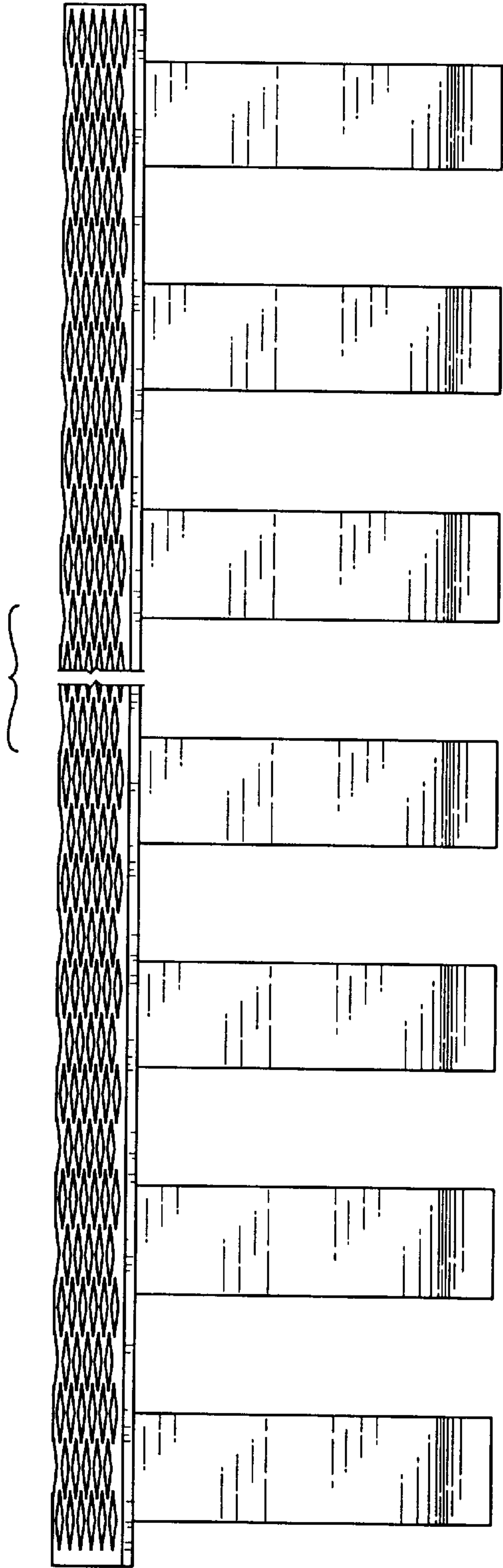


FIG. 6

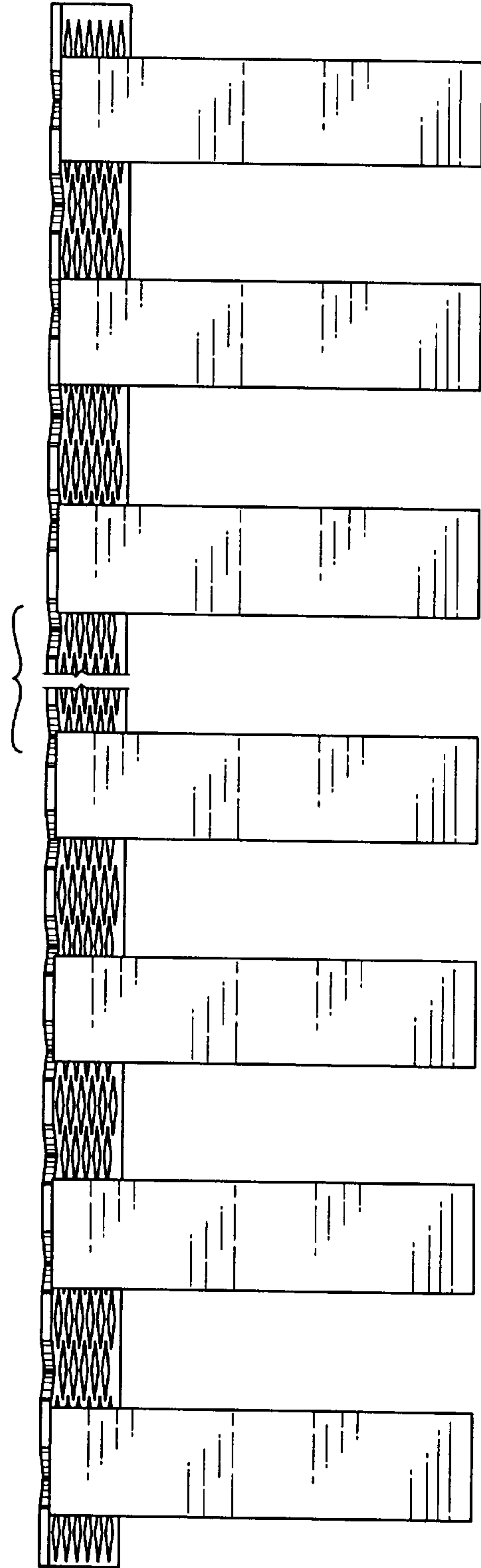


FIG. 7