



US00D417262S

# United States Patent [19] Caplow

[11] **Patent Number: Des. 417,262**

[45] **Date of Patent: \*\* Nov. 30, 1999**

[54] **SPOUT**

[75] Inventor: **Bradley R. Caplow**, Sherman Oaks, Calif.

[73] Assignee: **Kallista, Inc.**, Kohler, Wis.

[\*\*] Term: **14 Years**

[21] Appl. No.: **29/101,959**

[22] Filed: **Mar. 15, 1999**

[51] **LOC (6) Cl.** ..... **23-01**

[52] **U.S. Cl.** ..... **D23/255**

[58] **Field of Search** ..... D23/238-243,  
D23/250-257; 4/675-678; 137/801

[56] **References Cited**

**U.S. PATENT DOCUMENTS**

D. 297,755	9/1988	Paul	.....	D23/242
D. 301,920	6/1989	Paul	.....	D23/255
D. 303,565	9/1989	Paul	.....	D23/242
D. 316,593	4/1991	Kohler, Jr. et al.	.....	D23/255
D. 325,773	4/1992	Paul	.....	D23/255
D. 339,412	9/1993	Hill et al.	.....	D23/255
D. 352,547	11/1994	McKeone	.....	D23/255
D. 369,651	5/1996	Saadi et al.	.....	D23/255

D. 379,848 6/1997 Doughty et al. .... D23/255

**OTHER PUBLICATIONS**

1988 Kohler catalog ad, p. 3.14a, showing an "Alterna" spout.

Undated American Standard ad showing "Amarilis" spouts.

*Primary Examiner*—Eric Watterson

*Attorney, Agent, or Firm*—Quarles & Brady LLP

[57] **CLAIM**

The ornamental design for a spout, as shown and described.

**DESCRIPTION**

FIG. 1 is a left, top, front perspective view of a spout embodying my new design;

FIG. 2 is a left side elevational view thereof, the right side elevational view being a mirror image of the left side shown;

FIG. 3 is a top plan view thereof;

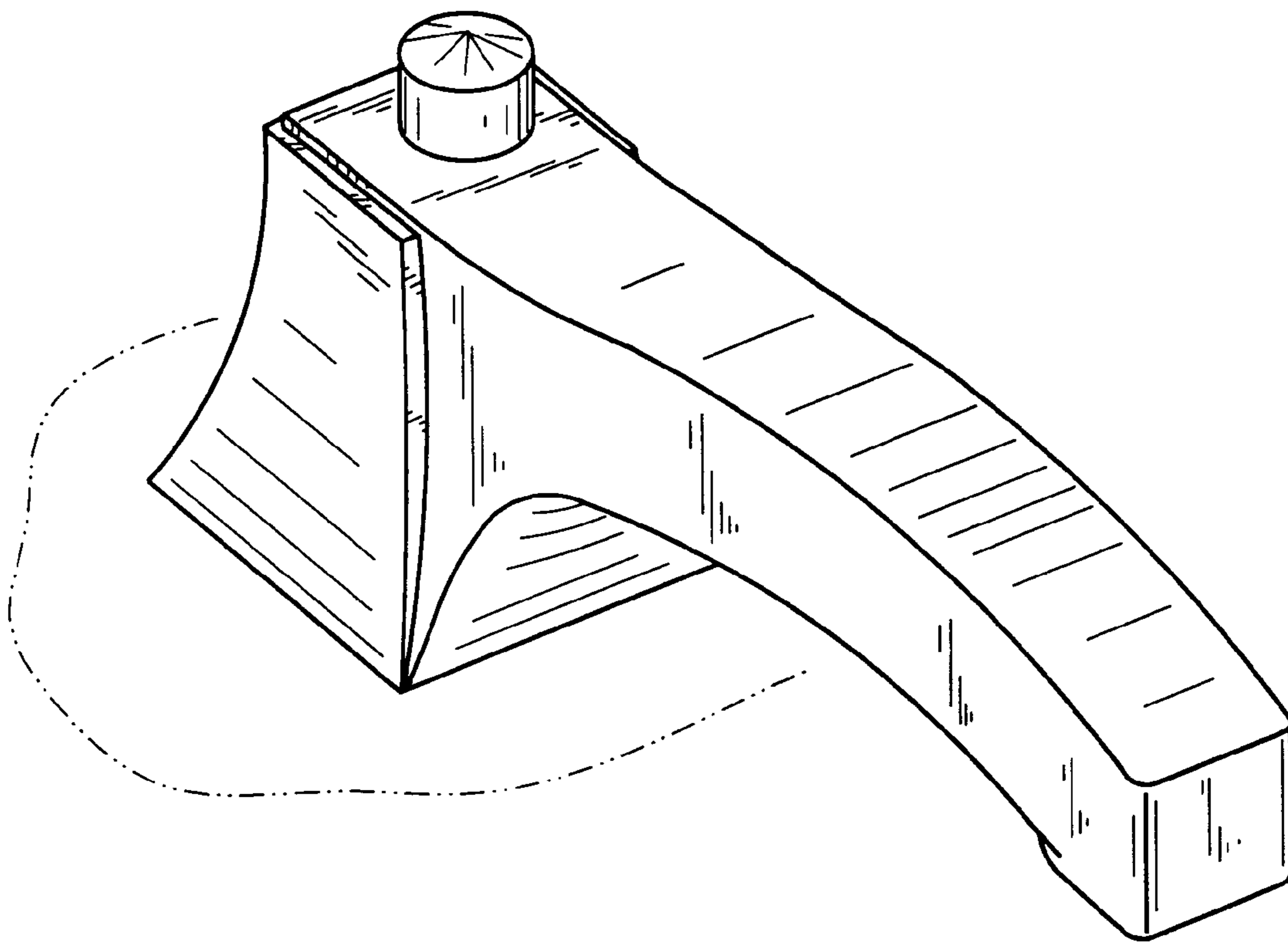
FIG. 4 is a front elevational view thereof;

FIG. 5 is a rear elevational view thereof; and,

FIG. 6 is a bottom plan view thereof.

The broken line representations of a mounting environment in FIG. 1, and of a hole in FIG. 6, are for the purpose of illustration only, and form no part of the claimed design.

**1 Claim, 2 Drawing Sheets**



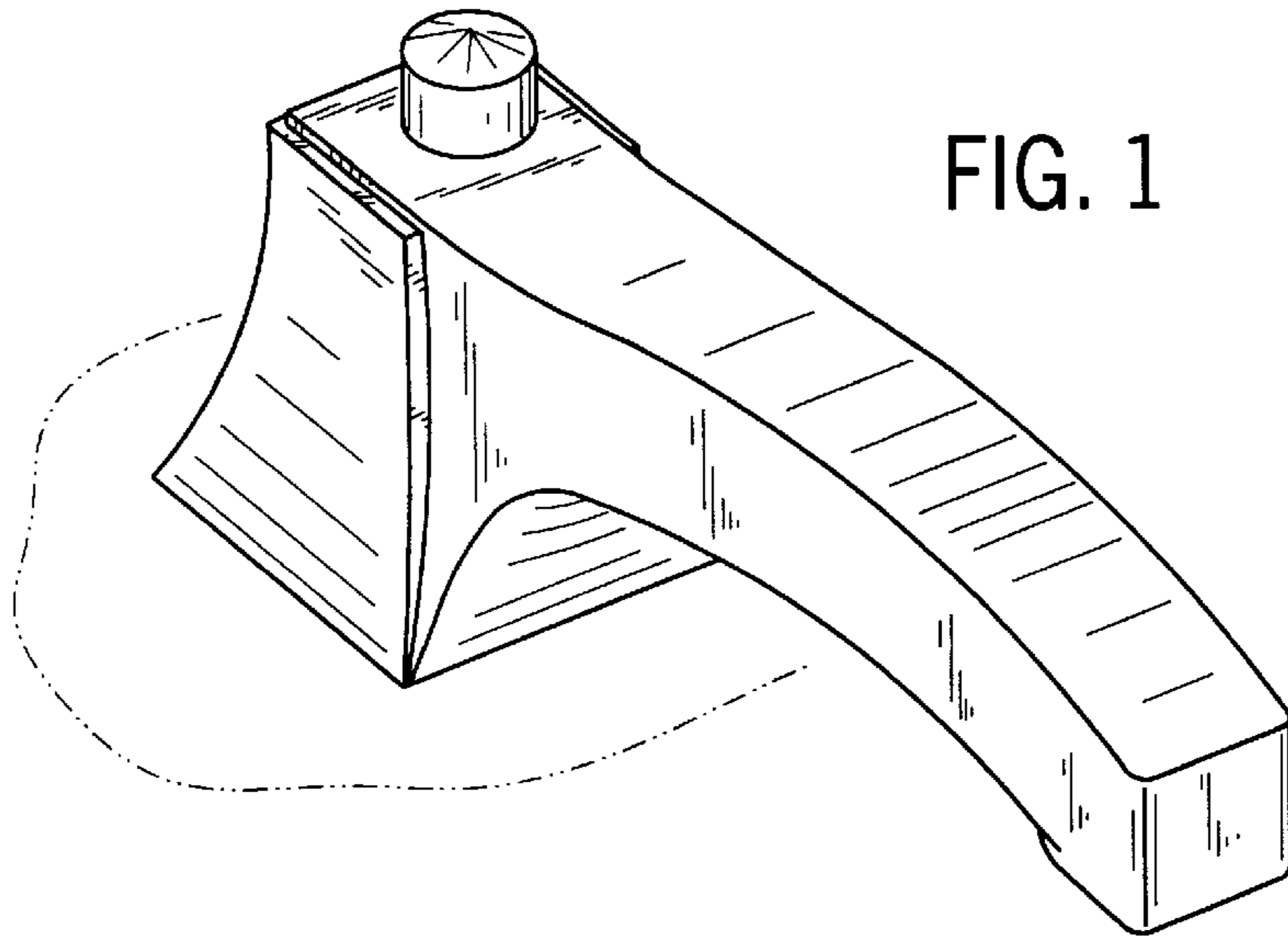


FIG. 1

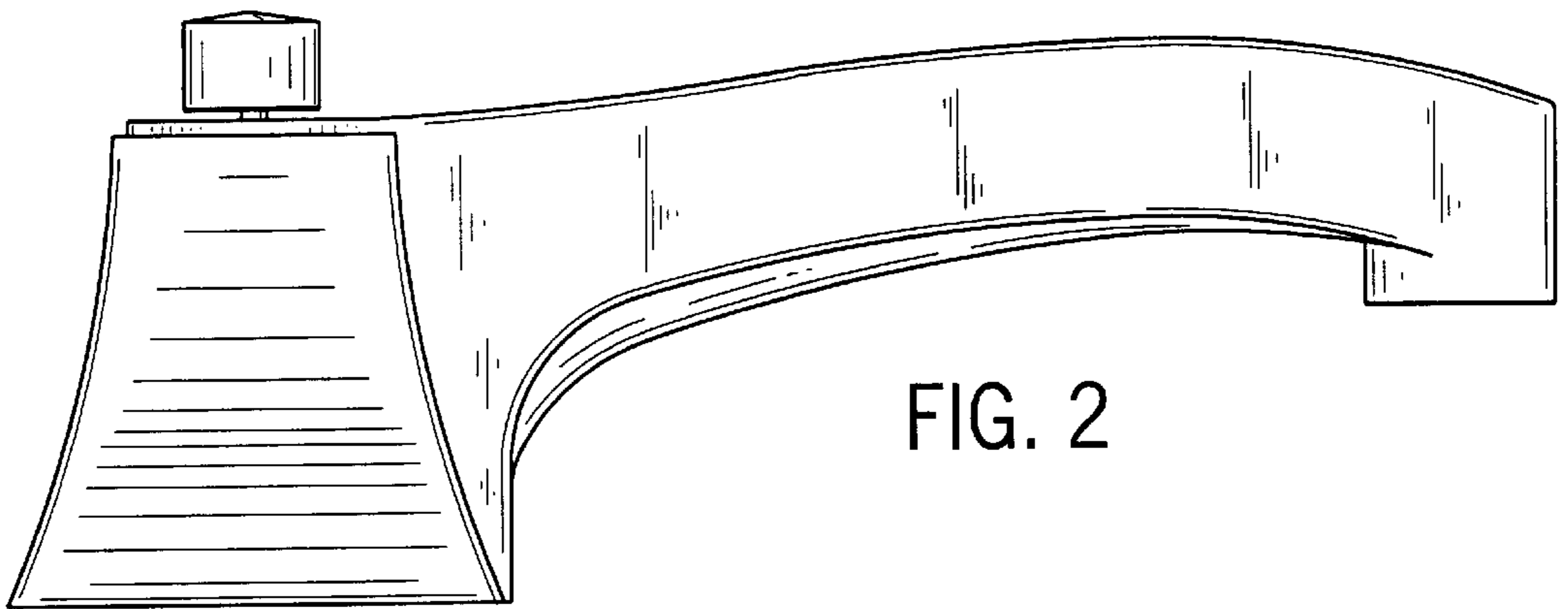


FIG. 2

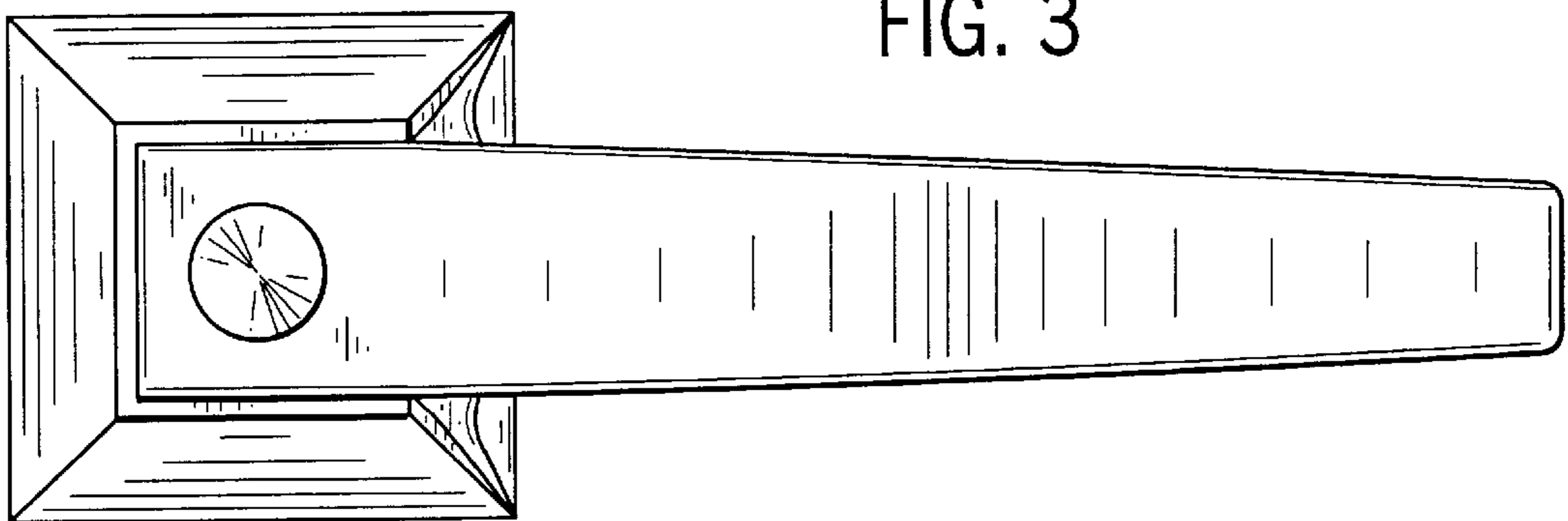


FIG. 3

FIG. 4

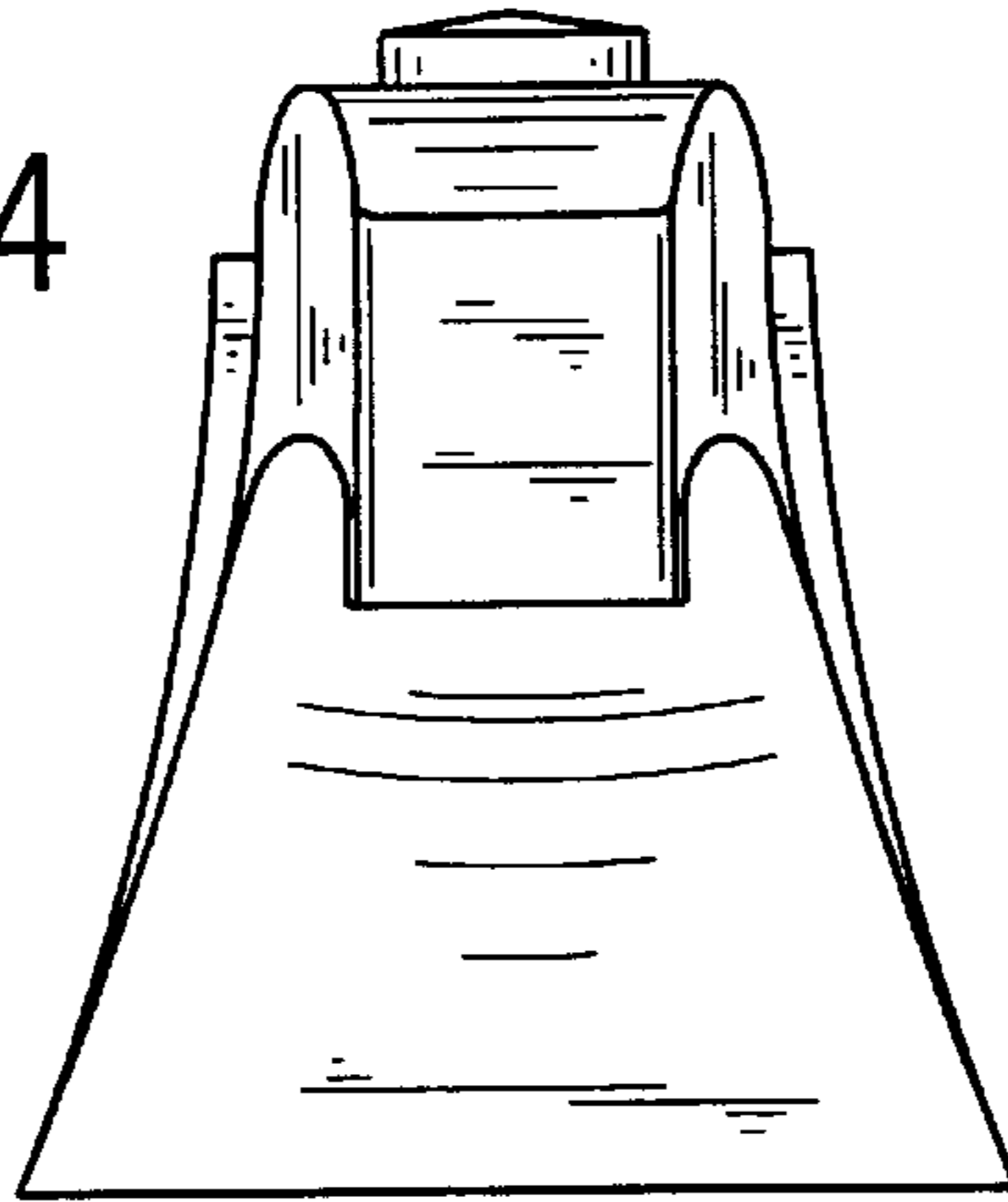


FIG. 5

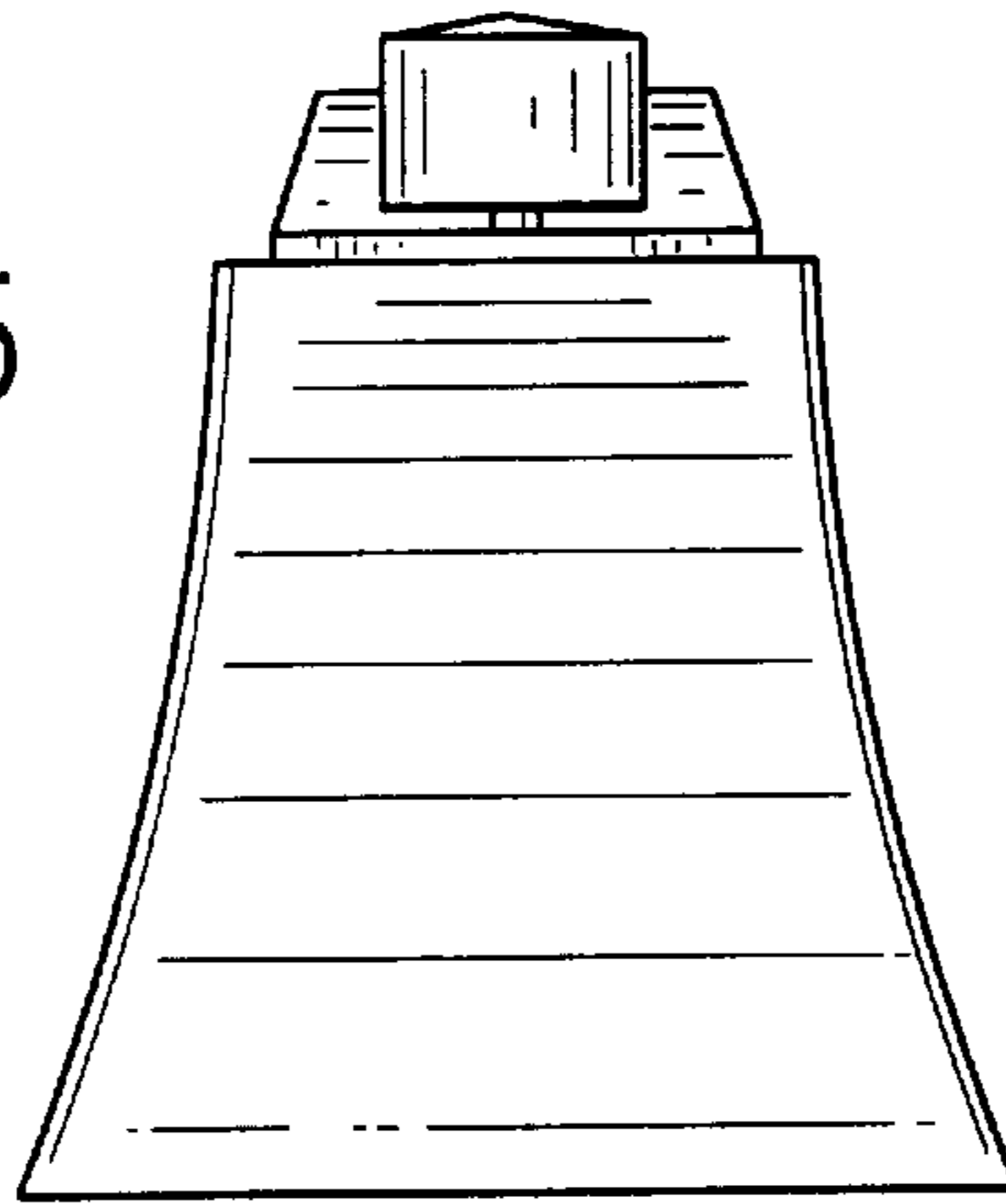


FIG. 6

