



US00D417260S

United States Patent [19]

Müllenmeister

[11] Patent Number: Des. 417,260

[45] Date of Patent: ** Nov. 30, 1999

[54] WALL-MOUNT SINGLE-LEVER FAUCET HEAD AND ESCUTCHEON

[75] Inventor: Daniel Müllenmeister, Havixbeck, Germany

[73] Assignee: Friedrich Grohe AG, Hemer, Germany

[**] Term: 14 Years

[21] Appl. No.: 29/105,046

[22] Filed: May 17, 1999

[30] Foreign Application Priority Data

Dec. 18, 1998 [DE] Germany 49812219

[51] LOC (6) Cl. 23-01

[52] U.S. Cl. D23/254

[58] Field of Search D23/238-243, D23/250-257; 4/675-678; 137/801

[56] References Cited

U.S. PATENT DOCUMENTS

- D. 339,630 9/1993 Gottwald D23/254
- D. 363,765 10/1995 Starck D23/254

- D. 373,180 8/1996 Gottwald D23/254
- D. 393,895 4/1998 Gottwald D23/254
- D. 397,771 9/1998 Lobermeier D23/254
- D. 402,009 12/1998 Gottwald D23/254
- D. 406,879 3/1999 Powell et al. D23/254
- D. 409,290 5/1999 Gottwald D23/254

Primary Examiner—Eric Watterson
Attorney, Agent, or Firm—Herbert Dubno

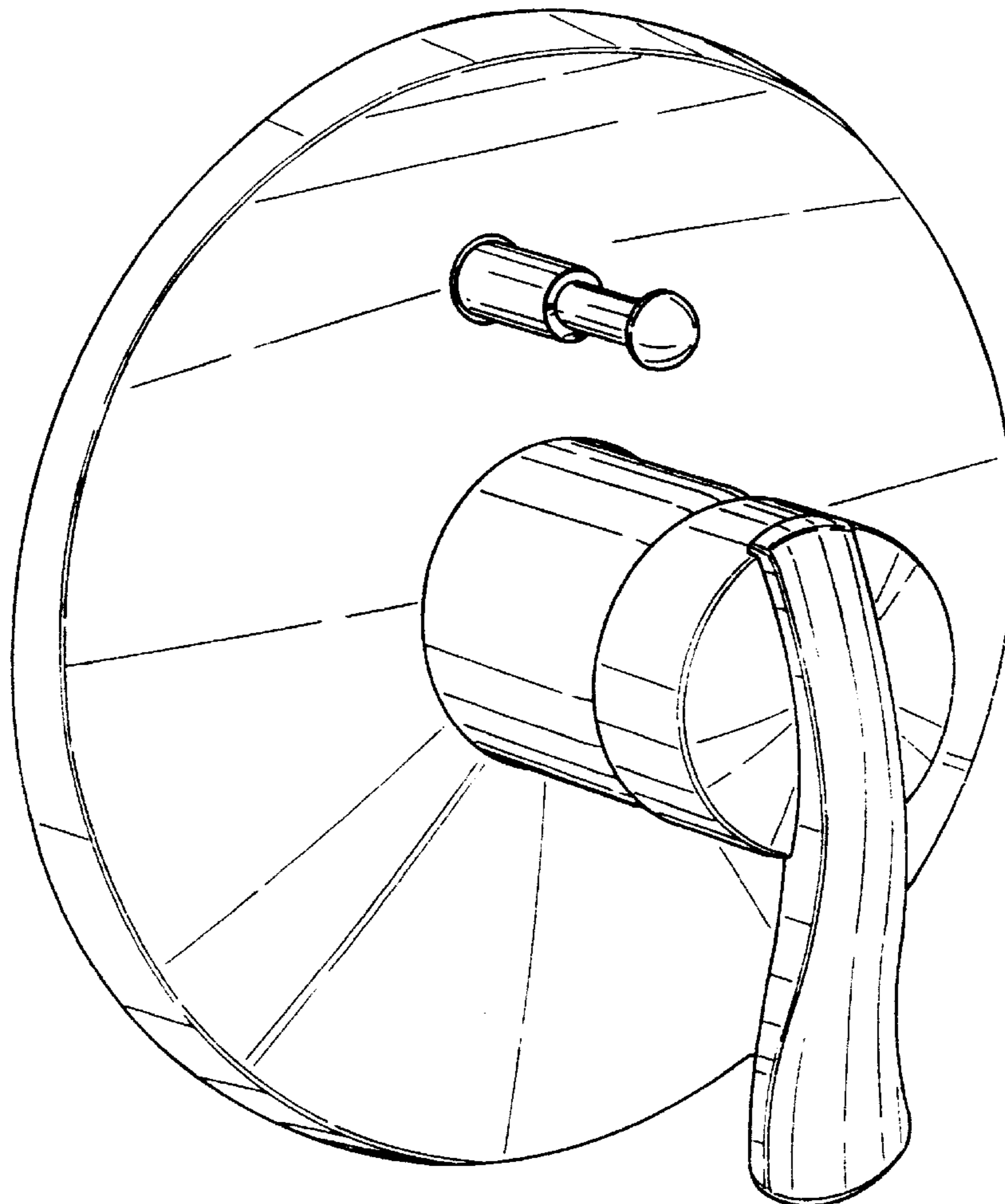
[57] CLAIM

The ornamental design for a wall-mount single-lever faucet head and escutcheon, shown and described.

DESCRIPTION

FIG. 1 is a top, front, left-side perspective view of a wall-mount single-lever faucet head and escutcheon showing my new design;
 FIG. 2 is a bottom-plan view thereof;
 FIG. 3 is a left side-elevation view thereof, the right side being mirror symmetrical thereto;
 FIG. 4 is a front elevational view thereof;
 FIG. 5 is a top view thereof; and,
 FIG. 6 is a rear view thereof.

1 Claim, 3 Drawing Sheets



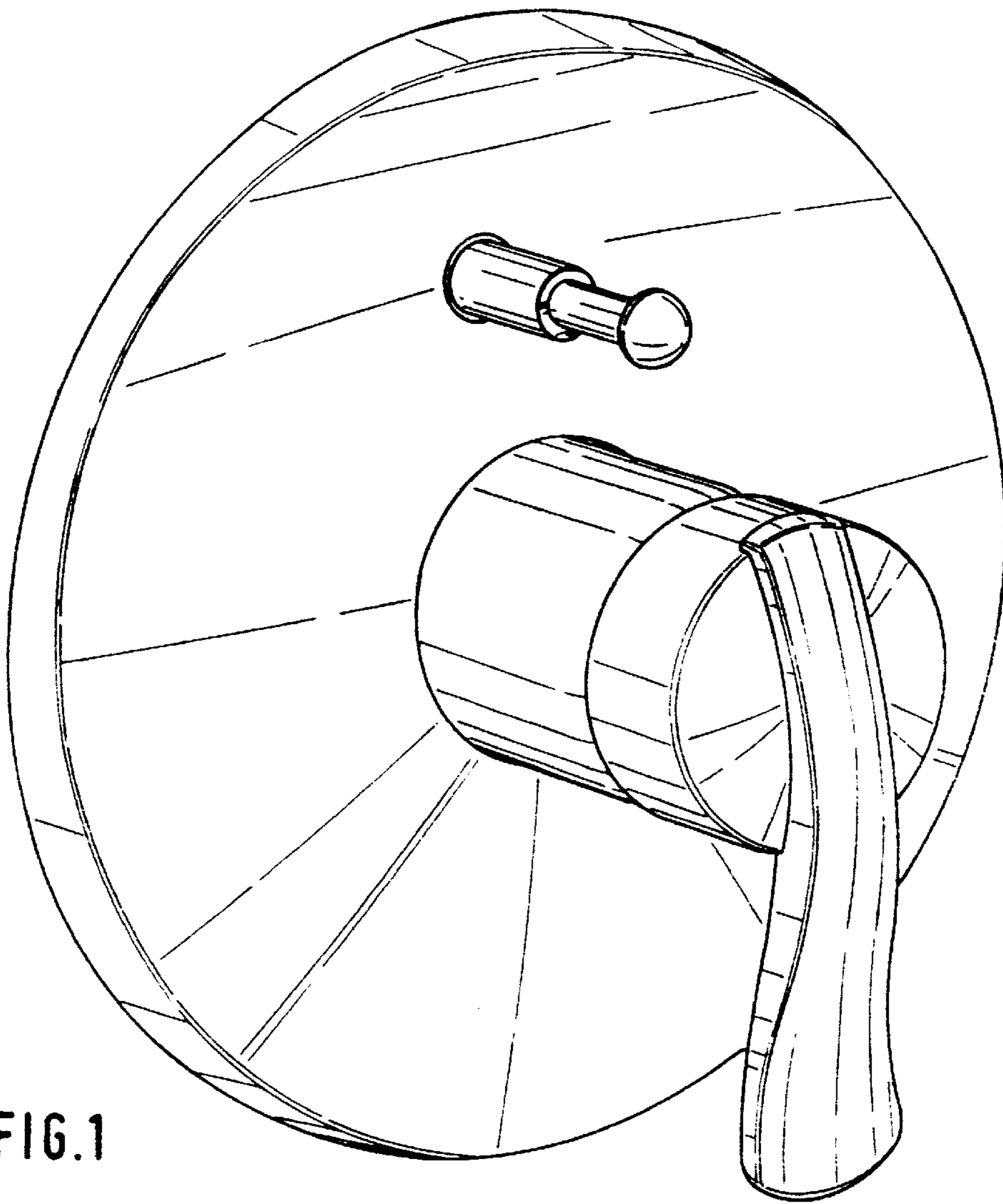


FIG. 1

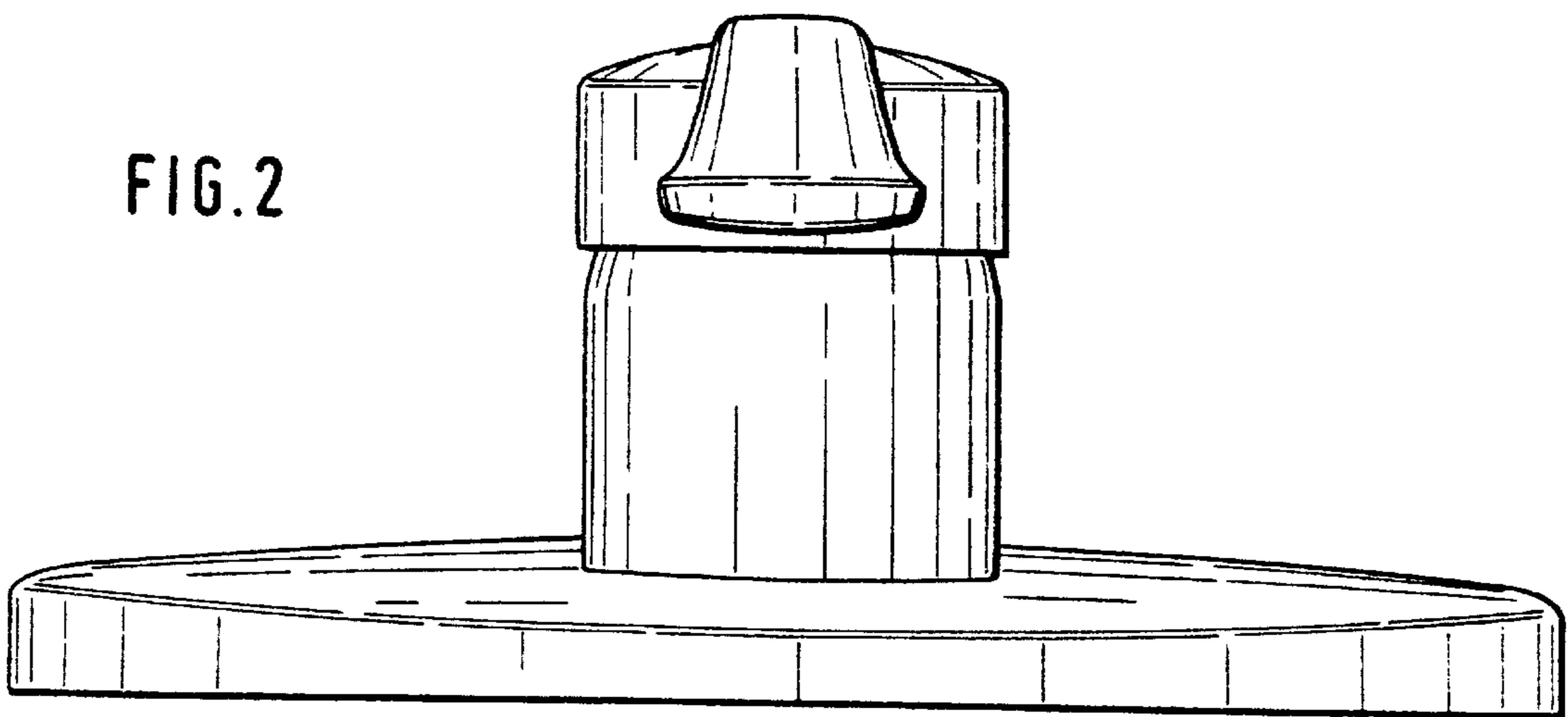


FIG. 2

FIG. 4

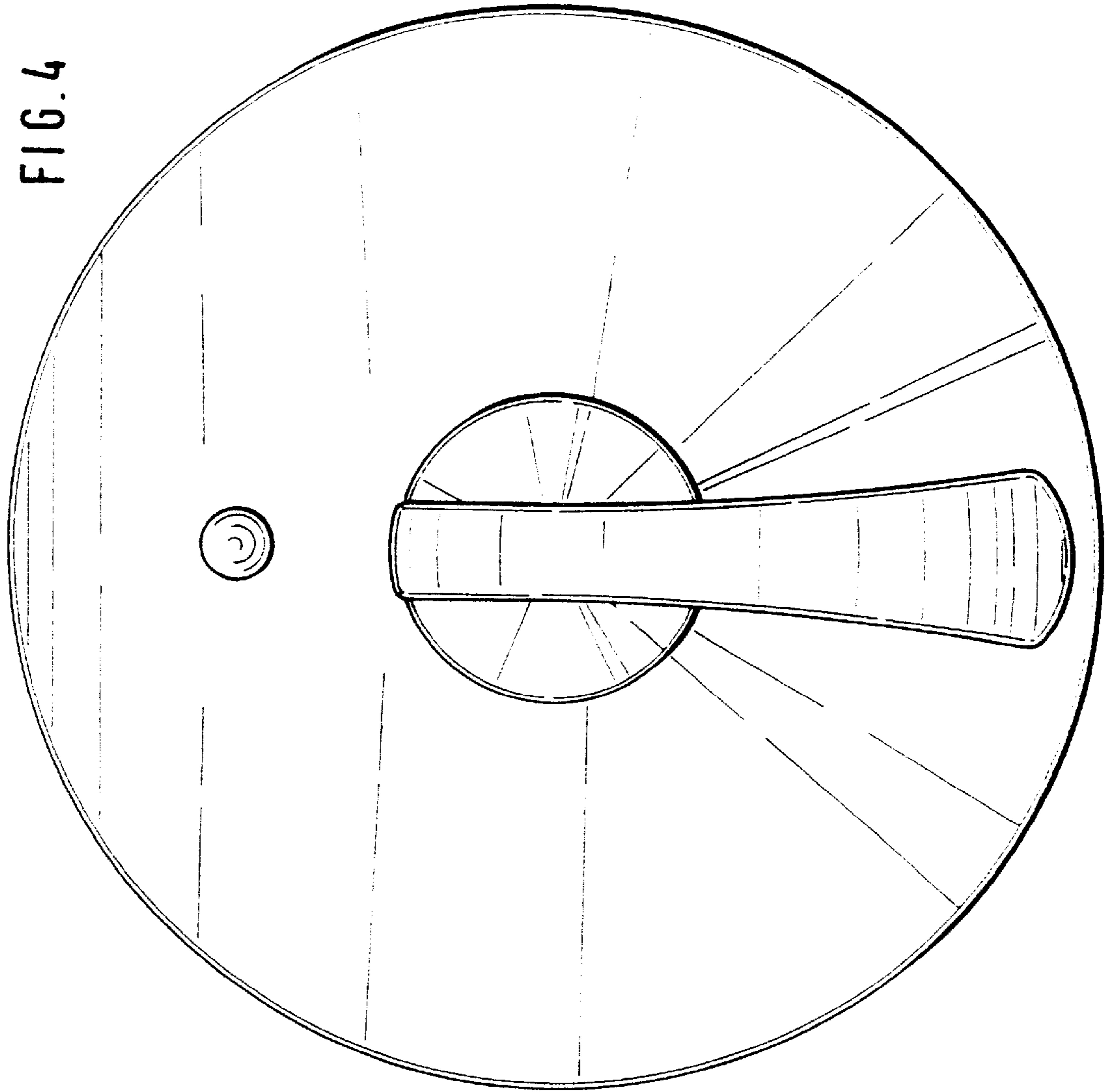


FIG. 3

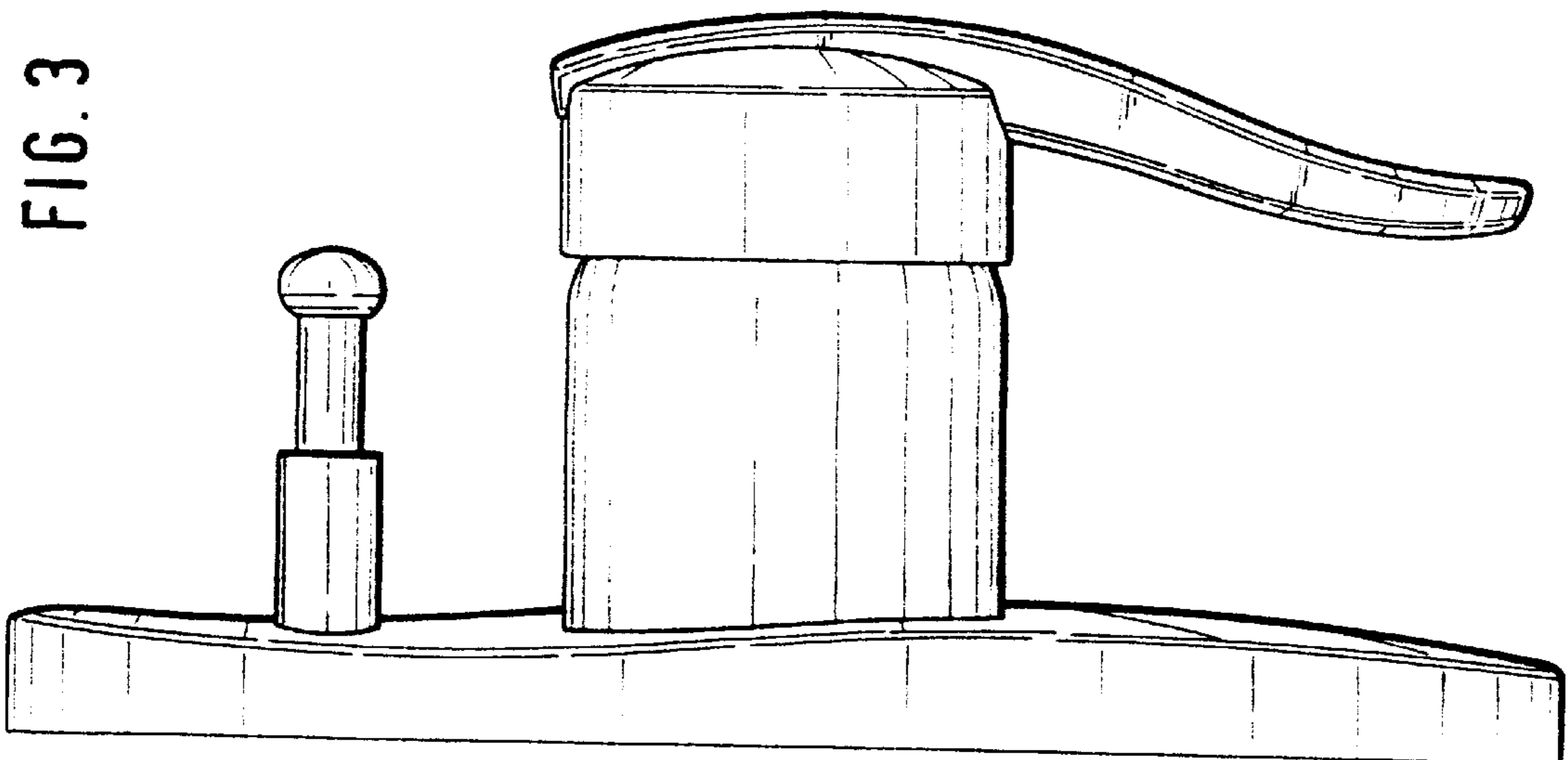


FIG. 5

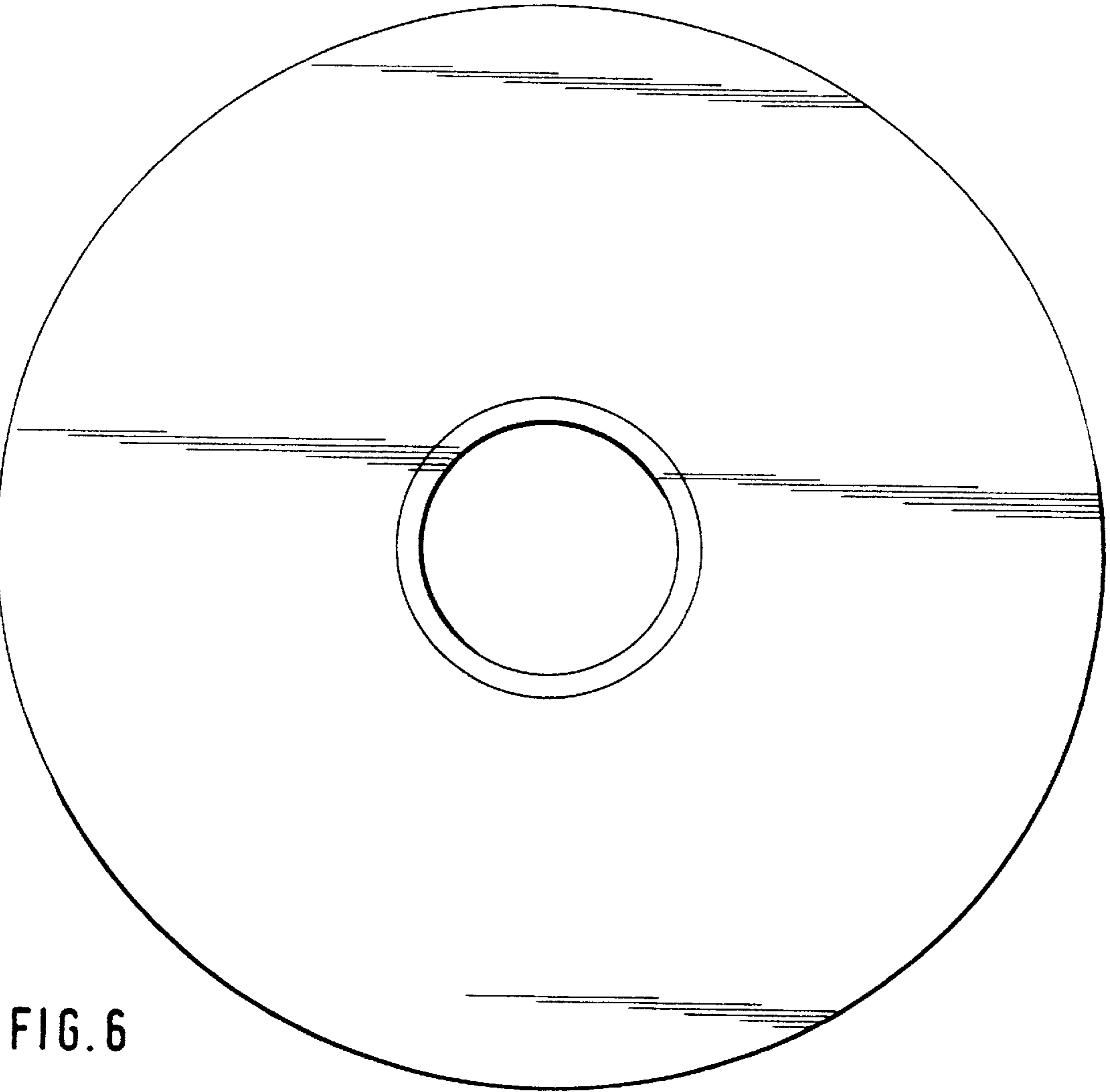
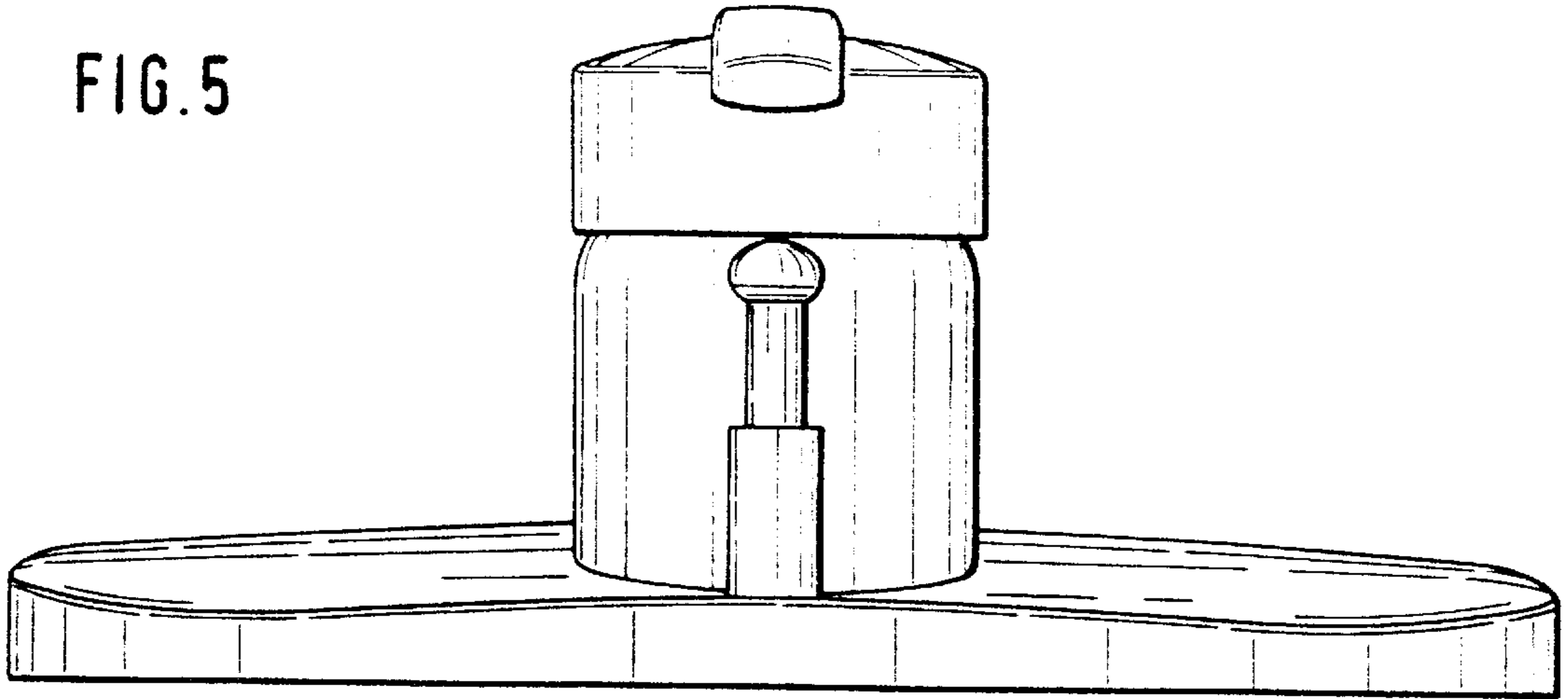


FIG. 6