



US00D417258S

United States Patent [19]
Green et al.

[11] **Patent Number: Des. 417,258**
[45] **Date of Patent: ** Nov. 30, 1999**

[54] **SHOWER HEAD**

[75] Inventors: **Eric D. Green**, Cleveland Heights;
Eduardo Milrud, Chagrin Falls, both
of Ohio

[73] Assignee: **Moen Incorporated**, North Olmsted,
Ohio

[**] Term: **14 Years**

[21] Appl. No.: **29/100,340**

[22] Filed: **Feb. 9, 1999**

[51] **LOC (6) Cl.** **23-01**

[52] **U.S. Cl.** **D23/229**

[58] **Field of Search** D23/213, 228-230;
239/394, 460-462, 556, 560

[56] **References Cited**

U.S. PATENT DOCUMENTS

- D. 115,795 7/1939 Reinecke .
- D. 154,209 6/1949 Meirink .
- D. 206,043 10/1966 Fiorentino et al. .
- D. 282,199 1/1986 Shames et al. .
- D. 298,048 10/1988 Nelson D23/229
- D. 299,050 12/1988 Gonzalez D23/229
- D. 313,833 1/1991 Presman .
- D. 323,545 1/1992 Ward .
- D. 341,647 11/1993 Bengtson .
- D. 351,016 9/1994 Warshawsky .
- D. 355,951 2/1995 Ran .
- D. 363,114 10/1995 Andrus .

- D. 374,065 9/1996 Chan .
- D. 375,541 11/1996 Michaluk .
- 2,049,141 7/1936 Schneider .
- 2,608,443 8/1952 Hinderer 239/460
- 2,948,477 8/1960 Fraser .
- 3,383,051 5/1968 Fiorentino 239/460
- 3,416,734 12/1968 Nelson 239/460
- 3,647,145 3/1972 Nelson 239/460
- 4,272,022 6/1981 Evans 239/460

OTHER PUBLICATIONS

Craftech catalog; item #02-077 shower head, Aug. 1995.

Primary Examiner—Robin V. Taylor
Attorney, Agent, or Firm—Dorn, McEachran, Jambor & Keating

[57] **CLAIM**

The ornamental design for a shower head, as shown and described.

DESCRIPTION

FIG. 1 is a front perspective view of a shower head showing our new design;
FIG. 2 is a rear perspective view thereof;
FIG. 3 is a front view thereof;
FIG. 4 is a right side view thereof, with the left side view being a mirror image;
FIG. 5 is a top view thereof, with the bottom view being a mirror image; and,
FIG. 6 is a rear view thereof.

1 Claim, 2 Drawing Sheets

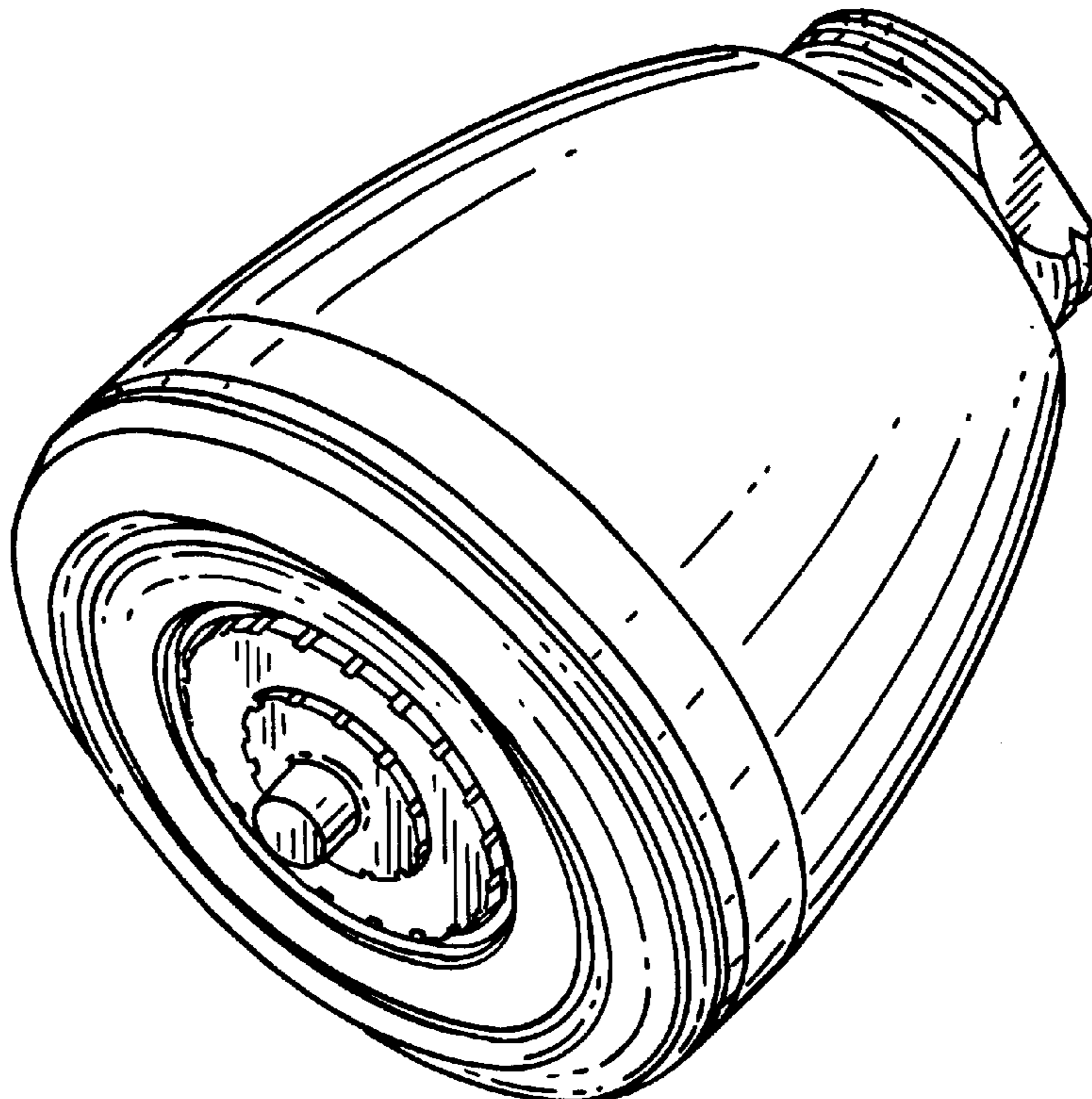


FIG. 1.

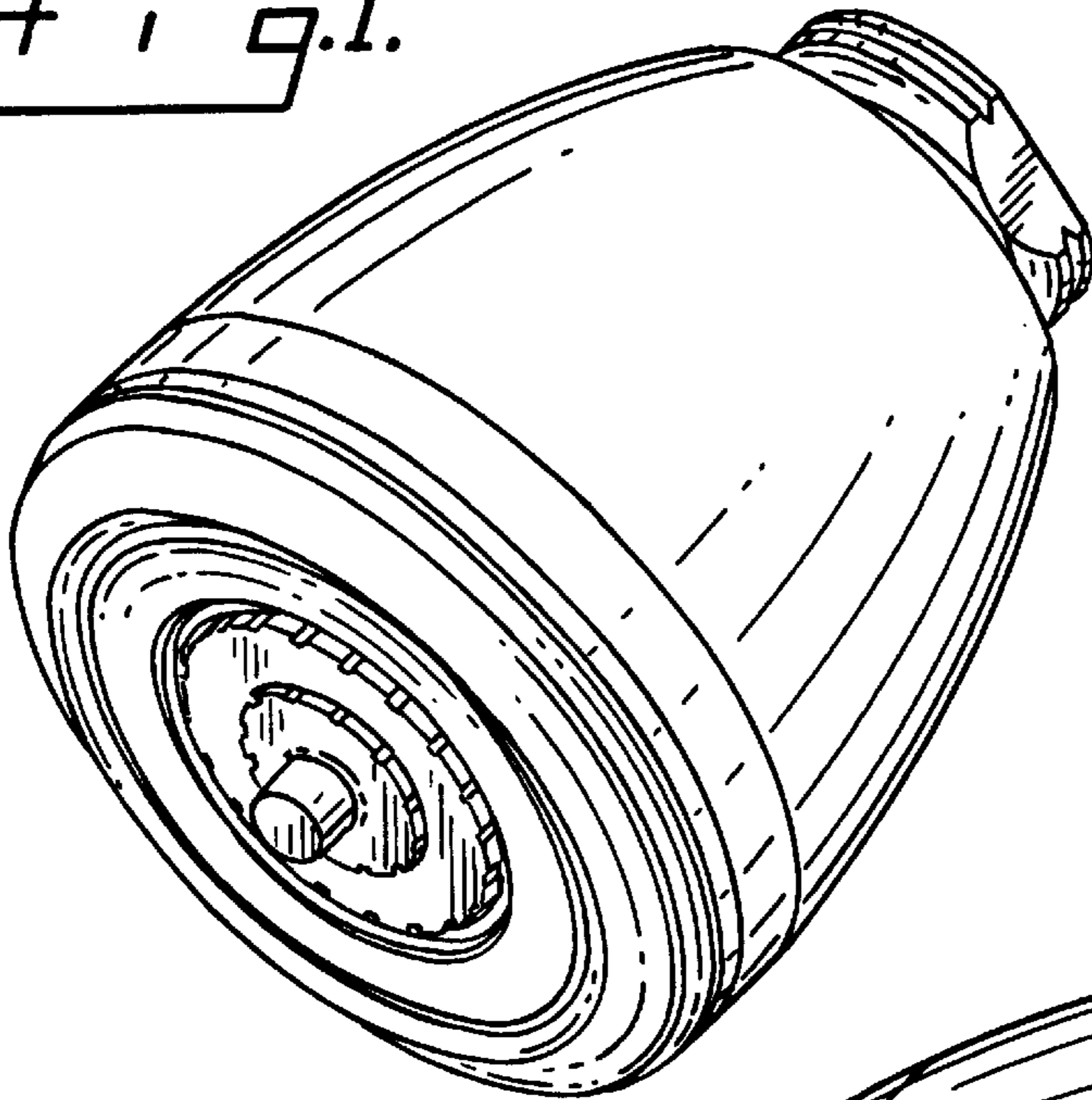


FIG. 2.

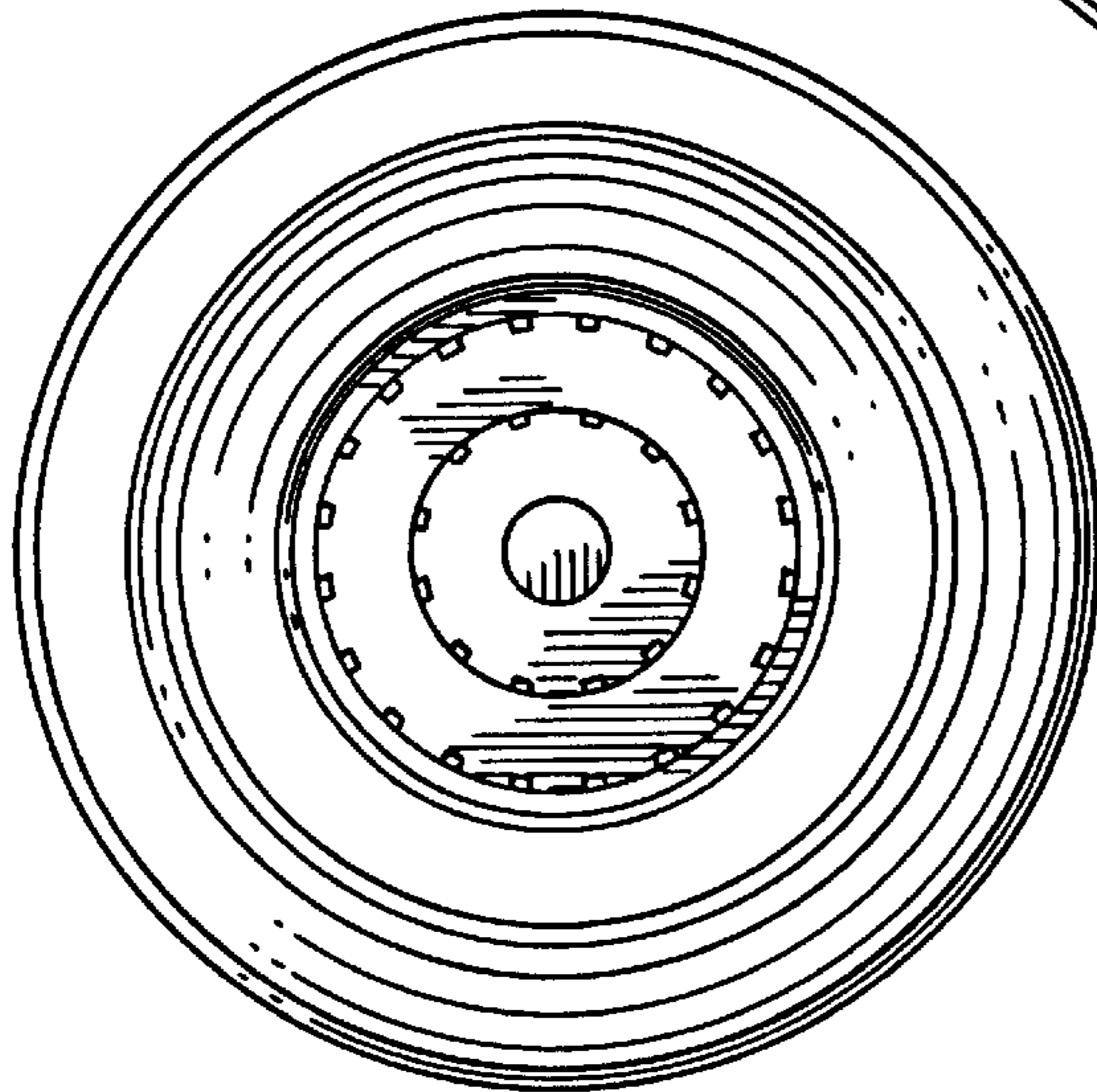
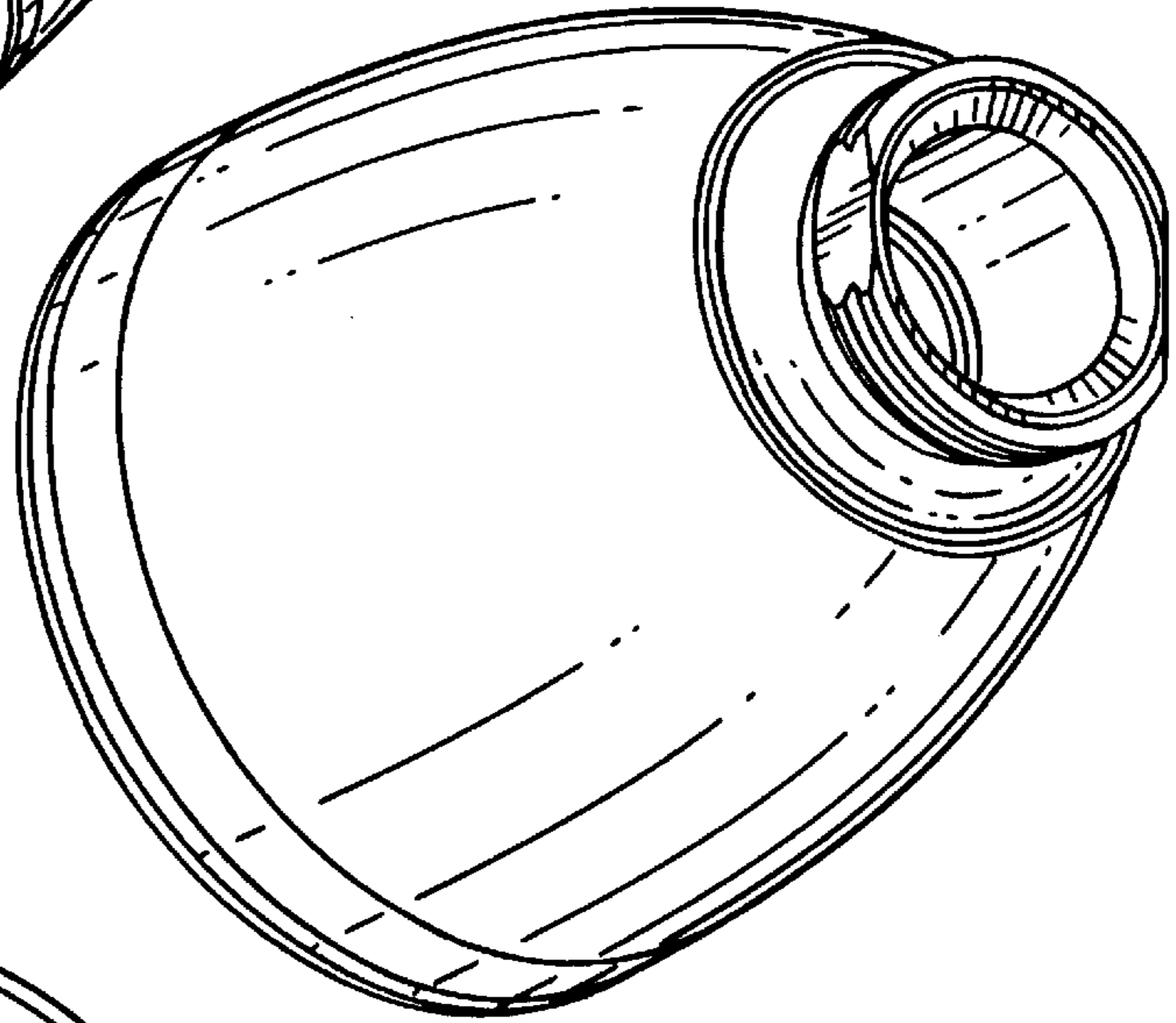


FIG. 3.

FIG. 4.

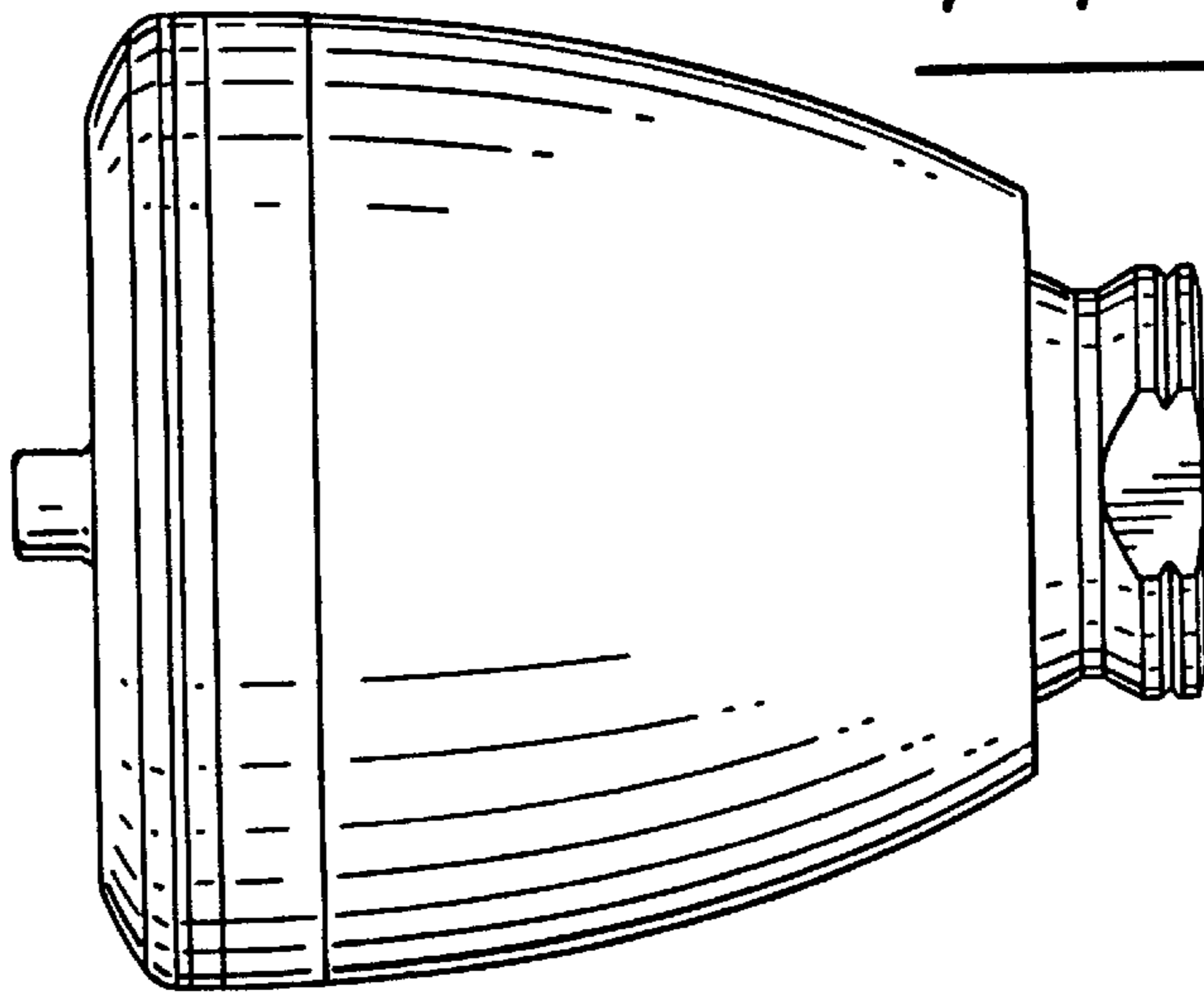


FIG. 5.

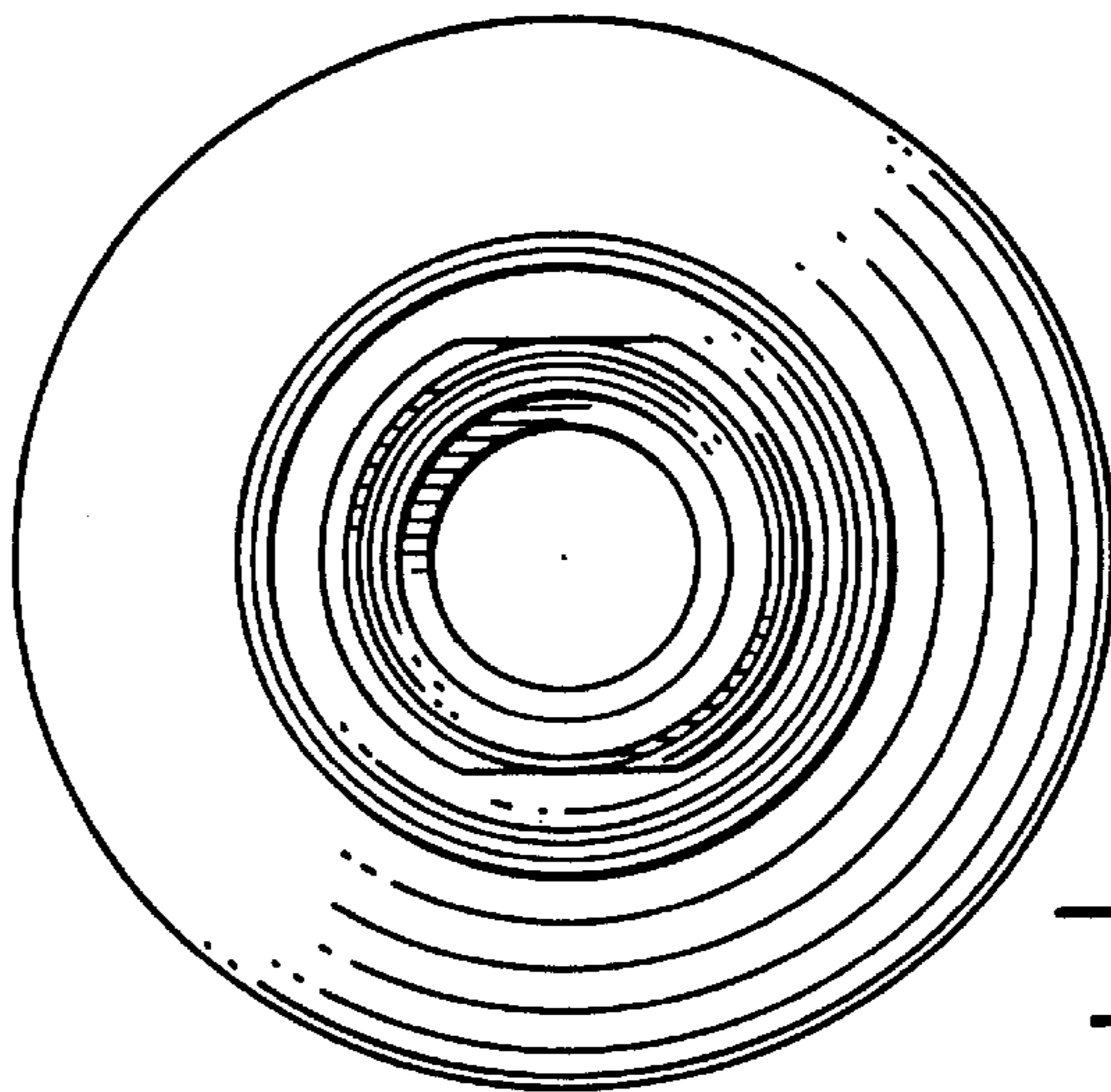
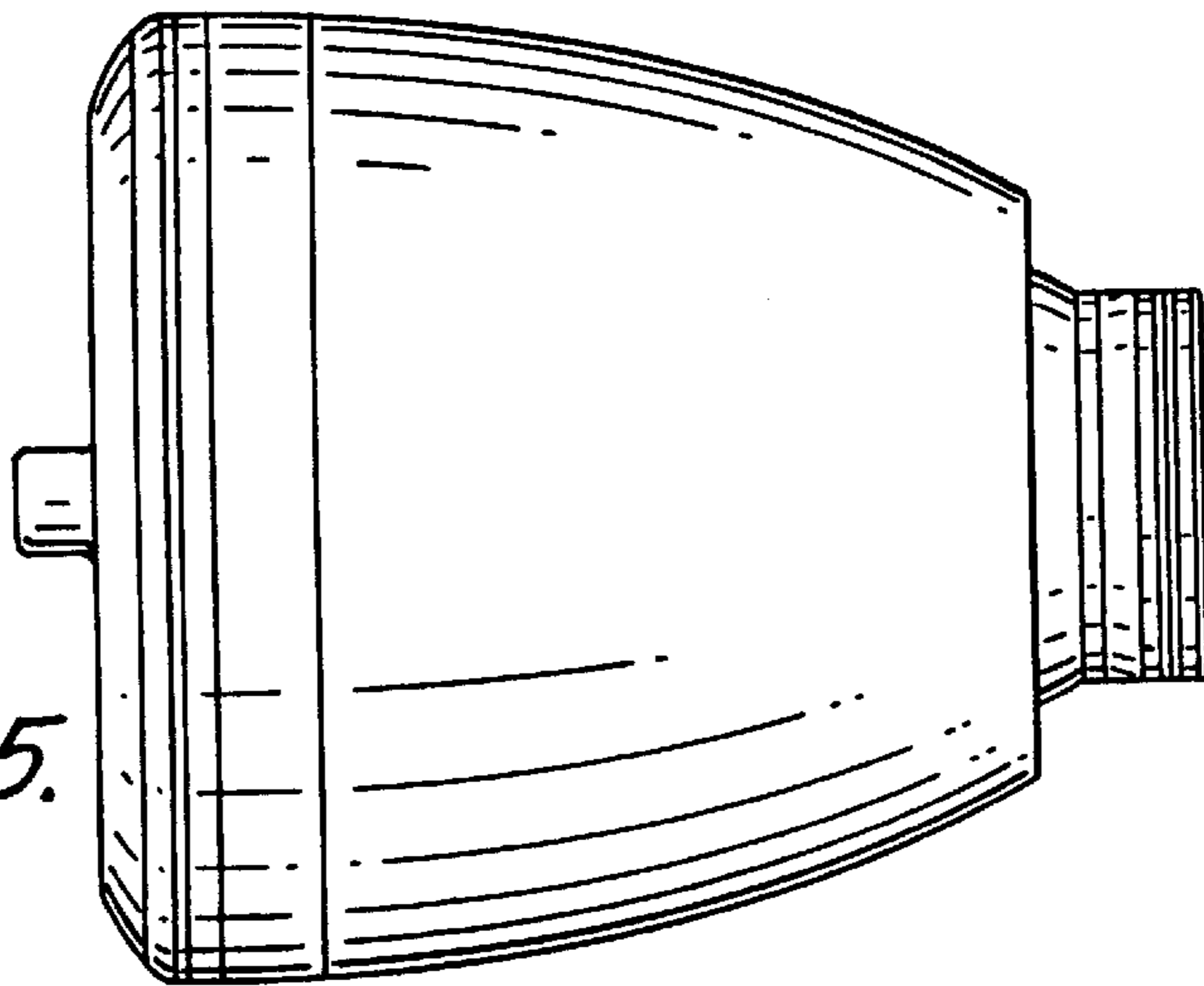


FIG. 6.