



US00D417252S

United States Patent [19] Kay

[11] **Patent Number: Des. 417,252**

[45] **Date of Patent: ** Nov. 30, 1999**

[54] **COMPENSATOR**

5,698,810 12/1997 Rose 89/14.3

[76] Inventor: **Ira M. Kay**, 7553 Gary Rd., Manassas, Va. 20109

Primary Examiner—Louis S. Zarfes
Assistant Examiner—Monica A. Weingart
Attorney, Agent, or Firm—Shlesinger, Arkwright & Garvey LLP

[**] Term: **14 Years**

[21] Appl. No.: **29/079,884**

[57] **CLAIM**

[22] Filed: **Nov. 25, 1997**

The ornamental design for a compensator, as shown and described.

[51] **LOC (6) Cl.** **22-01**

[52] **U.S. Cl.** **D22/108; D22/100; D22/199**

[58] **Field of Search** **D22/100, 108, D22/199; 89/14.3**

DESCRIPTION

[56] **References Cited**

U.S. PATENT DOCUMENTS

D. 285,235	8/1986	Cellini	D22/108
D. 285,238	8/1986	Cellini	D22/108
D. 296,350	6/1988	Cellini	D22/108
2,313,669	3/1943	Reising	89/14.3
2,770,904	11/1956	Weiss	89/14.3
2,935,000	5/1960	Mowrey	89/14.3

FIG. 1 is a perspective view of a compensator showing my new design;

FIG. 2 is a top view shown on a reduced scale;

FIG. 3 is a cross-sectional view taken along line 3—3 in FIG. 2;

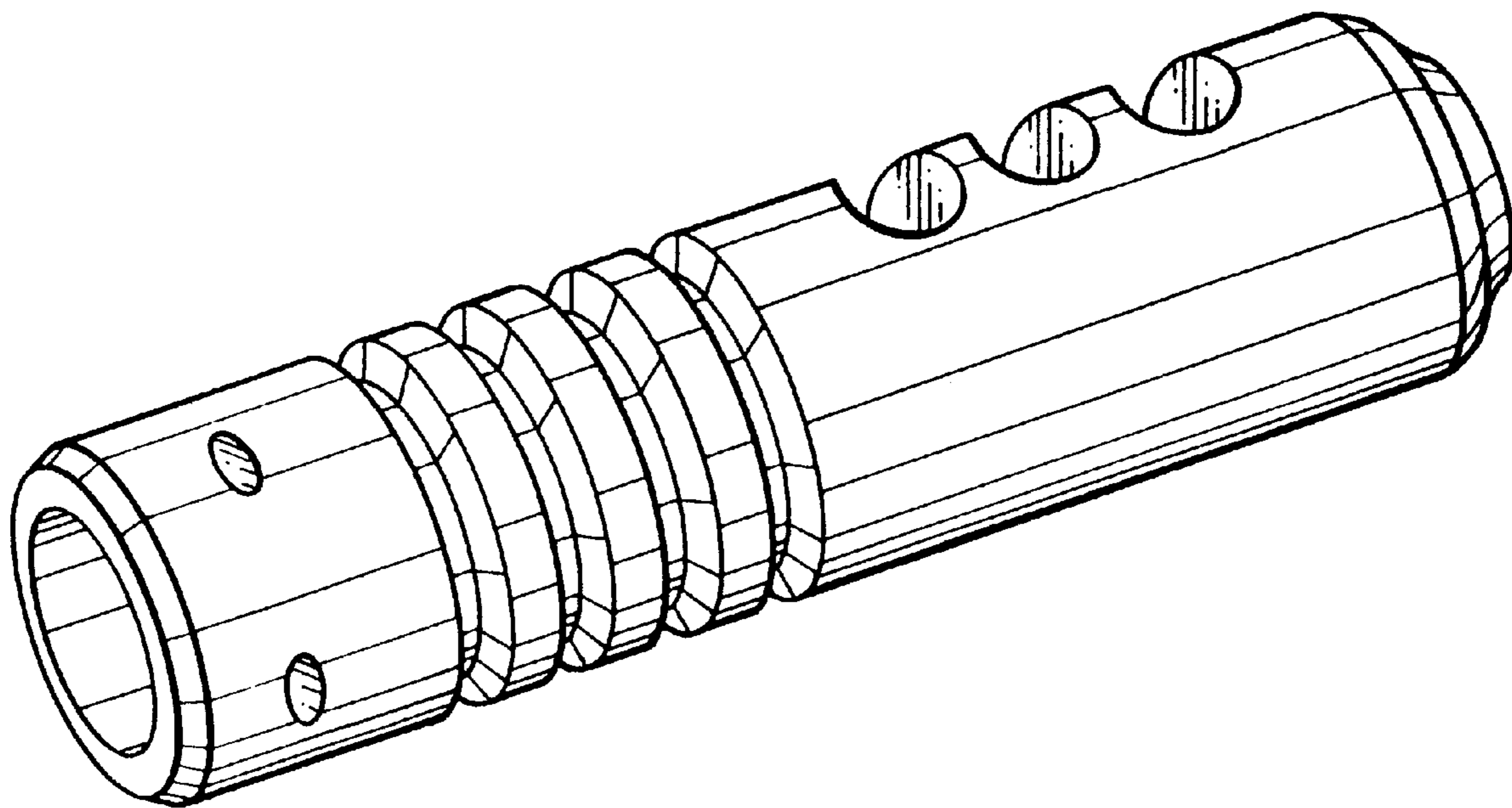
FIG. 4 is a bottom view of FIG. 2;

FIG. 5 is a front elevational view of FIG. 2;

FIG. 6 is a rear elevational view of FIG. 2; and,

FIG. 7 is a side elevational view of FIG. 2.

1 Claim, 2 Drawing Sheets



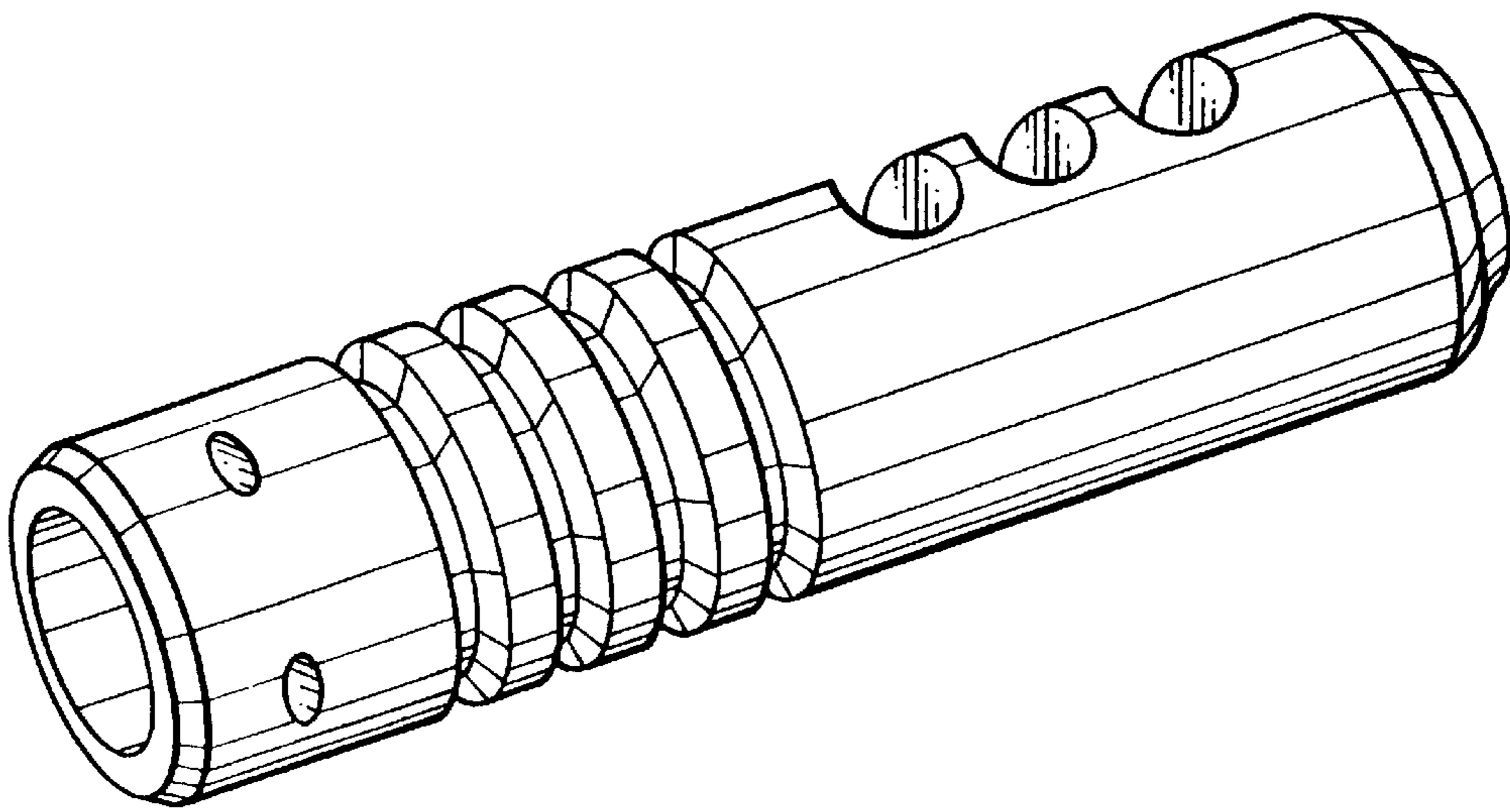


FIG. 1

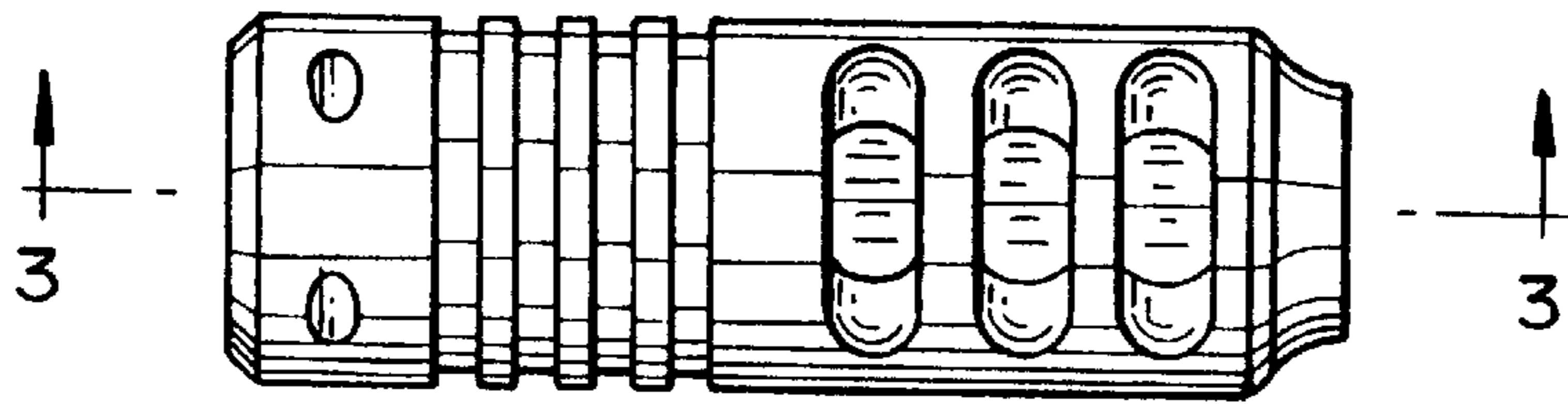


FIG. 2

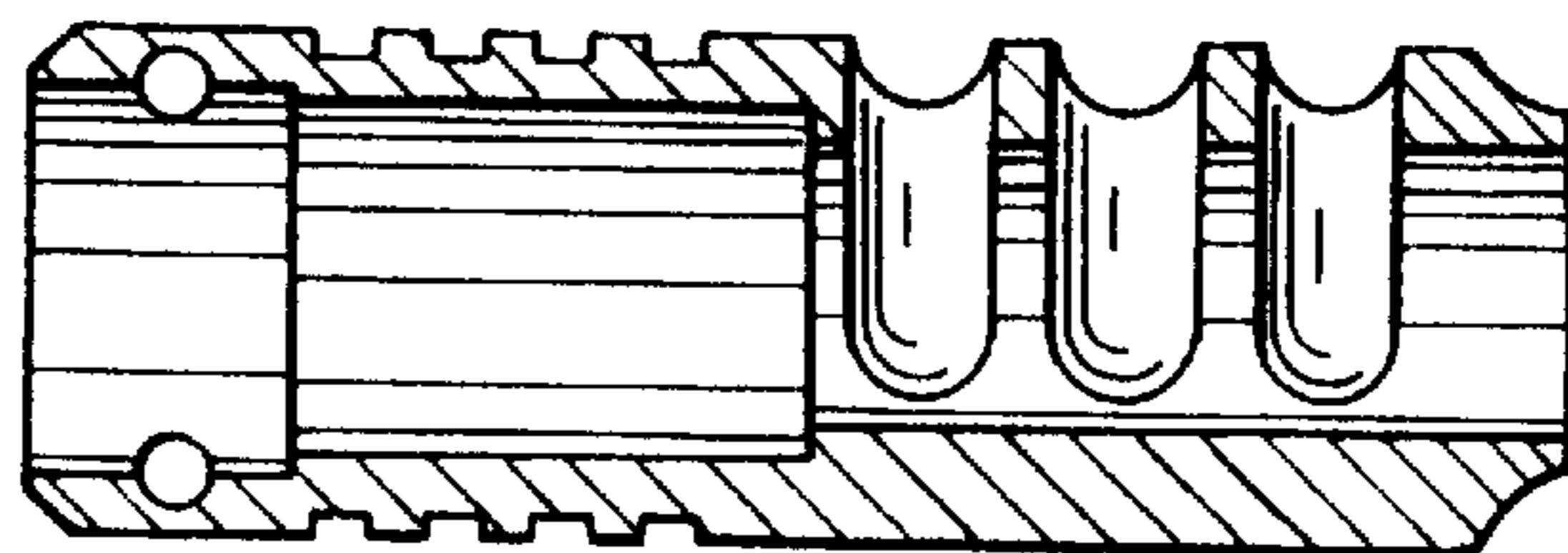


FIG. 3

FIG. 4

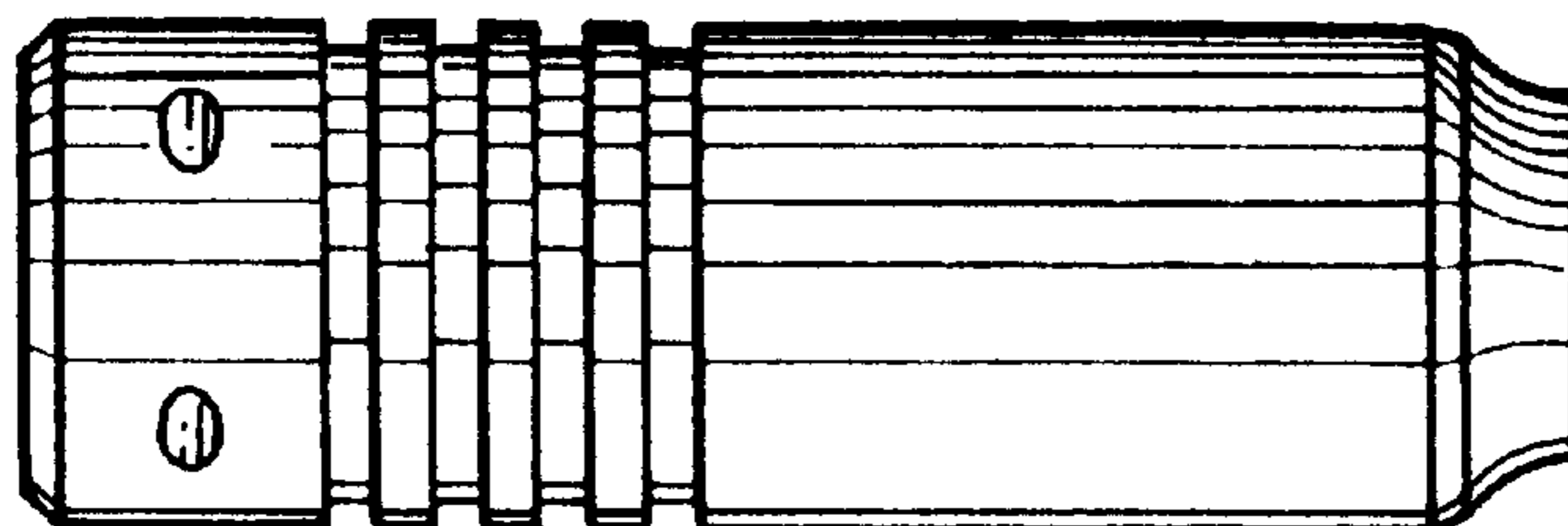


FIG. 5

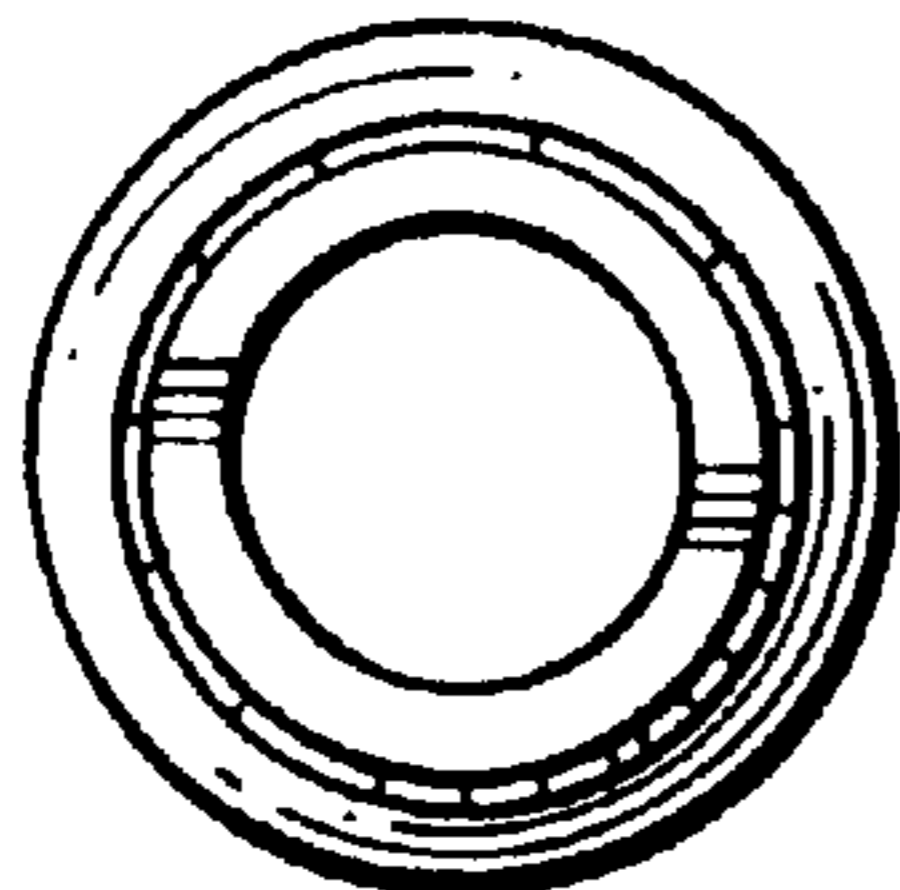


FIG. 6

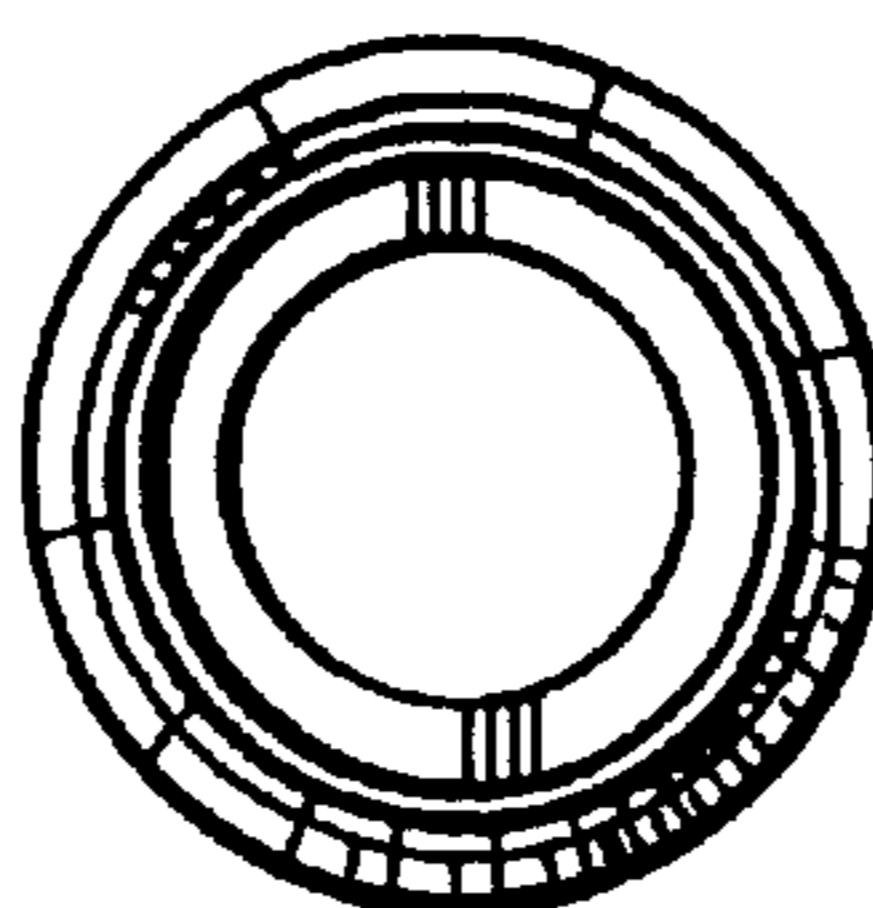


FIG. 7

