



US00D417251S

United States Patent [19]
Francisco

[11] **Patent Number: Des. 417,251**

[45] **Date of Patent: ** Nov. 30, 1999**

[54] **GOLF SWING AID**

[76] Inventor: **Kent Francisco**, 29820 Baden Pl.,
Malibu, Calif. 90265

[**] Term: **14 Years**

[21] Appl. No.: **29/091,408**

[22] Filed: **Jul. 29, 1998**

[51] **LOC (6) Cl.** **21-02**

[52] **U.S. Cl.** **D21/791**

[58] **Field of Search** D21/791; 473/257,
473/258, 259

5,433,445	7/1995	Melancon	273/186.1
5,441,275	8/1995	Yoshishita	473/259
5,467,993	11/1995	Higginson	273/191
5,527,041	6/1996	Terry	473/150
5,628,695	5/1997	Worthington et al.	473/229
5,658,204	8/1997	Nappi	473/229

Primary Examiner—Mitchell I Siegel
Attorney, Agent, or Firm—Cislo & Thomas LLP

[57] **CLAIM**

The ornamental design for a golf swing aid, as shown and described.

DESCRIPTION

FIG. 1 is a perspective view of my golf swing aid, with the adjustable stand, base, and headless golf club shown in phantom;
FIG. 2 is a front view thereof;
FIG. 3 is a rear view thereof;
FIG. 4 is a top view thereof;
FIG. 5 is a bottom view thereof;
FIG. 6 is a right side elevational view thereof; and,
FIG. 7 is a left side elevational view thereof.

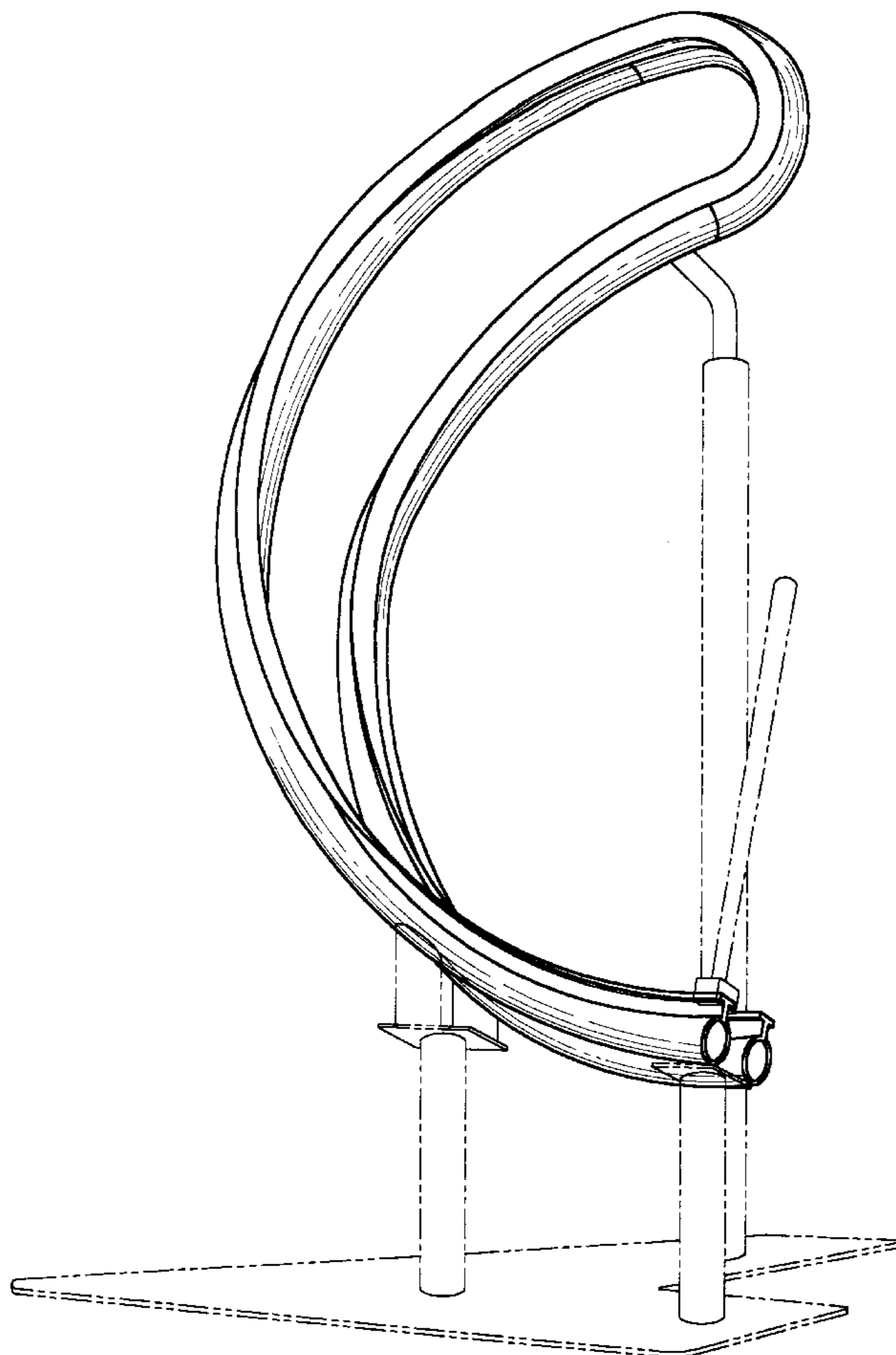
The broken line showing of the adjustable stand, base and headless golf club is for illustrative purposes only and forms no part of the claimed design.

1 Claim, 7 Drawing Sheets

[56] **References Cited**

U.S. PATENT DOCUMENTS

D. 336,121	6/1993	Bellagamba	D21/791
D. 336,673	6/1993	Ohly et al.	D21/791
D. 375,774	11/1996	Harrold	D21/791
3,975,024	8/1976	Stephan	273/193
4,034,991	7/1977	Oppenheimer	273/186
4,071,251	1/1978	Beckish	273/186
4,583,738	4/1986	Fava	273/186
5,125,844	6/1992	Grant et al.	434/252
5,255,921	10/1993	Spence	273/187
5,334,028	8/1994	Melligan	434/252
5,417,420	5/1995	Berg	273/87.2
5,423,548	6/1995	Bricker	273/191



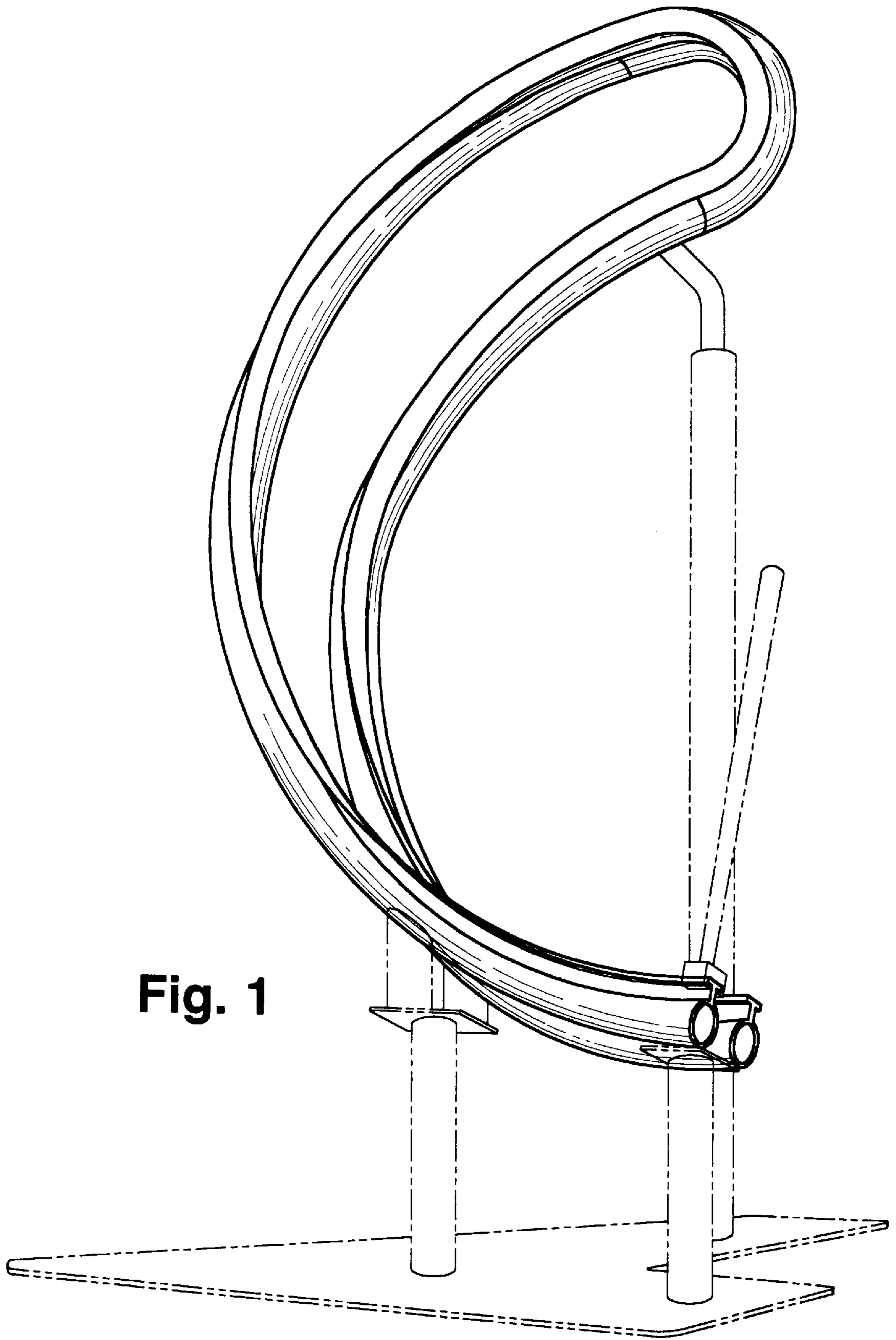


Fig. 1

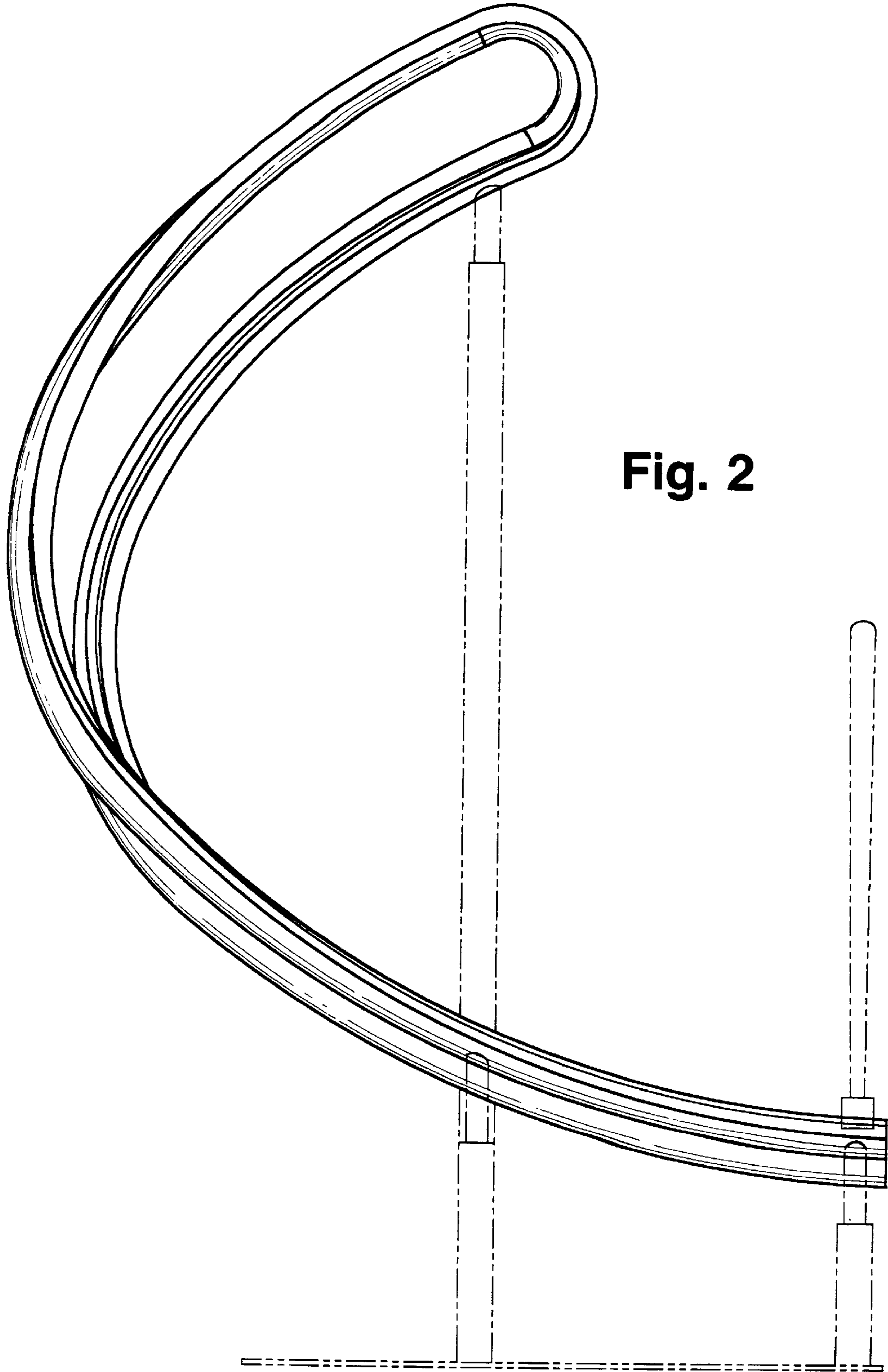
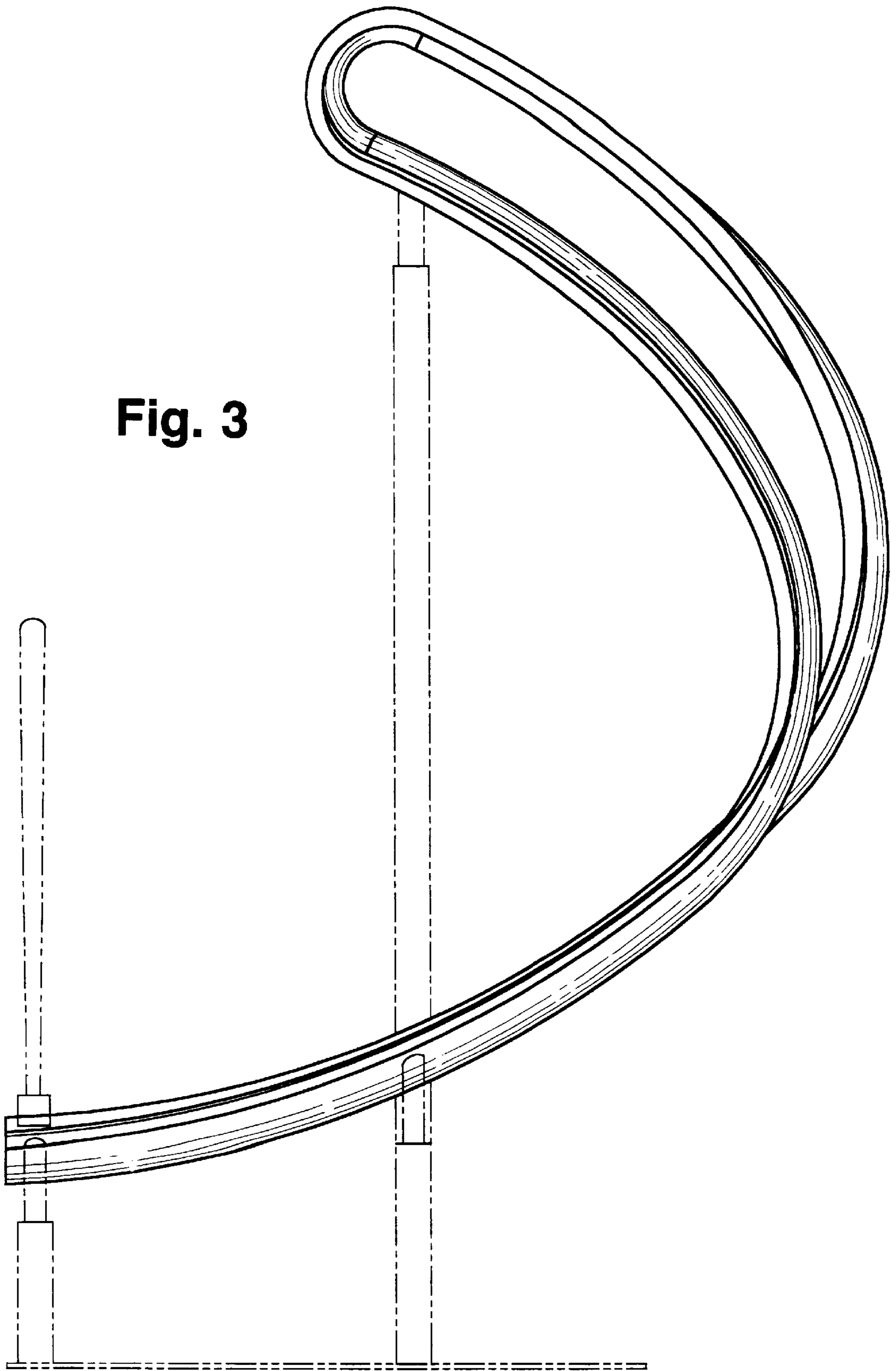


Fig. 2

Fig. 3



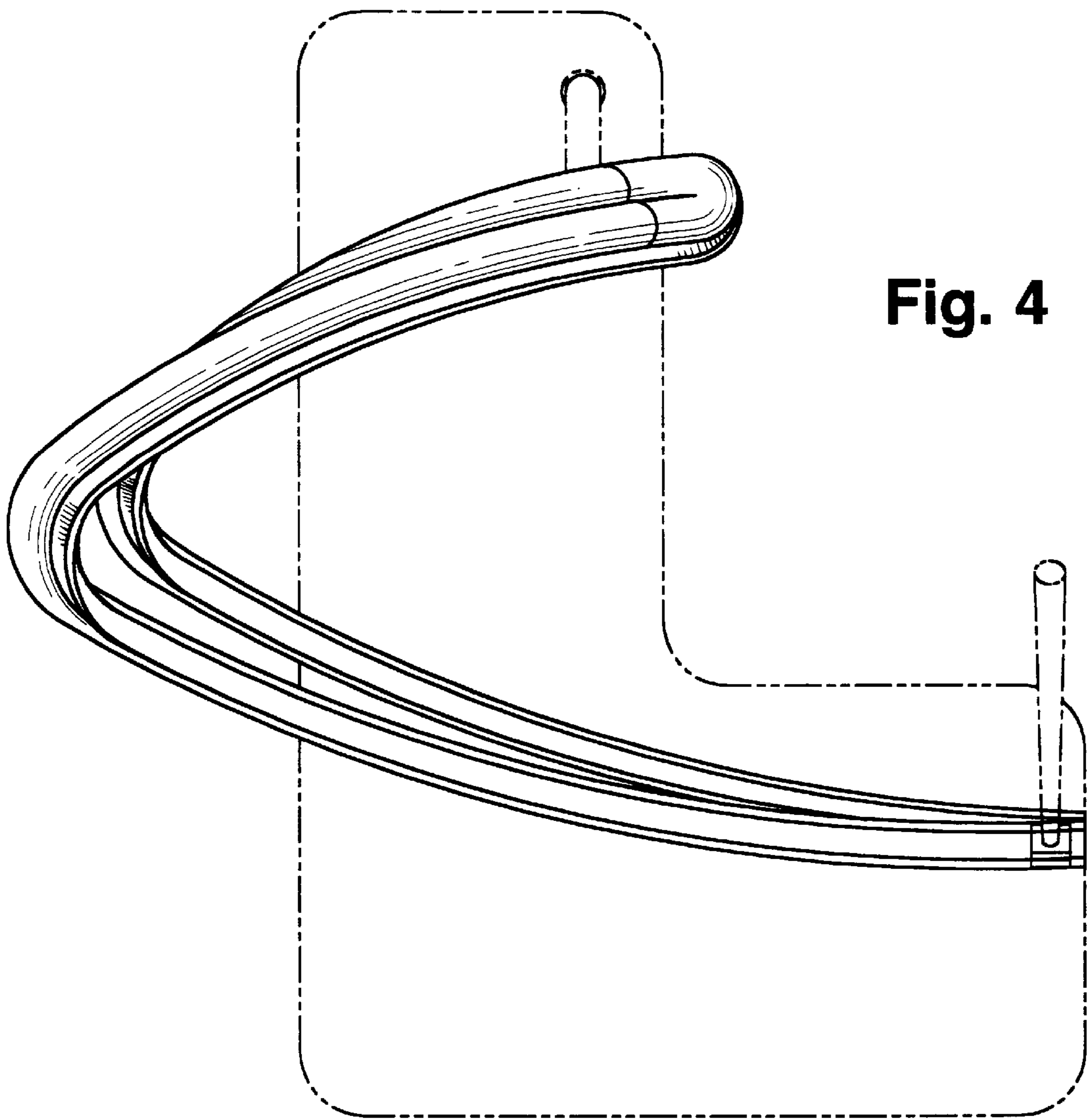


Fig. 4

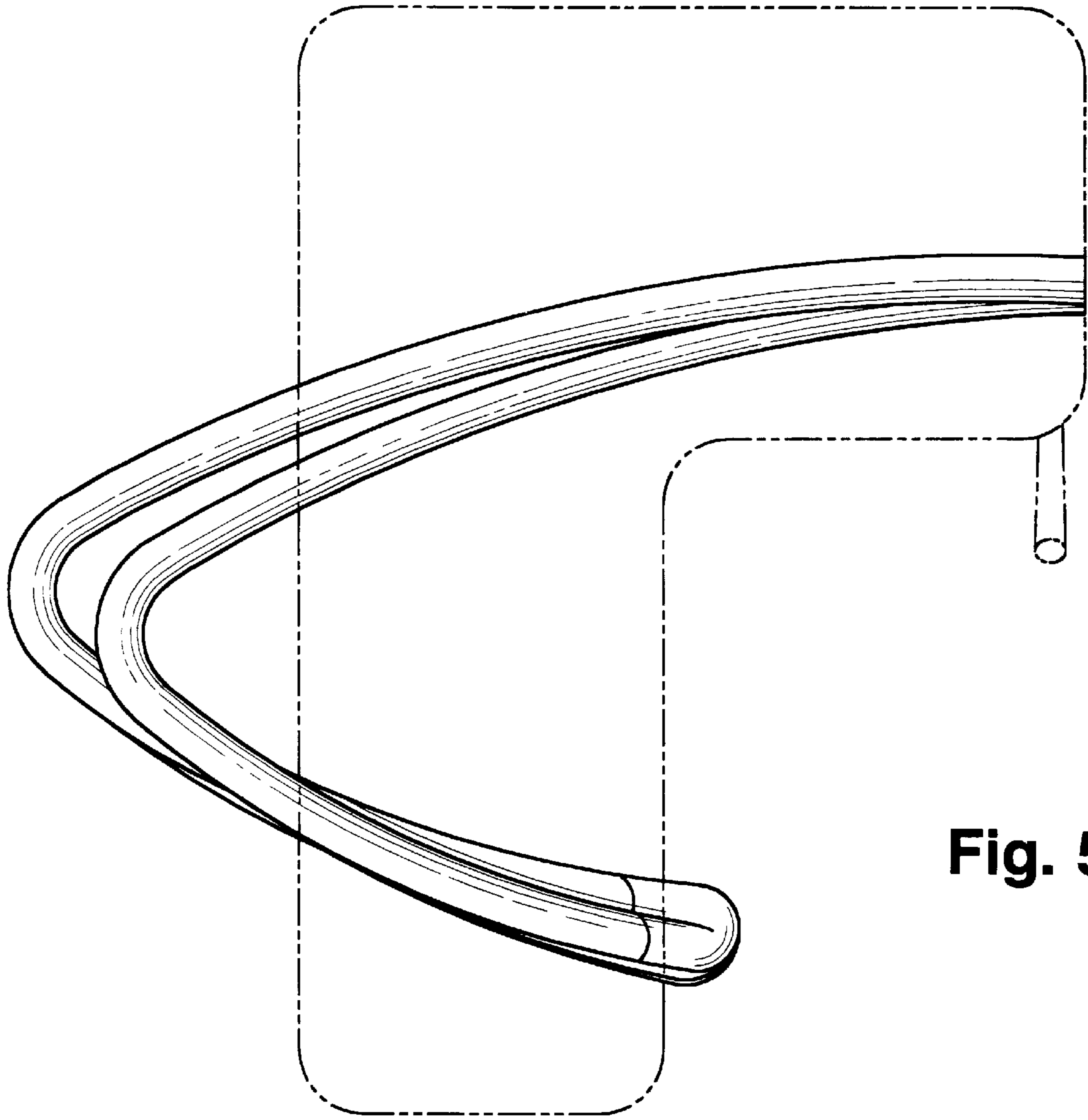
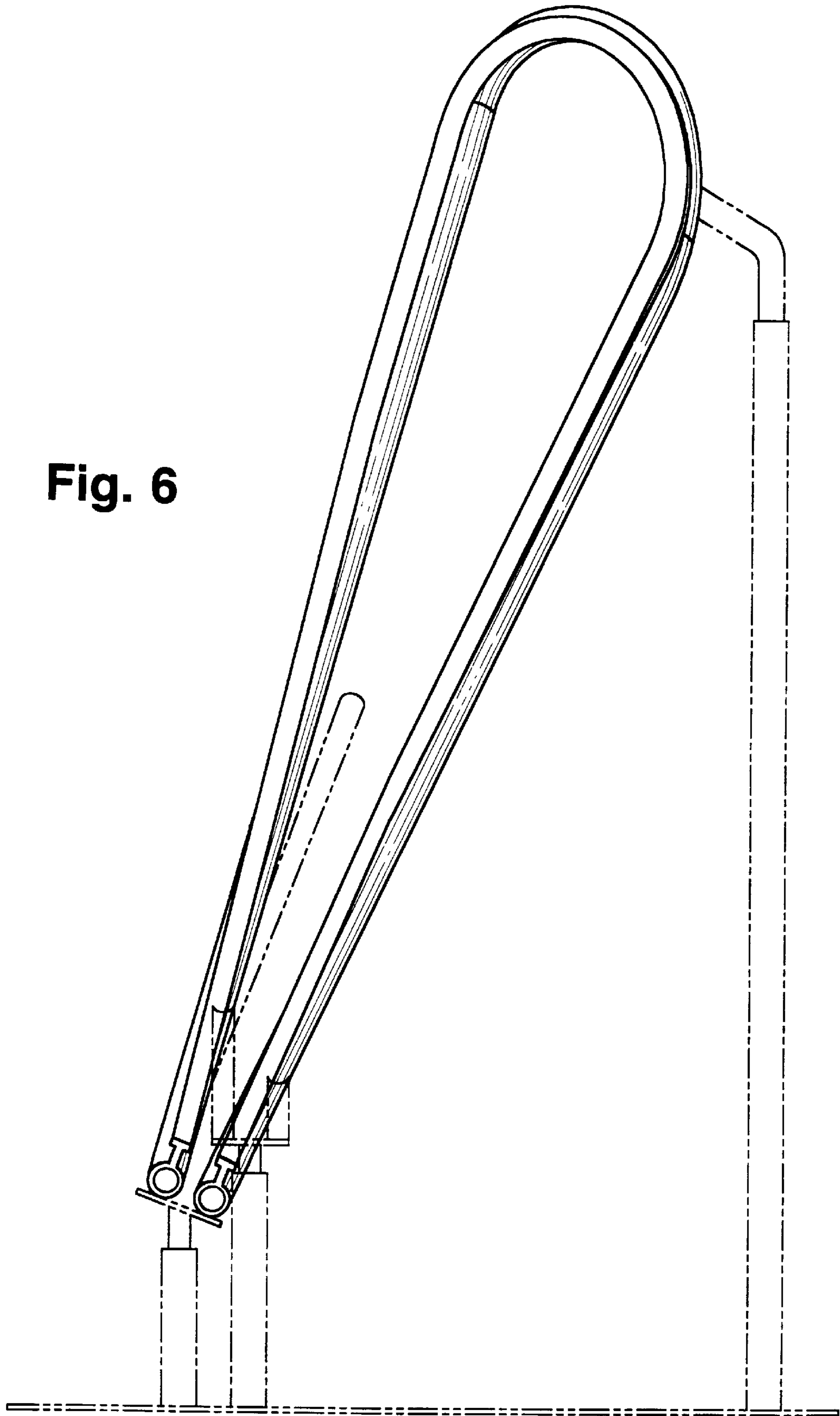


Fig. 5

Fig. 6



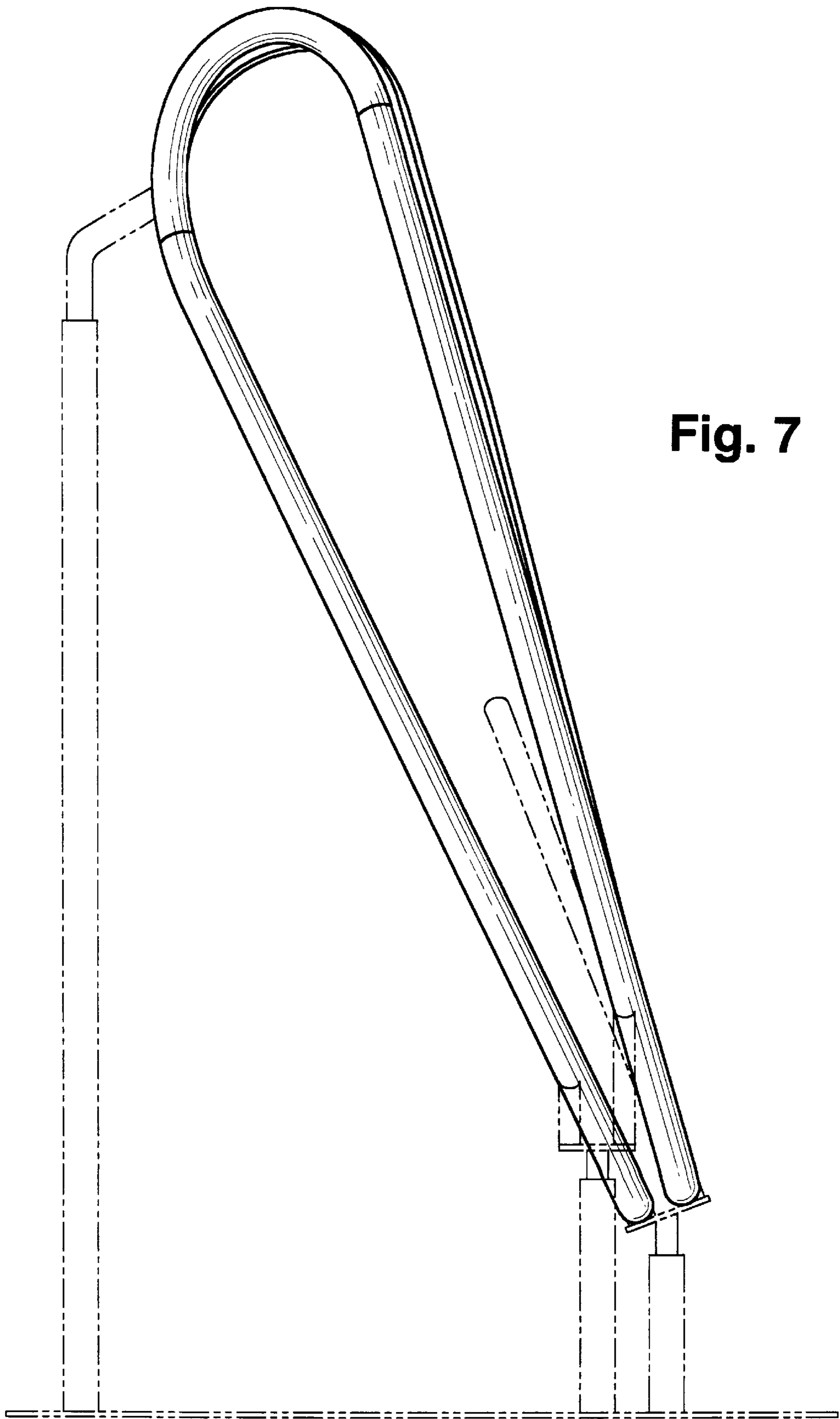


Fig. 7