



US00D417247S

United States Patent [19] Toft

[11] Patent Number: **Des. 417,247**

[45] Date of Patent: **** Nov. 30, 1999**

[54] **TOY BUILDING ELEMENT**

D. 223,944 6/1972 Zbikowski D21/562
2,990,640 7/1961 Burnbaum 446/102

[75] Inventor: **Uffe K. Toft**, Aarhus, Denmark

Primary Examiner—Raphael Barkai

[73] Assignee: **INTERLEGO AG**, Baar, Switzerland

Attorney, Agent, or Firm—Kane, Dalsimer, Sullivan,
Kurucz, Levy, Eisele and Richard, LLP

[**] Term: **14 Years**

[57] CLAIM

[21] Appl. No.: **29/094,998**

The ornamental design for a toy building element, as shown and described.

[22] Filed: **Oct. 14, 1998**

DESCRIPTION

[51] **LOC (6) Cl.** **21-01**

[52] **U.S. Cl.** **D21/503**

[58] **Field of Search** D21/484–505,
D21/561, 562; D8/382; 446/85, 88, 93–96,
102–105, 116, 120–125, 127, 128

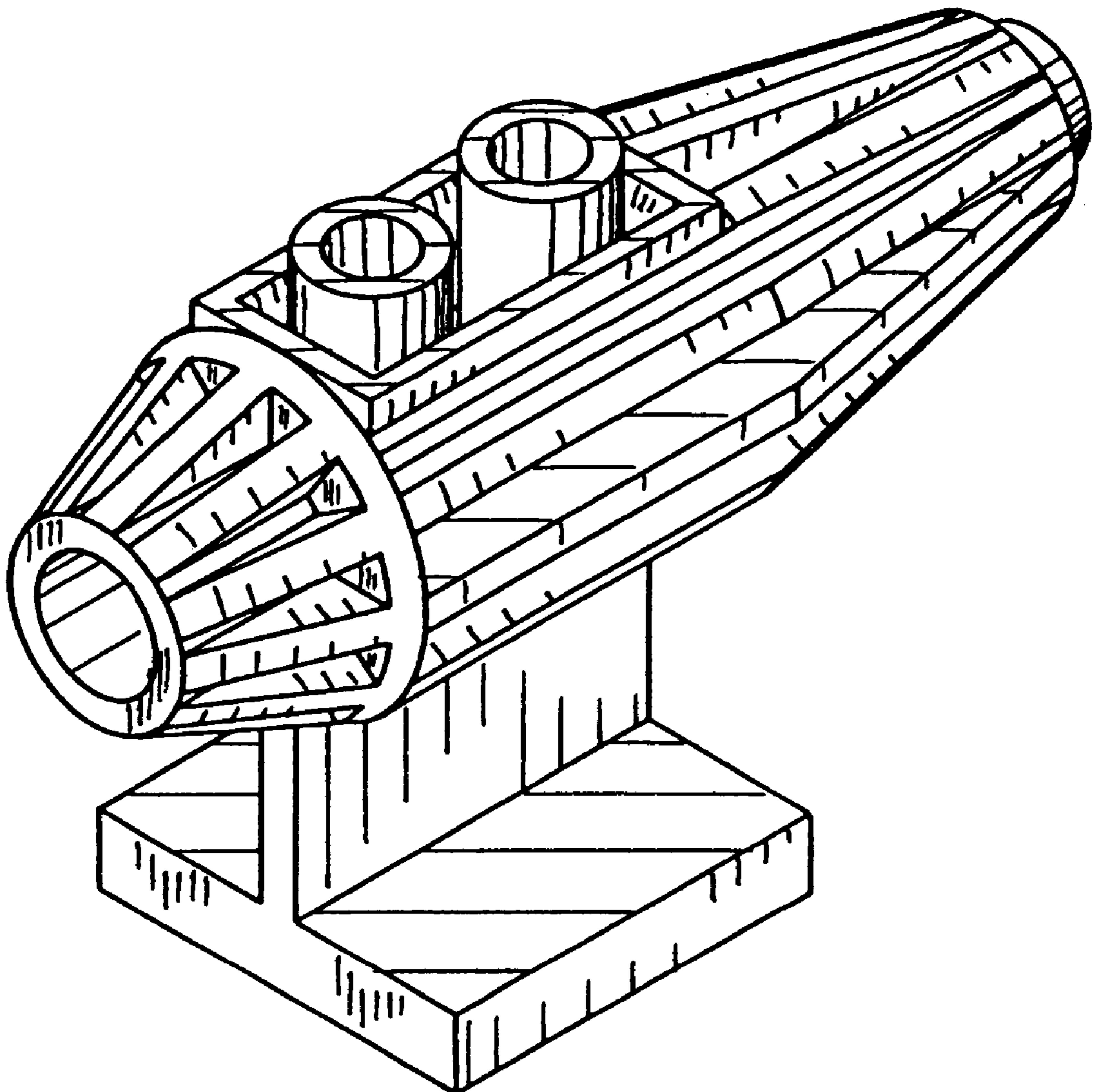
FIG. 1 is a top perspective view of the toy building element, FIG. 2 is a top plan view thereof, FIG. 3 is a front elevational view thereof, FIG. 4 is a bottom plan view thereof, FIG. 5 is a right side elevational view thereof, FIG. 6 is a left side elevational view thereof, FIG. 7 is rear elevational view thereof; and, FIG. 8 is a bottom perspective view thereof.

[56] References Cited

U.S. PATENT DOCUMENTS

D. 187,197 2/1960 Sanger D8/382
D. 208,789 10/1967 Kuhn D21/503

1 Claim, 3 Drawing Sheets



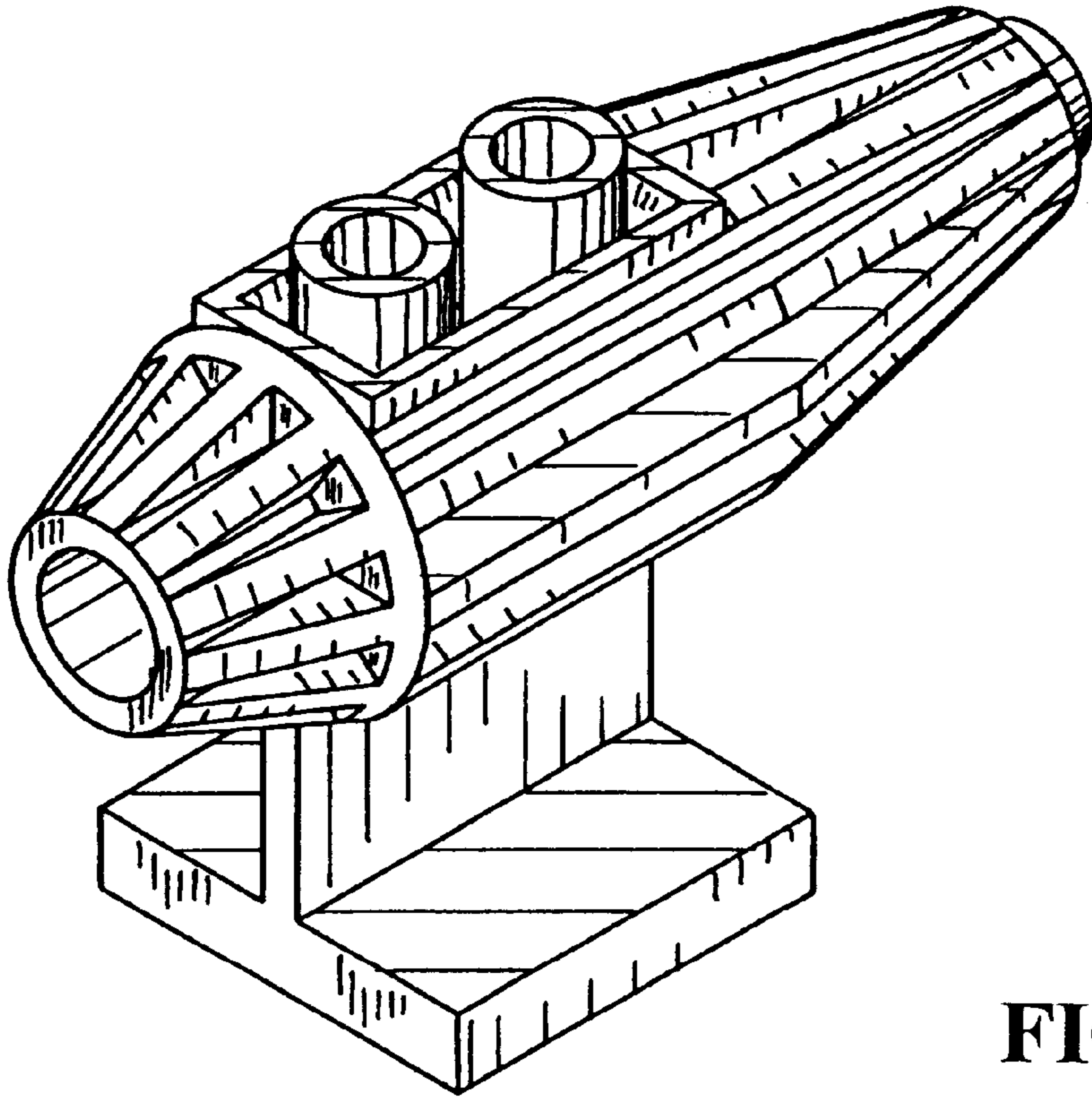


FIG. 1

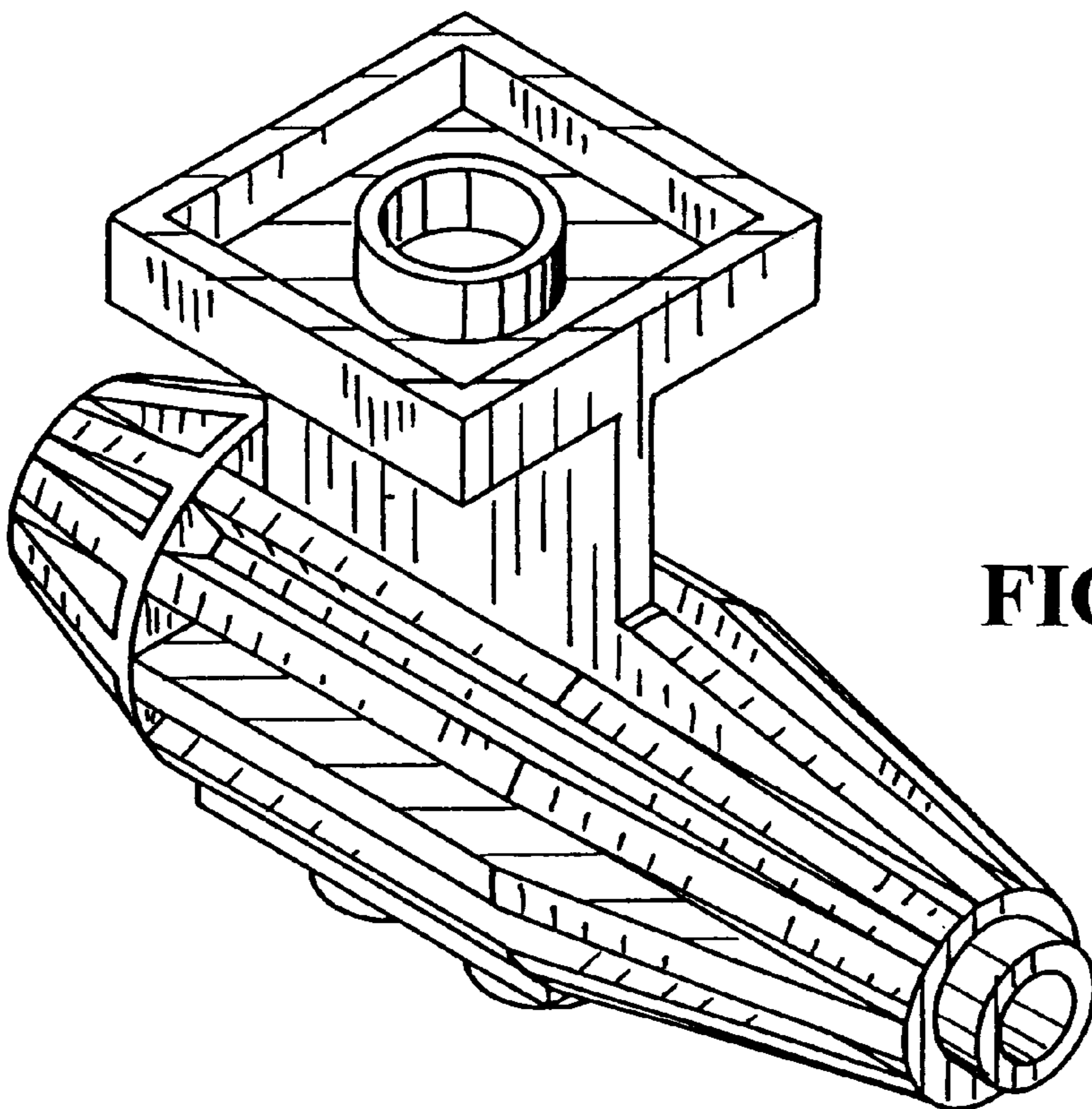


FIG. 8

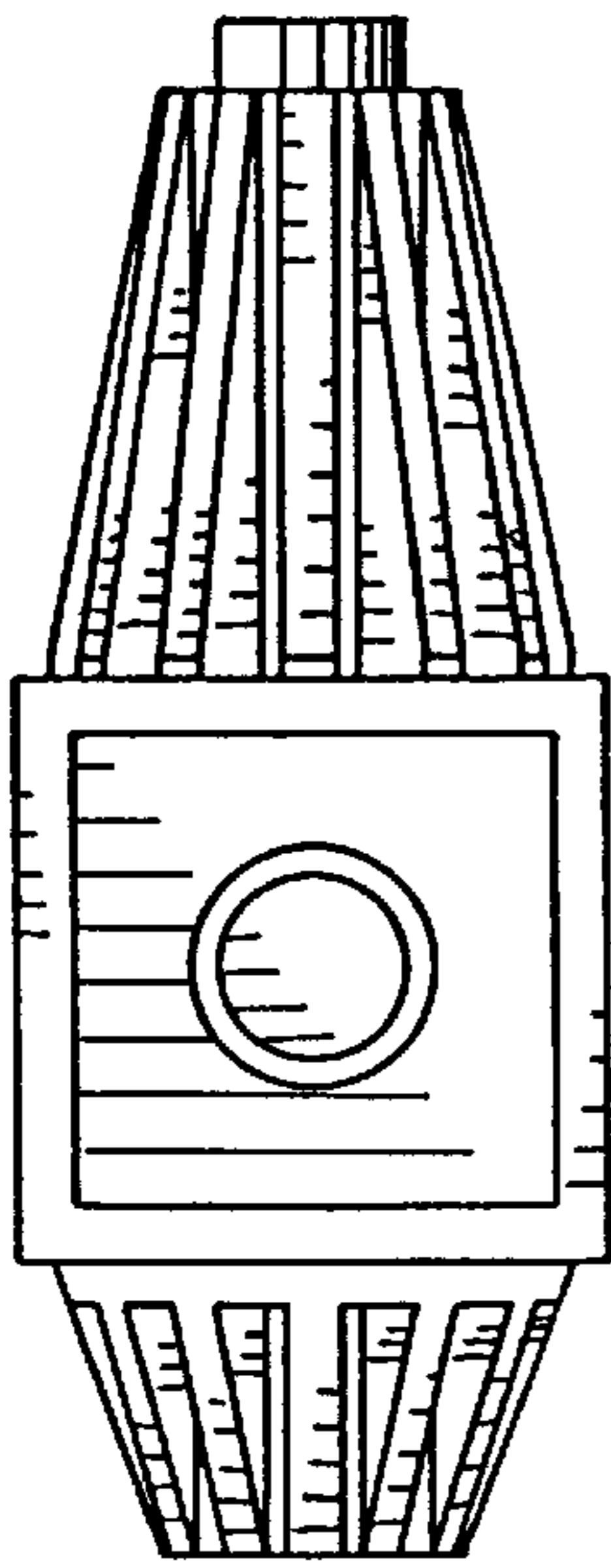


FIG. 4

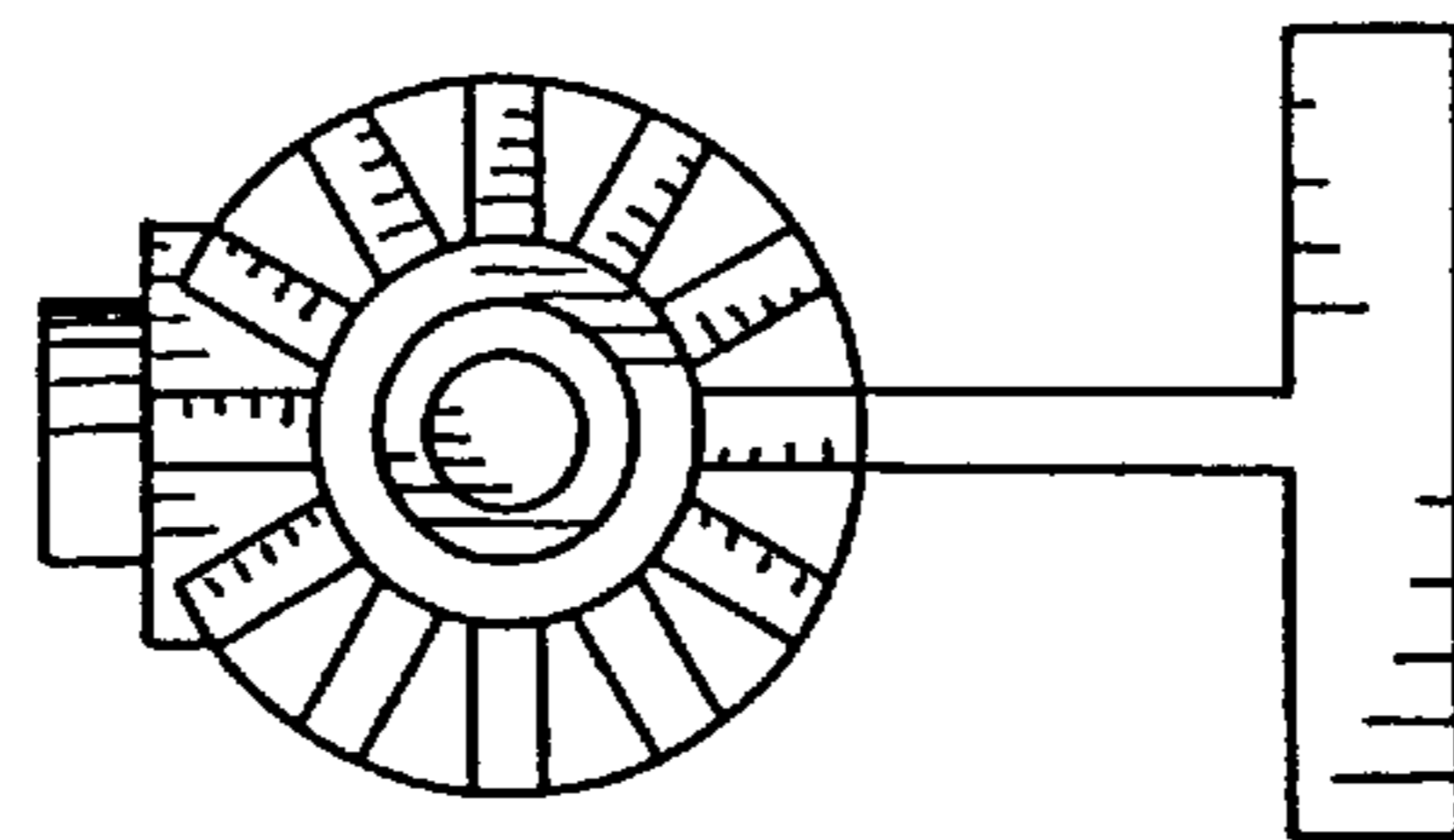


FIG. 7

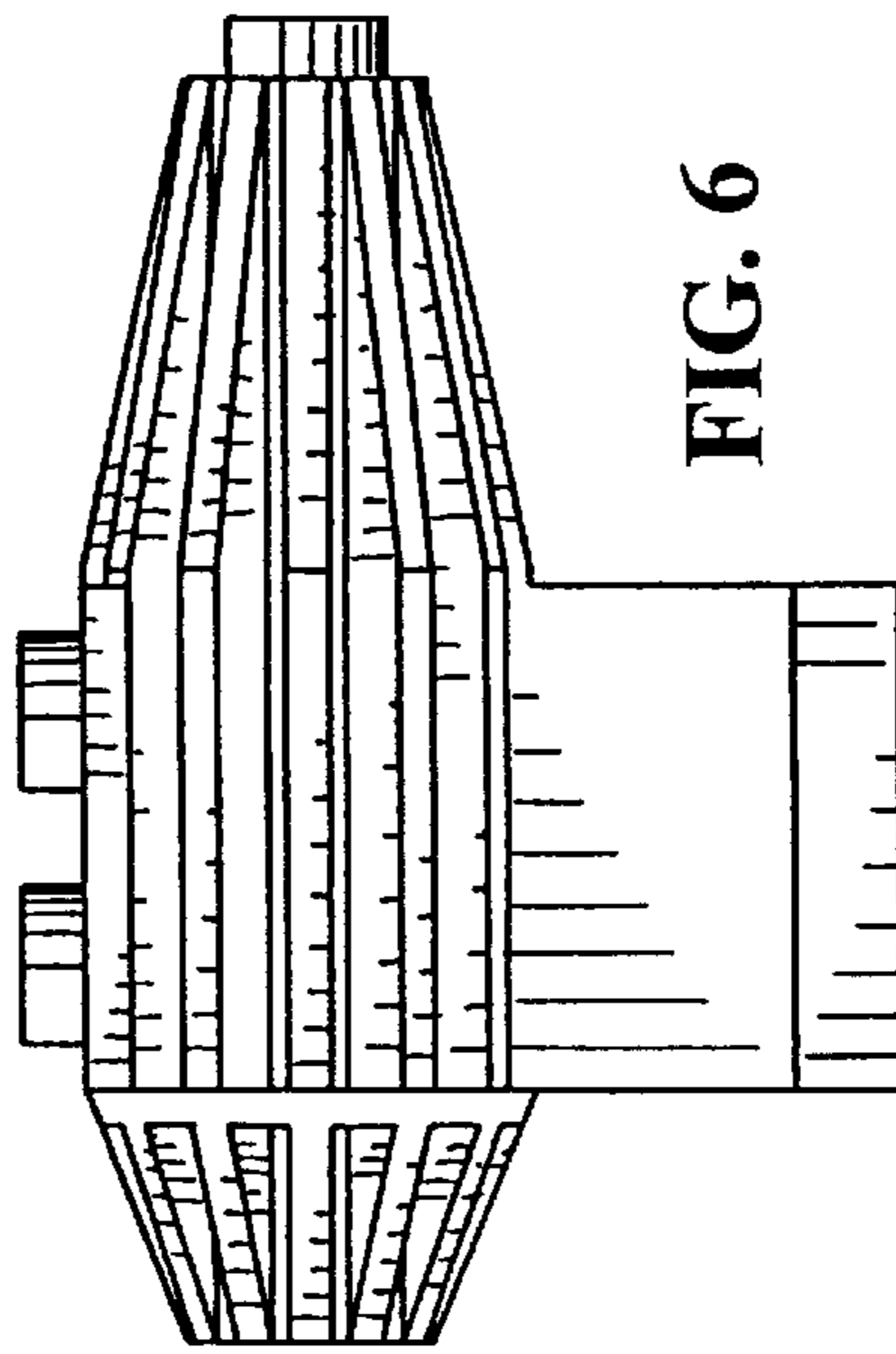


FIG. 6

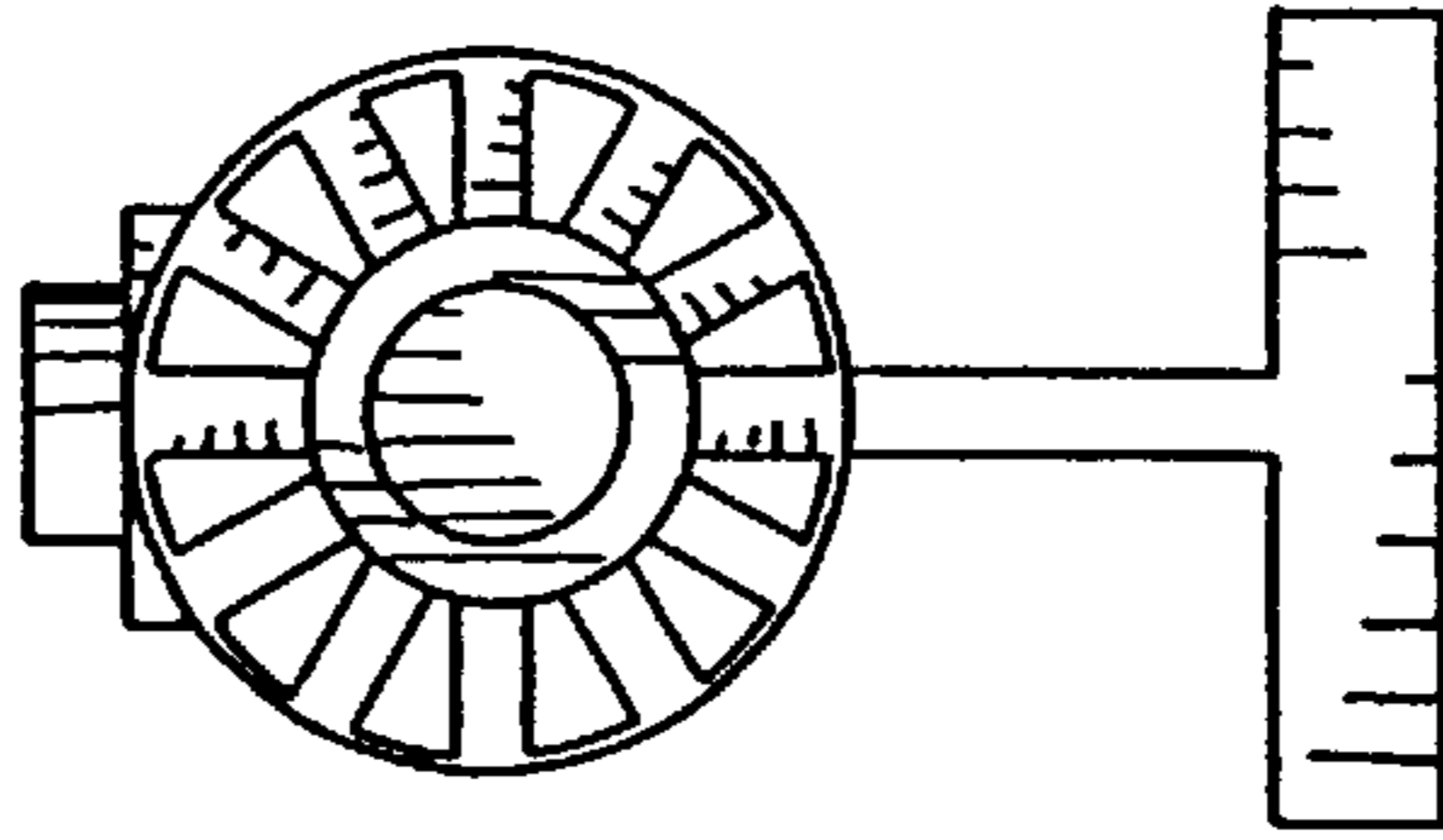


FIG. 3

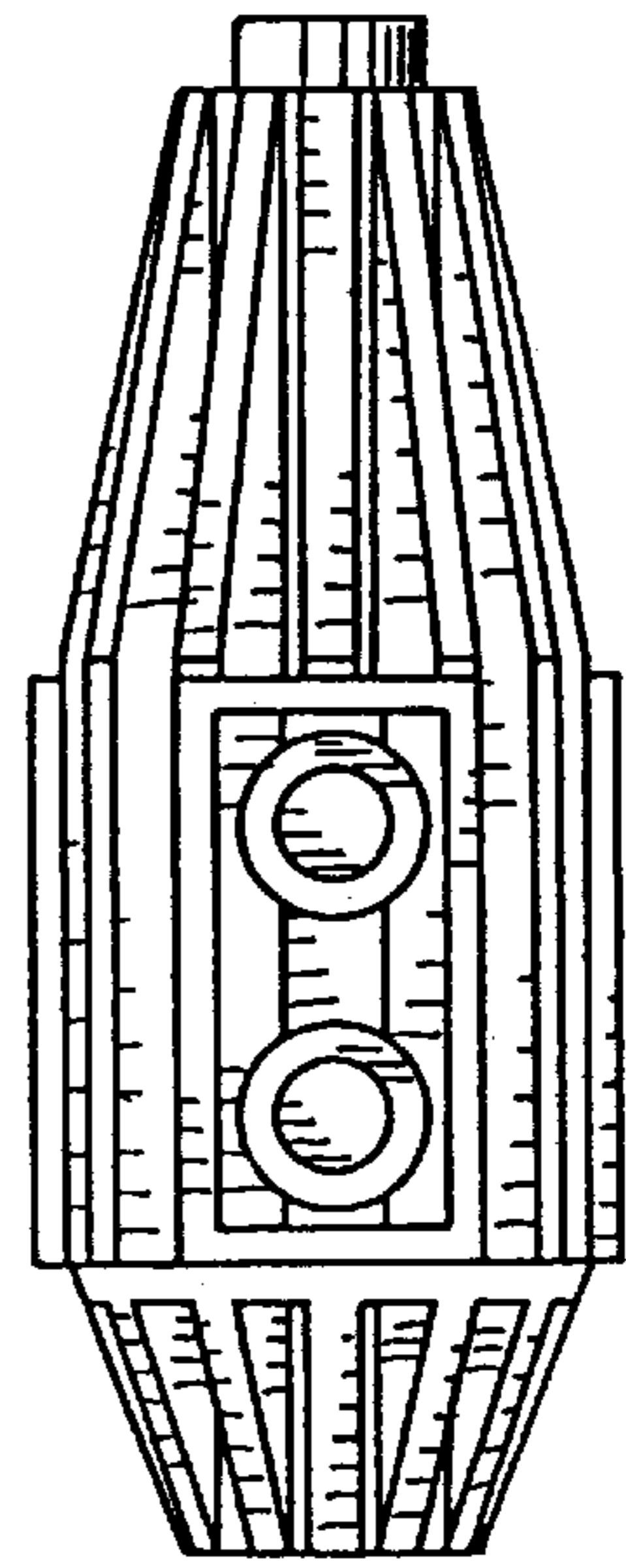


FIG. 2

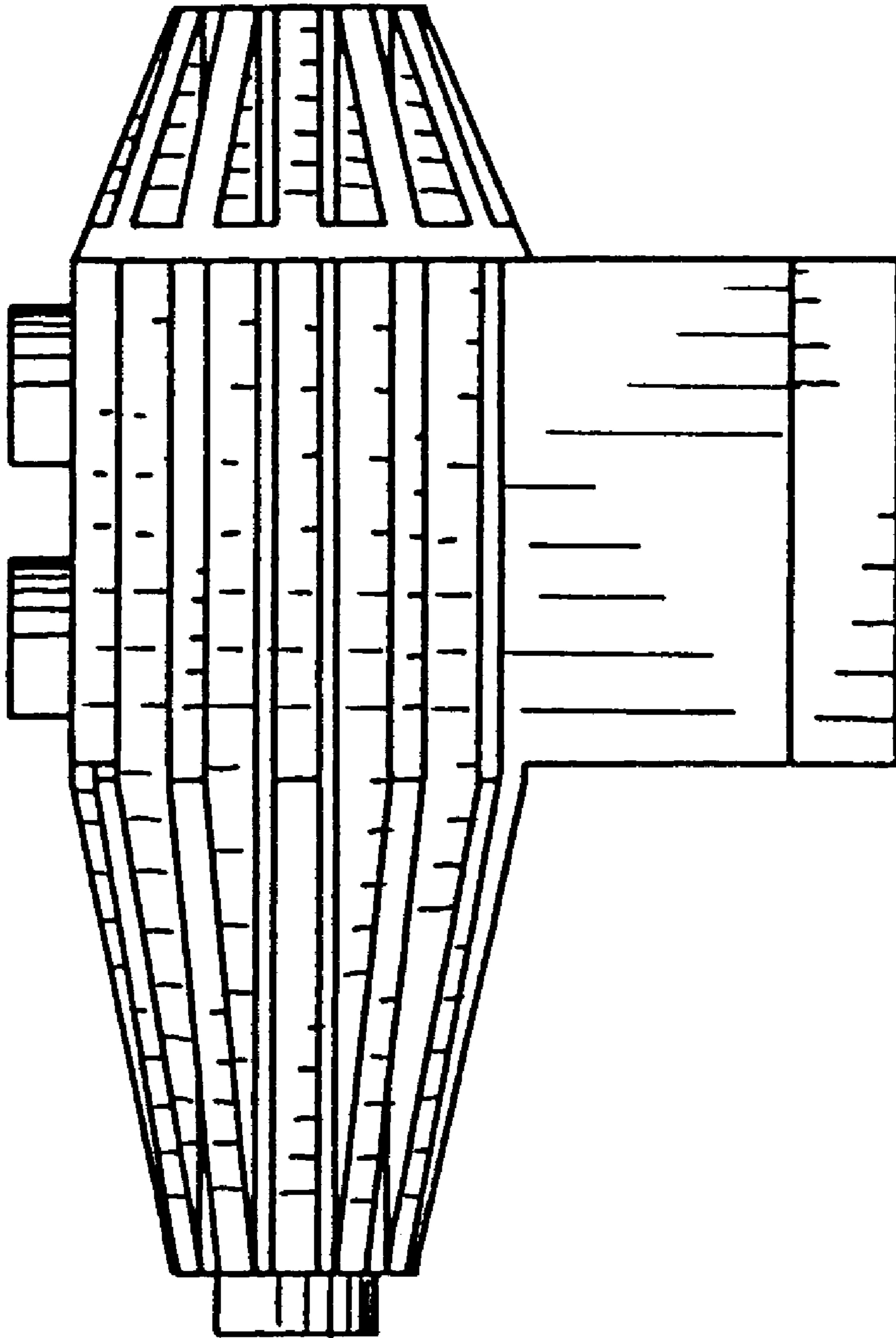


FIG. 5