



US00D417245S

**United States Patent** [19]  
**Wang**

[11] **Patent Number: Des. 417,245**

[45] **Date of Patent: \*\* Nov. 30, 1999**

[54] **CHILDREN'S RIDE-ON VEHICLE**

D. 393,888 4/1998 Callif ..... D21/433  
D. 397,737 9/1998 Harrod ..... D21/434

[75] Inventor: **Chia-Hui Wang**, Tai Pao, Taiwan

**OTHER PUBLICATIONS**

Toys "Я" US 1993 catalog p. 52, 1993.

[73] Assignee: **Link Treasure Limited**, Tortola, Virgin Islands (Br.)

*Primary Examiner*—Raphael Barkai  
*Attorney, Agent, or Firm*—W. Wayne Liauh

[\*\*] Term: **14 Years**

[57] **CLAIM**

[21] Appl. No.: **29/099,968**

The ornamental design for children's ride-on vehicle, as shown.

[22] Filed: **Jan. 30, 1999**

**DESCRIPTION**

[51] **LOC (6) Cl.** ..... **21-01**

[52] **U.S. Cl.** ..... **D21/433**

[58] **Field of Search** ..... D21/419-435,  
D21/533, 548, 550, 551, 552, 559; D12/87,  
88, 91, 92; 446/424, 425, 427, 433, 440,  
454, 456, 457, 462, 465, 470; 280/1.13,  
828, 87.01, 87.021, 47.11

FIG. 1 is a perspective view of children's ride-on vehicle, showing my new design;

FIG. 2 is right side elevational view thereof;

FIG. 3 is a top view thereof;

FIG. 4 is a front elevational view thereof;

FIG. 5 is a bottom view thereof; and,

FIG. 6 is a left side elevational view.

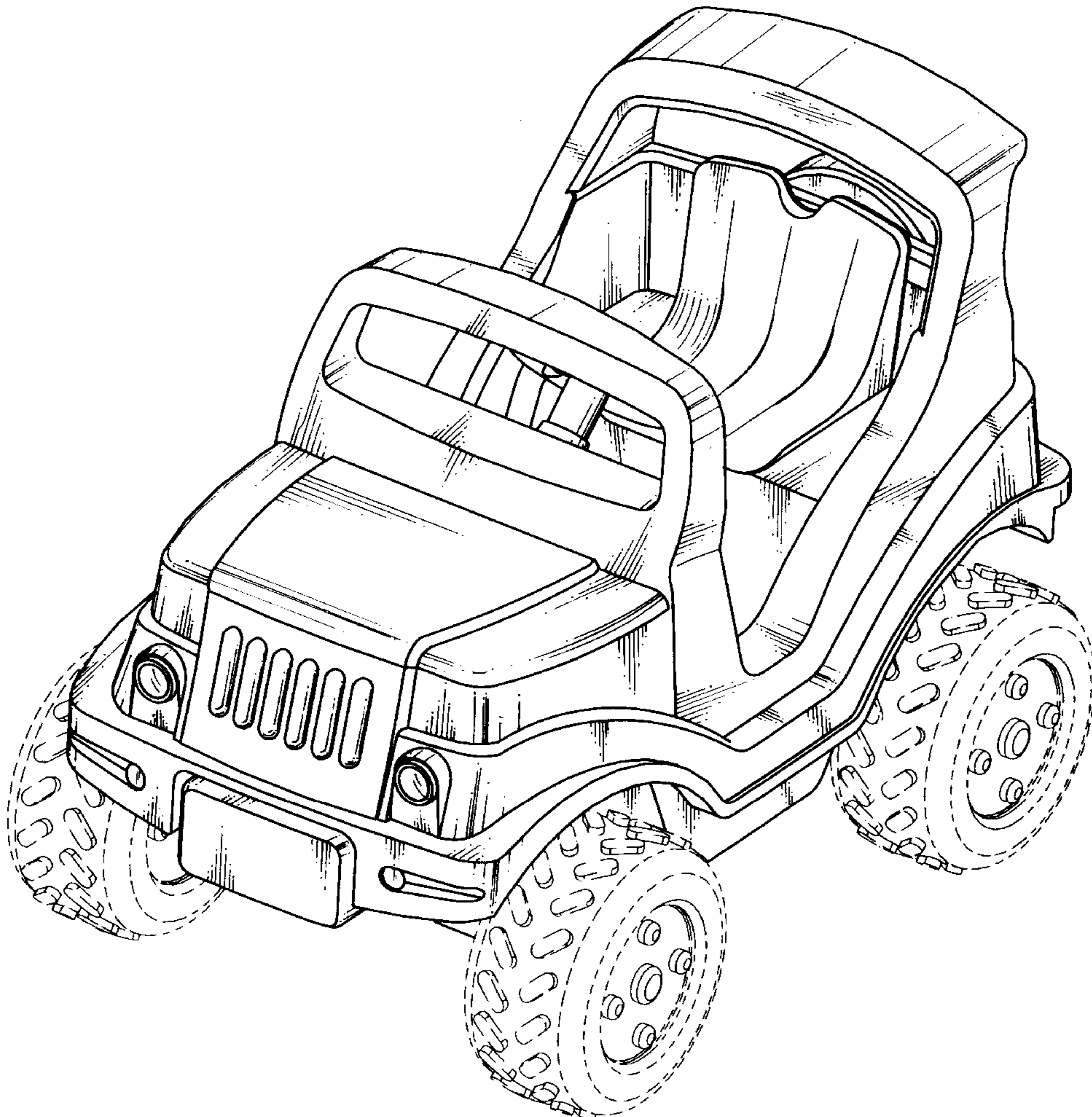
The broken lines shown in FIGS. 1-6 is for illustrative purposes only and forms no part of the claimed design.

[56] **References Cited**

**U.S. PATENT DOCUMENTS**

D. 282,187 1/1986 Cunard et al. .... D21/424  
D. 328,317 7/1992 Harrod ..... D21/433  
D. 345,394 3/1994 Chen ..... D21/433

**1 Claim, 6 Drawing Sheets**



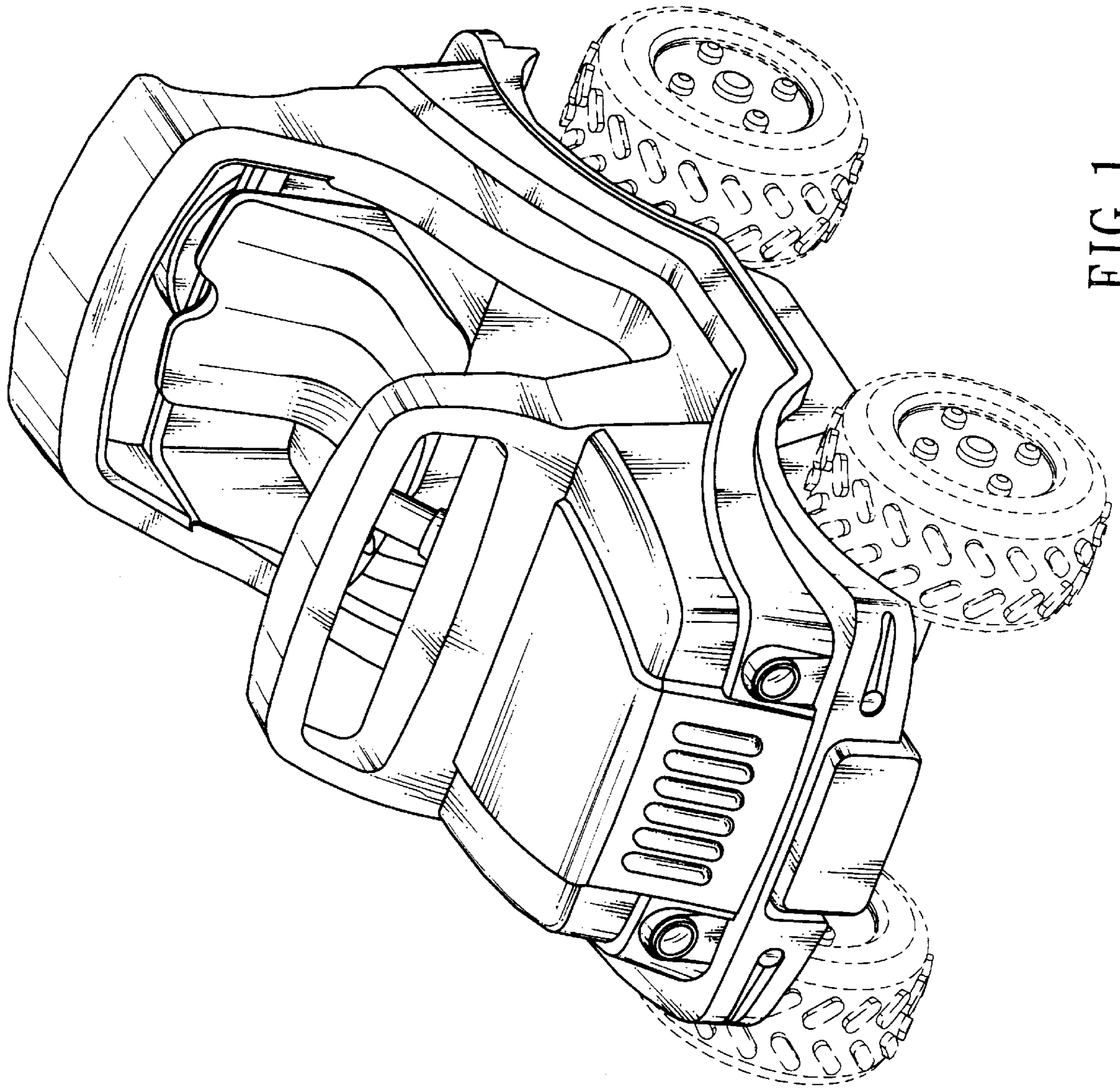


FIG. 1

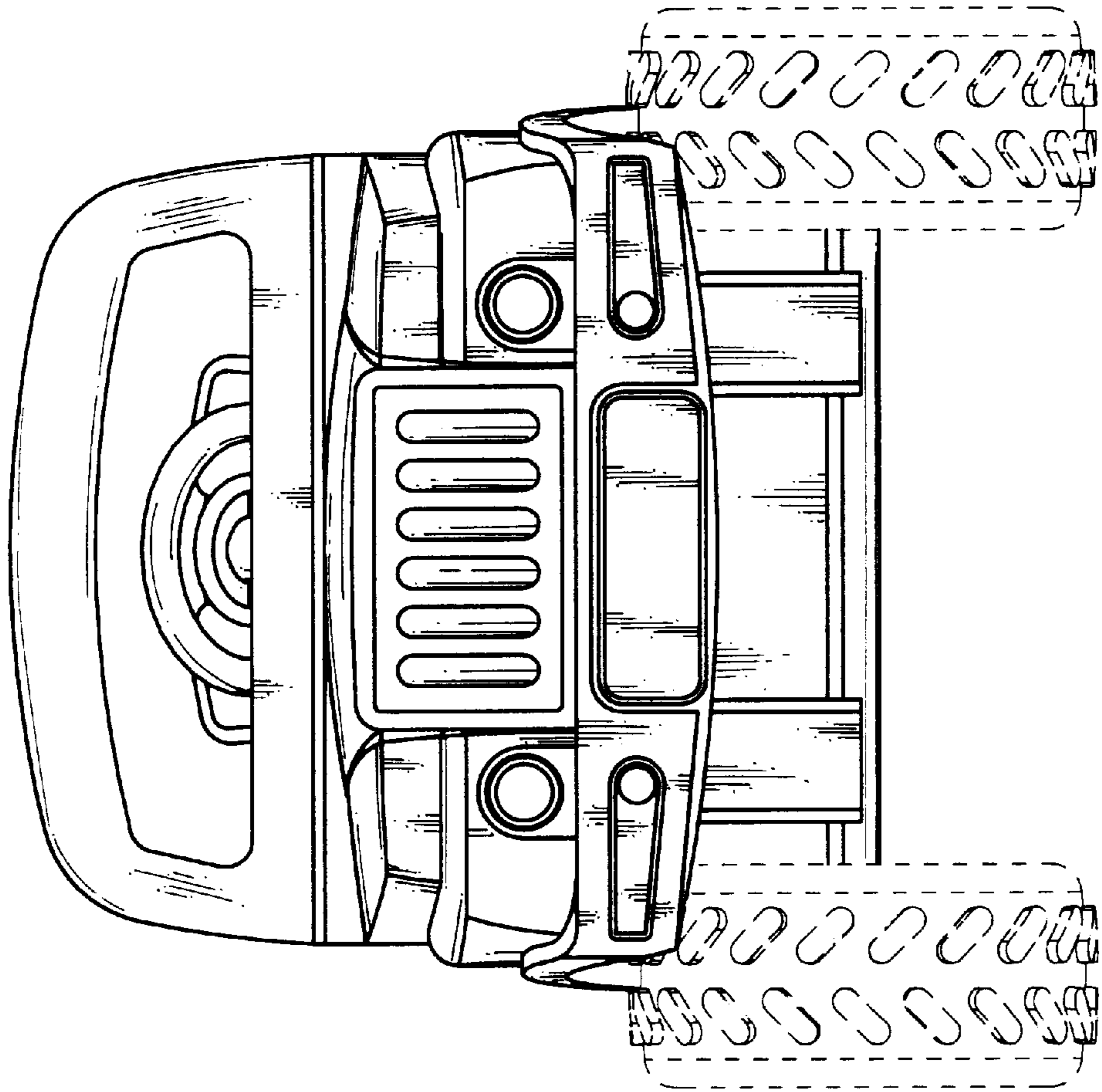


FIG. 2

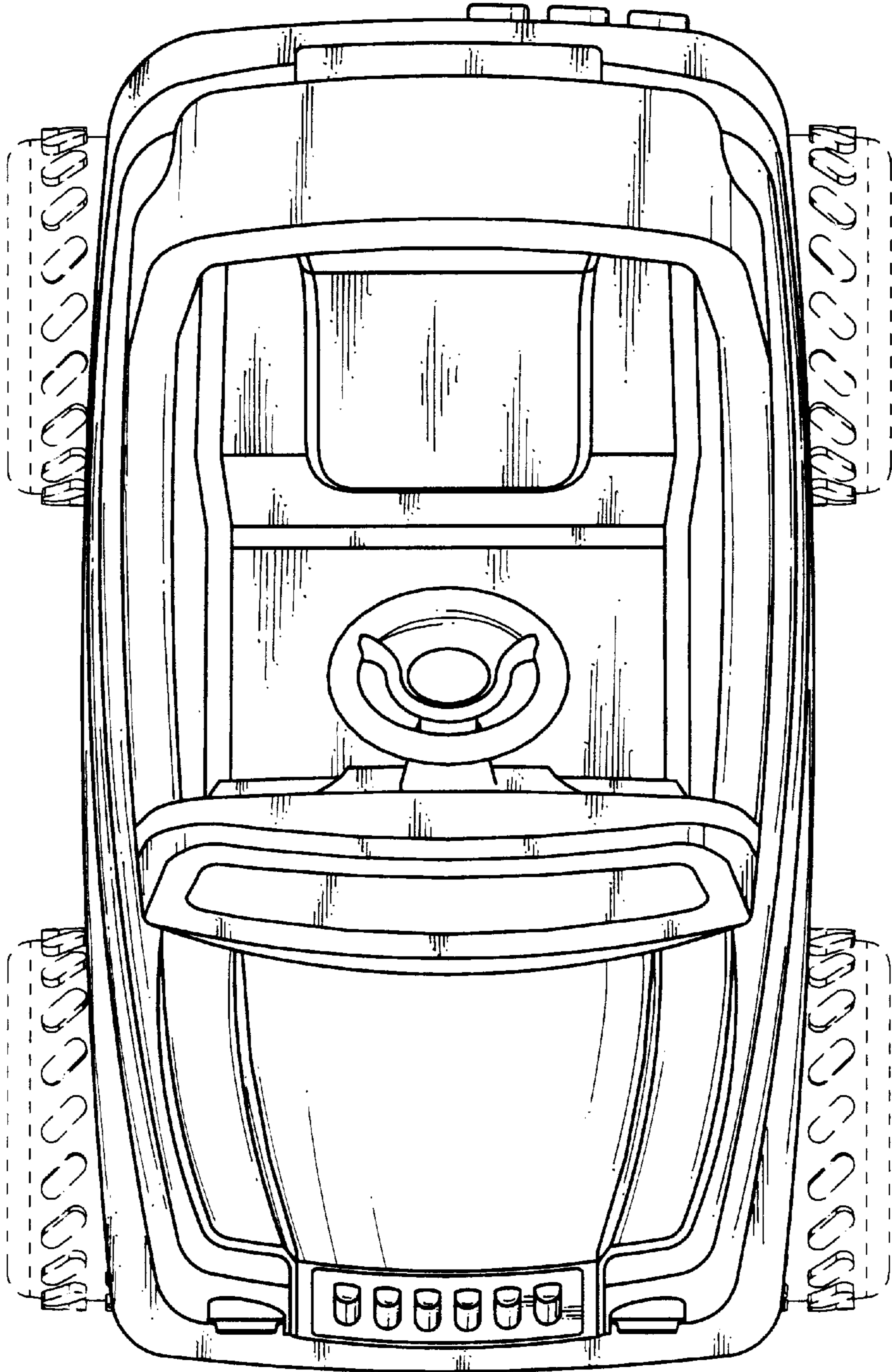


FIG. 3

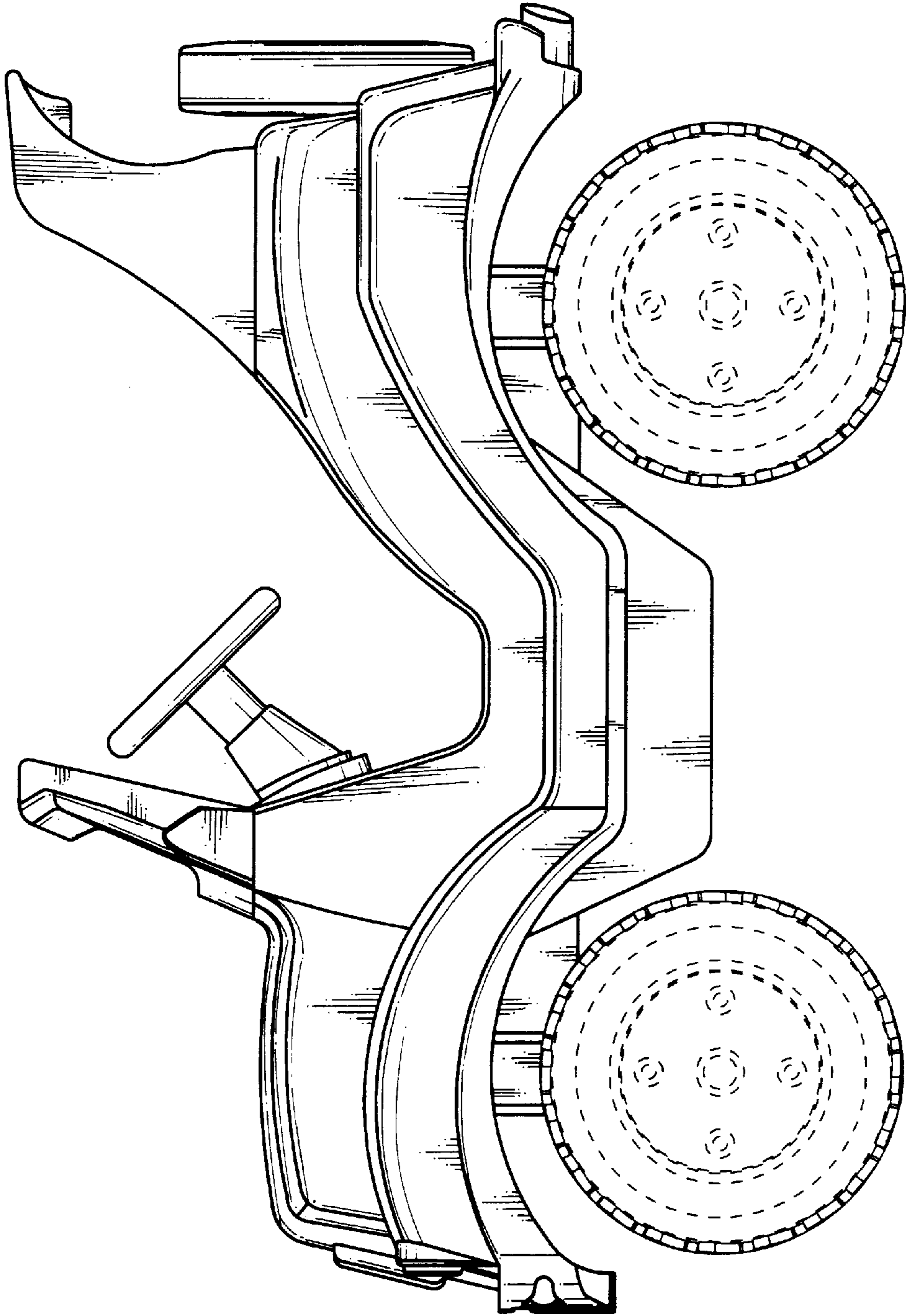


FIG. 4

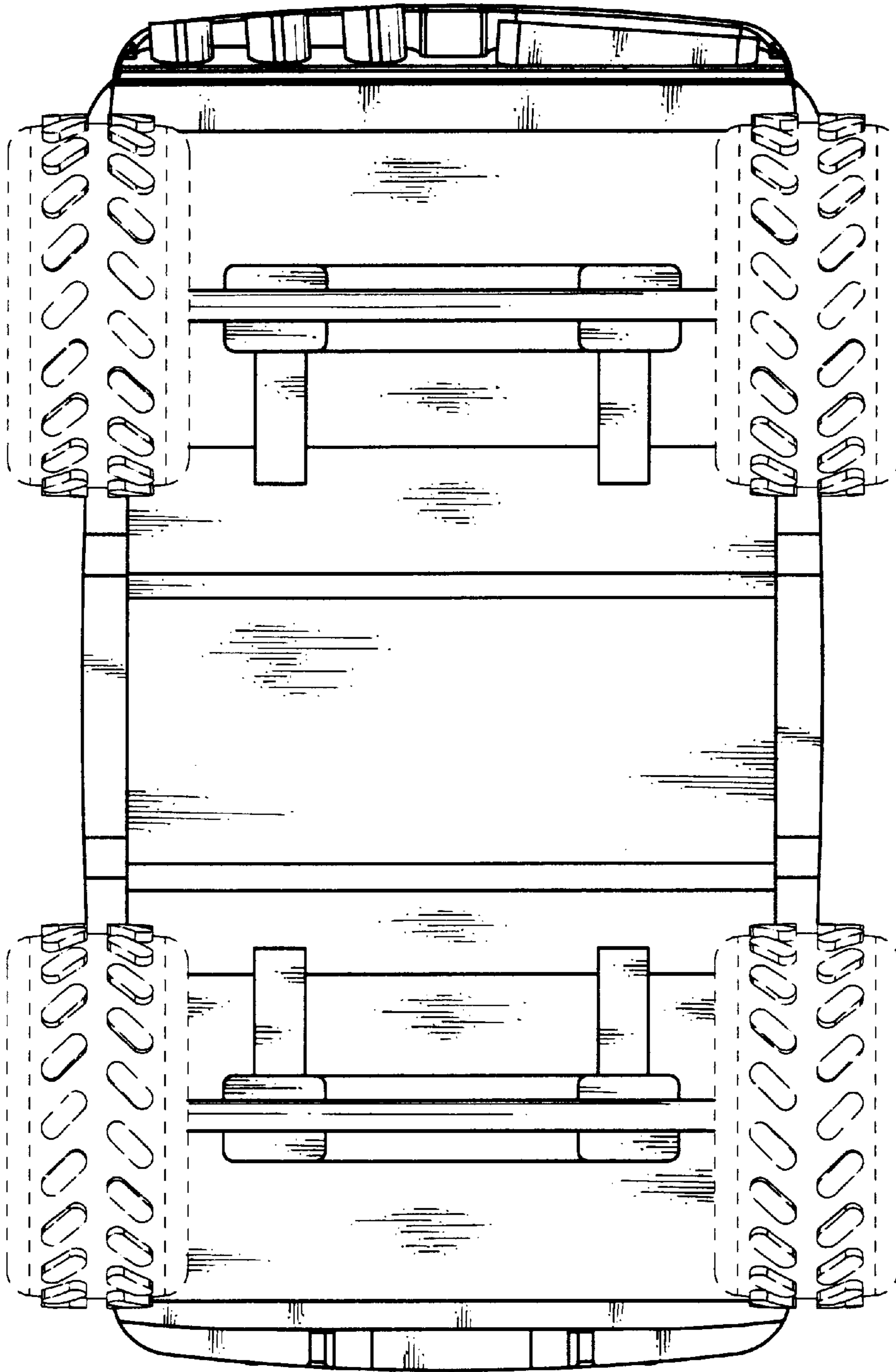


FIG. 5

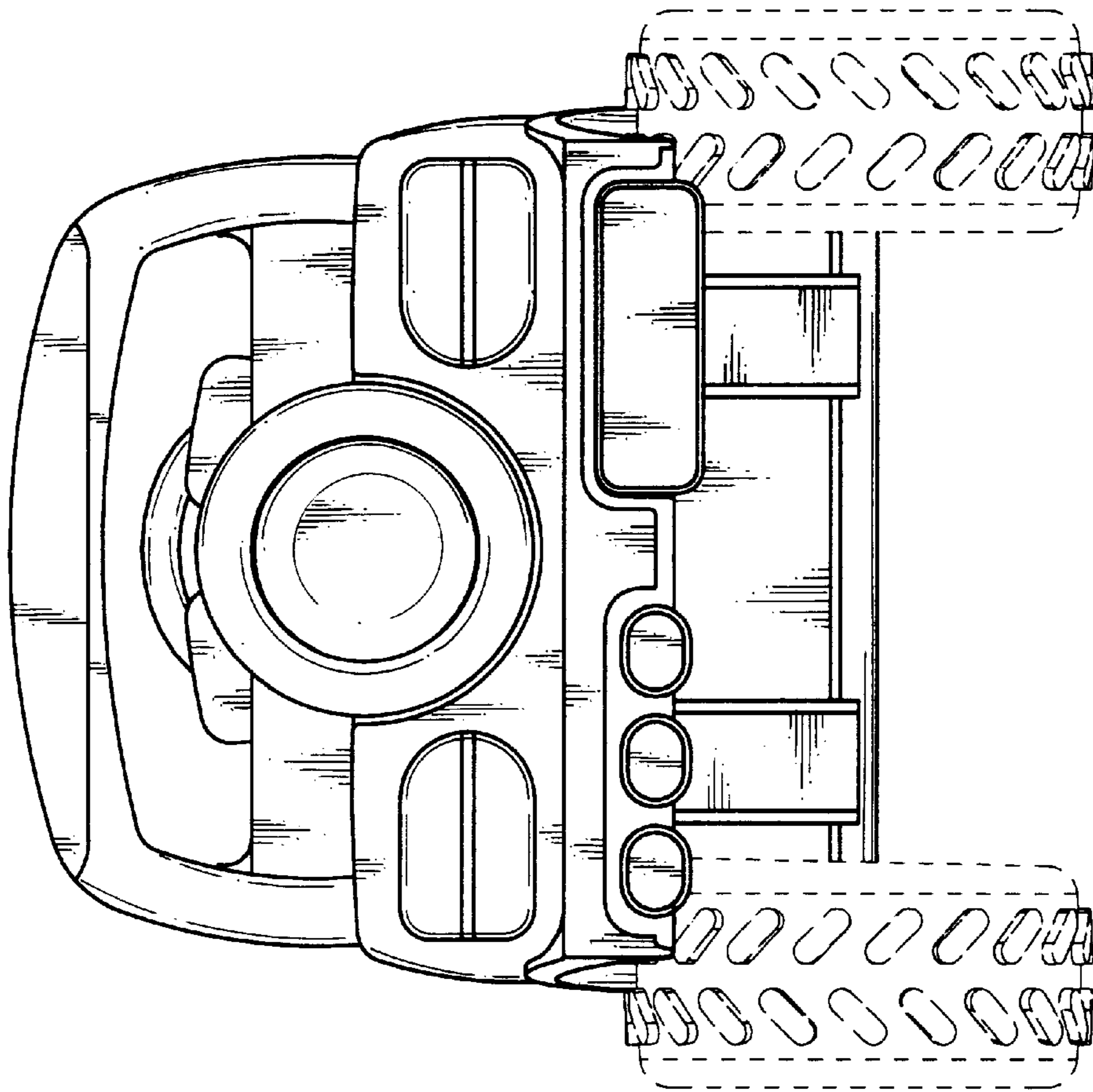


FIG. 6