



US00D417244S

United States Patent [19]

Yeh et al.

[11] Patent Number: **Des. 417,244**

[45] Date of Patent: **** Nov. 30, 1999**

[54] **CHILDREN'S RIDE-ON VEHICLE**

[75] Inventors: **Po-Shiung Yeh; Liang-Yin Kuo**, both of Tai Pao, Taiwan

[73] Assignee: **Link Treasure Limited**, Tortola, Virgin Islands (Br.)

[**] Term: **14 Years**

[21] Appl. No.: **29/099,967**

[22] Filed: **Jan. 30, 1999**

[51] **LOC (6) Cl.** **21-01**

[52] **U.S. Cl.** **D21/433**

[58] **Field of Search** D21/419-435, D21/533, 548, 550, 551, 552, 559; D12/87, 88, 91, 92; 446/424, 425, 427, 433, 440, 454, 456, 457, 462, 465, 470; 280/1.13, 828, 87.01, 87.021, 47.11; 272/52, 54

[56] **References Cited**

U.S. PATENT DOCUMENTS

- D. 282,187 1/1986 Cunard et al. D21/424
- D. 328,317 7/1992 Harrod D21/433

- D. 345,394 3/1994 Chen D21/433
- D. 393,888 4/1998 Callif D21/433
- D. 397,737 9/1998 Harrod D21/434

OTHER PUBLICATIONS

Toys "R" Us 1993 Catalog p. 52.

Primary Examiner—Raphael Barkai
Attorney, Agent, or Firm—W. Wayne Liauh

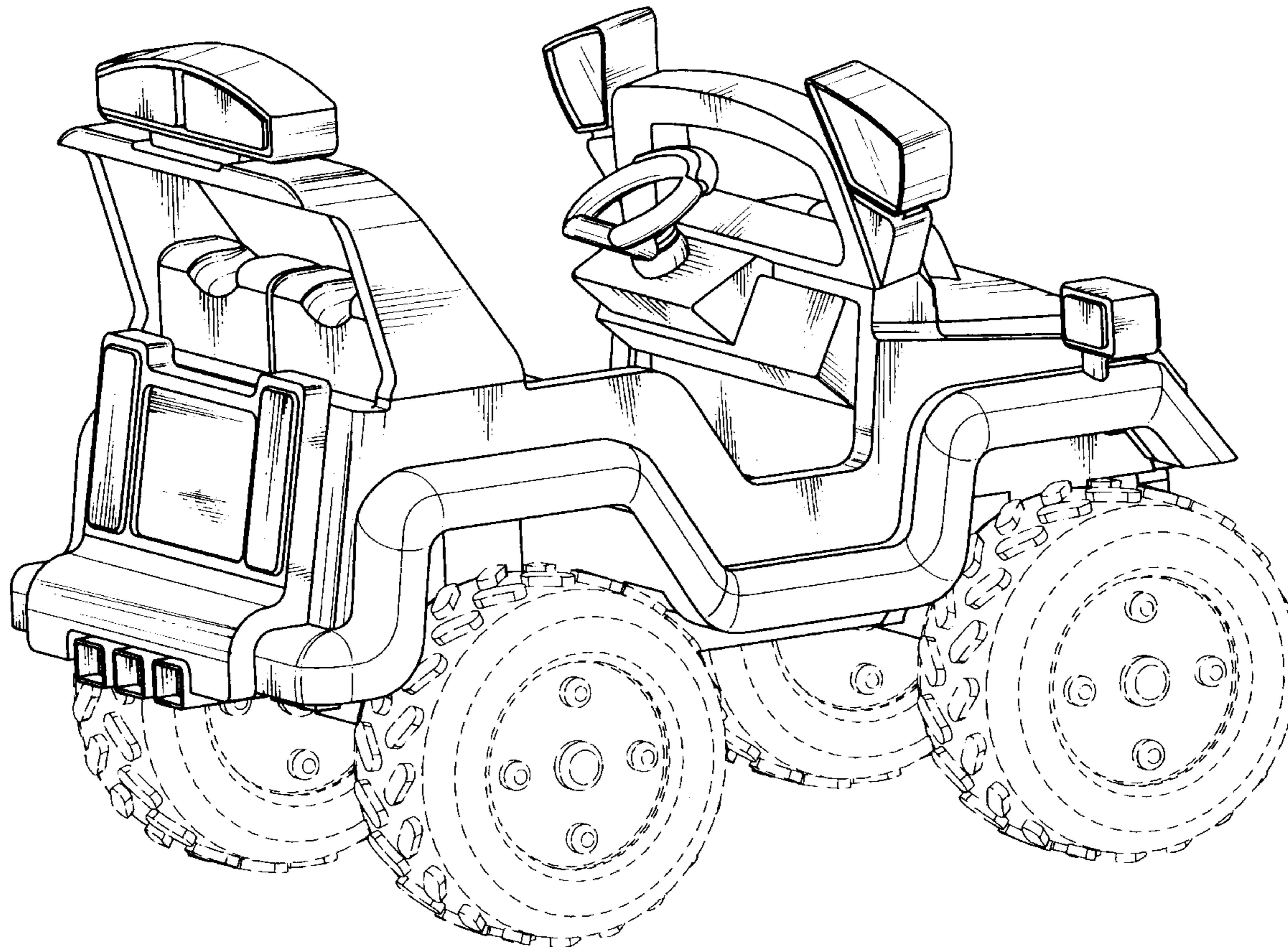
[57] **CLAIM**

The ornamental design for children's ride-on vehicle, as shown.

DESCRIPTION

FIG. 1 is a perspective view of children's ride-on vehicle, showing my new design;
FIG. 2 is a right side elevational view thereof;
FIG. 3 is a top view thereof;
FIG. 4 is a front elevational view thereof;
FIG. 5 is a bottom view thereof; and,
FIG. 6 is a left side elevational view.
The broken lines shown in FIGS. 1-6 is for illustrative purposes only and forms no part of the claimed design.

1 Claim, 6 Drawing Sheets



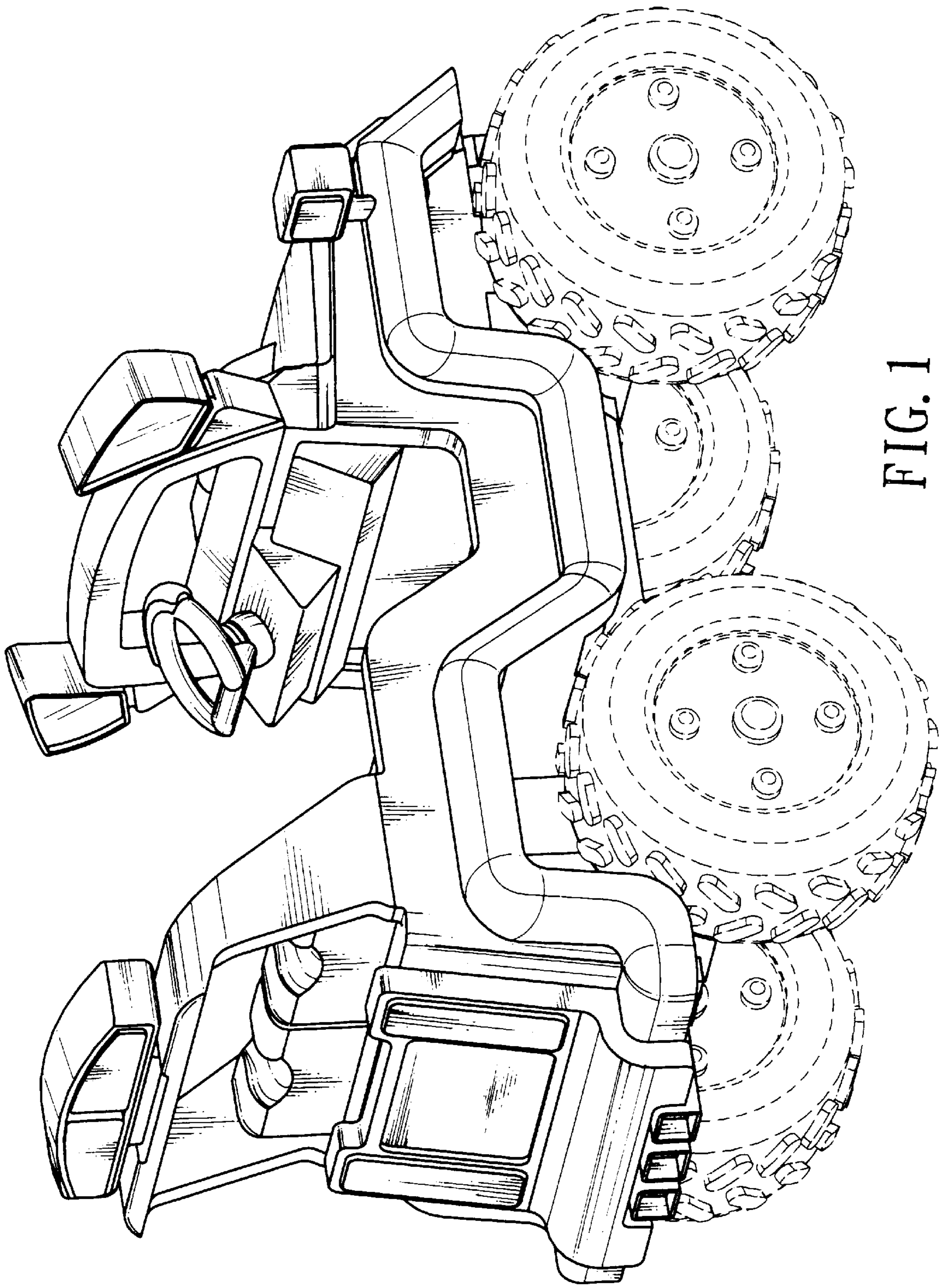


FIG. 1

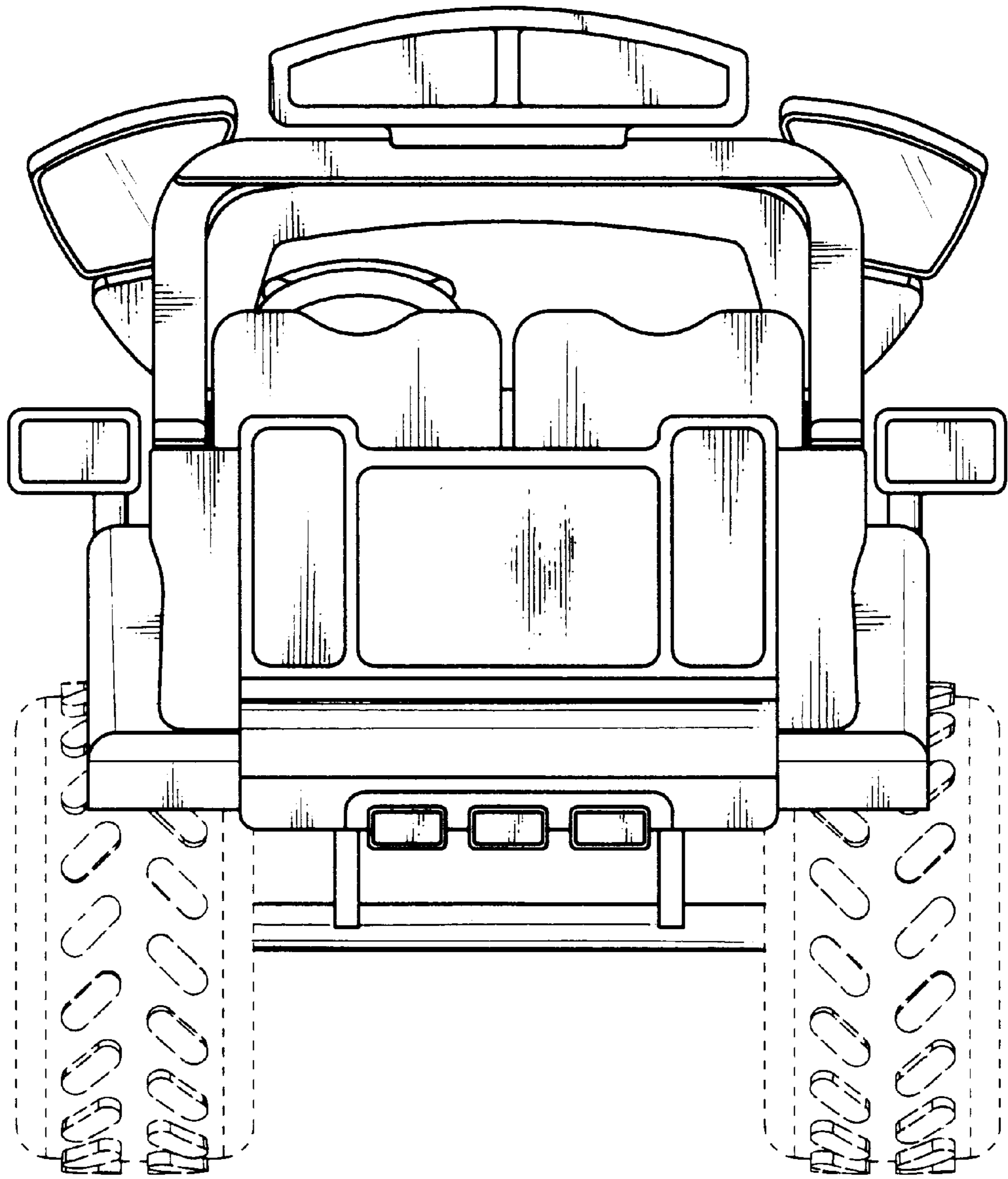


FIG. 2

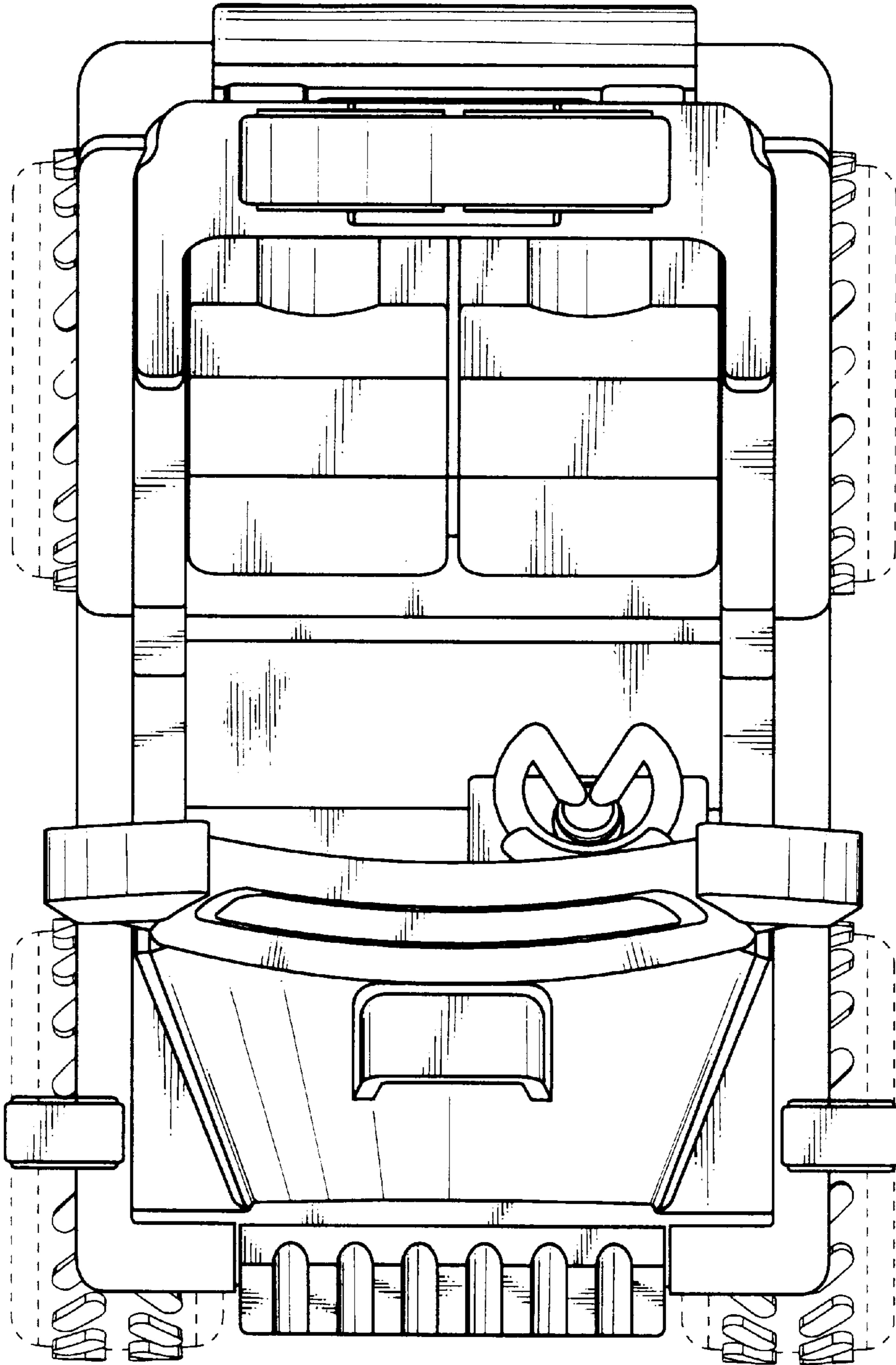


FIG. 3

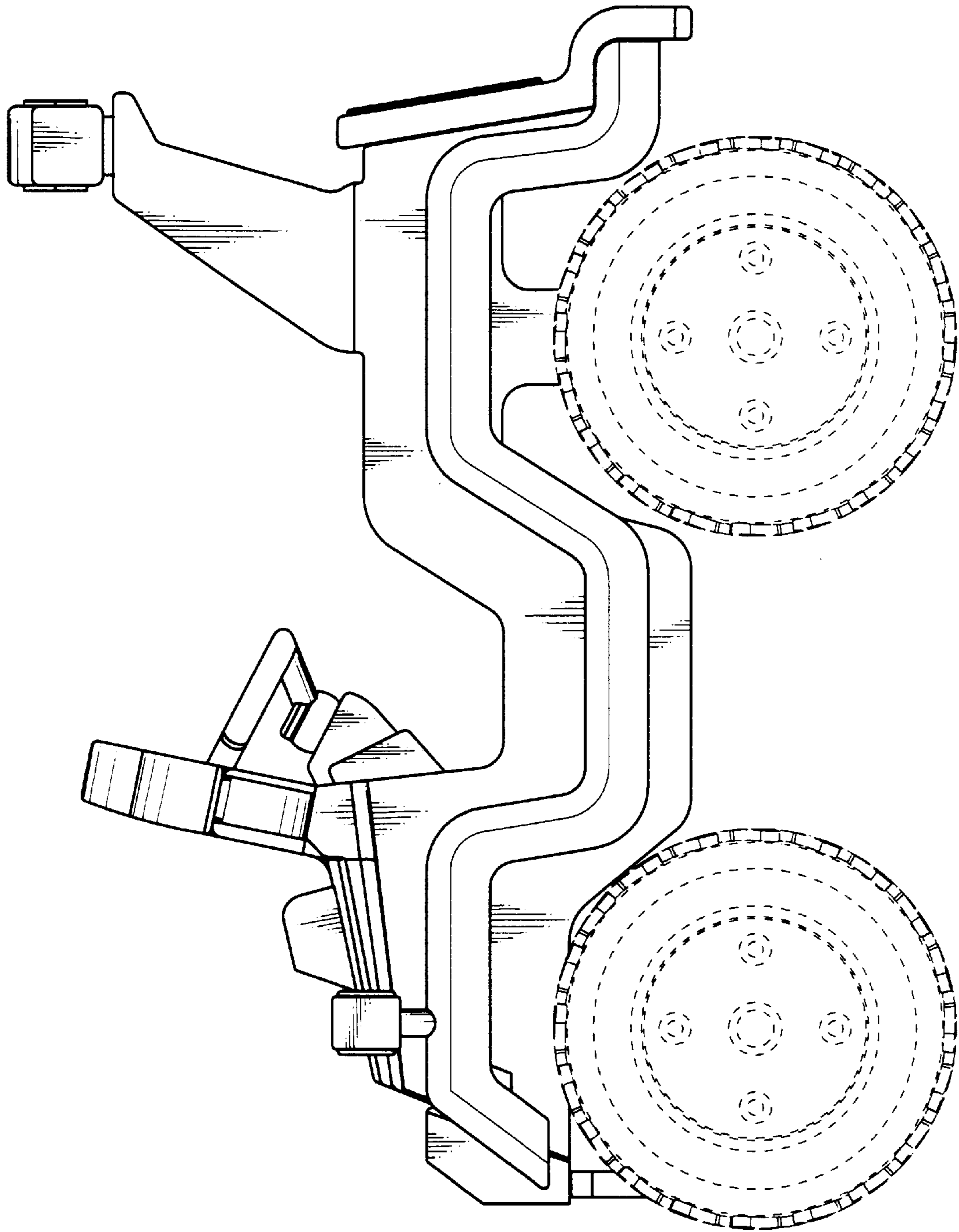


FIG. 4

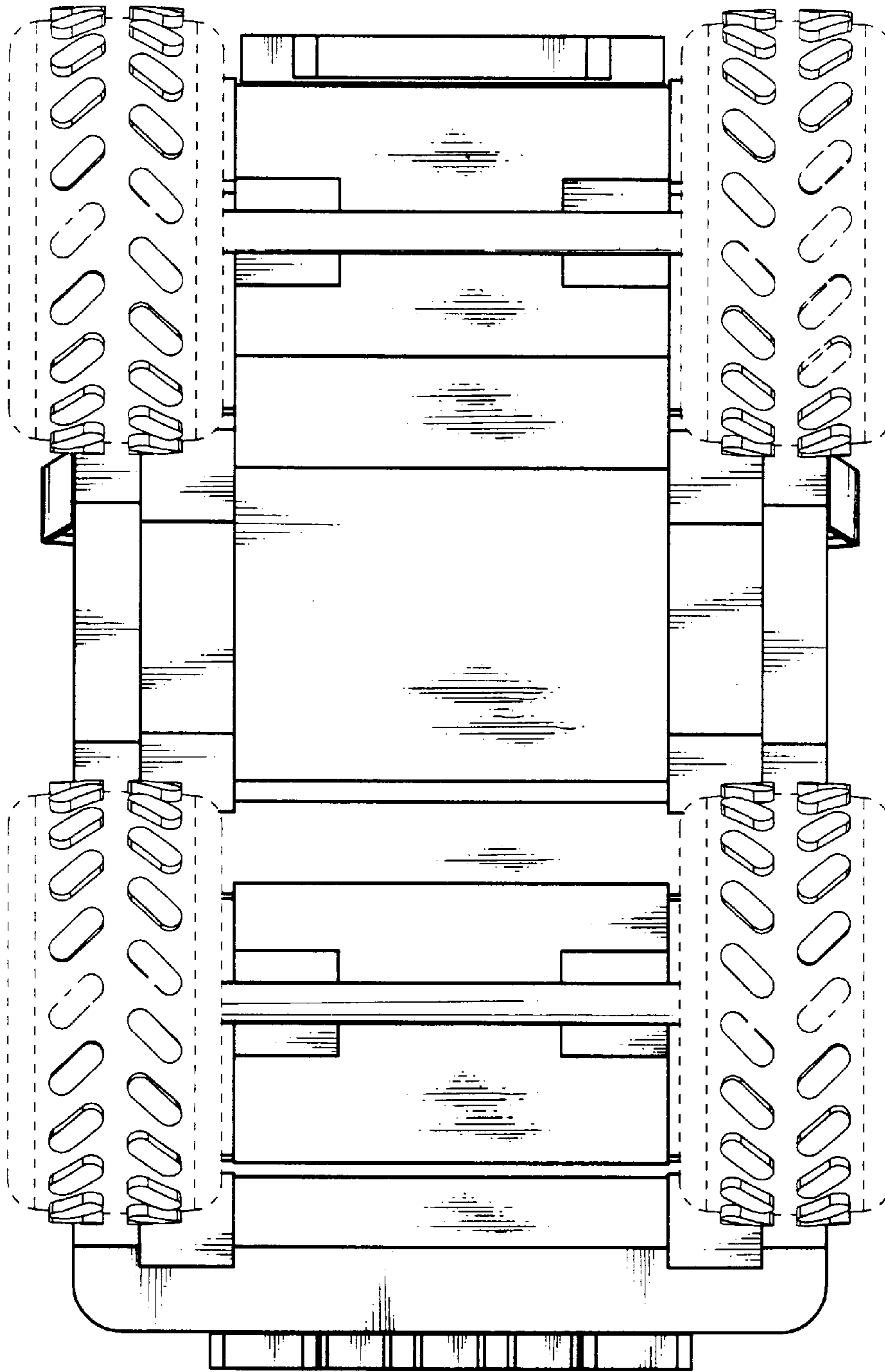


FIG. 5

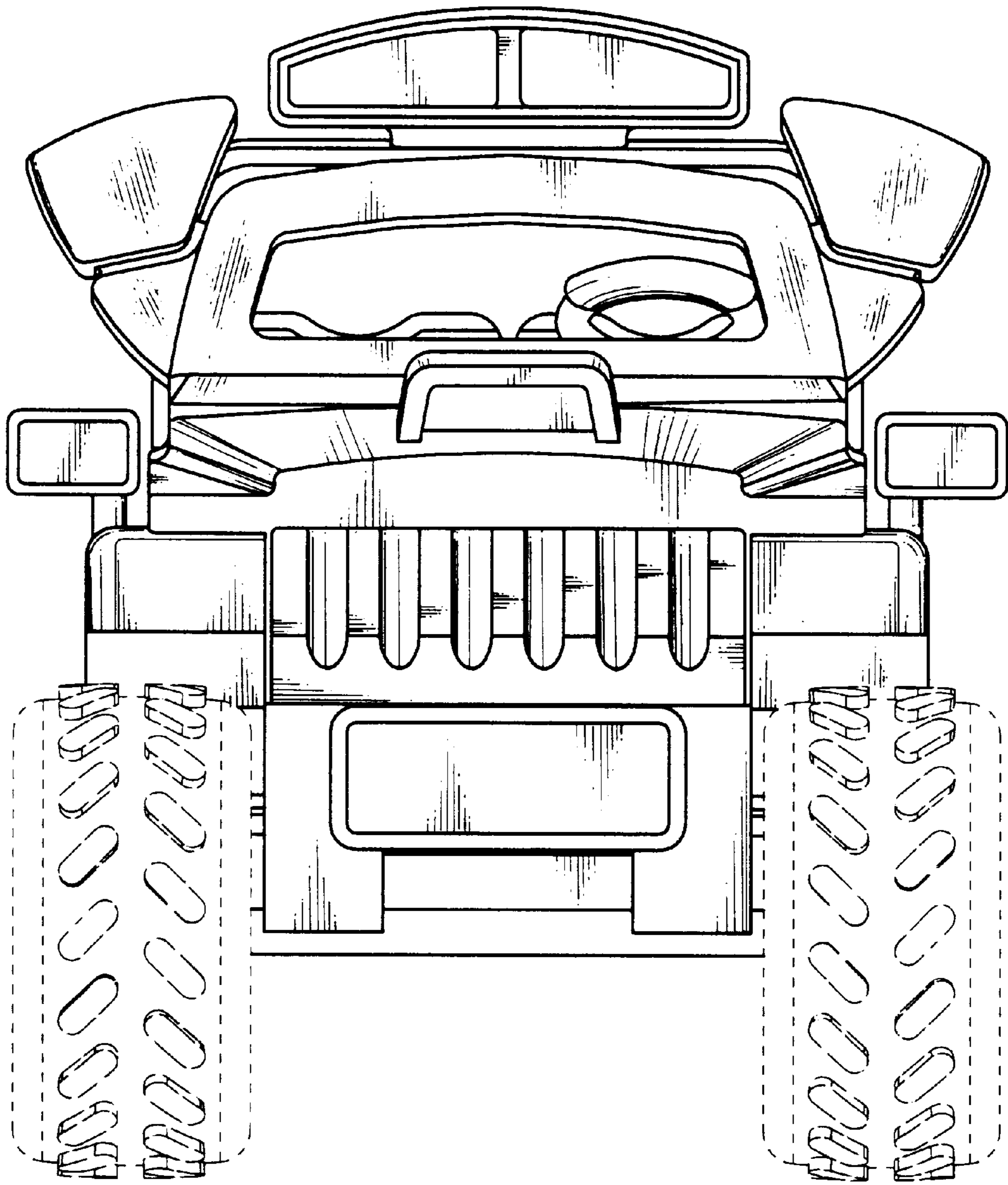


FIG. 6