



US00D417238S

United States Patent [19] Huang

[11] **Patent Number: Des. 417,238**

[45] **Date of Patent: ** Nov. 30, 1999**

[54] **PENCIL SHARPENER**

[76] Inventor: **Bao Ruh Huang**, No.136, Tsu Chiang Road, Chang Hua City, Taiwan

[**] Term: **14 Years**

[21] Appl. No.: **29/097,367**

[22] Filed: **Dec. 4, 1998**

[51] **LOC (6) Cl. 19-06**

[52] **U.S. Cl. D19/74; D19/73**

[58] **Field of Search D19/65, 73, 74, D19/95, 99, 100; 144/28, 28.1, 28.11, 28.2, 28.3, 28.4, 28.5, 28.6, 28.7, 28.71, 28.72, 28.8, 28.9, 30; 30/352**

[56] **References Cited**

U.S. PATENT DOCUMENTS

D. 52,549	10/1918	Wilson	D19/74
D. 151,456	10/1948	Kihlberg	D19/74
D. 152,528	2/1949	Godfrey	D19/74
D. 158,296	4/1950	Landeborn	D19/74
D. 164,827	10/1951	Tall	D19/74
972,488	10/1910	Wilson	144/28.71

1,285,528	11/1918	Wilson	144/28.71
3,279,437	10/1966	Rubinstein et al.	144/28.71
4,759,129	7/1988	Alpha	30/452

OTHER PUBLICATIONS

Miller Office Products Catalog, page 761 see item B, upper right 1995.

Primary Examiner—Martie K. Holtje
Attorney, Agent, or Firm—Bacon & Thomas

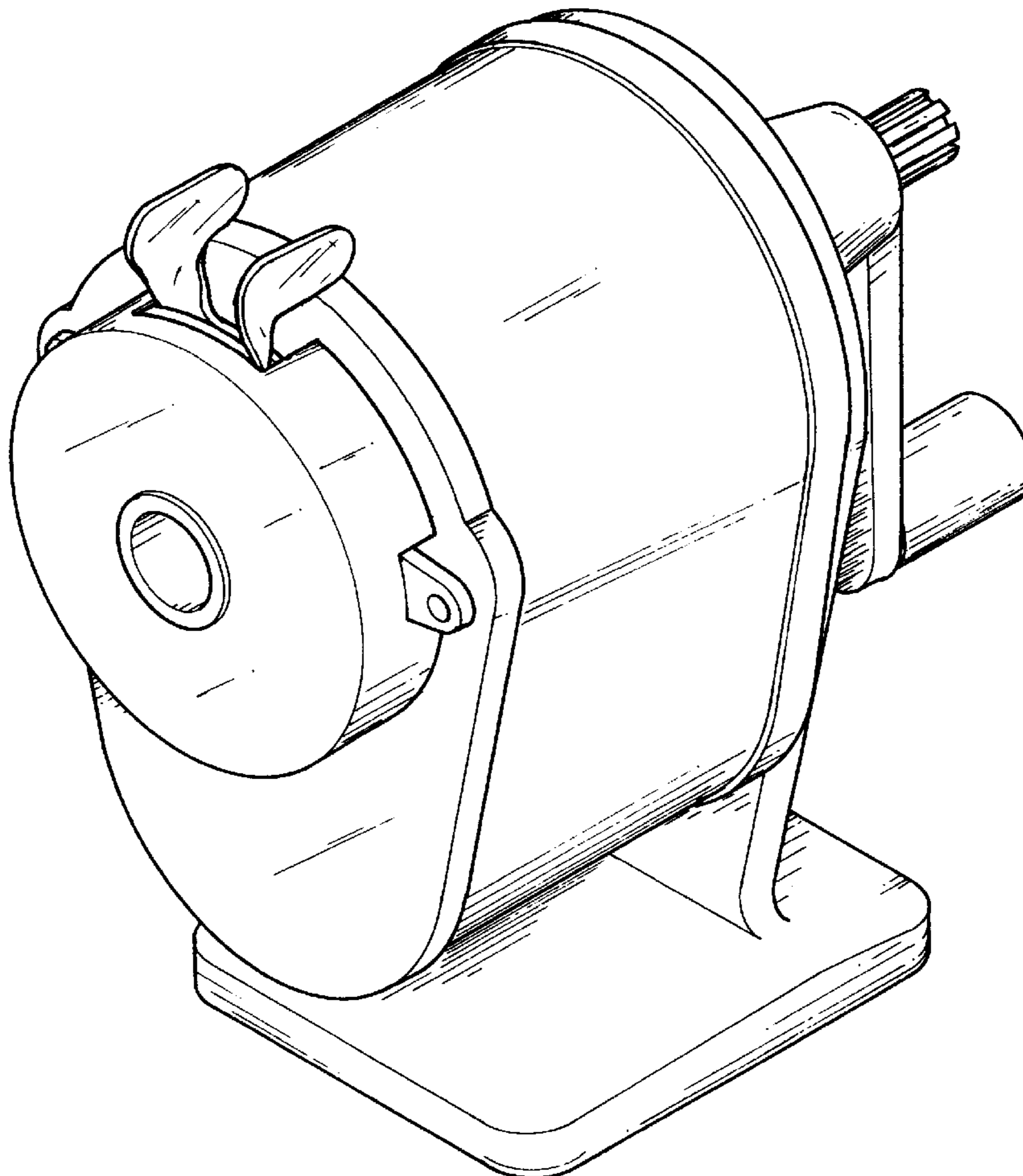
[57] **CLAIM**

The ornamental design for a pencil sharpener, as shown and described.

DESCRIPTION

FIG. 1 is a front-left-top perspective view of a pencil sharpener showing my new design;
FIG. 2 is a front elevational view thereof;
FIG. 3 is a rear elevational view thereof;
FIG. 4 is a top plan view thereof;
FIG. 5 is a bottom plan view thereof;
FIG. 6 is a left elevational view thereof; and,
FIG. 7 is a right elevational view thereof.

1 Claim, 5 Drawing Sheets



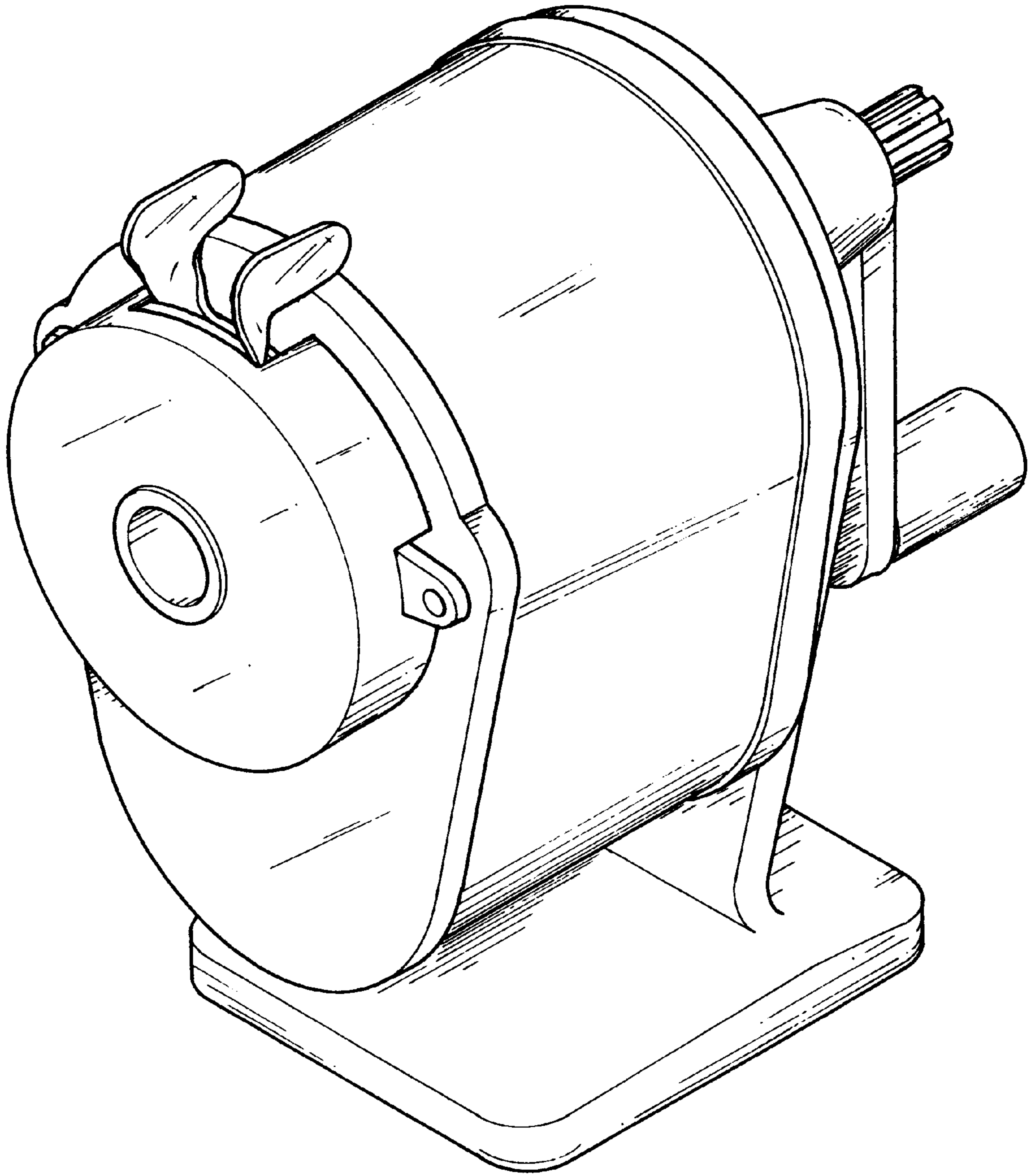


FIG. 1

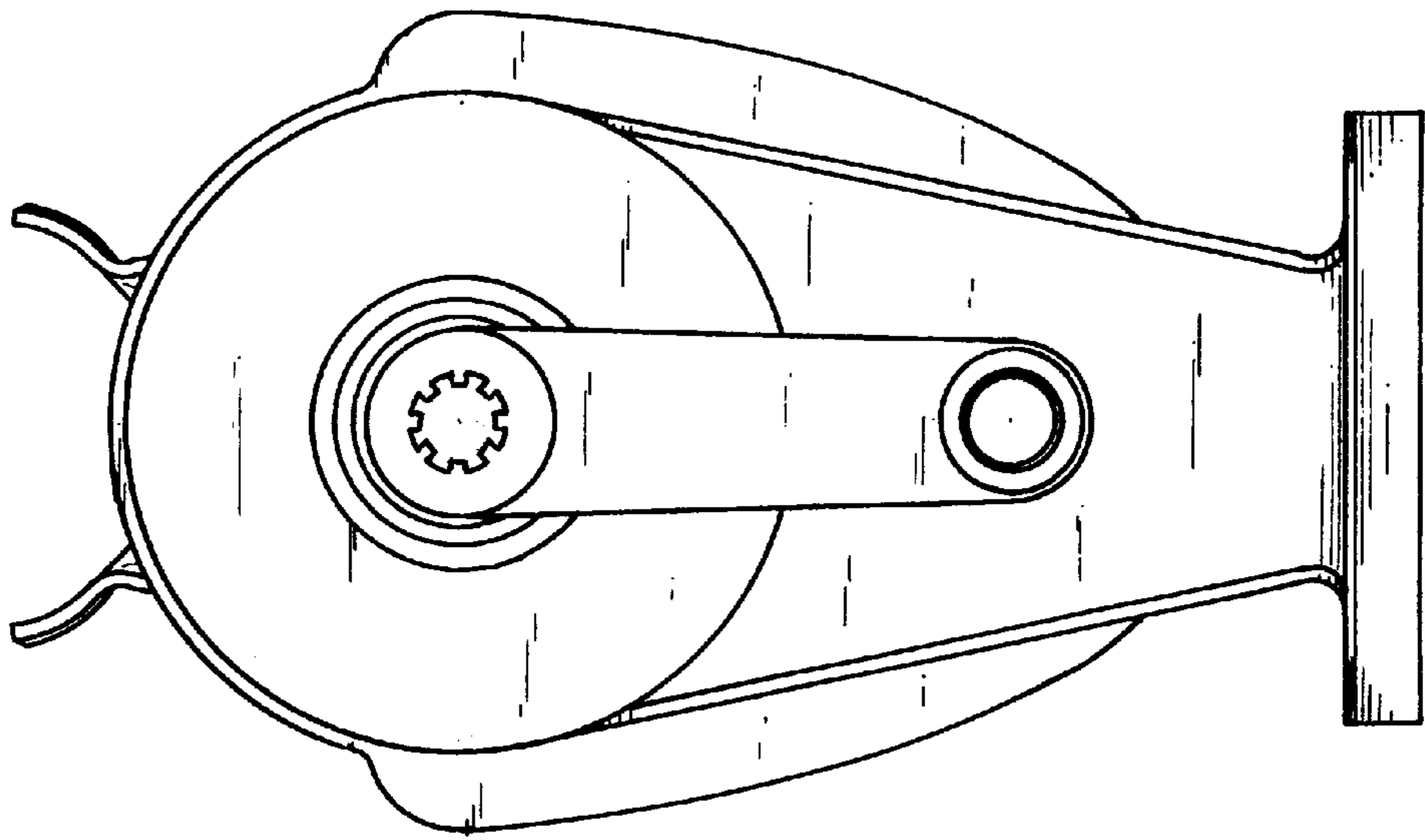


FIG.3

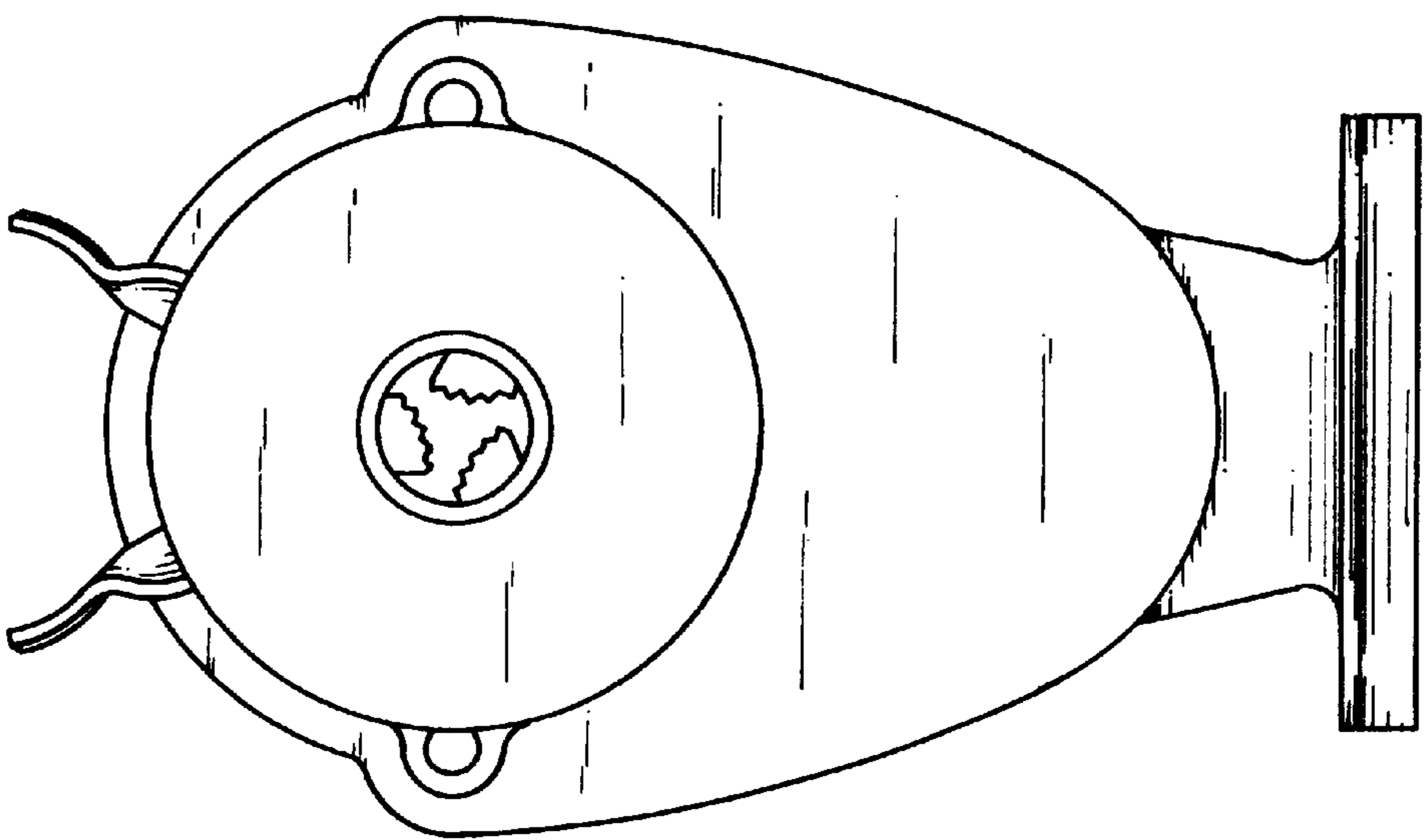


FIG.2

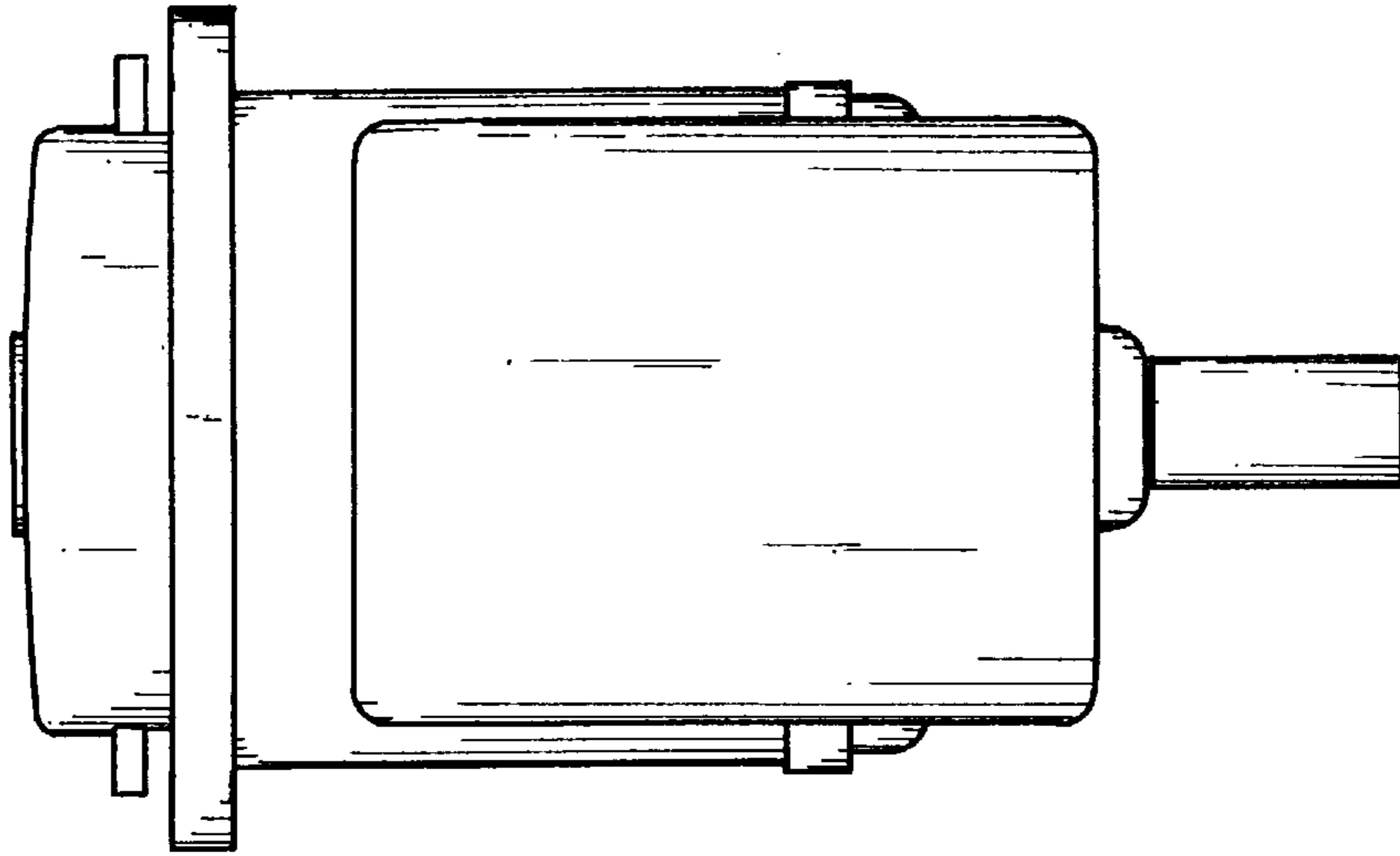


FIG. 5

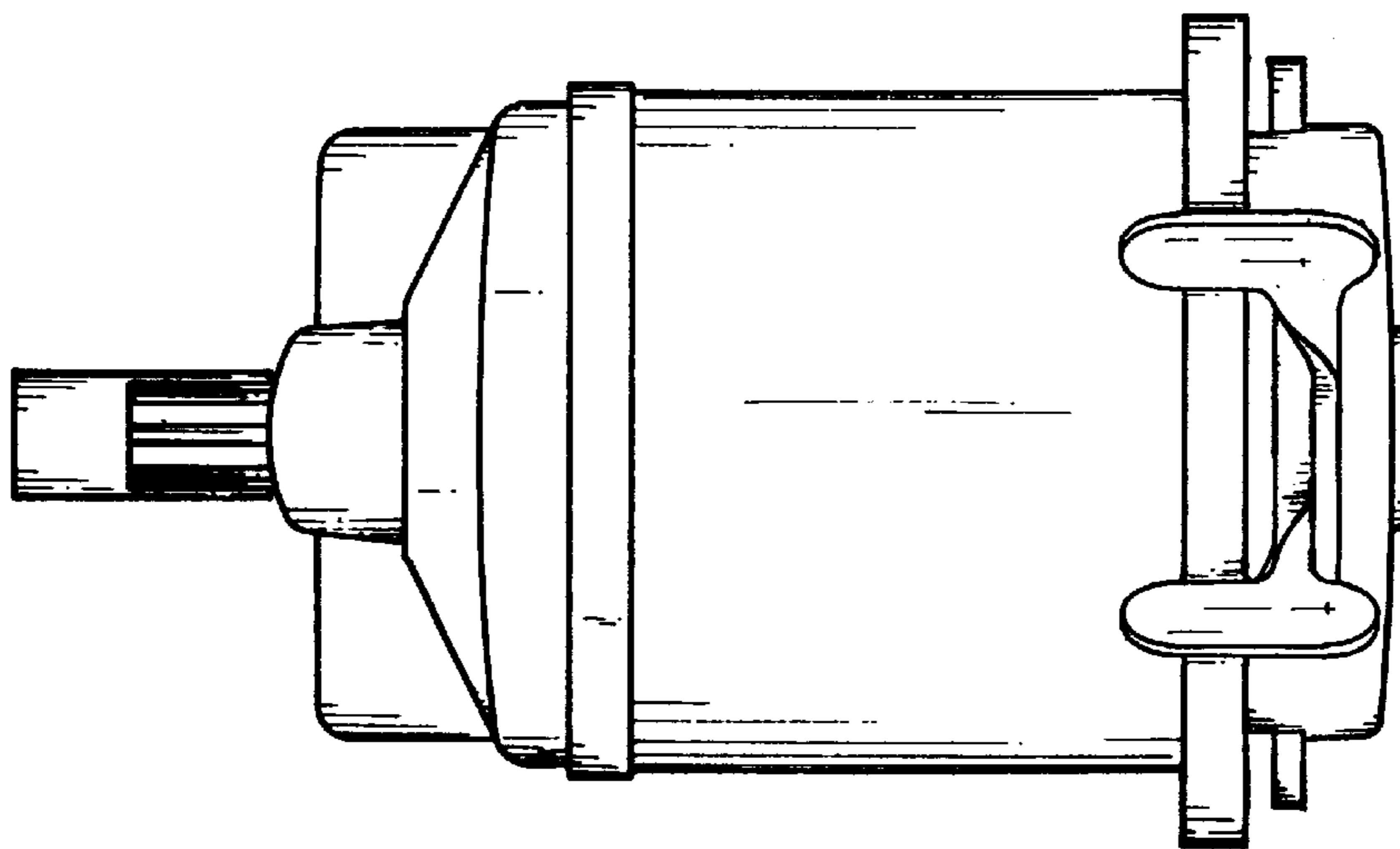


FIG. 4

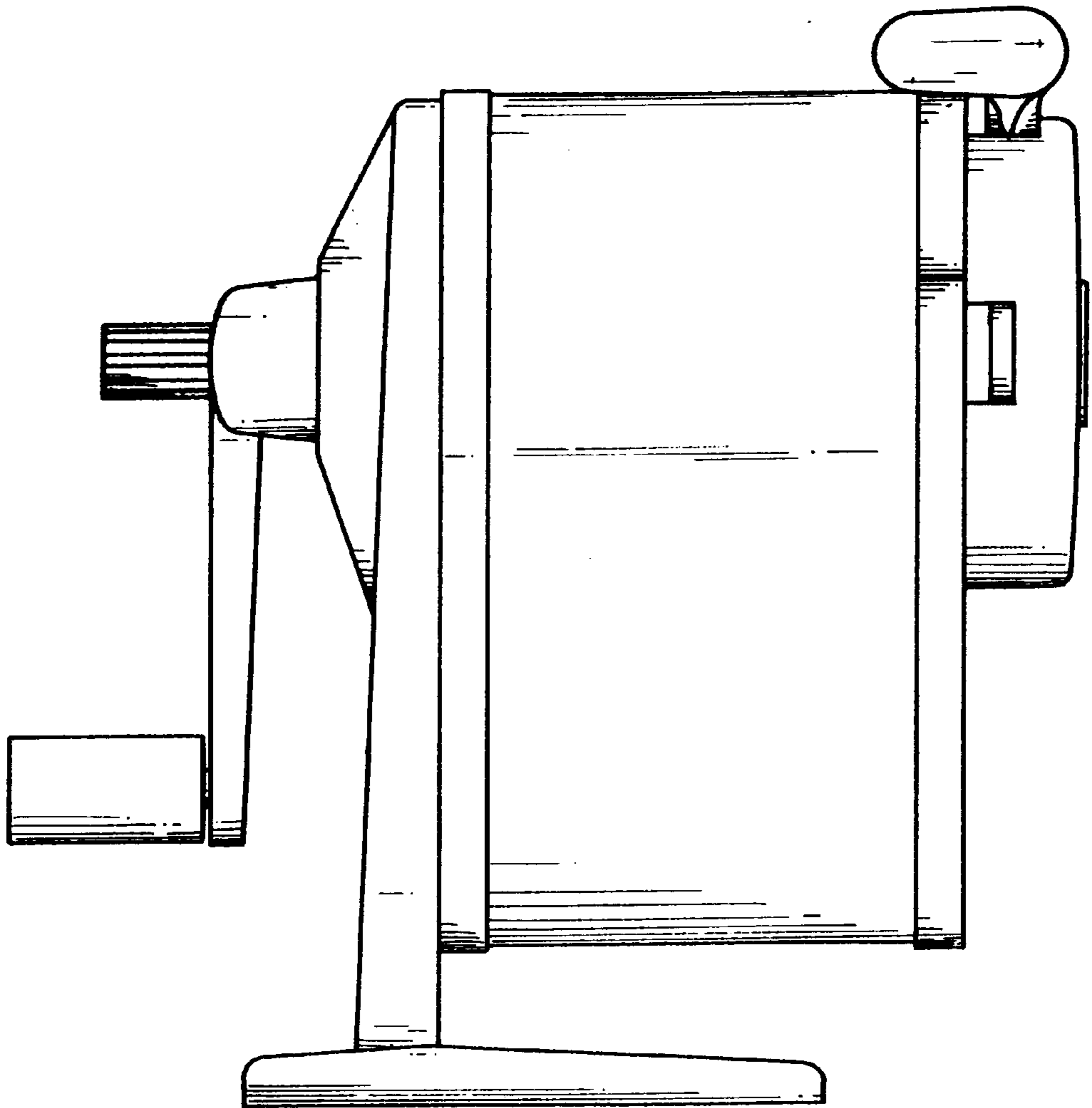


FIG.6

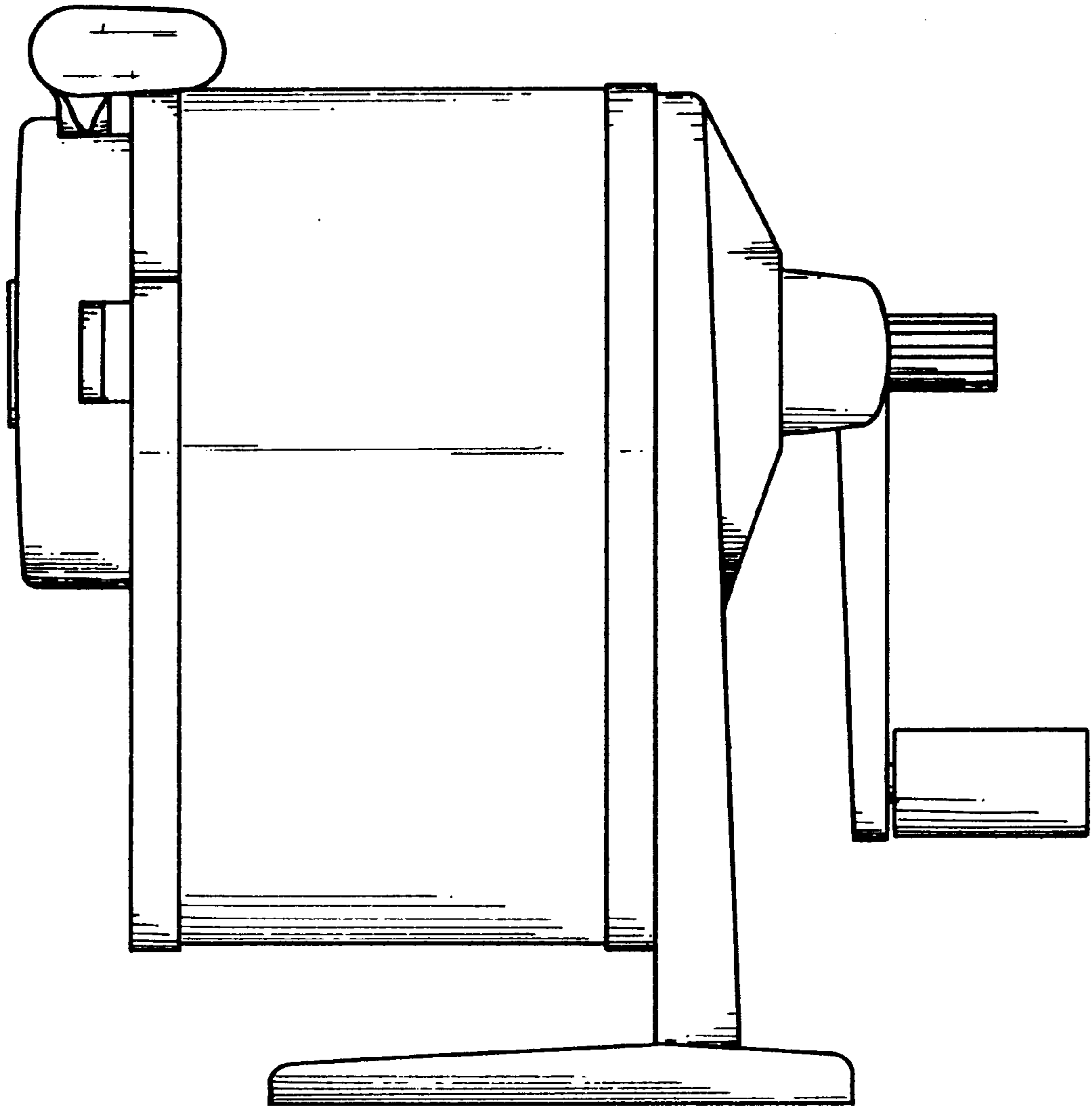


FIG. 7