



US00D417236S

United States Patent [19] Burrus

[11] Patent Number: Des. 417,236

[45] Date of Patent: ** Nov. 30, 1999

[54] WATCH-SHAPED BOOK

[75] Inventor: Gaetan Burrus, Paris, France

[73] Assignee: Editions Play Bac, Paris, France

[**] Term: 14 Years

[21] Appl. No.: 29/097,846

[22] Filed: Dec. 15, 1998

[30] Foreign Application Priority Data

Jun. 15, 1998 [XH] Hague Agreement DM-044.295

[51] LOC (6) Cl. 19-04

[52] U.S. Cl. D19/28; D19/26; D10/31

[58] Field of Search 19/1-6, 26, 27, 19/28, 32, 33; D10/31; 281/3.1, 15.1, 16, 17, 21.1, 30, 34, 36, 44, 45, 51; 224/219, 267, 174

[56] References Cited

U.S. PATENT DOCUMENTS

- D. 76,777 11/1928 Clark et al. D19/78
- D. 113,859 3/1939 Van Cott D19/86 X
- D. 154,536 7/1949 Forschner D19/28
- D. 186,541 11/1959 Streed D19/78 X
- D. 303,989 10/1989 Körner D19/26

- 1,670,720 5/1928 Gross 224/219 X
- 1,701,888 2/1929 Hofferberth 224/219 X
- 1,727,001 9/1929 Weaver 224/219 X
- 1,982,248 1/1934 Gebhardt 224/219 X
- 2,473,226 6/1949 Sheldon 224/219
- 2,996,899 8/1961 Donle 224/174 X
- 4,906,025 3/1990 Schreindl 224/219 X
- 5,531,481 7/1996 Wiltshire 281/44

Primary Examiner—Martie K. Holtje
Attorney, Agent, or Firm—Sughrue, Mion, Zinn, Macpeak & Seas, PLLC

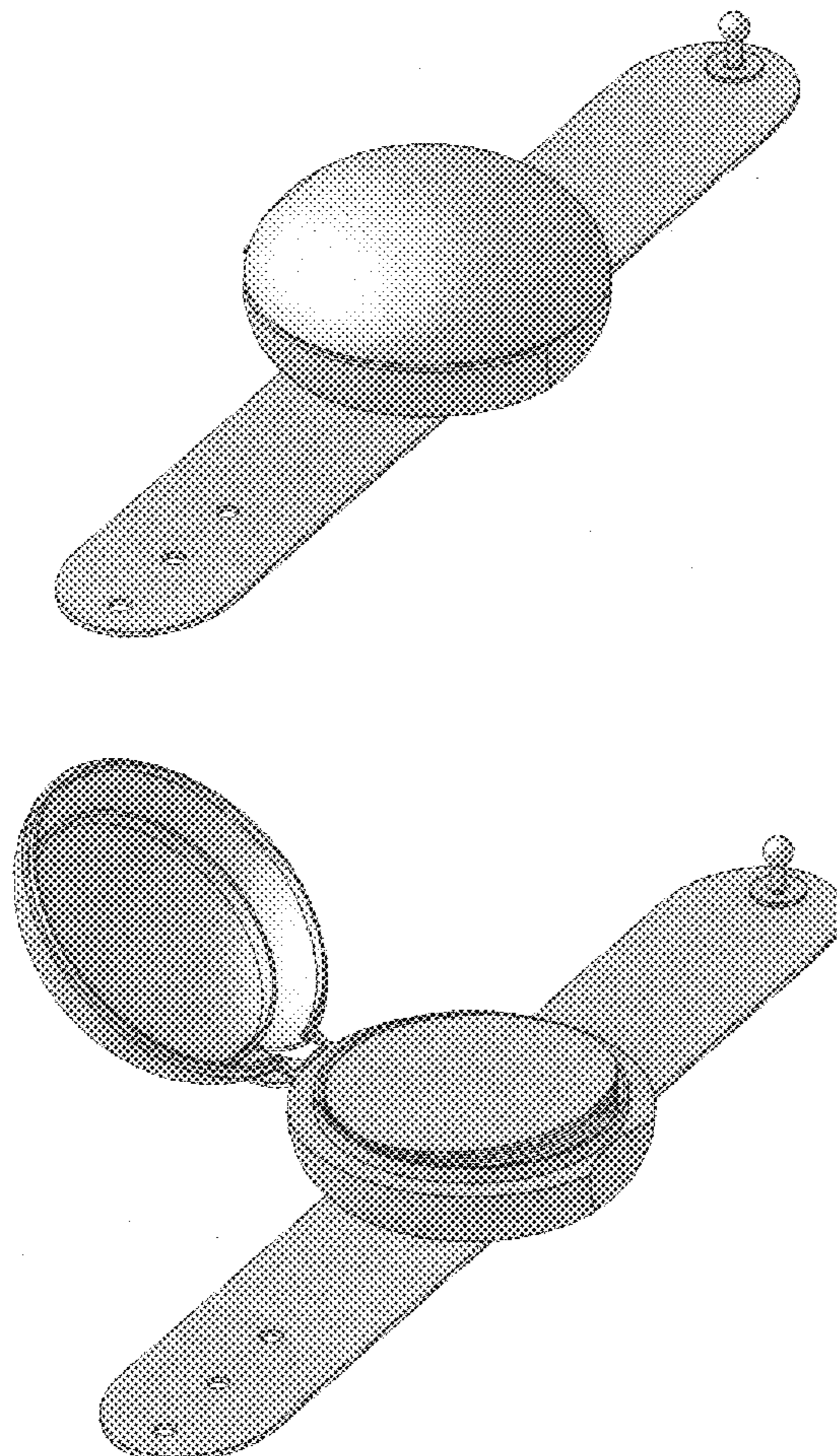
[57] CLAIM

The ornamental design for a watch-shaped book, as shown and described.

DESCRIPTION

FIG. 1 is a perspective view of the top, front and left side of a watch-shaped book showing my new design; FIG. 2 is a view similar to FIG. 1 with the case open; FIG. 3 is a top plan view thereof; FIG. 4 is a bottom plan view thereof; FIG. 5 is a rear elevational view thereof; FIG. 6 is a front elevational view thereof; FIG. 7 is a left side elevational view thereof; and, FIG. 8 is a right side elevational view thereof.

1 Claim, 4 Drawing Sheets



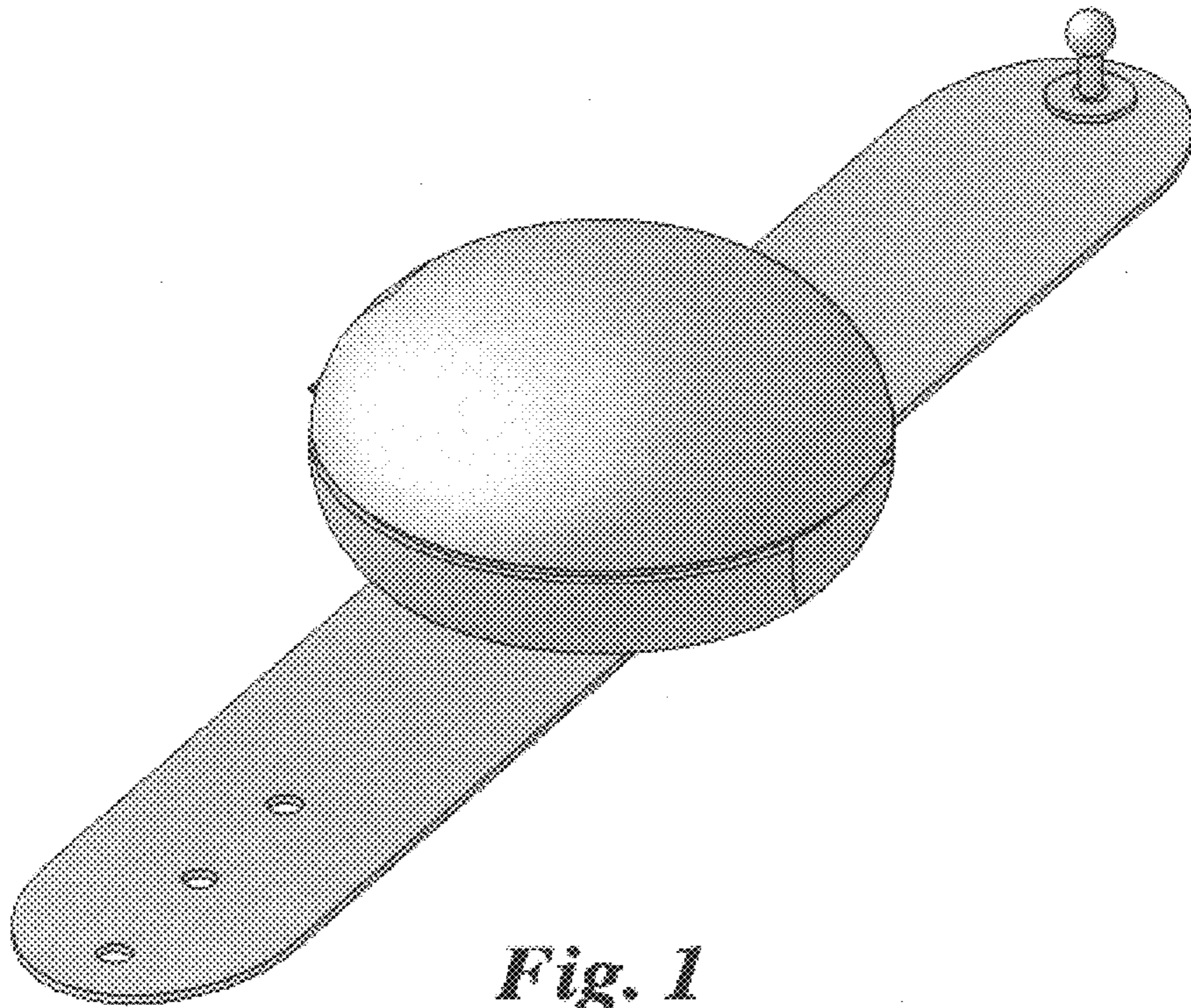


Fig. 1

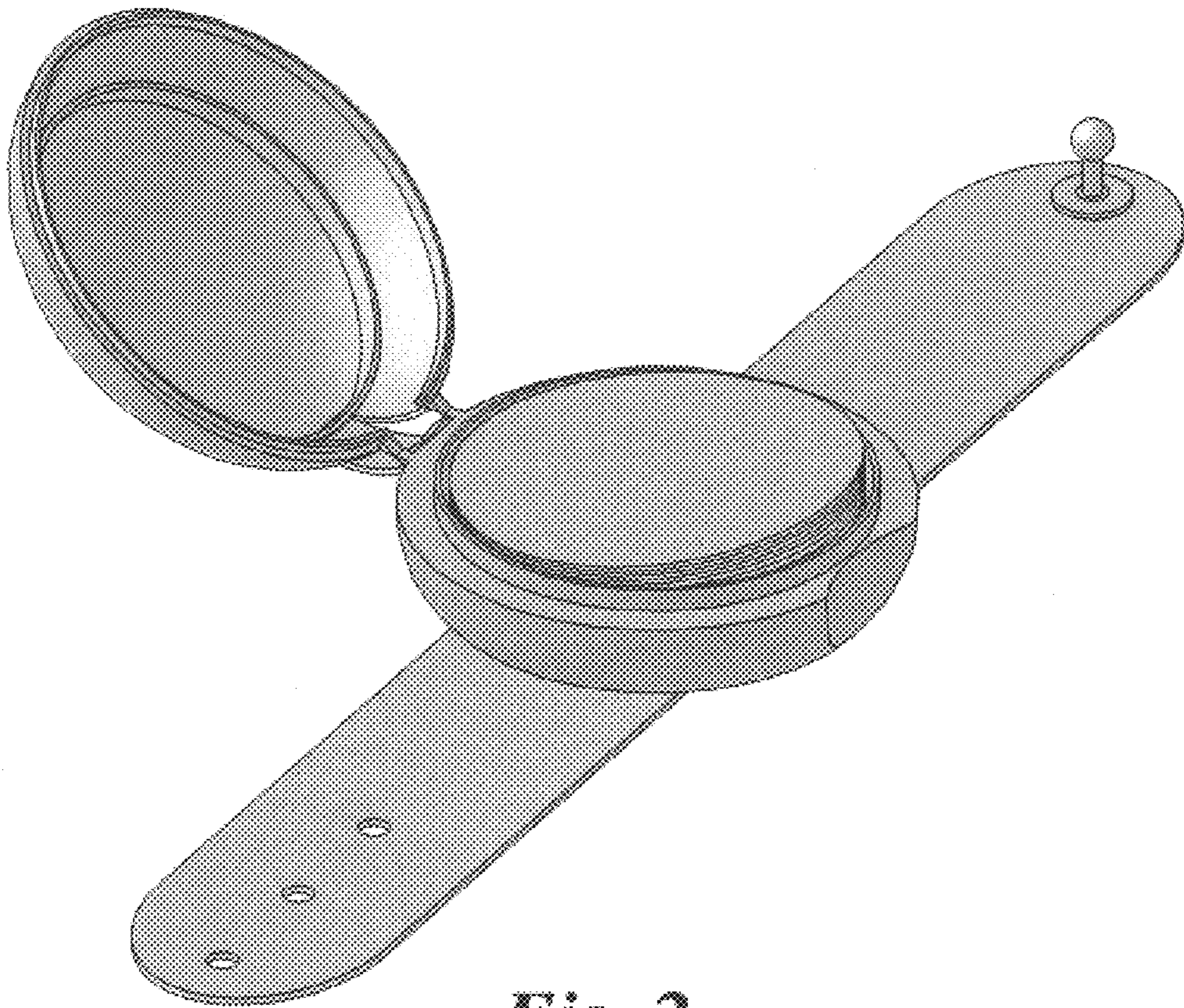


Fig. 2

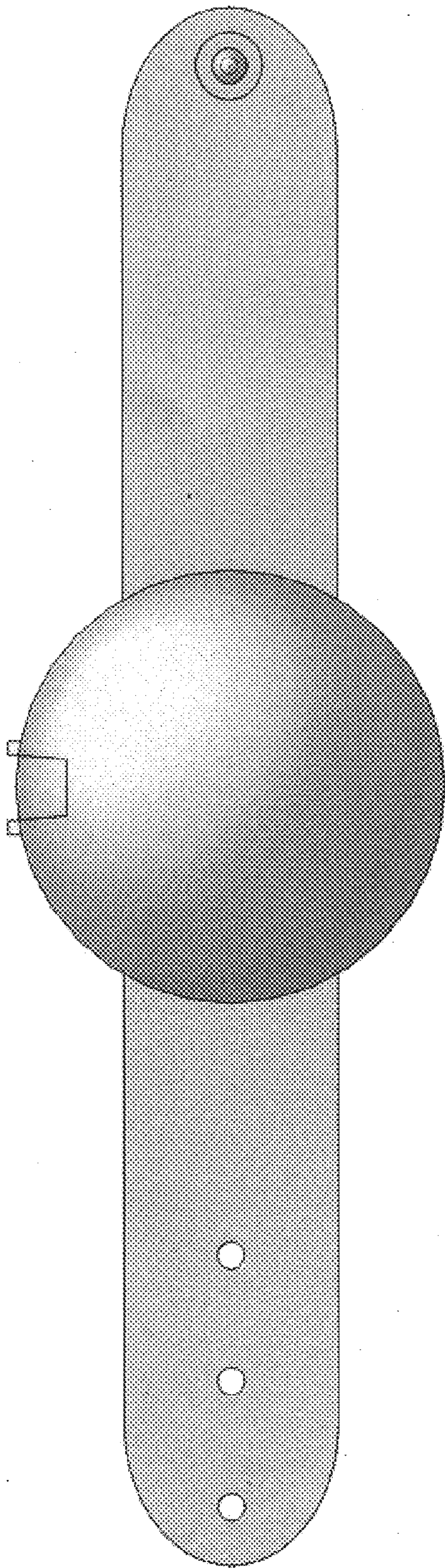


Fig. 3

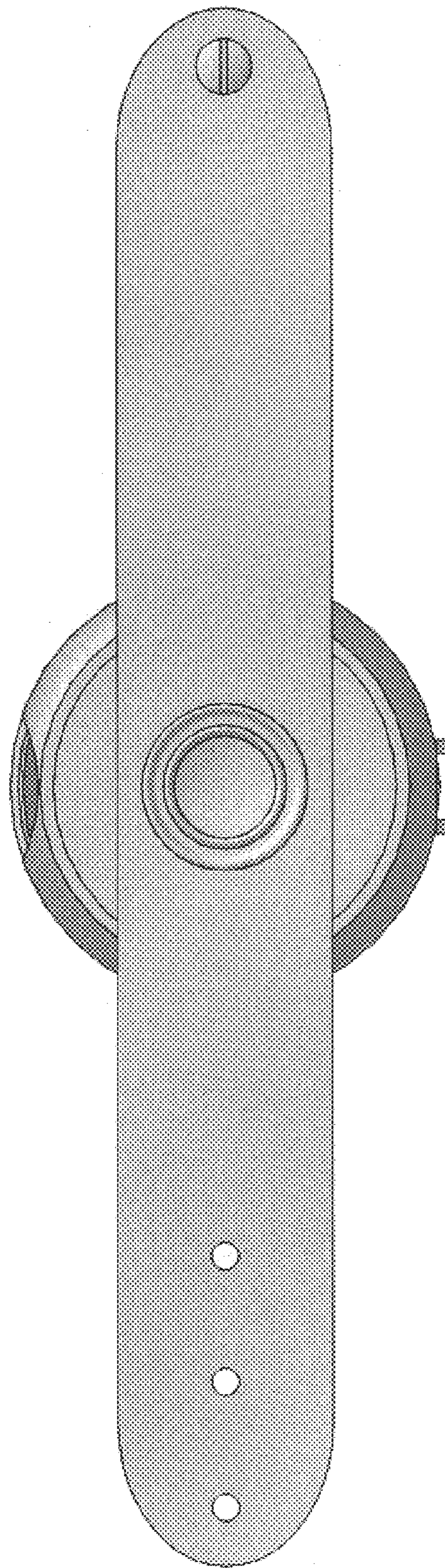


Fig. 4

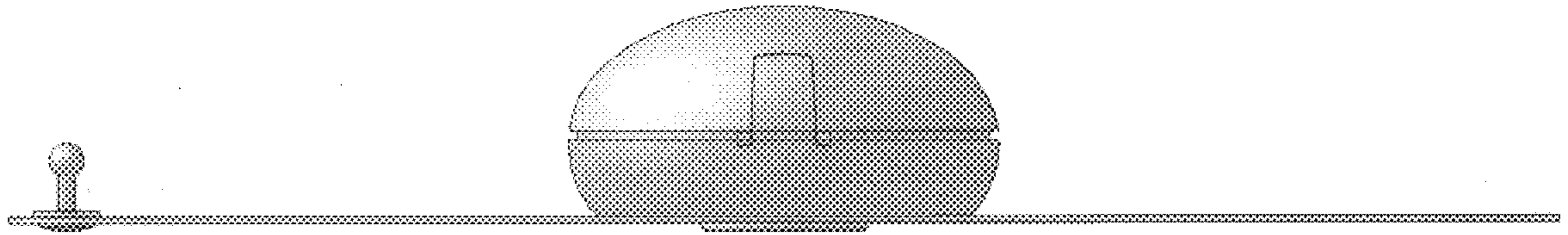


Fig. 5

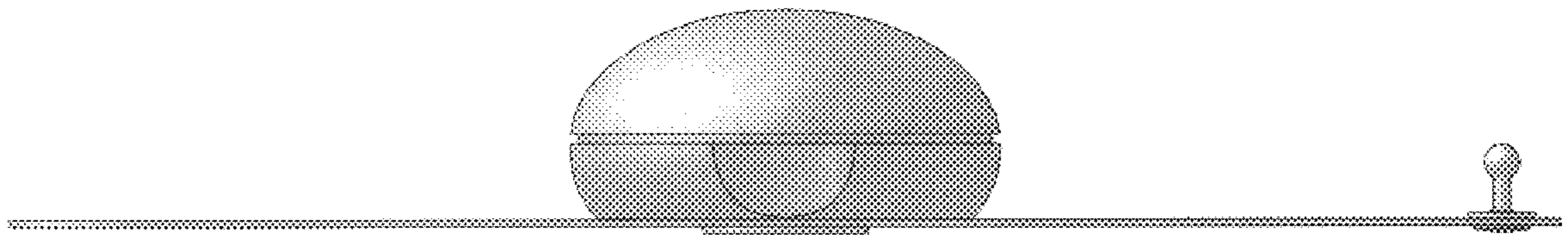


Fig. 6

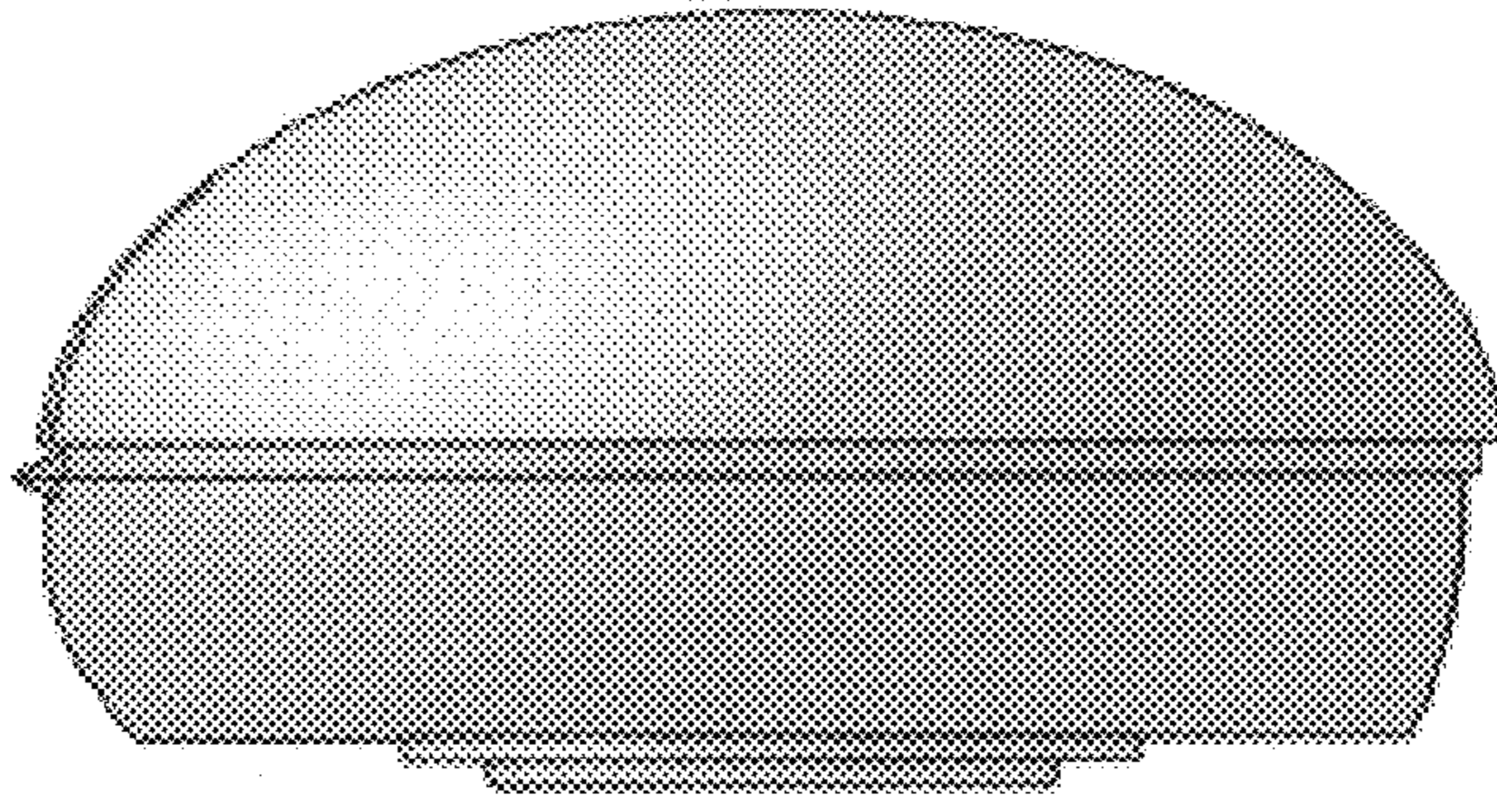


Fig. 7

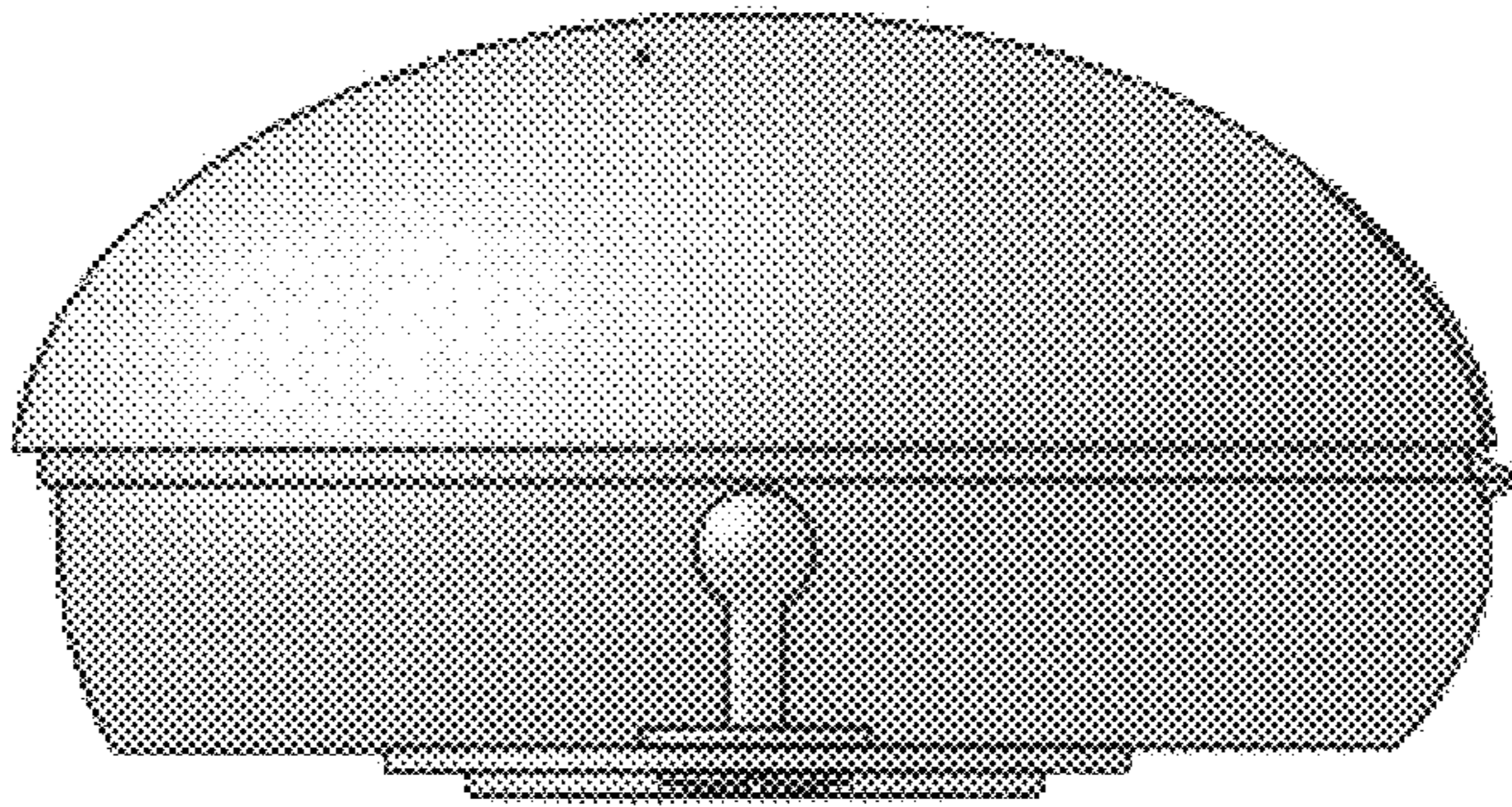


Fig. 8