



US00D417232S

# United States Patent [19] Harden

[11] Patent Number: Des. 417,232

[45] Date of Patent: \*\* Nov. 30, 1999

[54] **COMBINED STAMPER AND CAP**

[75] Inventor: **Dan Harden**, Palo Alto, Calif.

[73] Assignee: **Shachihata Inc.**, Nagoya, Japan

[\*\*] Term: **14 Years**

[21] Appl. No.: **29/075,723**

[22] Filed: **Jun. 30, 1997**

[51] **LOC (6) Cl.** ..... **19-02**

[52] **U.S. Cl.** ..... **D18/14; D18/15**

[58] **Field of Search** ..... D18/14-18; 118/264,  
118/268; 101/333, 327, 405, 406, 371-373,  
376

[56] **References Cited**

**U.S. PATENT DOCUMENTS**

D. 323,527	1/1992	Weir et al.	.....	D18/15
D. 372,729	8/1996	Hewitt	.....	D18/18
D. 376,383	12/1996	Harden	.....	D18/14
D. 378,597	3/1997	Harden	.....	D18/14
D. 385,905	11/1997	Harden	.....	D18/15
D. 391,983	3/1998	Yamaguchi	.....	D18/15

**OTHER PUBLICATIONS**

Miller Office Products Catalog. p. 905, Custom Stamps, items "A" and "D", 1997.

*Primary Examiner*—Louis S. Zarfes

*Assistant Examiner*—Gregory Andoll

*Attorney, Agent, or Firm*—Evenson, McKeown, Edwards & Lenahan, PLLC

[57] **CLAIM**

The ornamental design for a combined stamper and cap, as shown and described.

**DESCRIPTION**

FIG. 1 is a top, front and right side perspective view of a combined stamper and cap, showing my new design;

FIG. 2 is an exploded view of FIG. 1;

FIG. 3 is a bottom, rear and left side perspective view of the stamper portion of the combined stamper and cap;

FIG. 4 is a front view of the combined stamper and cap, the rear view being a mirror image thereof;

FIG. 5 is a top plan view of the combined stamper and cap;

FIG. 6 is a bottom plan view of the combined stamper and cap;

FIG. 7 is a right side view of the combined stamper and cap, the left side view being a mirror image thereof;

FIG. 8 is a bottom plan view of the stamper portion of the combined stamper and cap; and,

FIG. 9 is a top view of the cap portion of the combined stamper and cap.

**1 Claim, 4 Drawing Sheets**

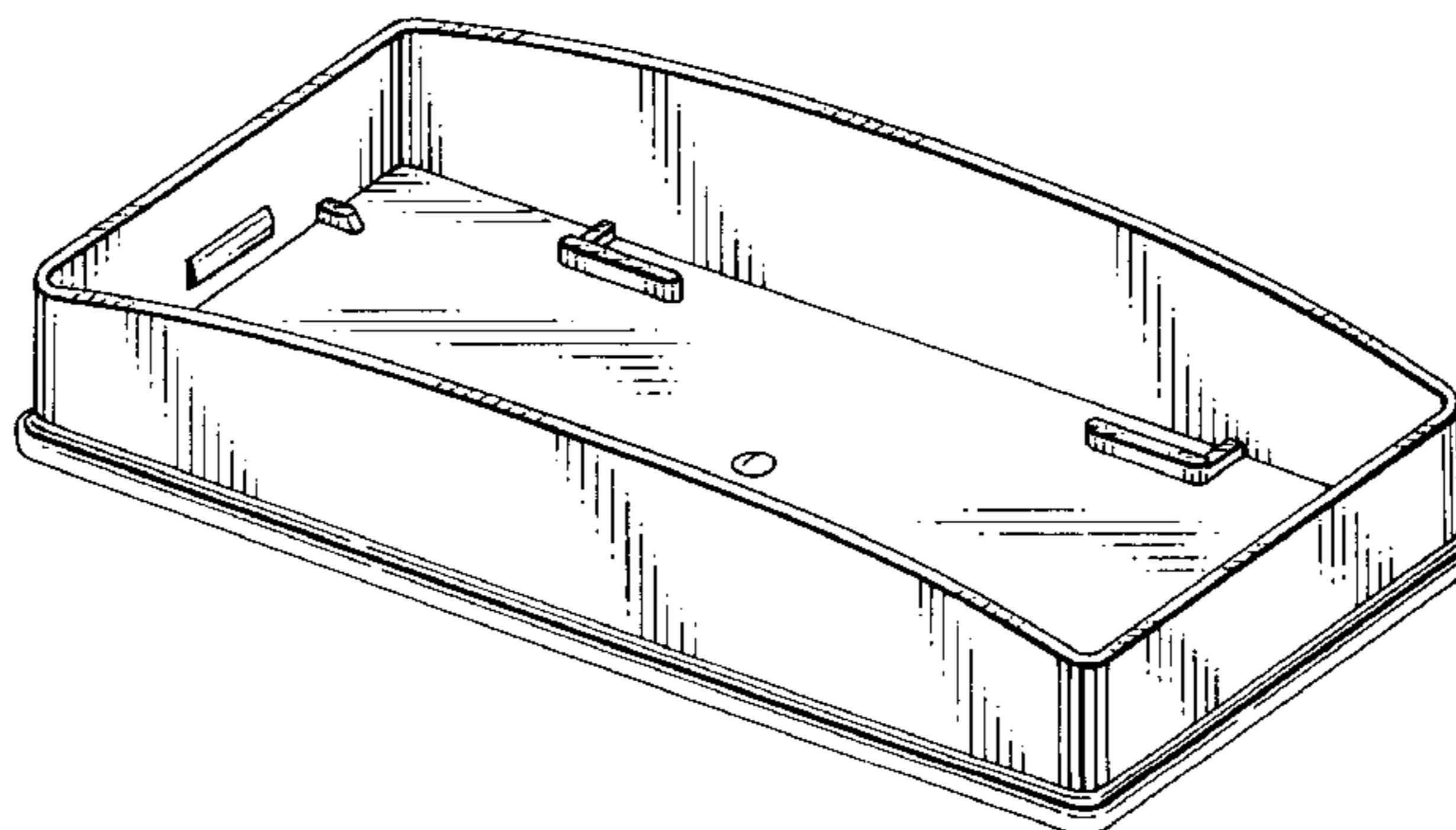
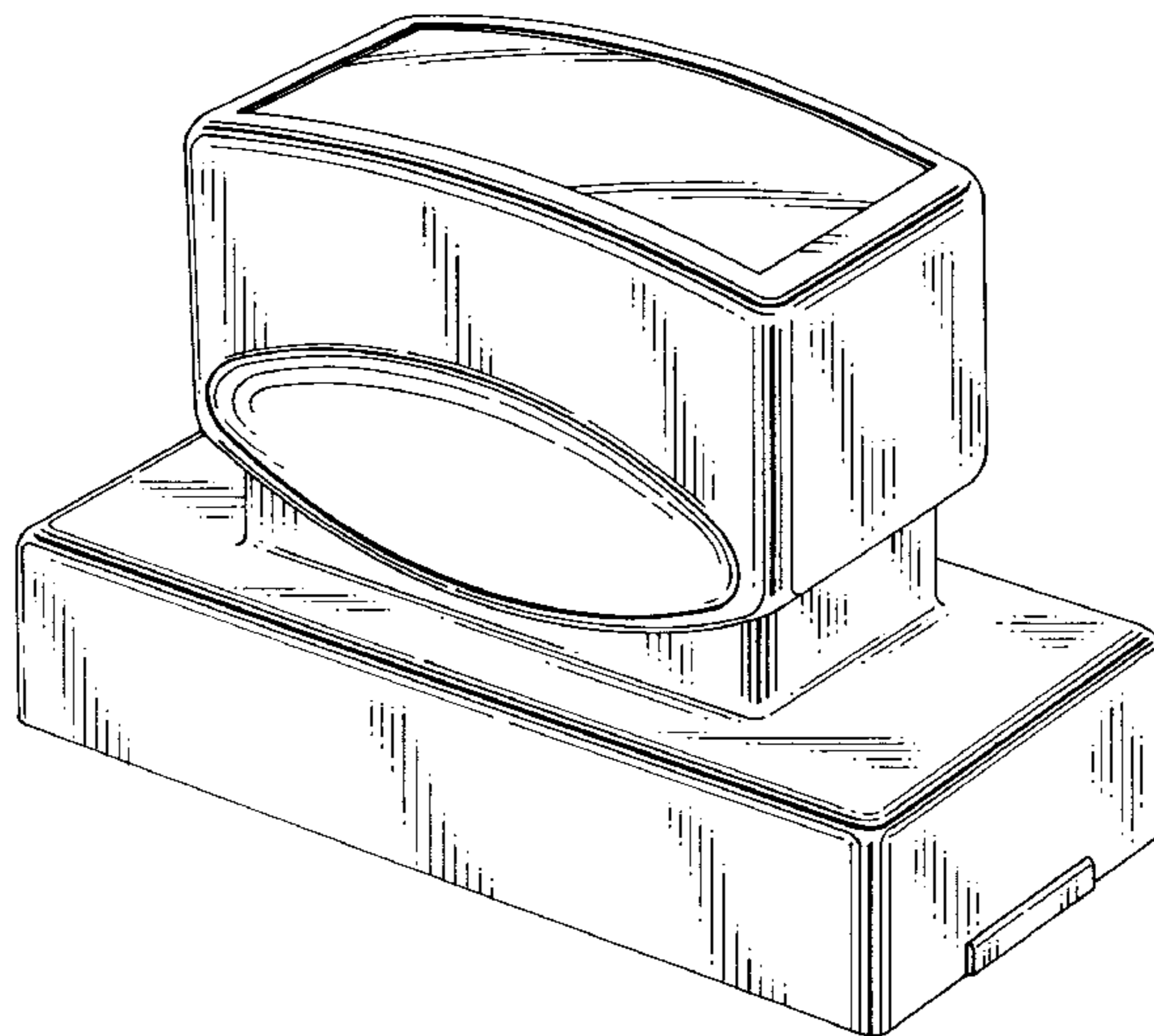


FIG. 1

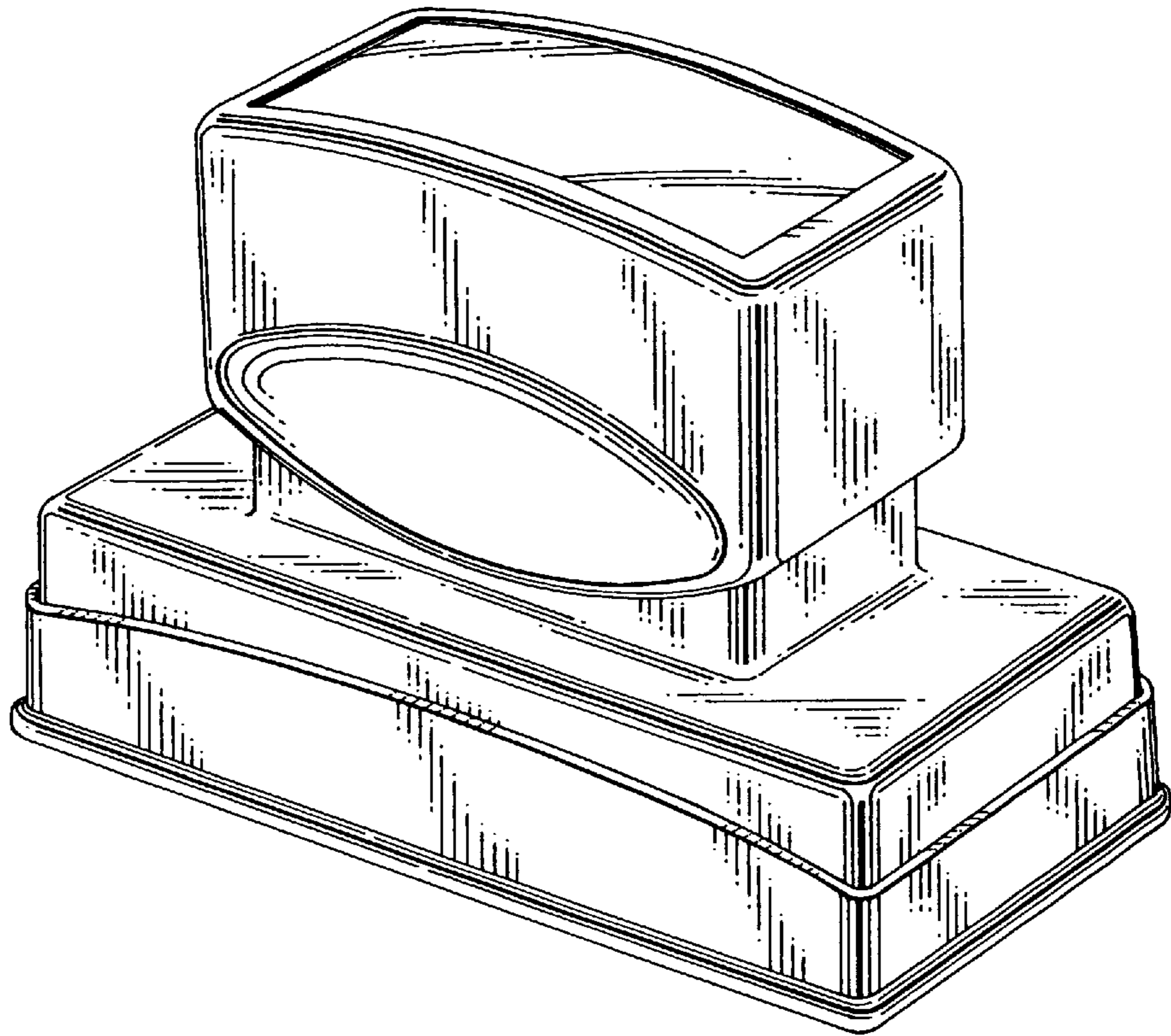


FIG. 3

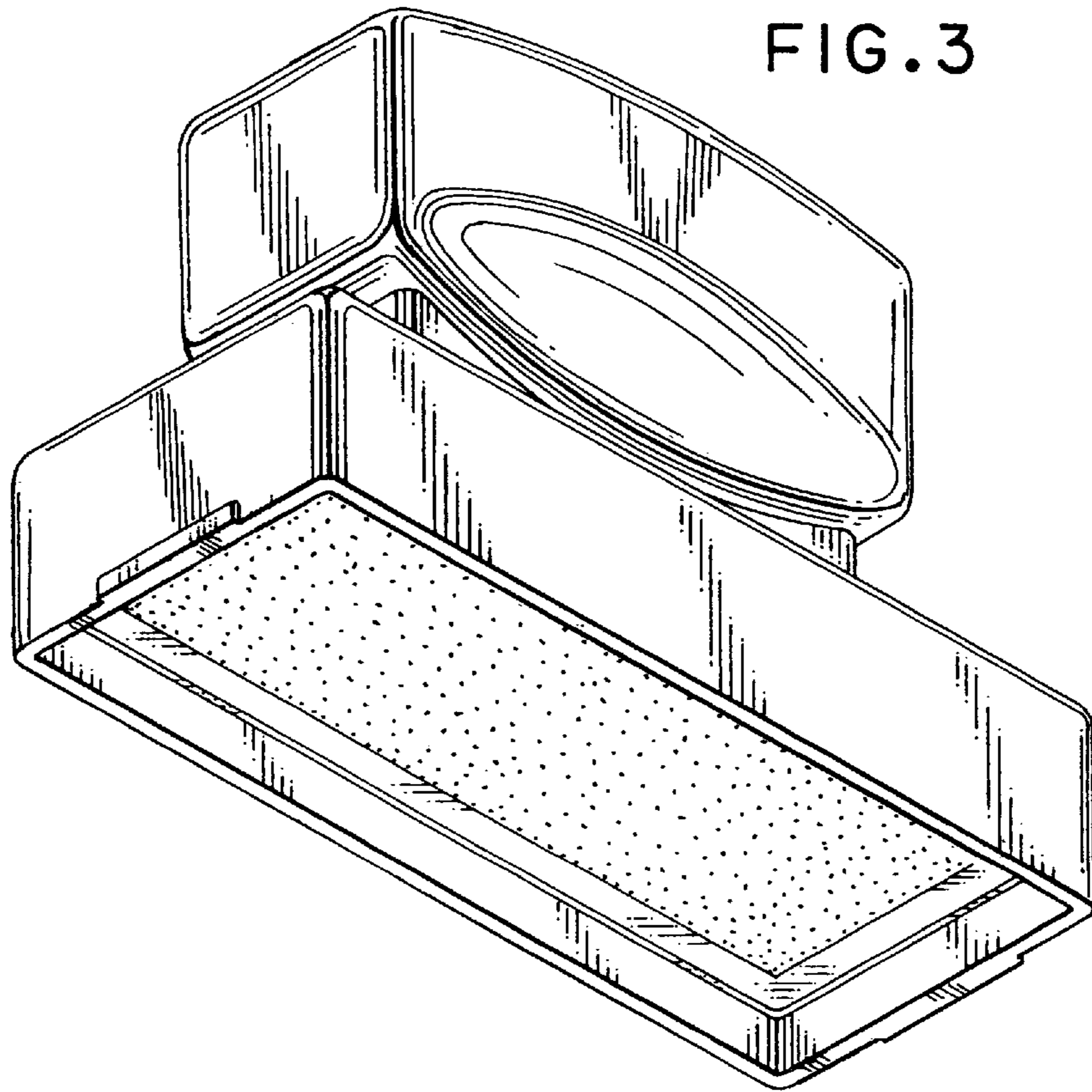


FIG. 2

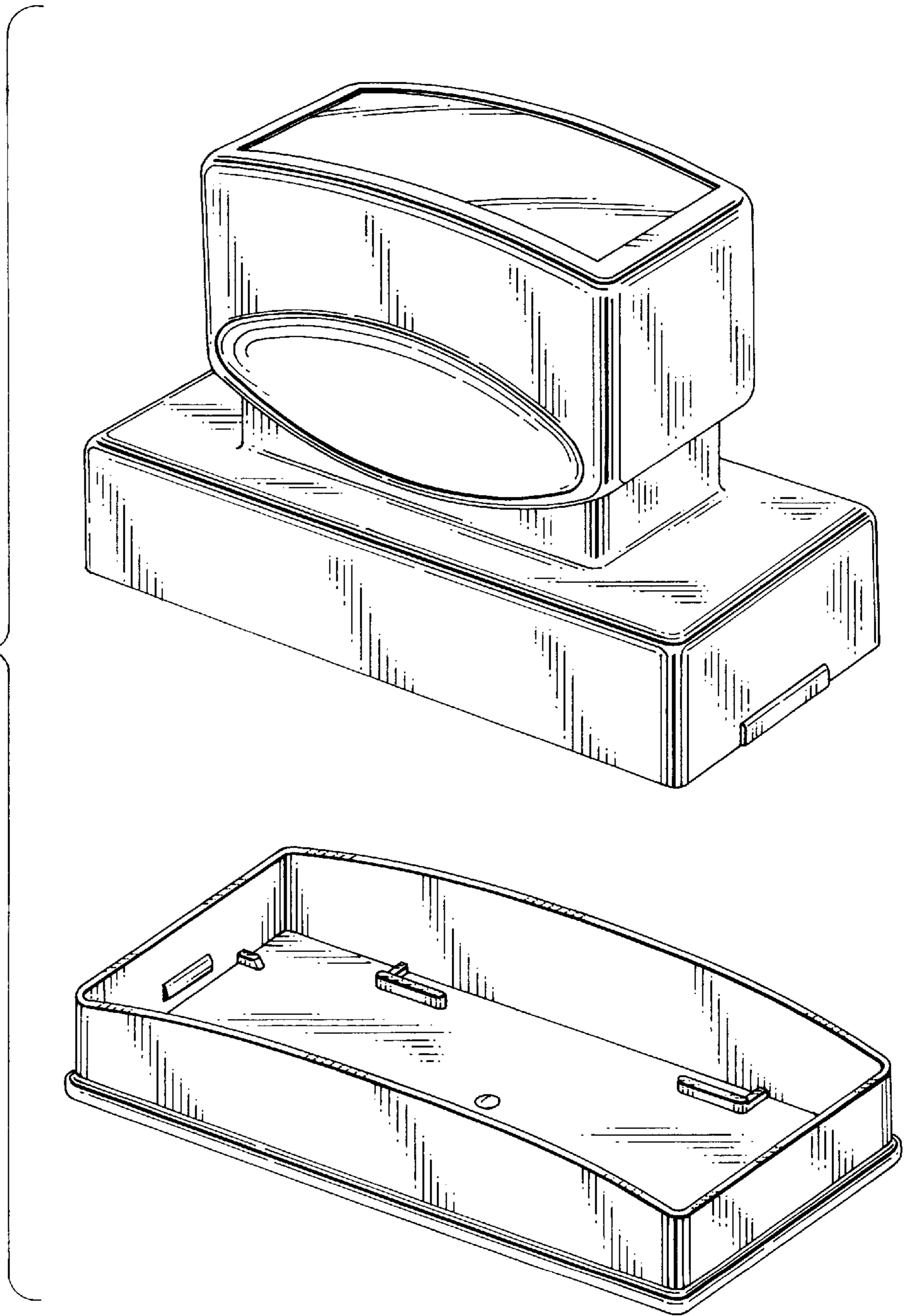


FIG. 4

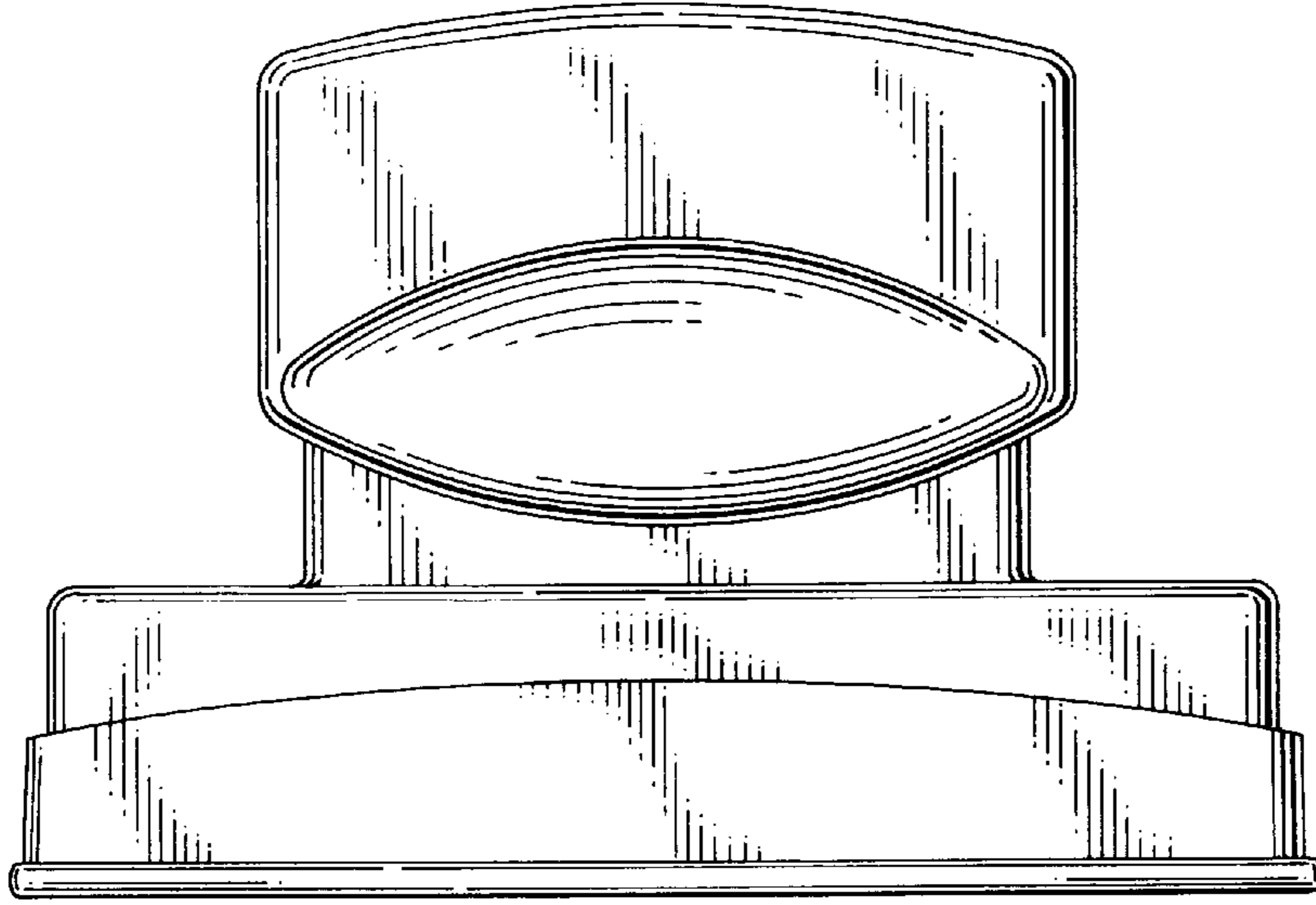


FIG. 5

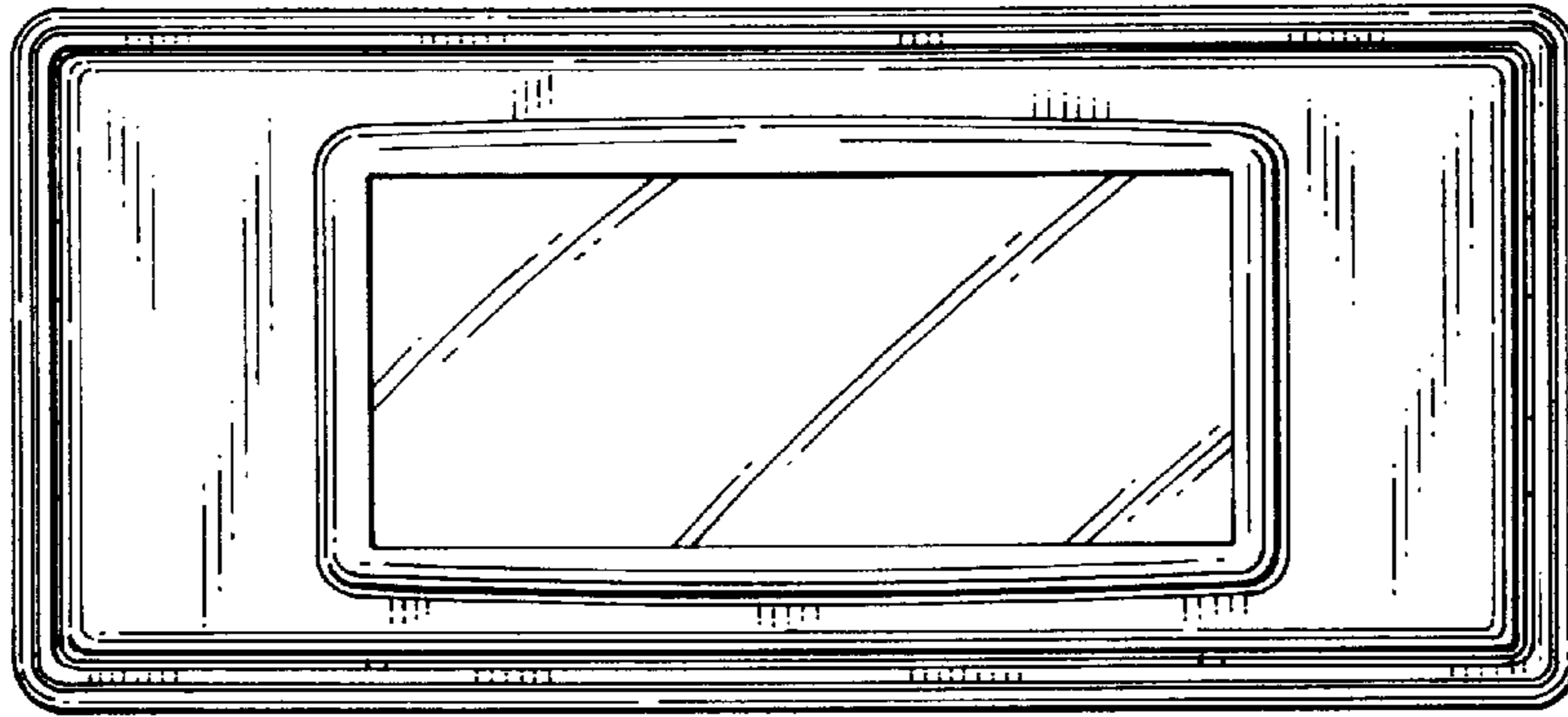


FIG. 6

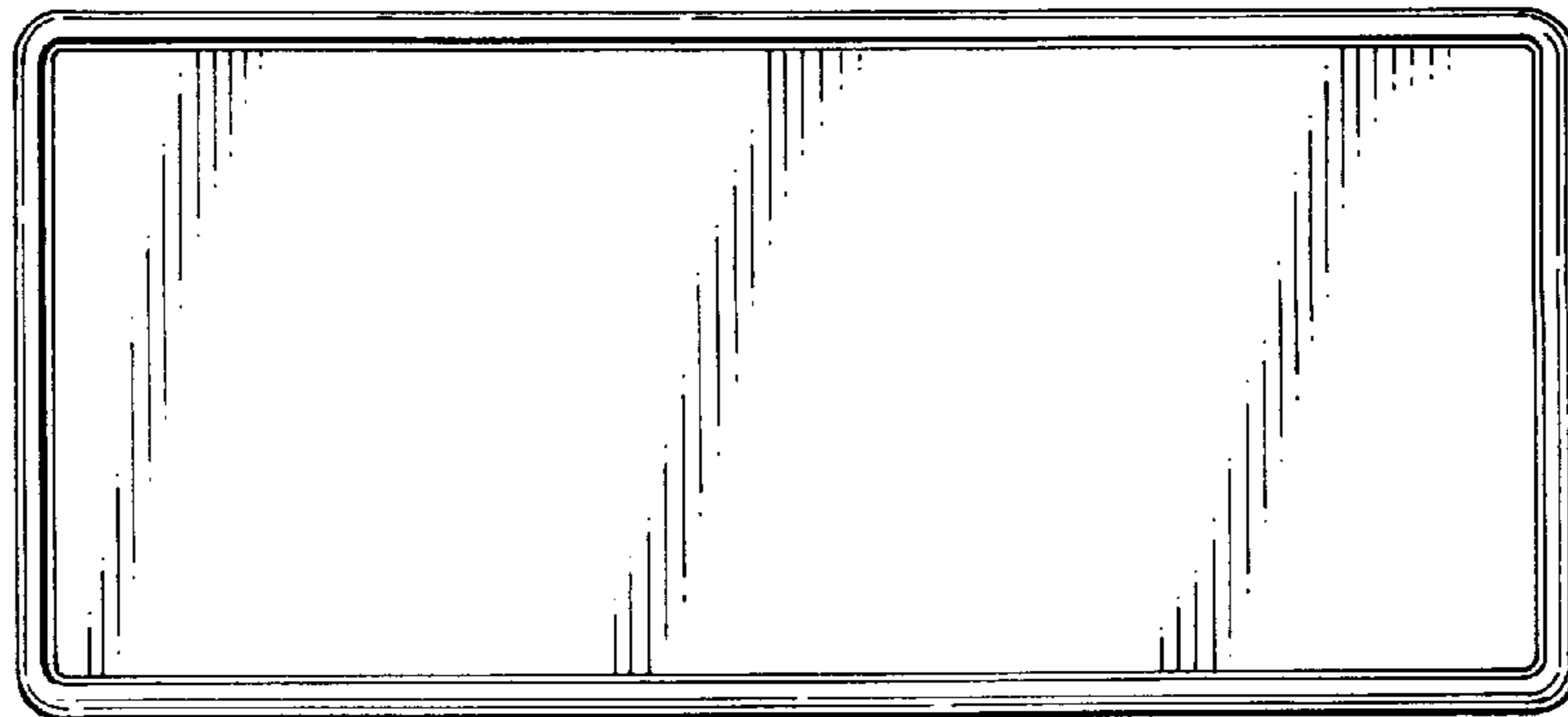


FIG. 7

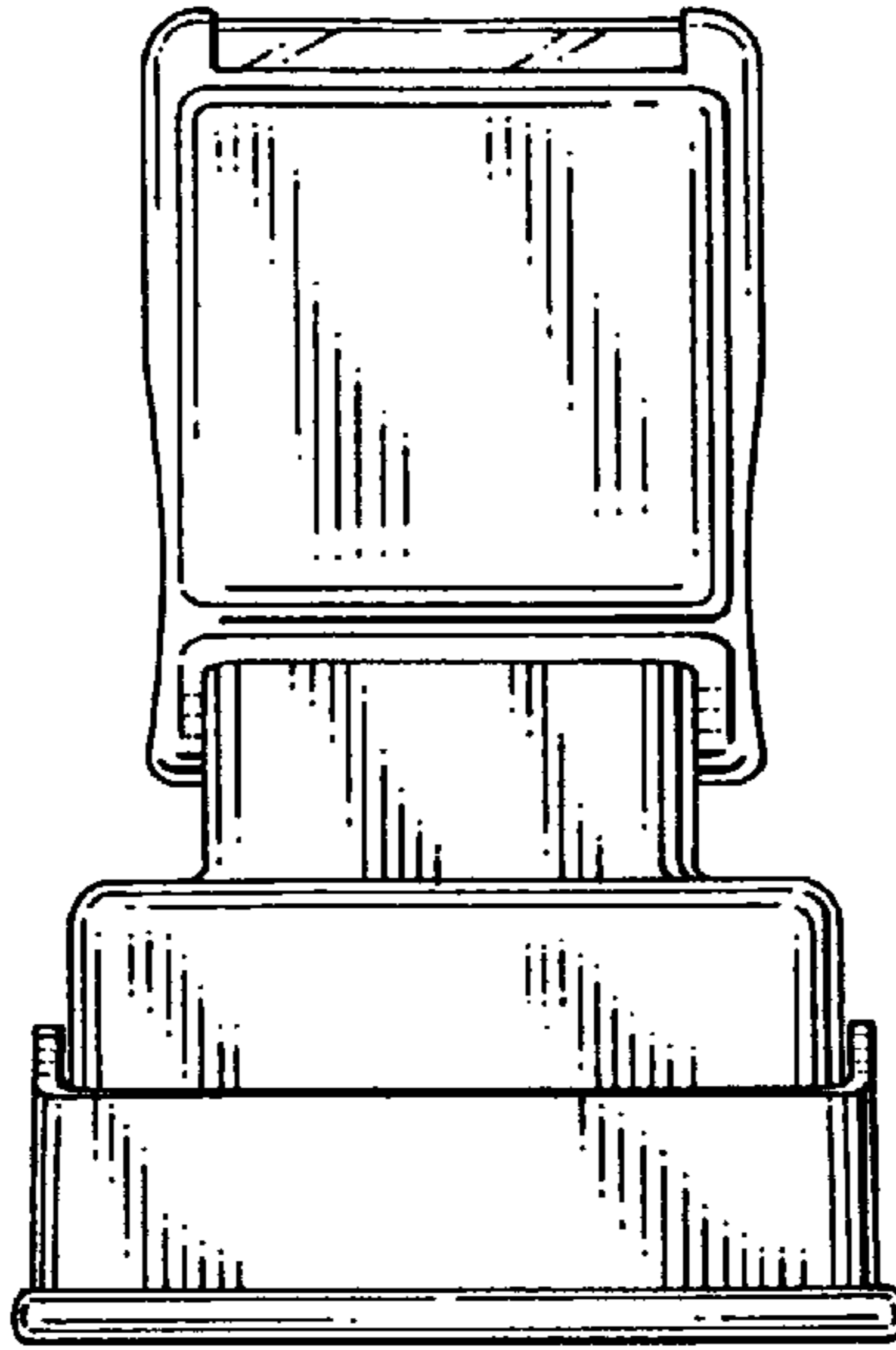


FIG. 8

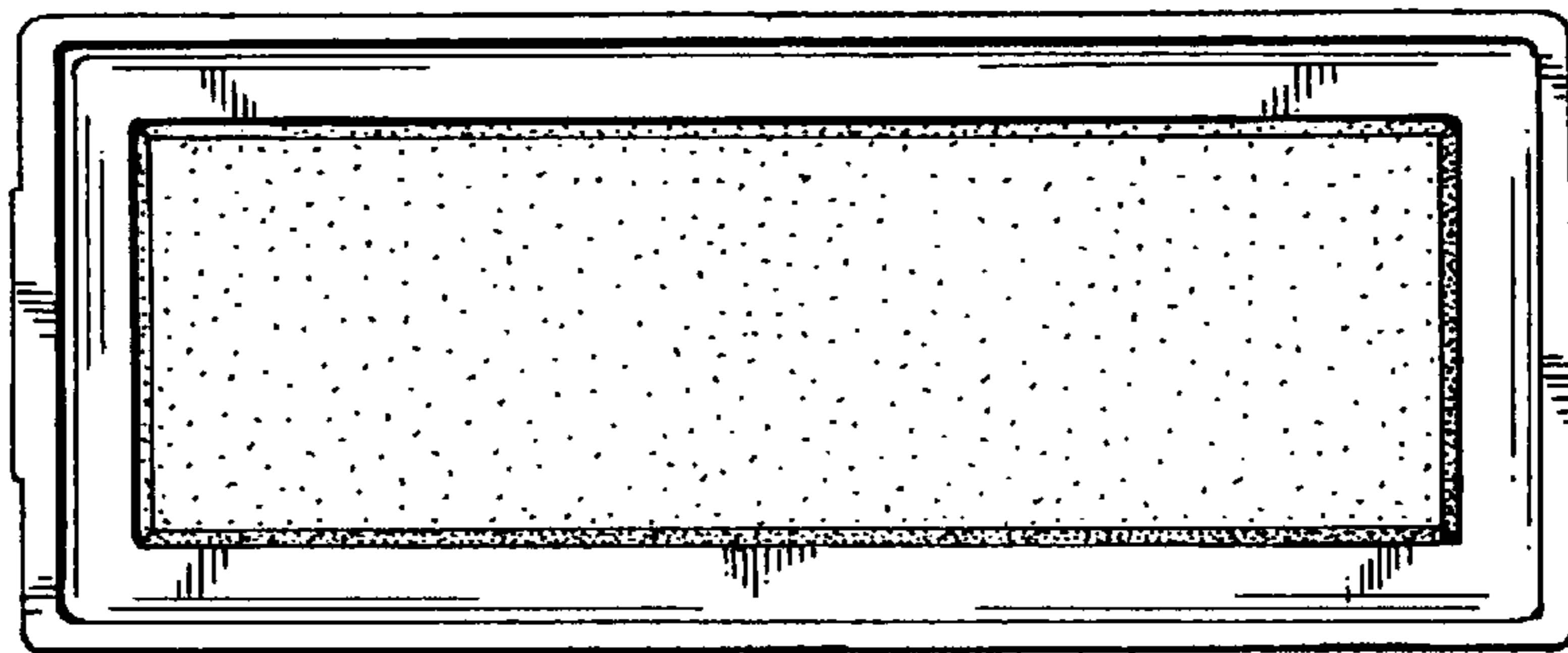


FIG. 9

