



US00D417230S

**United States Patent** [19]  
**Sumita**

[11] **Patent Number: Des. 417,230**  
[45] **Date of Patent: \*\* Nov. 30, 1999**

[54] **COMBINED VIDEO TAPE RECORDER AND CAMERA**

- [75] Inventor: **Kaoru Sumita**, Tokyo, Japan
- [73] Assignee: **Sony Corporation**, Tokyo, Japan
- [\*\*] Term: **14 Years**
- [21] Appl. No.: **29/073,882**
- [22] Filed: **Jul. 18, 1997**

**Related U.S. Application Data**

- [63] Continuation of application No. 29/037,114, Apr. 3, 1995, Pat. No. Des. 381,995, which is a continuation-in-part of application No. 29/034,706, Feb. 10, 1995, abandoned.
- [51] **LOC (6) Cl.** ..... **16-01**
- [52] **U.S. Cl.** ..... **D16/202**
- [58] **Field of Search** ..... **D16/200-208;**  
**348/373-376; 358/906; 396/535-543; H04N 2/225**

[56] **References Cited**

**U.S. PATENT DOCUMENTS**

D. 346,614	5/1994	Sumita	.....	D16/202
D. 355,664	2/1995	Kataoka	.....	D16/202
D. 356,589	3/1995	Sumita	.....	D16/202
D. 380,764	7/1997	Ishii	.....	D16/202
D. 381,996	8/1997	Kobayashi	.....	D16/202
D. 385,568	10/1997	Harata	.....	D16/202
D. 400,900	11/1998	Harata	.....	D16/202
5,305,030	4/1994	Yokoyama et al.	.....	396/27
5,444,507	8/1995	Palmer	.....	396/421
5,499,052	3/1996	Nakanishi et al.	.....	348/373

**FOREIGN PATENT DOCUMENTS**

5-37833 2/1993 Japan ..... H04N 5/225

*Primary Examiner*—Adir Aronovich  
*Attorney, Agent, or Firm*—Foley and Lardner

[57] **CLAIM**

The ornamental design for a combined video tape recorder and camera, as shown and described.

**DESCRIPTION**

FIG. 1 is a top, right perspective view of a first embodiment of a combined video tape recorder and camera showing my new design;

FIG. 2 is a left side elevational view thereof;

FIG. 3 is a front elevational view thereof;

FIG. 4 is a top plan view thereof;

FIG. 5 is a right side elevational view thereof;

FIG. 6 is a bottom plan view thereof;

FIG. 7 is a rear elevational view thereof;

FIG. 8 is a top, right perspective view of a second embodiment of a combined video tape recorder and camera showing my new design;

FIG. 9 is a top, left perspective view thereof, wherein the lid portions are in the open position;

FIG. 10 is a left side elevational view of a second embodiment of a combined video tape recorder and camera showing my new design;

FIG. 11 is a front elevational view thereof;

FIG. 12 is a top plan view thereof;

FIG. 13 is a right side elevational view thereof;

FIG. 14 is a bottom plan view thereof; and,

FIG. 15 is a rear elevational view thereof.

**1 Claim, 5 Drawing Sheets**

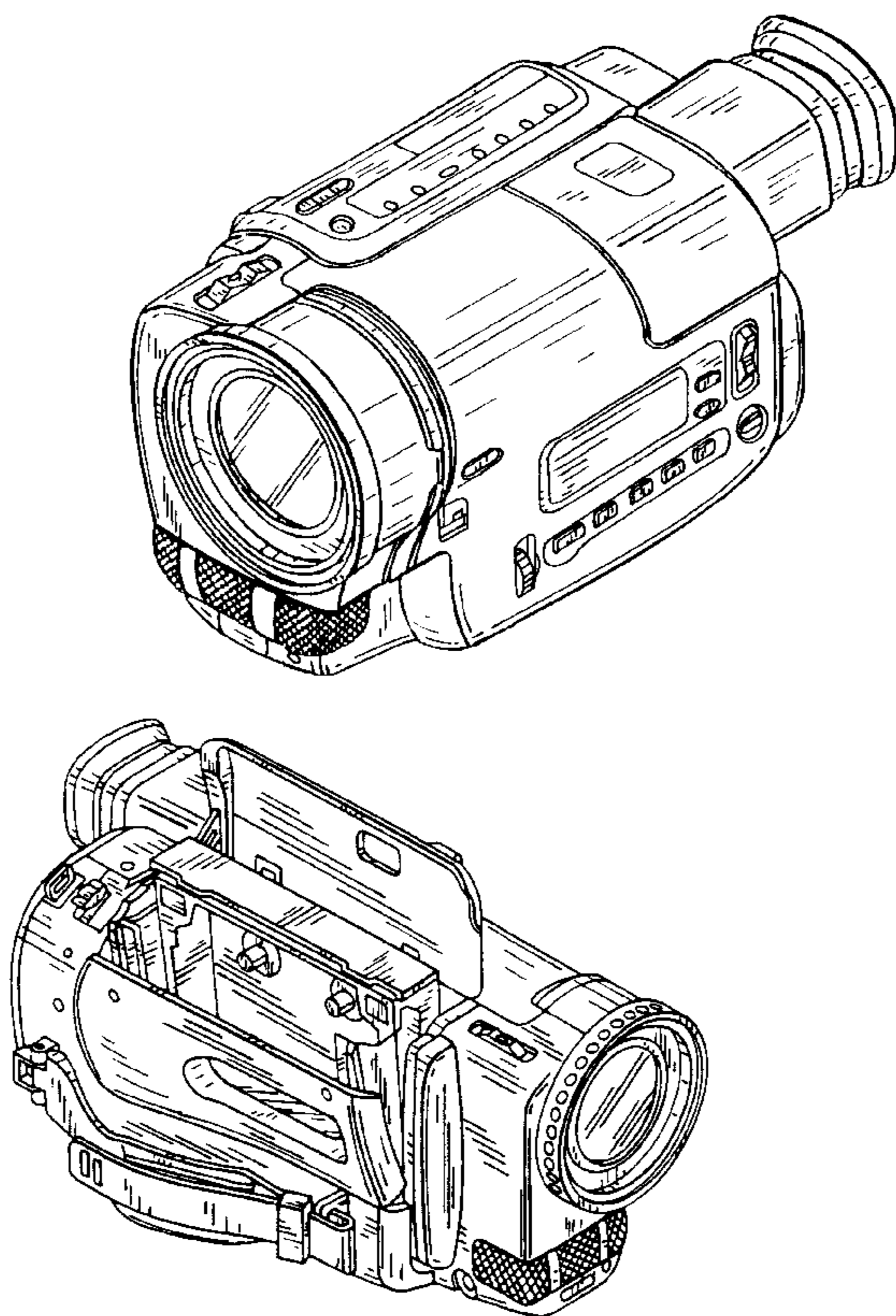


FIG. 1

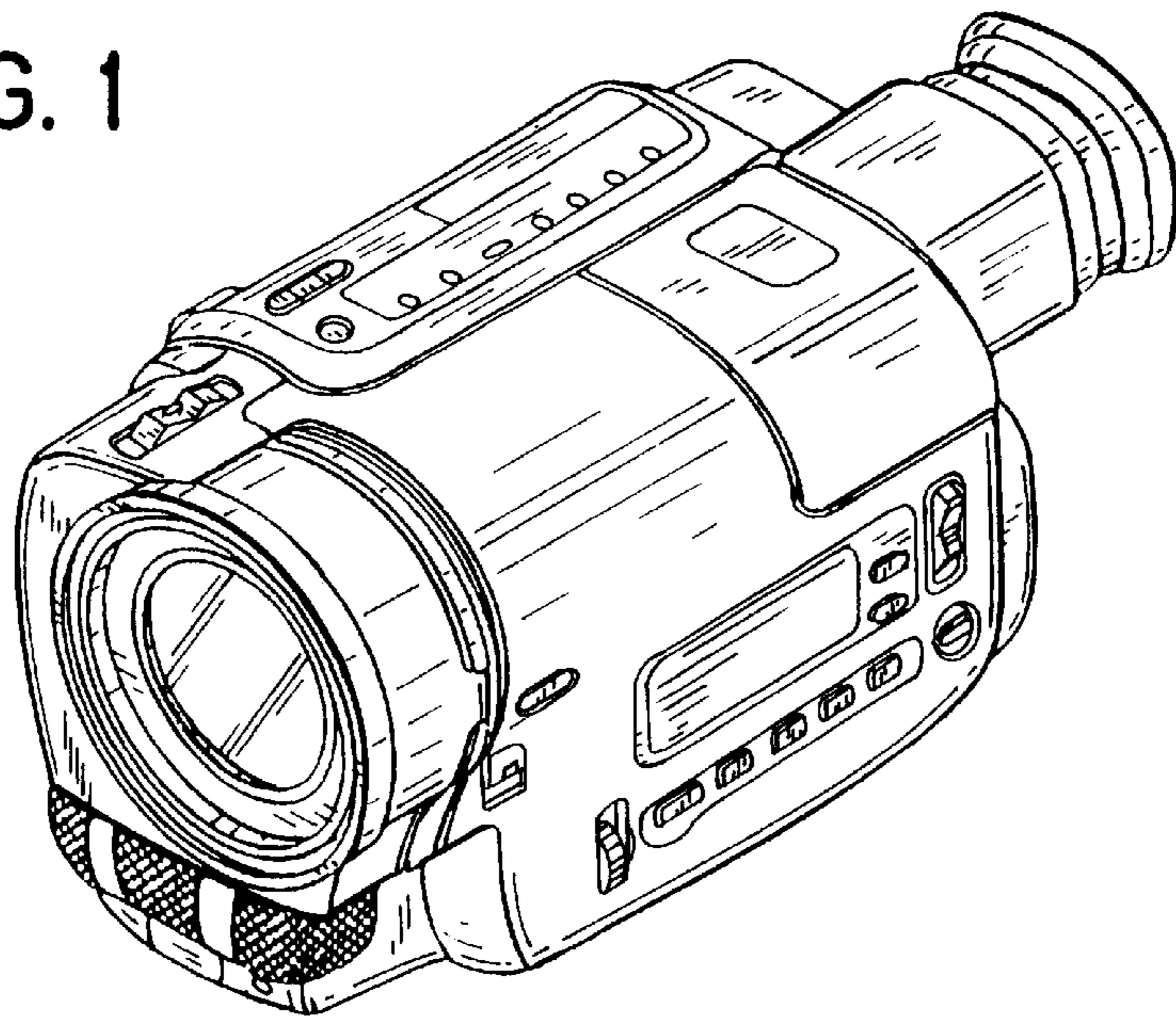


FIG. 2

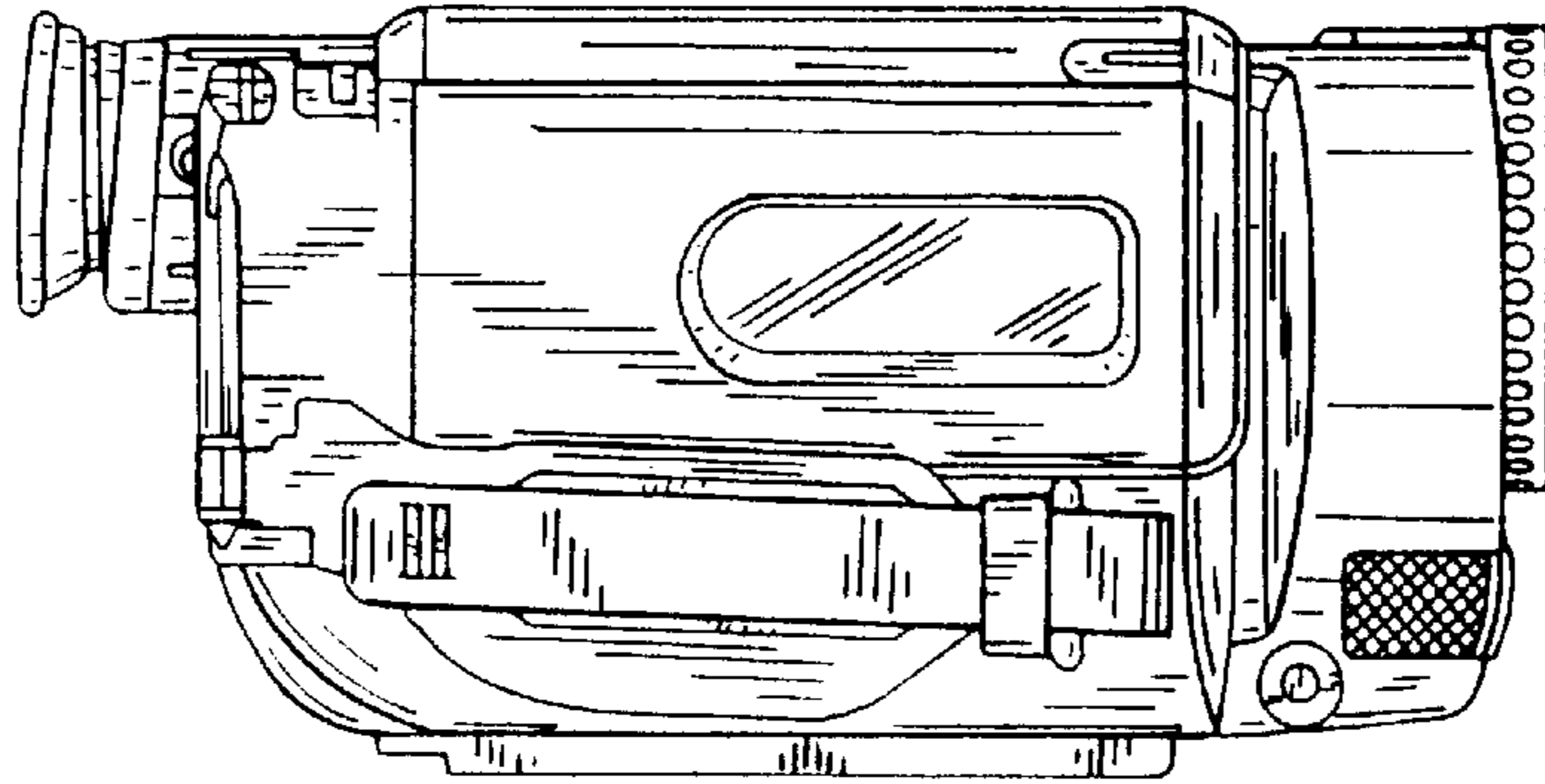


FIG. 3

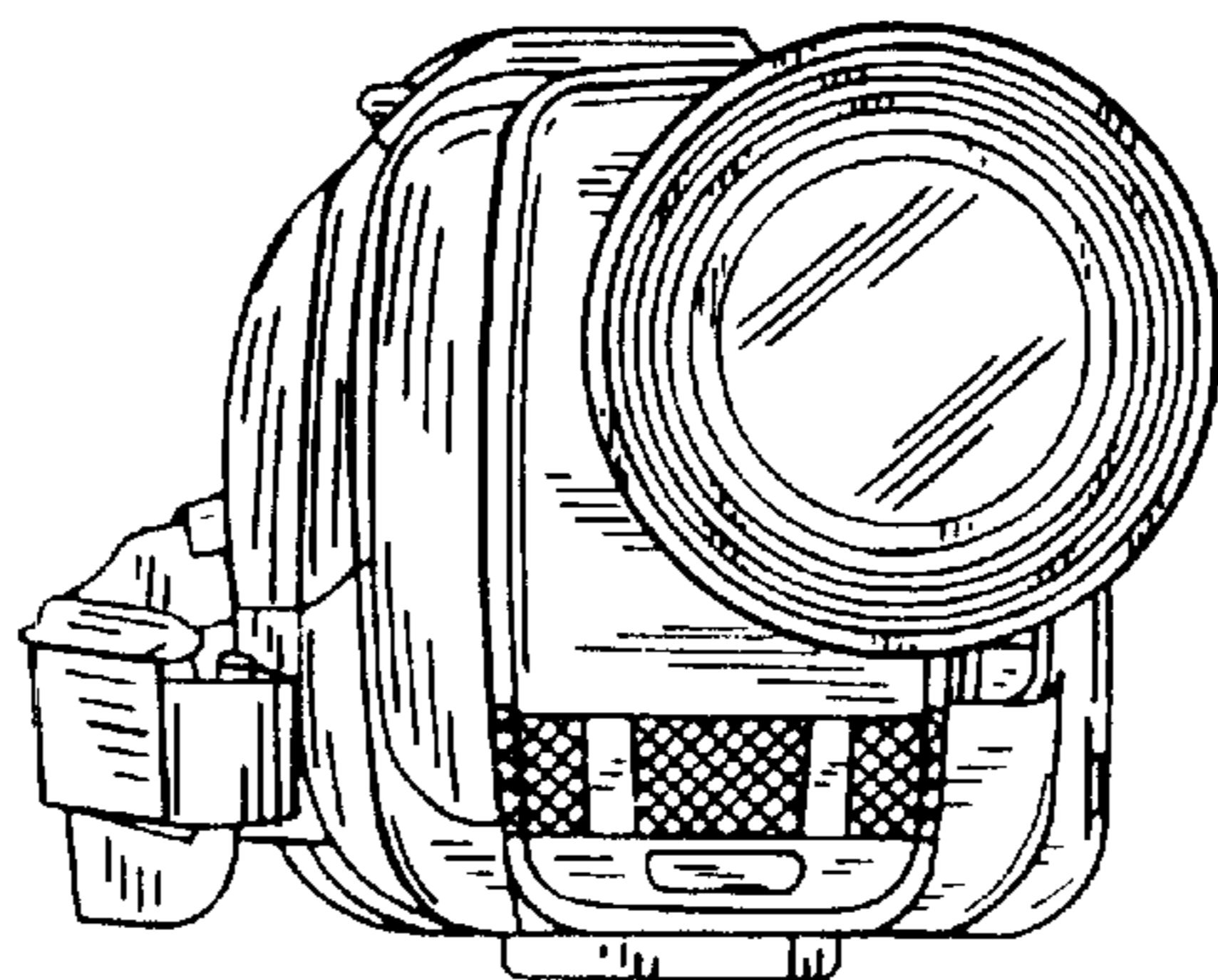




FIG. 4

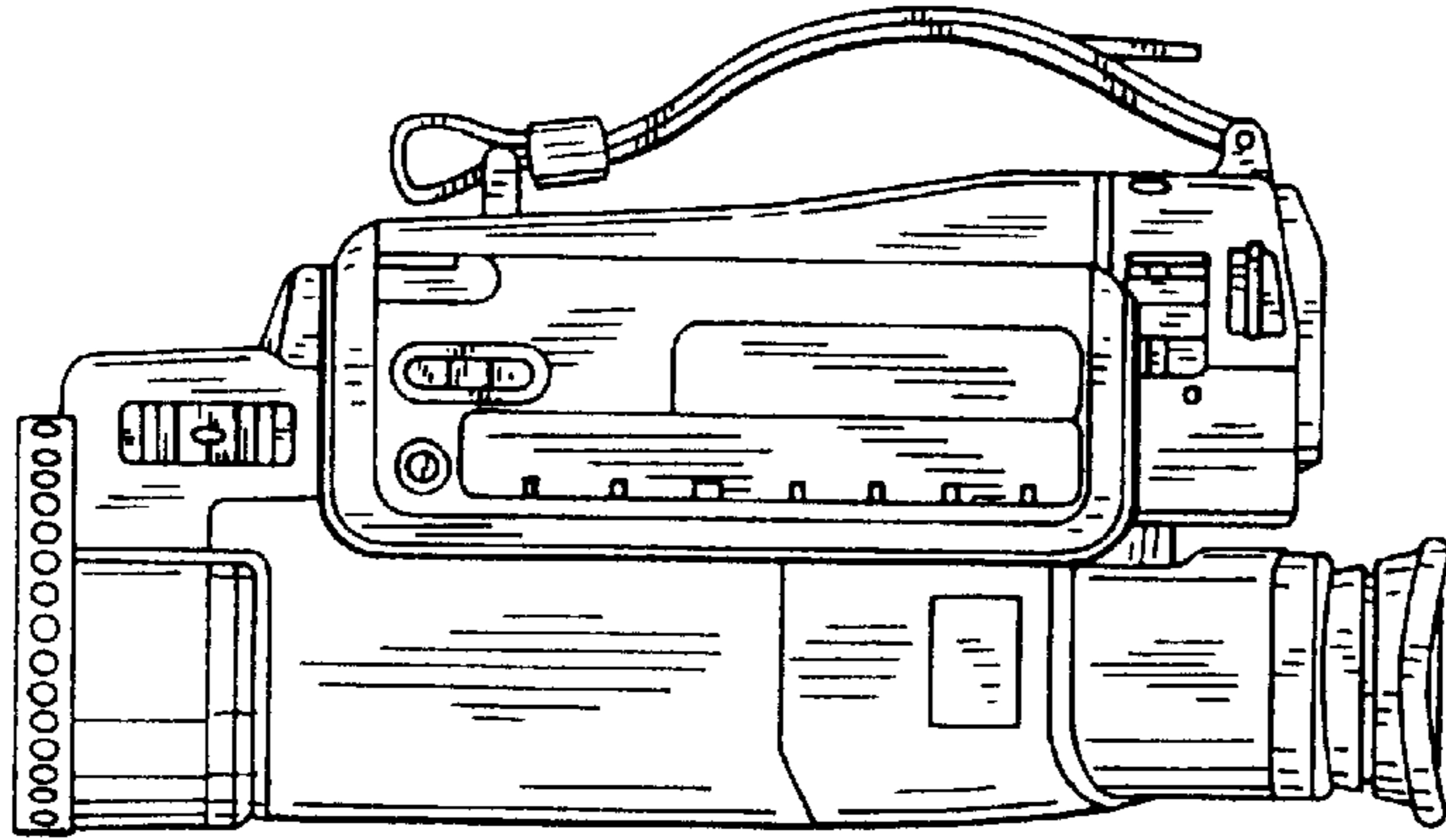


FIG. 5

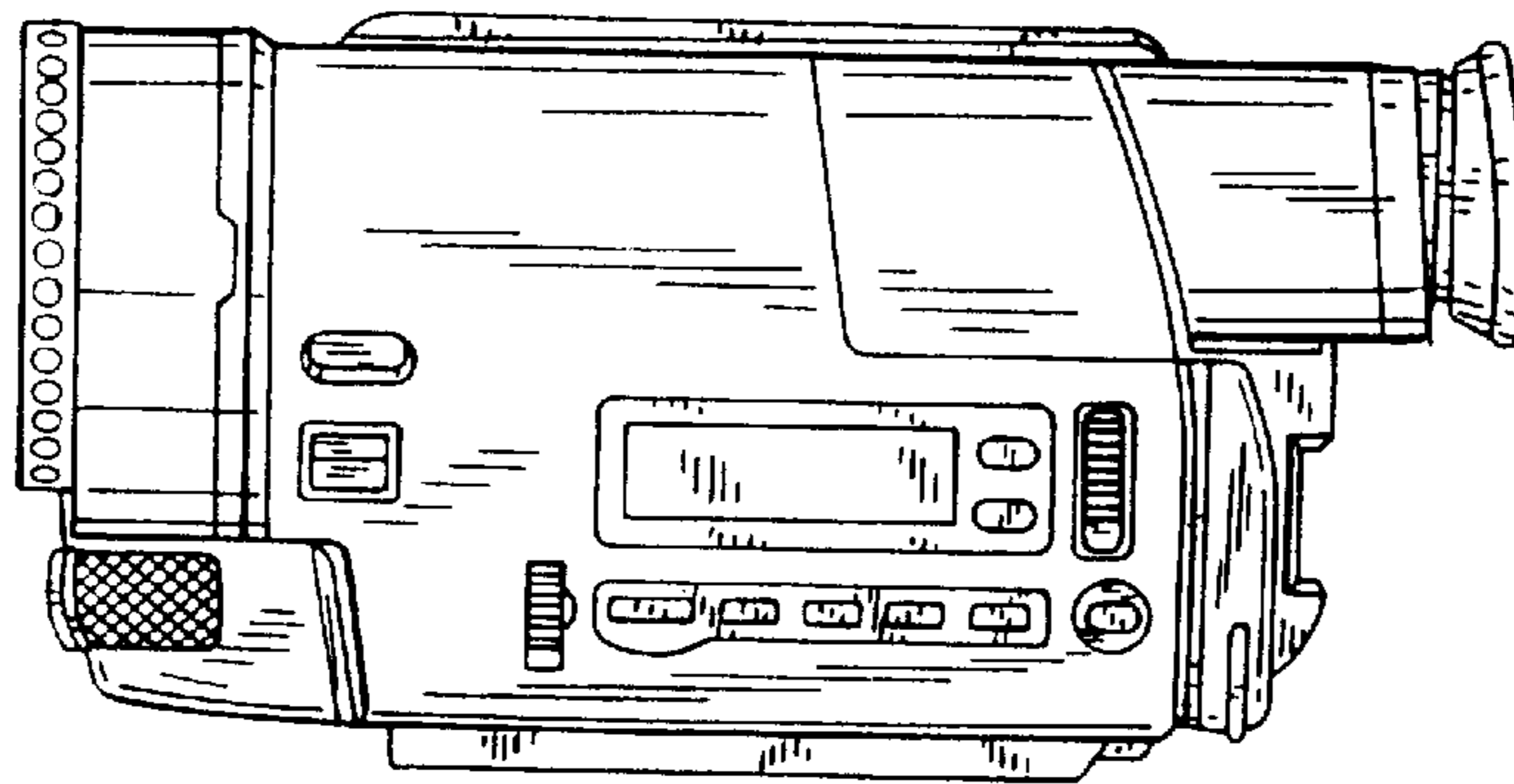


FIG. 6

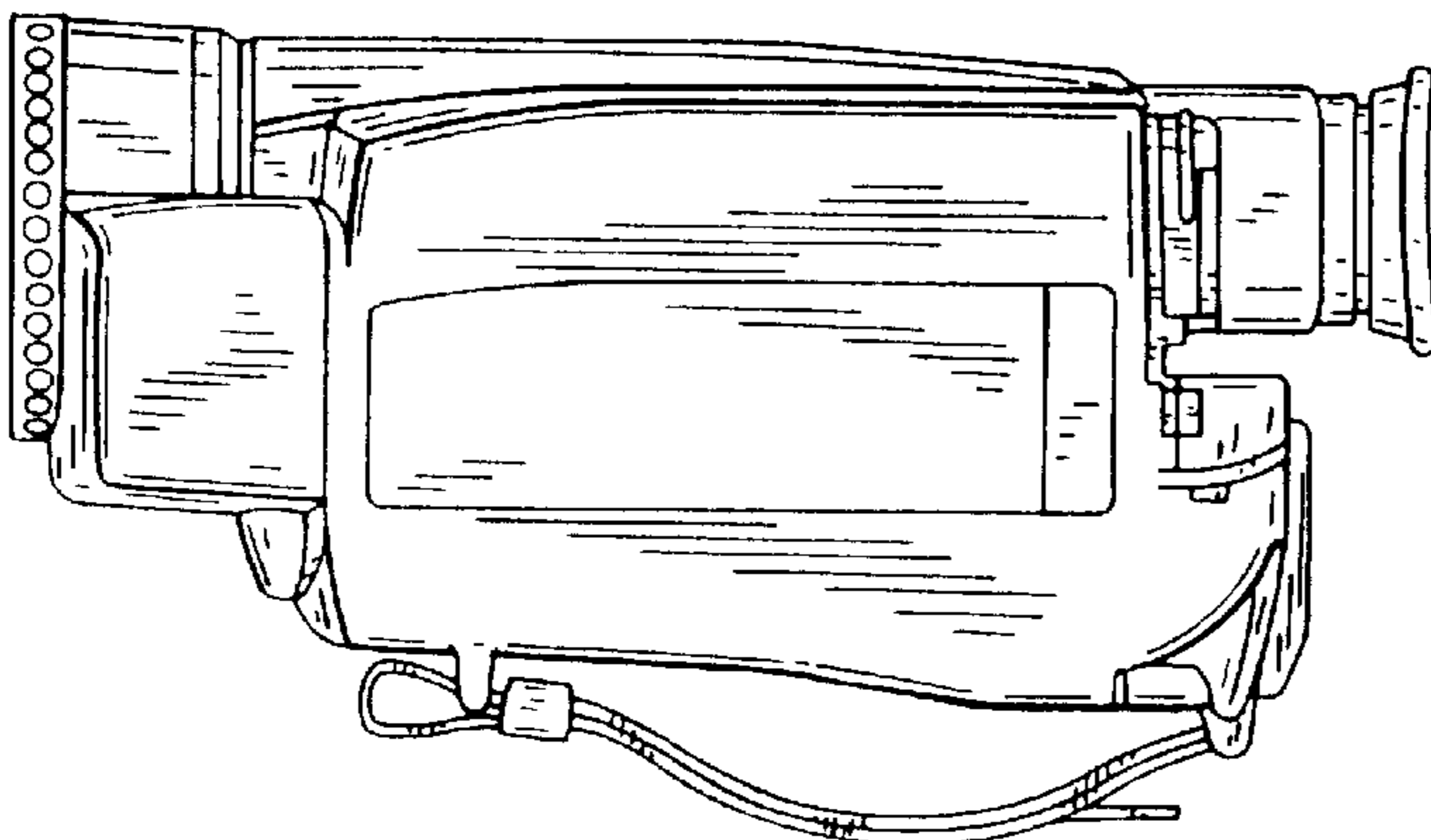


FIG. 7

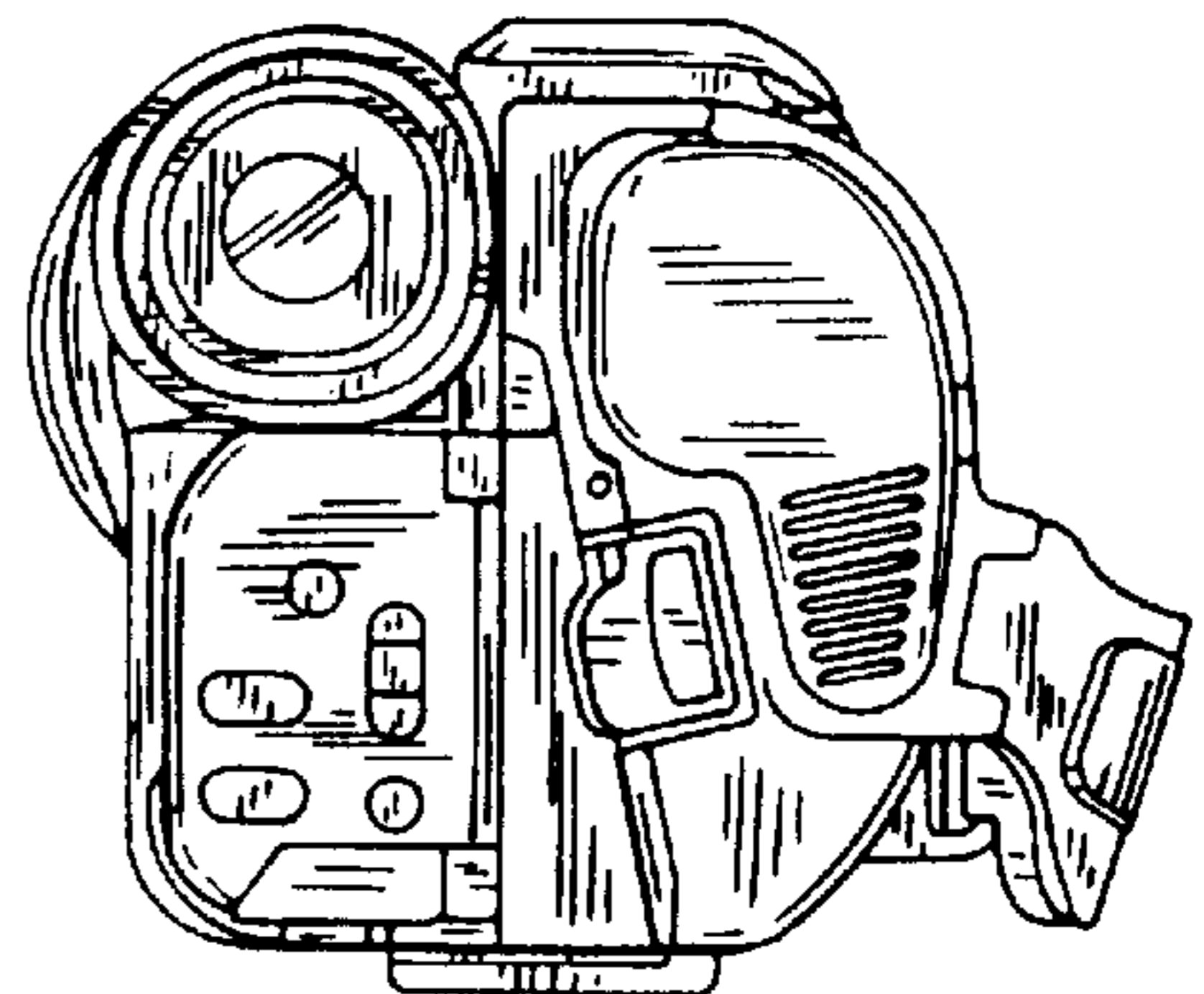


FIG. 9

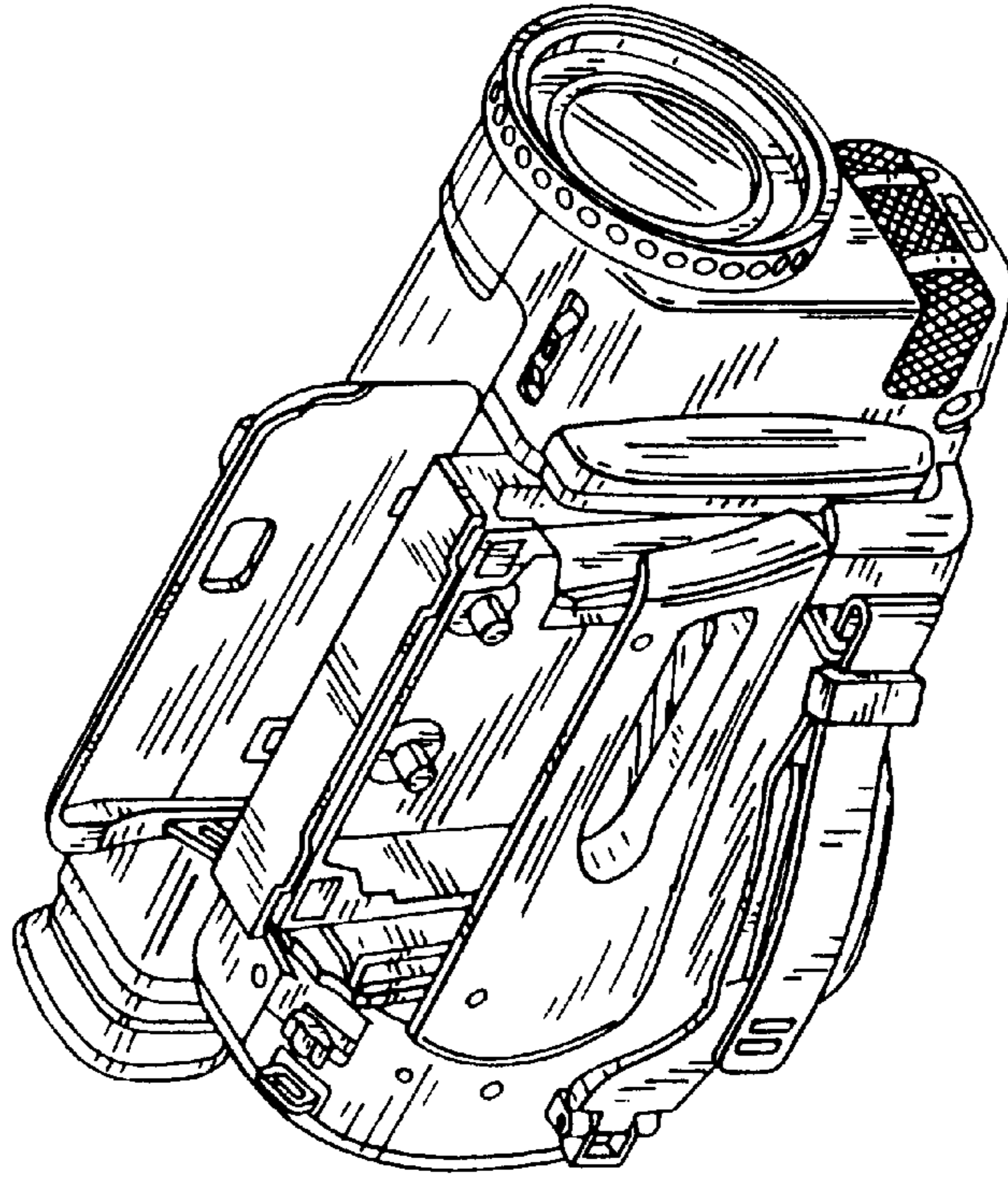


FIG. 8

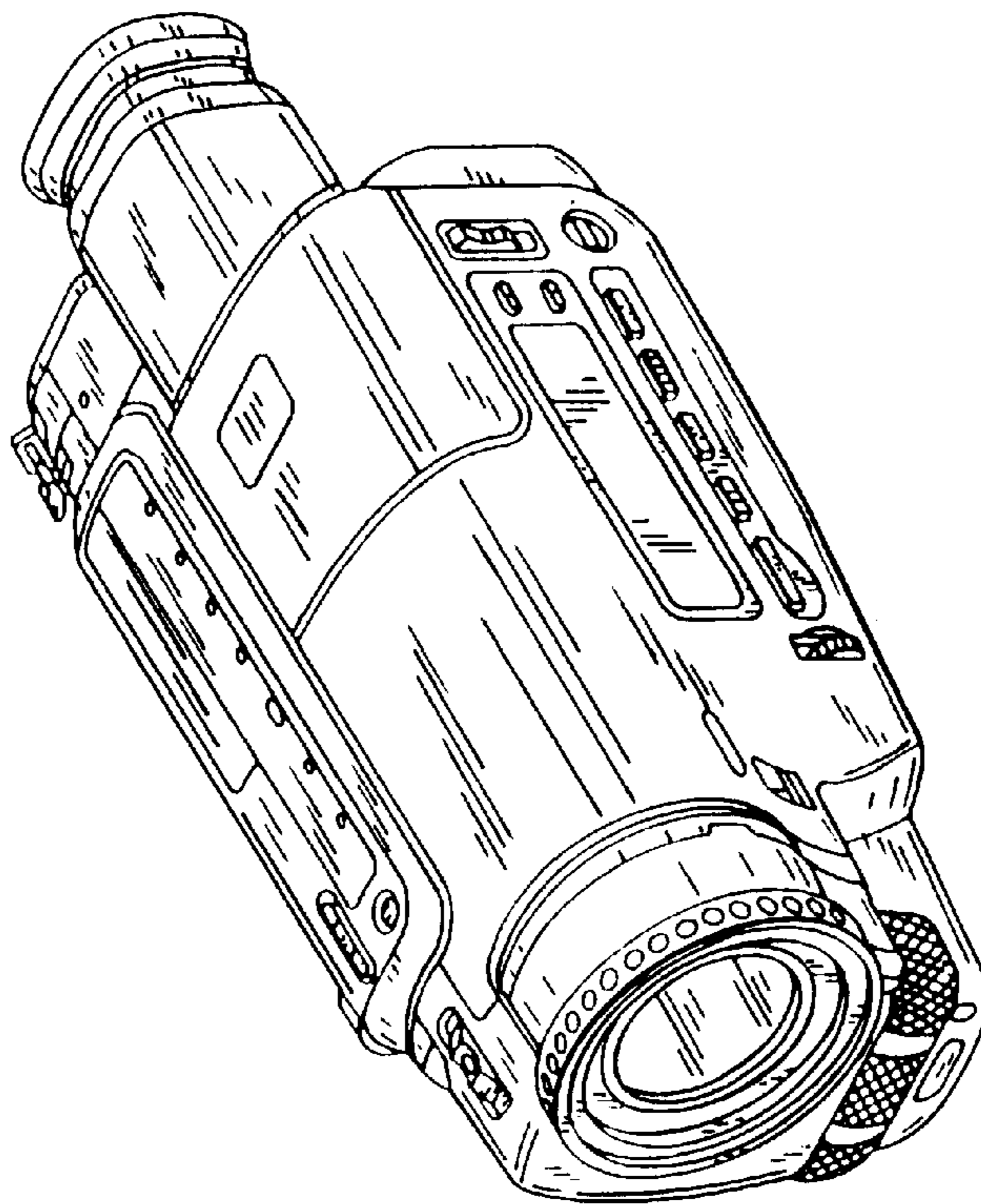


FIG. 10

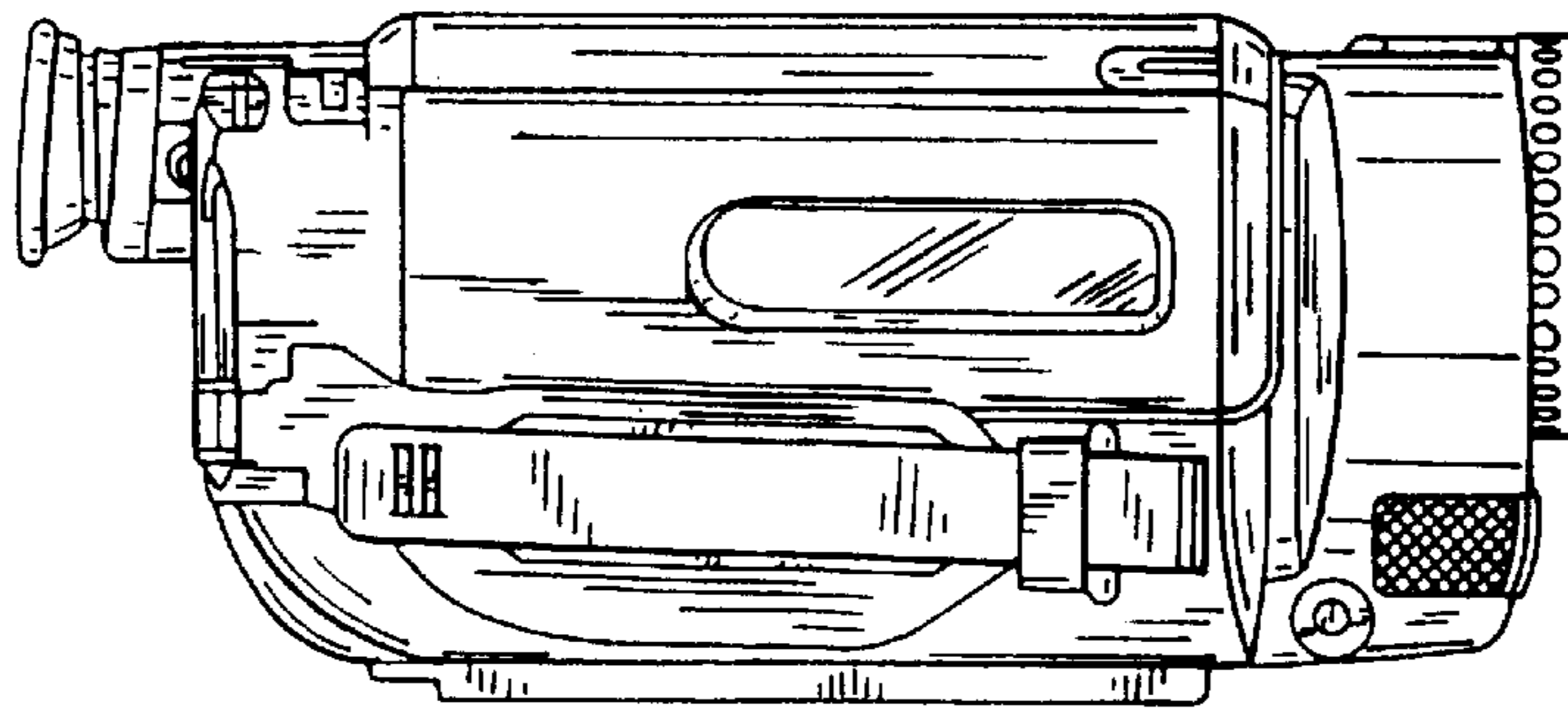


FIG. 11

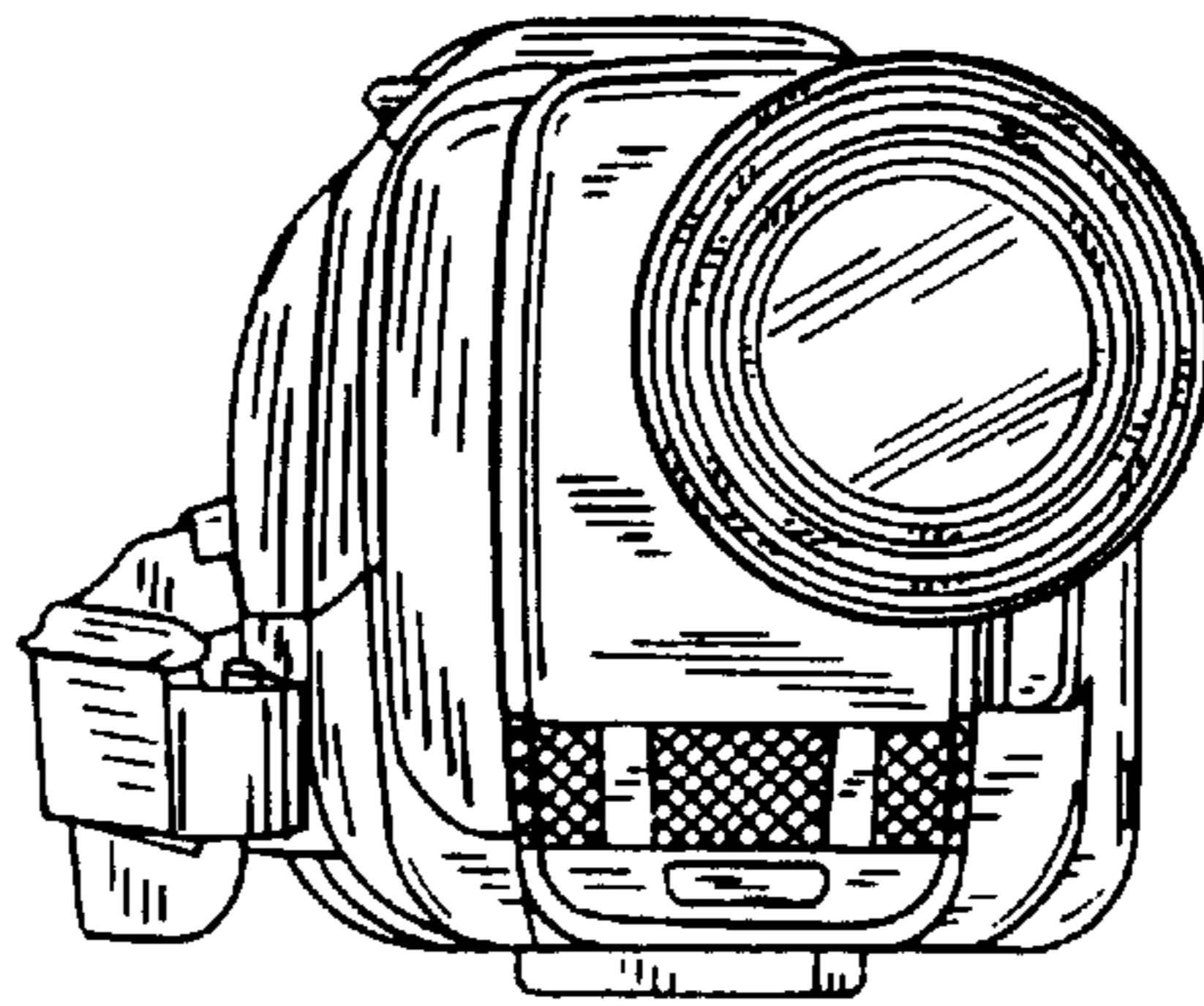


FIG. 12

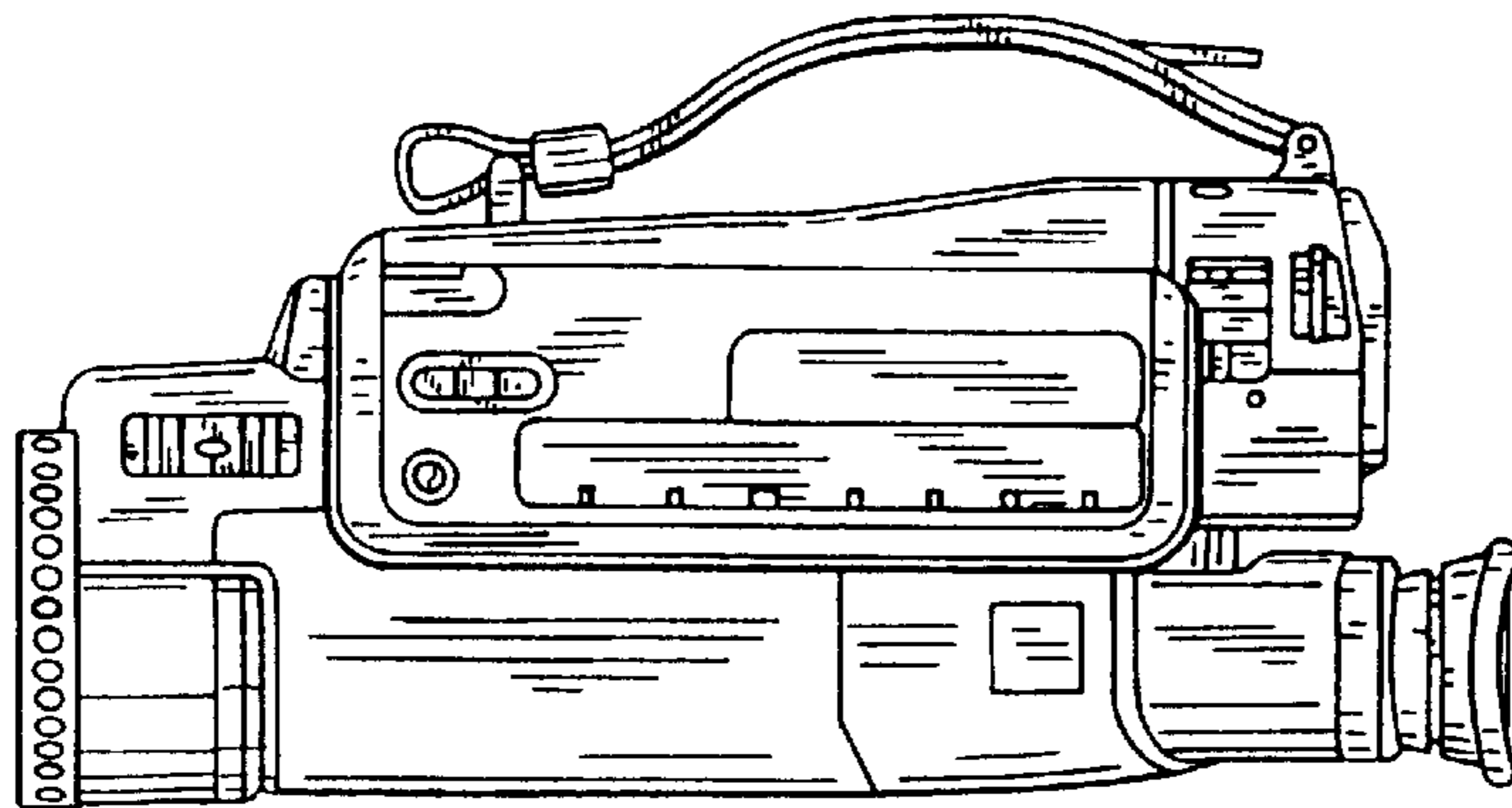


FIG. 13

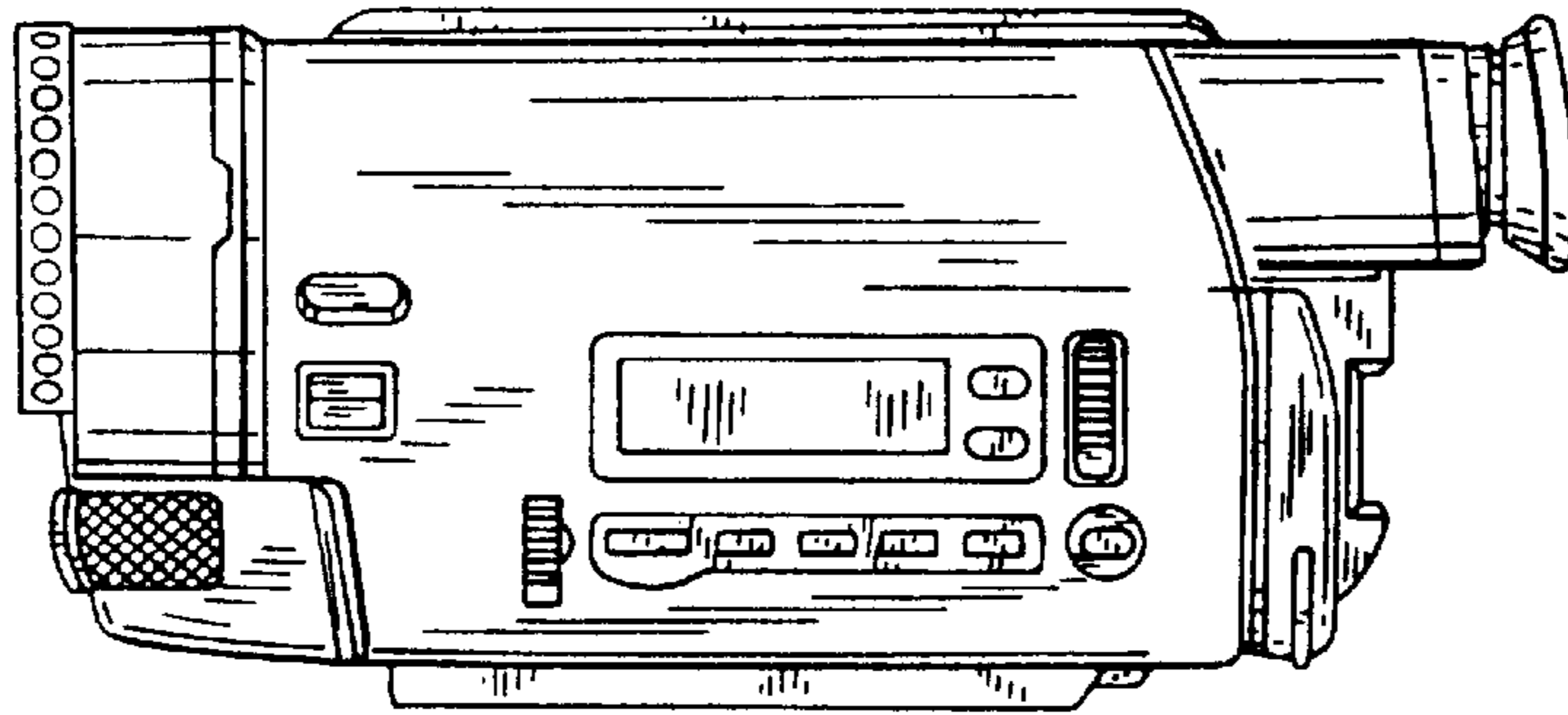


FIG. 14

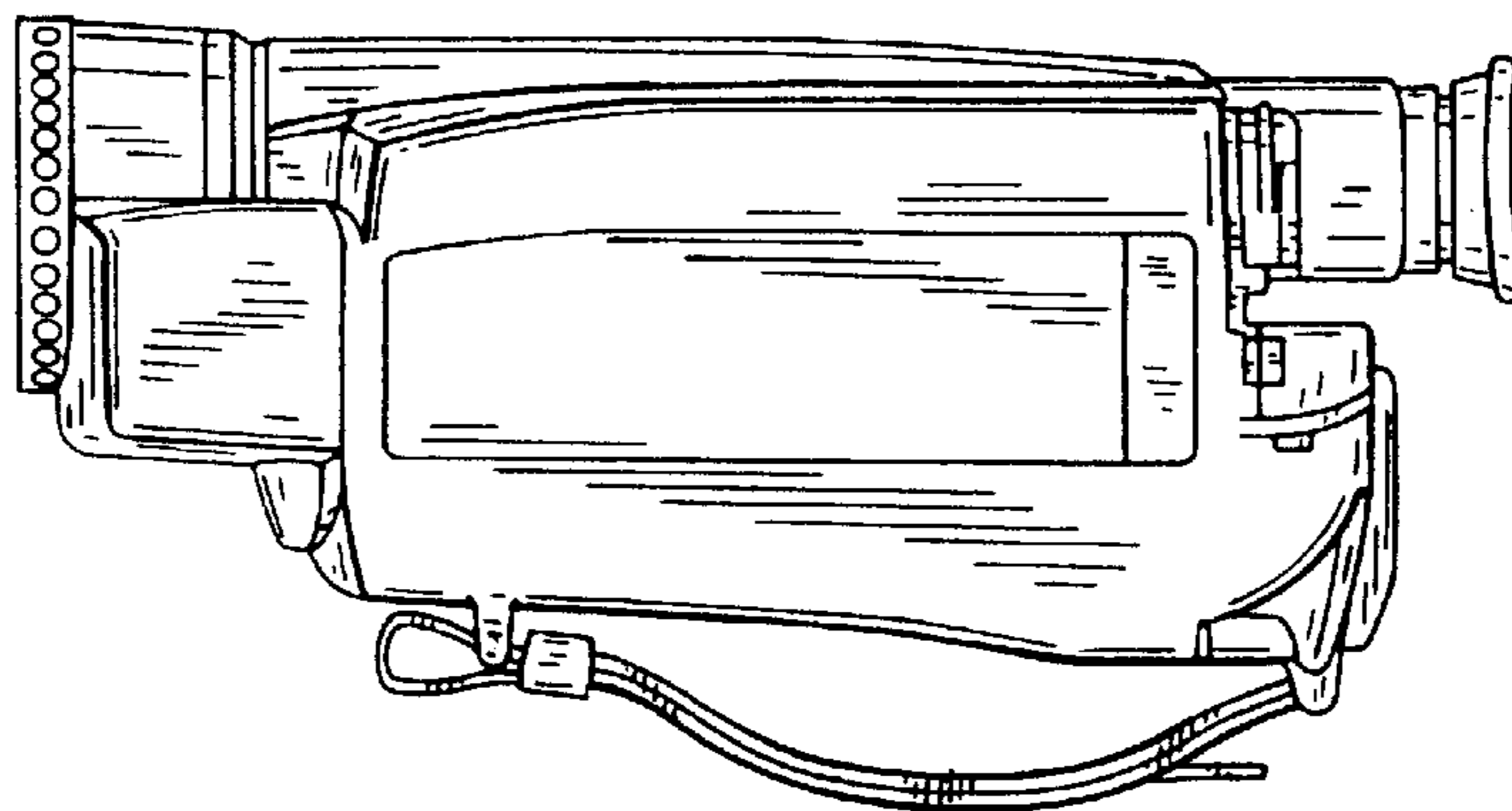


FIG. 15

