



US00D417229S

United States Patent [19] Lannoch

[11] **Patent Number: Des. 417,229**

[45] **Date of Patent: ** Nov. 30, 1999**

[54] **GEAR**

[76] Inventor: **Hans-Jürgen Lannoch**, Hauptstr. 57,
D-76351 Linkenheim-Hochstetten,
Germany

[**] Term: **14 Years**

[21] Appl. No.: **29/100,762**

[22] Filed: **Feb. 17, 1999**

D. 324,866 3/1992 Pleet et al. D15/5
D. 356,094 3/1995 Cortis D15/148
D. 406,596 3/1999 Ziegler D15/148

Primary Examiner—Ralf Seifert
Attorney, Agent, or Firm—Antonelli, Terry, Stout & Kraus,
LLP

Related U.S. Application Data

[62] Division of application No. 29/074,989, Aug. 18, 1997.

[30] Foreign Application Priority Data

Feb. 21, 1997 [DE] Germany DM/039261

[51] **LOC (6) Cl.** **15-01**

[52] **U.S. Cl.** **D15/148; D15/5**

[58] **Field of Search** D15/5, 148, 149,
D15/194; 74/484, 606 R, 606 A, 607; 474/82,
144, 146; 476/42

[56] References Cited

U.S. PATENT DOCUMENTS

D. 278,824 5/1985 Votaw D15/149

[57] CLAIM

The ornamental design for a gear, as shown and described.

DESCRIPTION

FIG. 1 is a front perspective view of a gear showing my new design;

FIG. 2 is a front elevational view;

FIG. 3 is a rear elevational view;

FIG. 4 is a right side elevational view;

FIG. 5 is a left side elevational view.

FIG. 6 is a top plan view; and,

FIG. 7 is a bottom plan view.

1 Claim, 4 Drawing Sheets

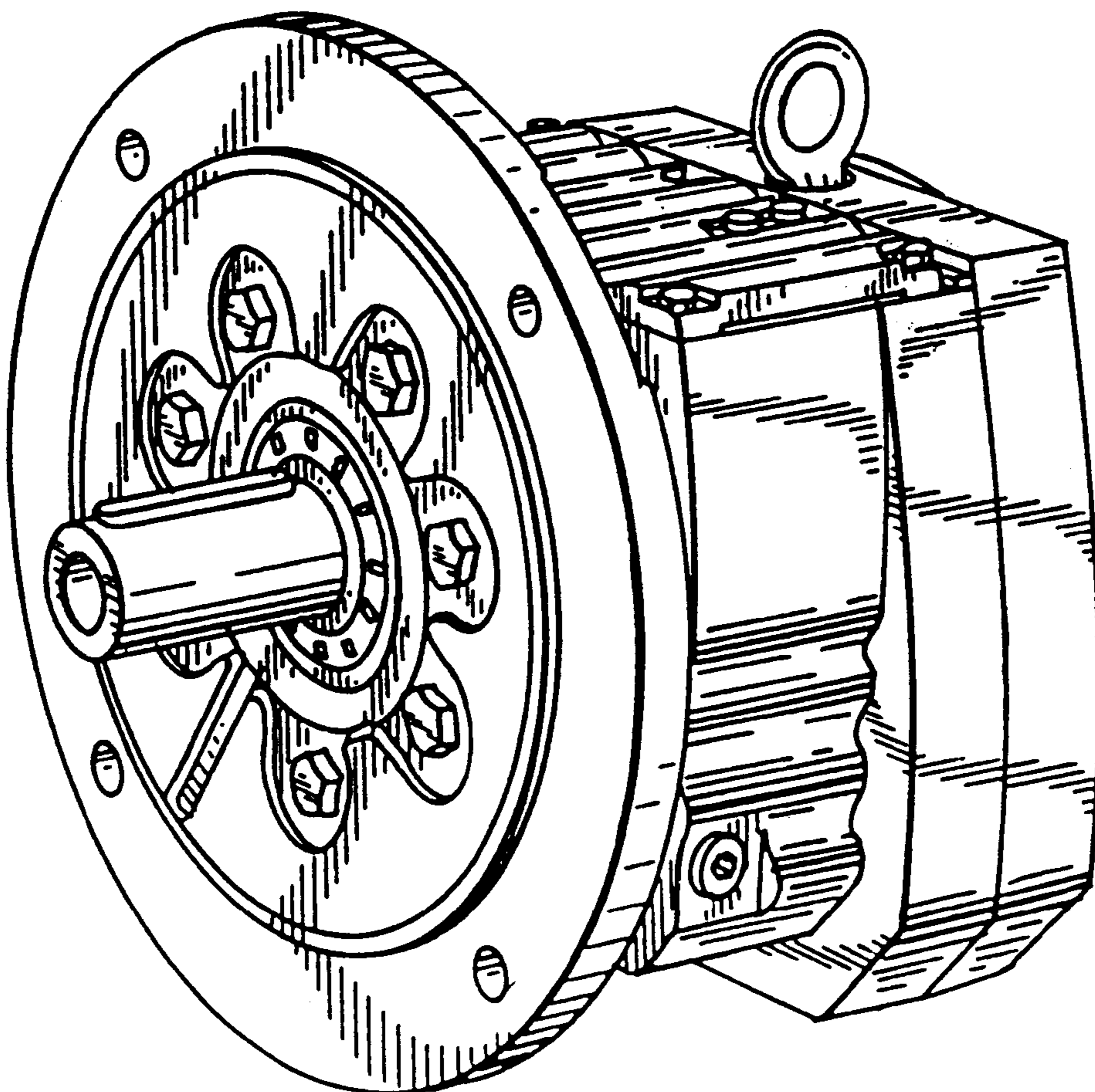


FIG. 1

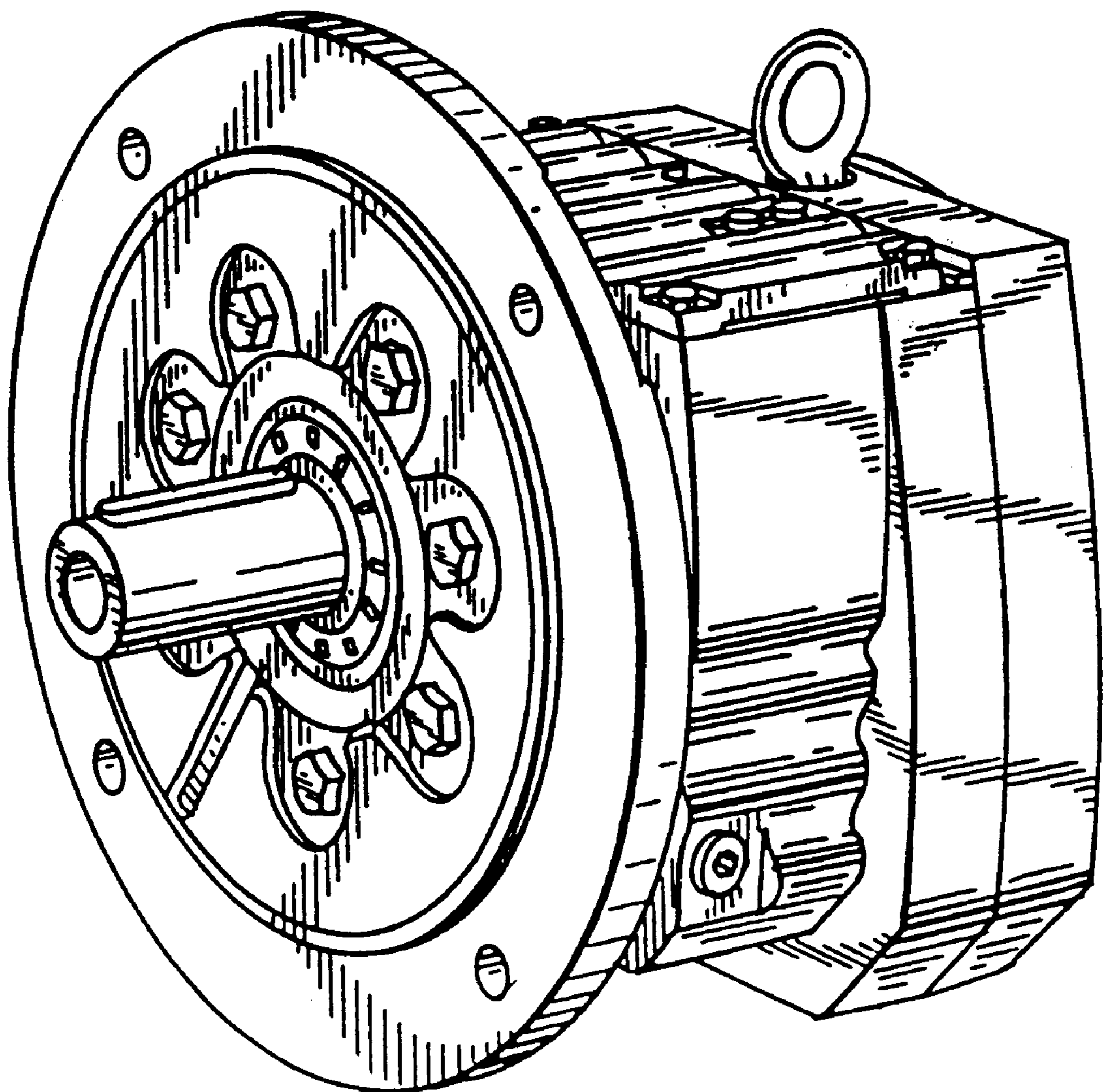


FIG. 2

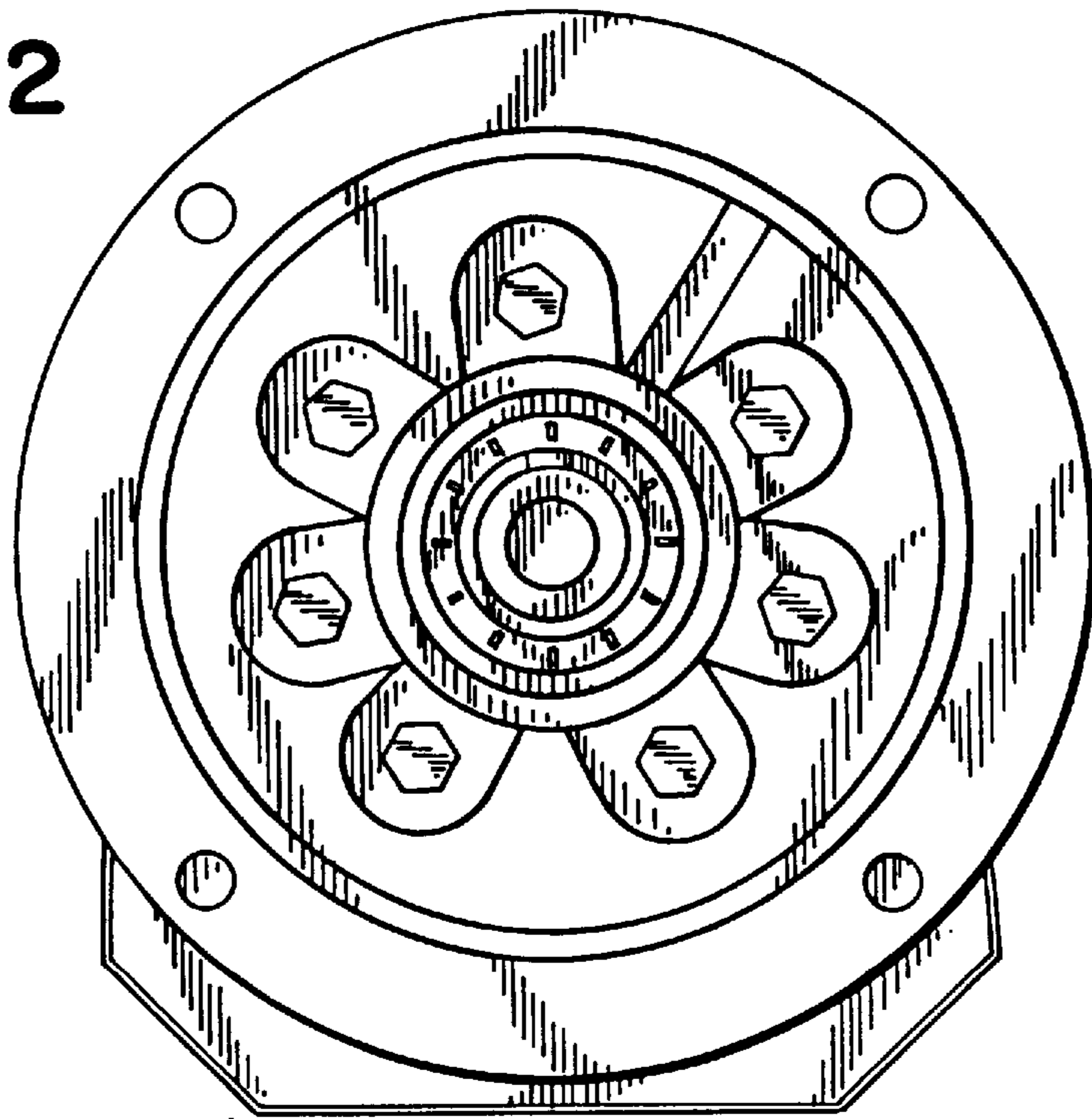


FIG. 3

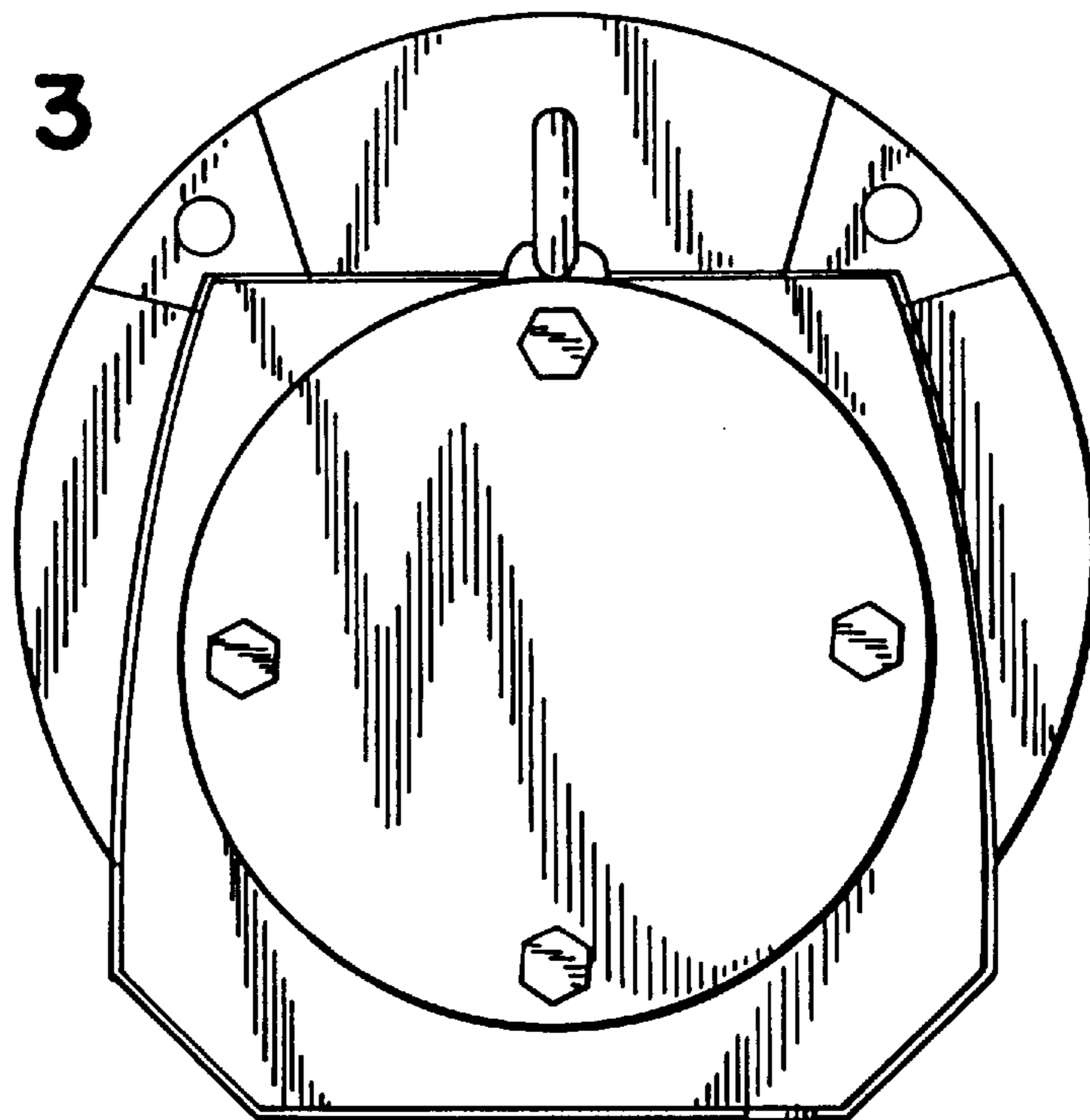


FIG. 4

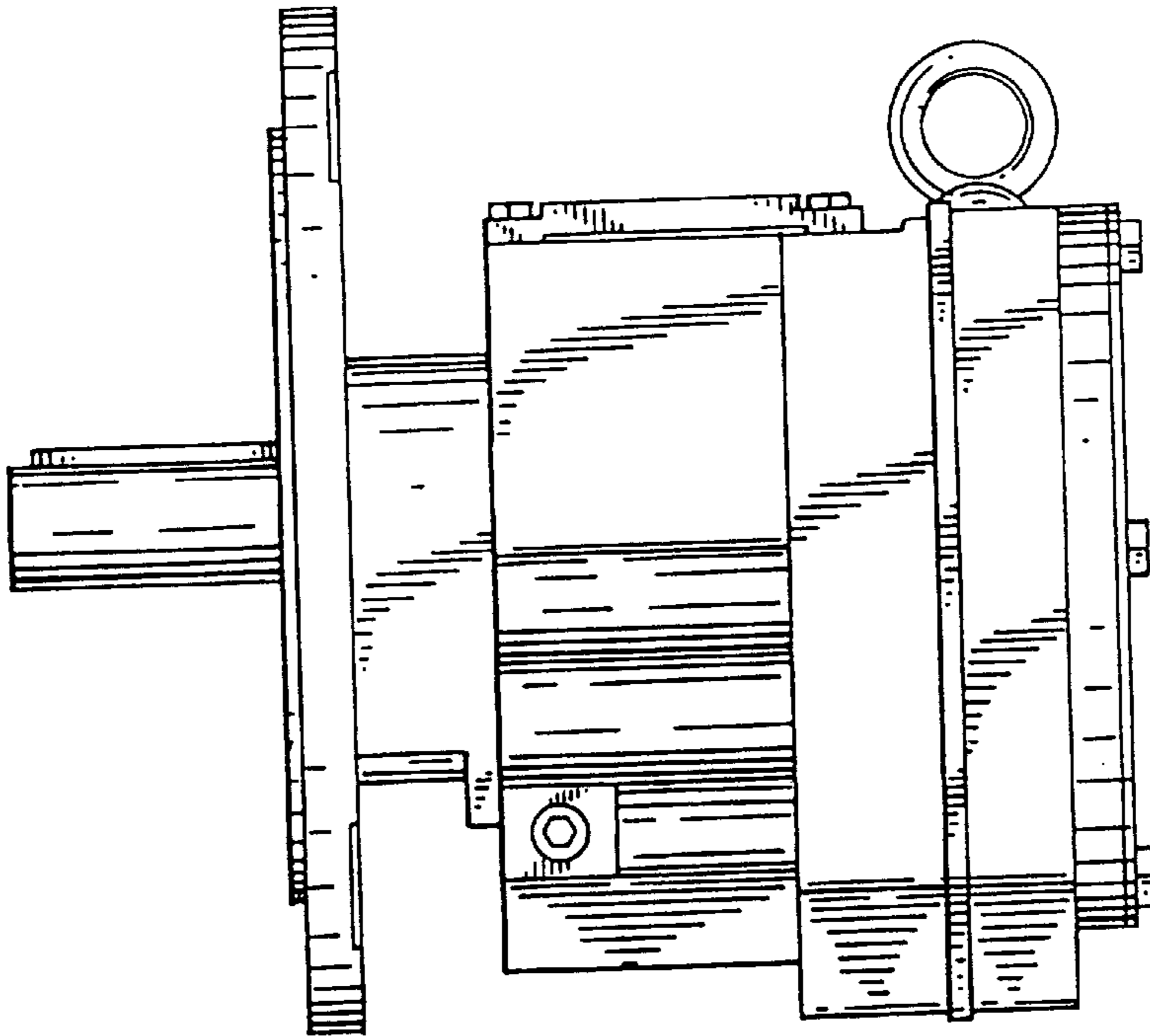


FIG. 5

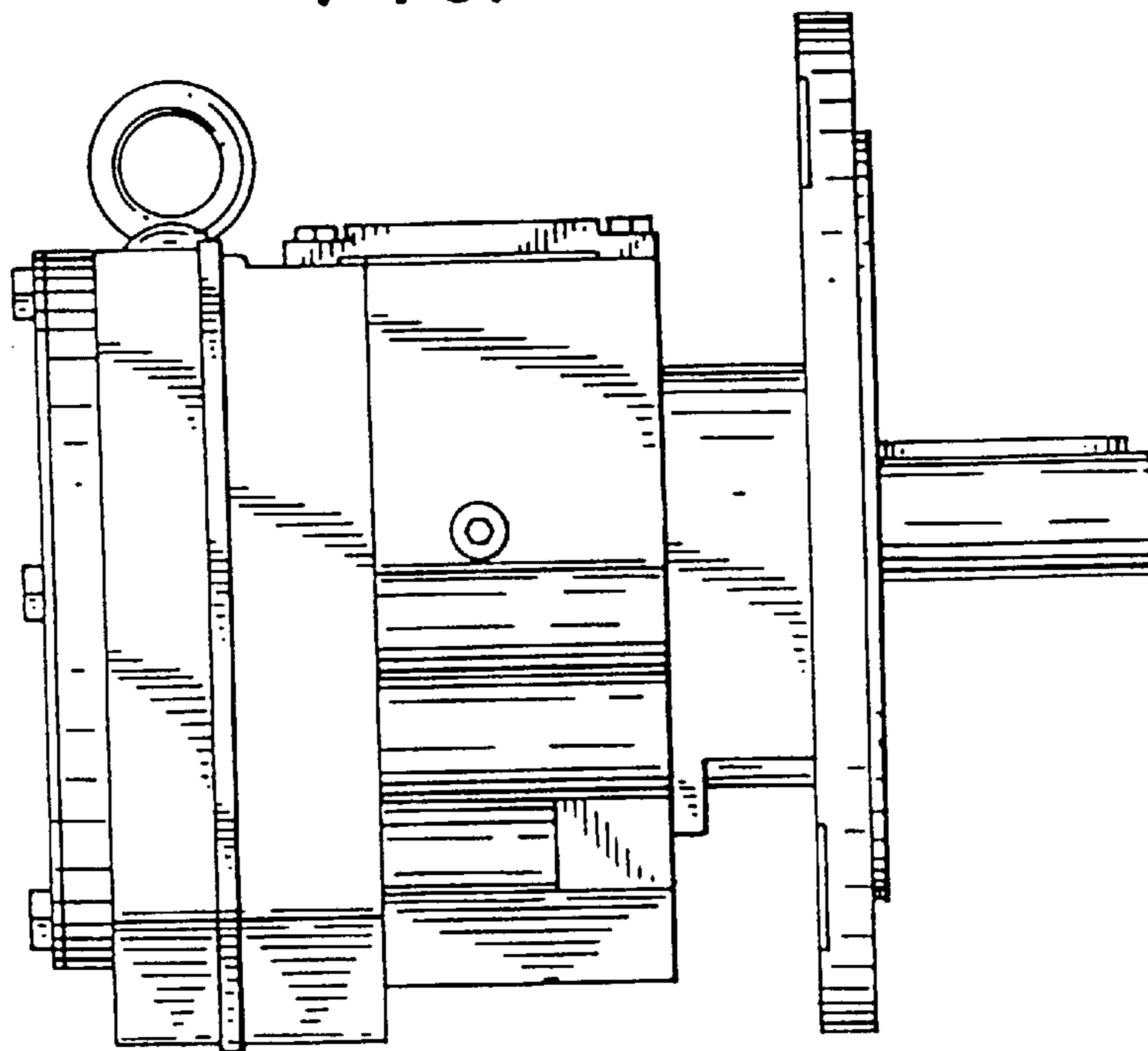


FIG. 6

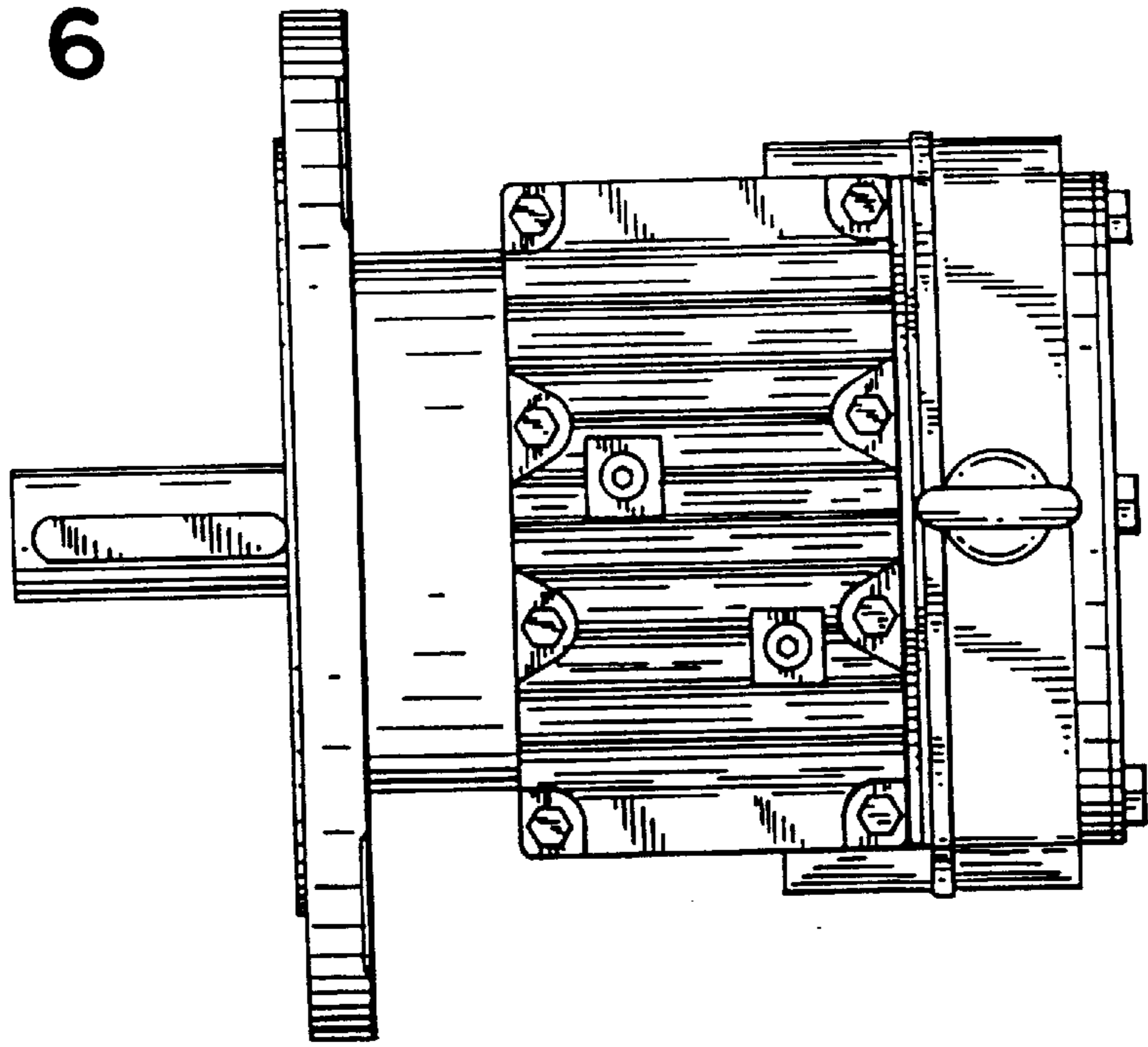


FIG. 7

