



US00D417227S

United States Patent [19] Lei

[11] Patent Number: **Des. 417,227**

[45] Date of Patent: **** Nov. 30, 1999**

[54] **SCROLL SAW**

[75] Inventor: **Xun Lei**, Cheswick, Pa.

[73] Assignee: **Delta International Machinery Corp.**,
Pittsburgh, Pa.

[**] Term: **14 Years**

[21] Appl. No.: **29/101,993**

[22] Filed: **Mar. 16, 1999**

[51] **LOC (6) Cl.** **15-09**

[52] **U.S. Cl.** **D15/133**

[58] **Field of Search** **D15/133; 83/783-786**

[56] **References Cited**

U.S. PATENT DOCUMENTS

Re. 7,726	6/1877	Plummer .	
D. 85,847	12/1931	Tautz .	
D. 292,713	11/1987	Miller .	
D. 327,279	6/1992	Brickner et al.	D15/133
D. 397,343	8/1998	Chen	D15/133
2,721,587	10/1955	Dremel .	
4,616,541	10/1986	Eccardt et al. .	
4,619,171	10/1986	Miller	83/782
4,681,006	7/1987	Miller .	
4,949,616	8/1990	Chang .	
5,088,369	2/1992	Rice et al. .	
5,235,890	8/1993	Mathre .	
5,363,733	11/1994	Baird et al. .	

OTHER PUBLICATIONS

Delta 1997/98 Building Trades and Home Shop Machinery, pp. 57-61.
Makita 16" Variable Speed Scroll Saw Model SJ401 Instruction Manual, pp. 1-19.

Delta 1997-98 Industrial Machinery Catalog, pp. E-2 and E-3.

Delta 2 Speed 16" Scroll Saw with Quickset Blade Changing Feature (Model 40-560 Type II) Instruction Manual, May 3, 1995, pp. 1-18.

"The New Constant-Tension Scroll Saws, Great in a Tight Spot!", *Wood Magazine*, Dec., 1985, pp. 54-59, 74.

Pittman, "Scroll Saw or Jig Saw", *Woodworkers Buyer's Guide to Power Tools*, 88-90, comparison charts and options, which are not numbered.

Delta 18" Scroll Saw Instruction Manual, Oct. 2, 1989, pp. 1-15.

The Eagle Precision Scroll Saw, from RBI Industries, Inc.

Primary Examiner—Antoine Duval Davis

Attorney, Agent, or Firm—Kirkpatrick & Lockhart LLP

[57] **CLAIM**

The ornamental design for a scroll saw, as shown and described.

DESCRIPTION

FIG. 1 is a front perspective view of a scroll saw showing my new design;

FIG. 2 is a front plan view of the scroll saw;

FIG. 3 is a back plan view of the scroll saw;

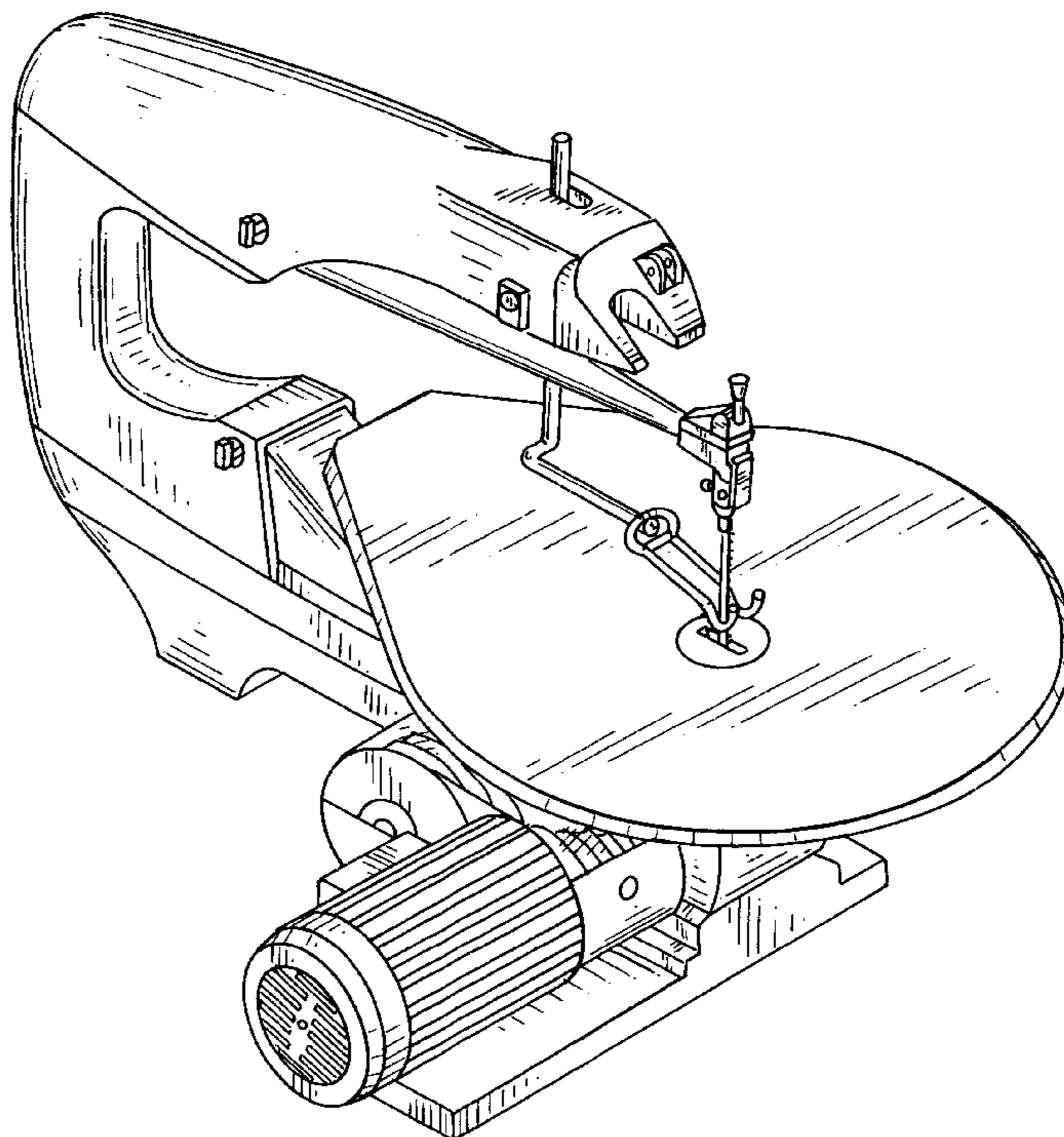
FIG. 4 is a top plan view of the scroll saw;

FIG. 5 is a bottom plan view of the scroll saw;

FIG. 6 is a left side plan view of the scroll saw; and,

FIG. 7 is an right side plan view of the scroll saw.

1 Claim, 6 Drawing Sheets



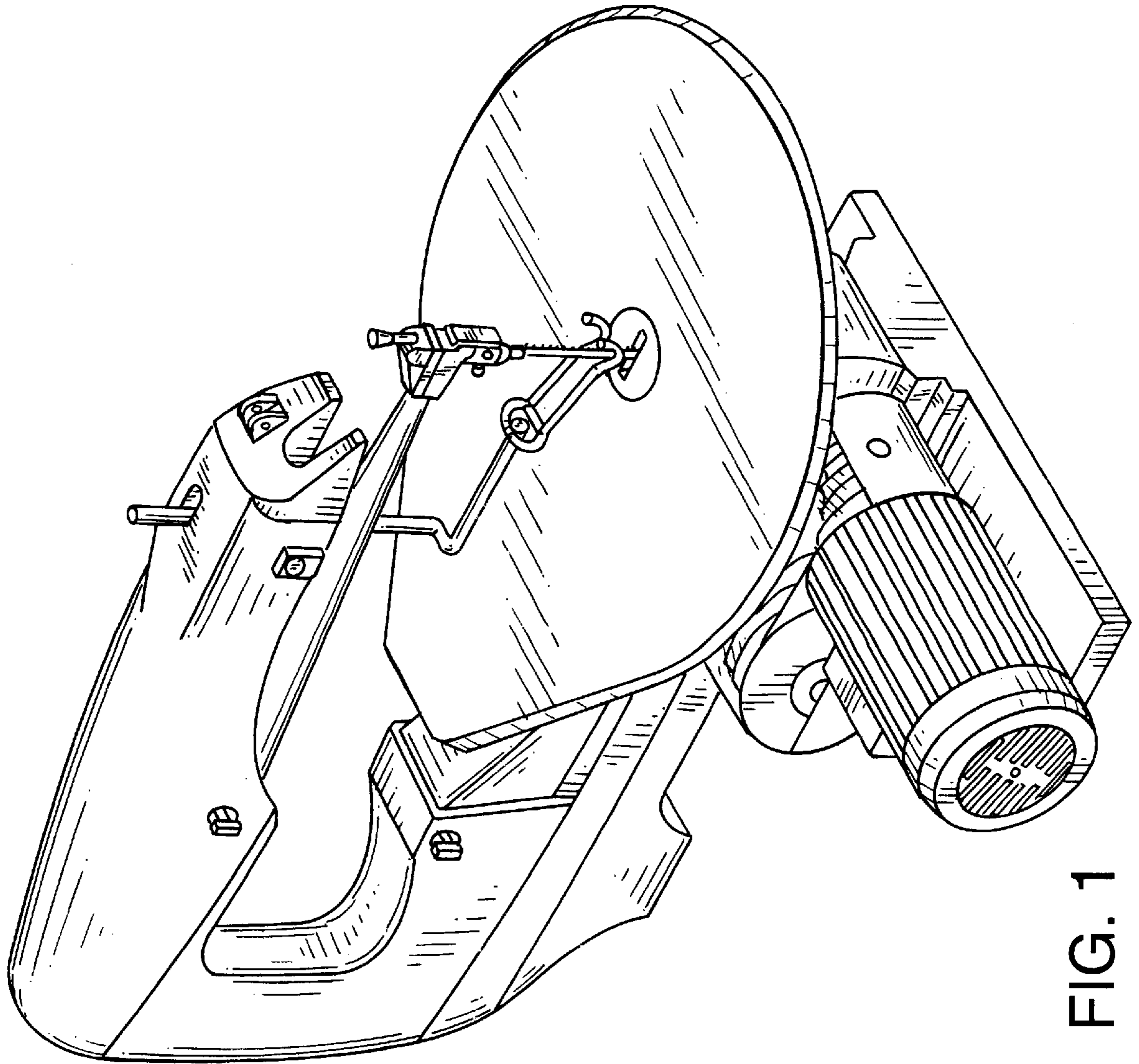


FIG. 1

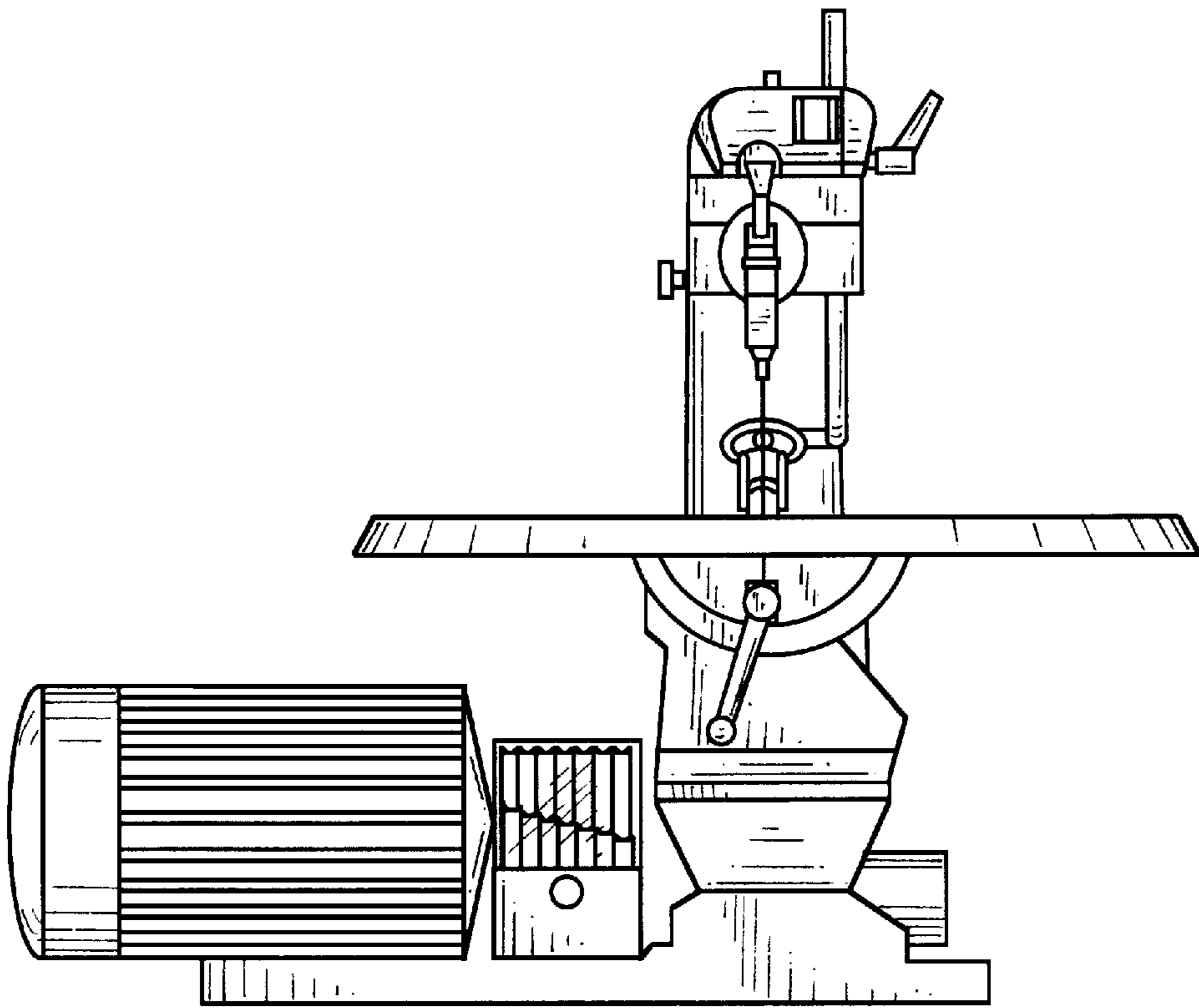


FIG. 2

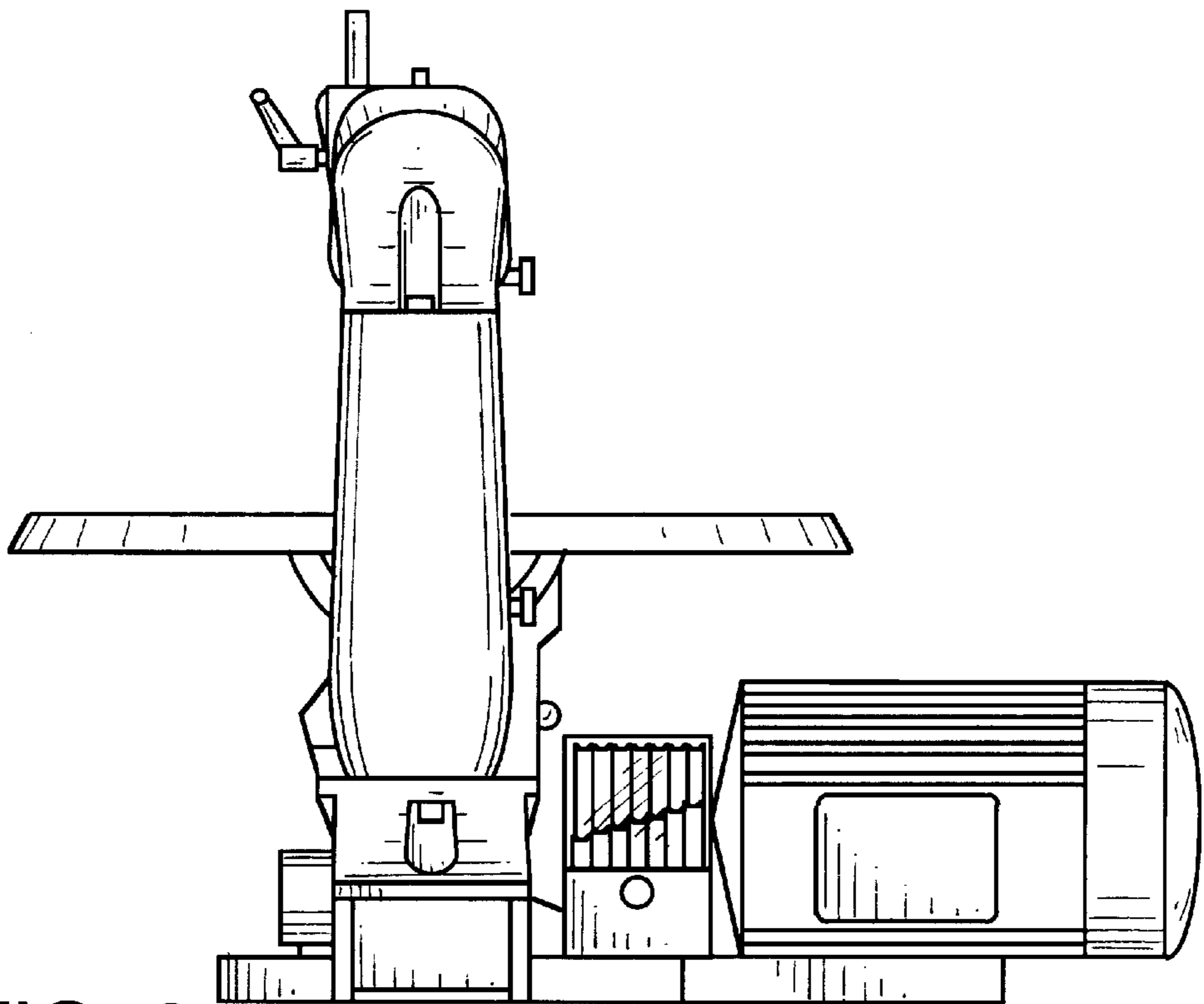


FIG. 3

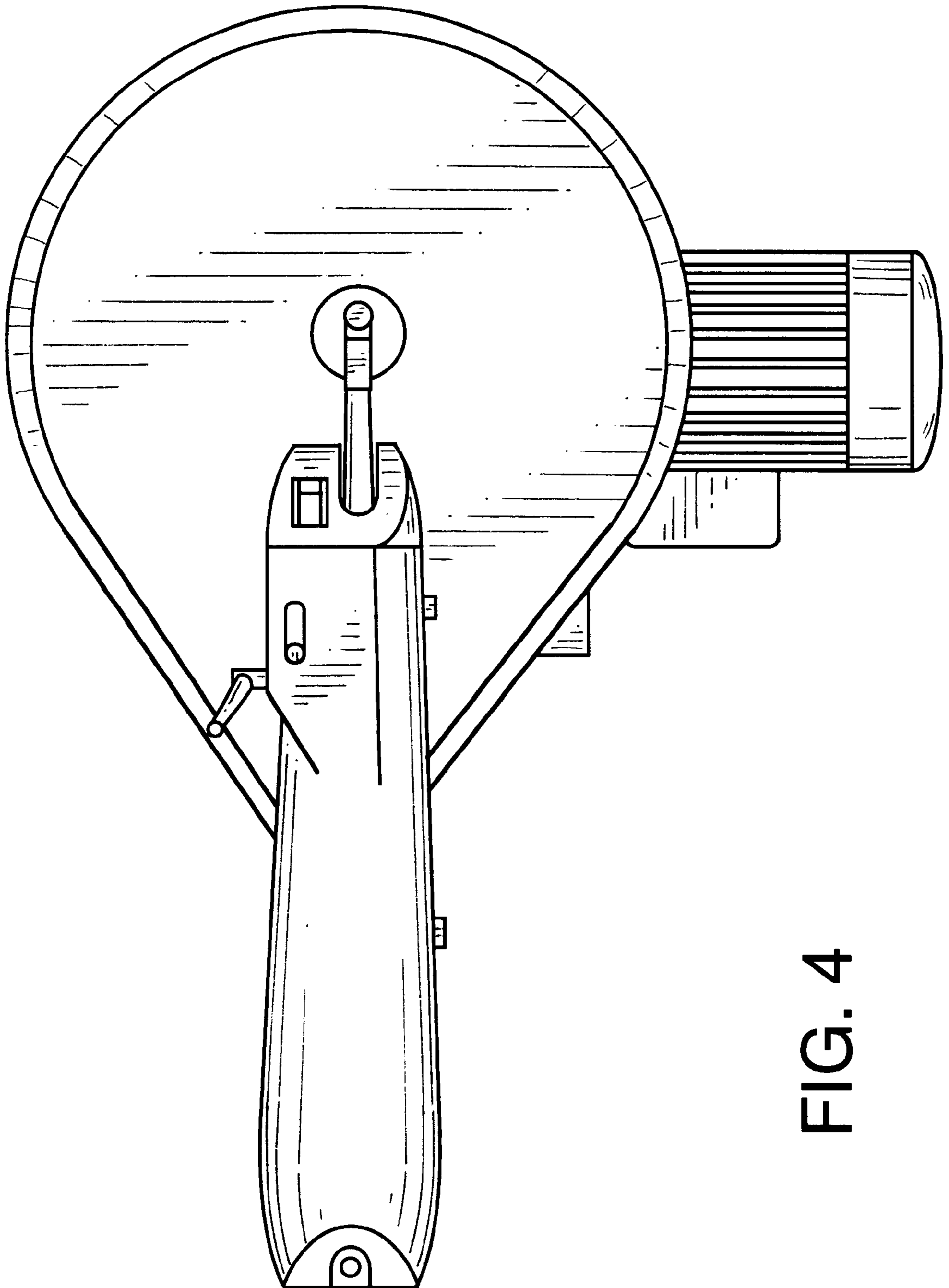


FIG. 4

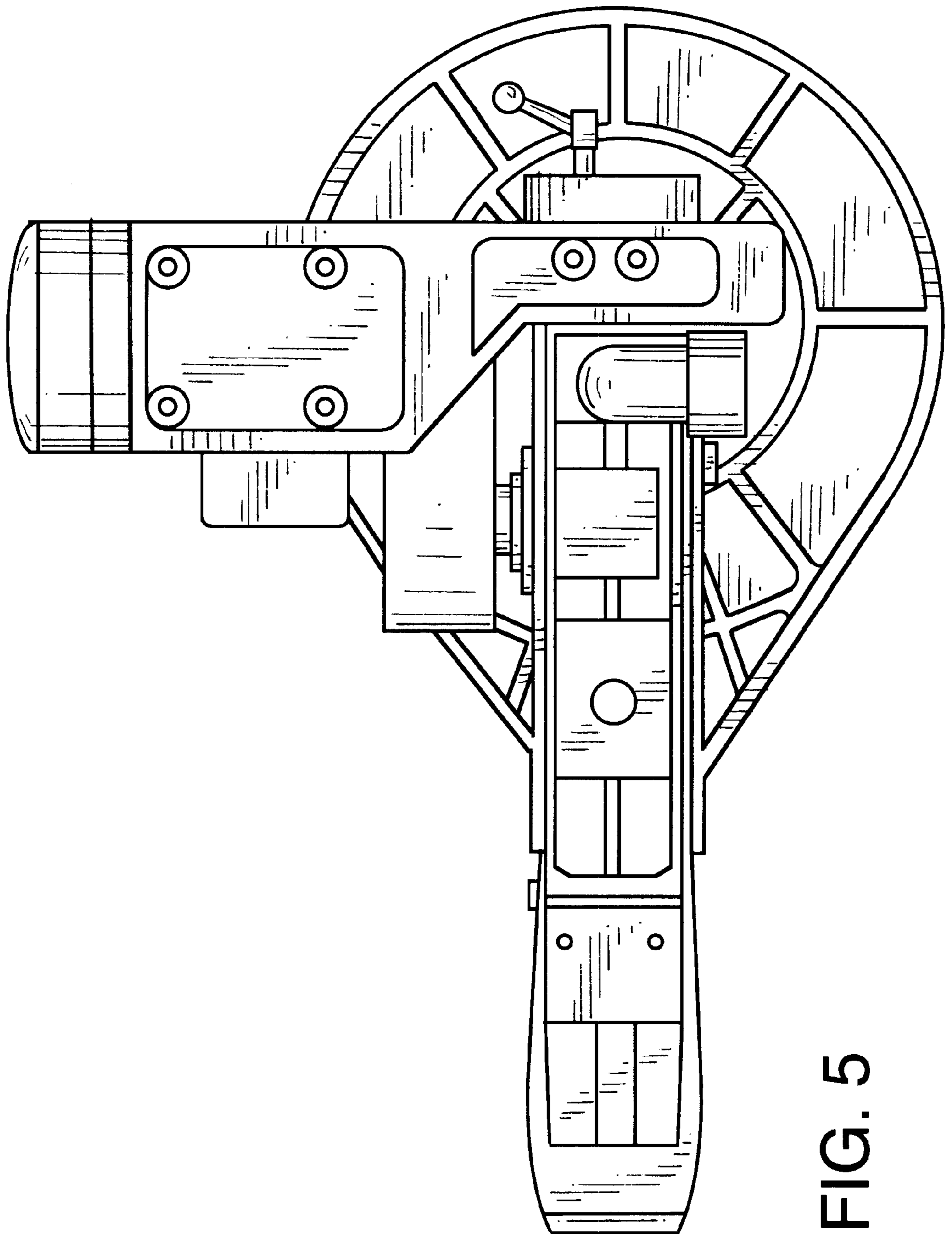


FIG. 5

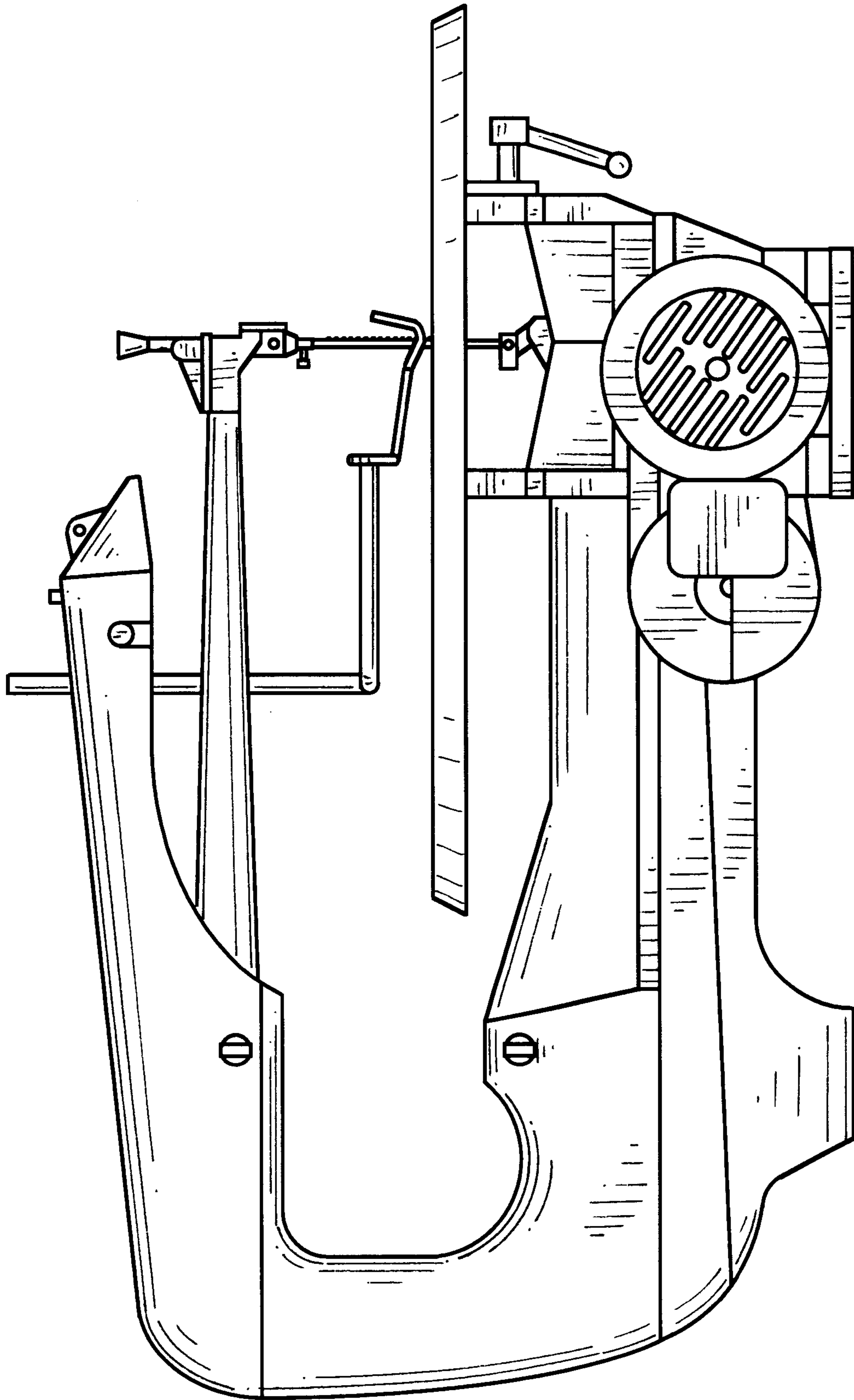


FIG. 6

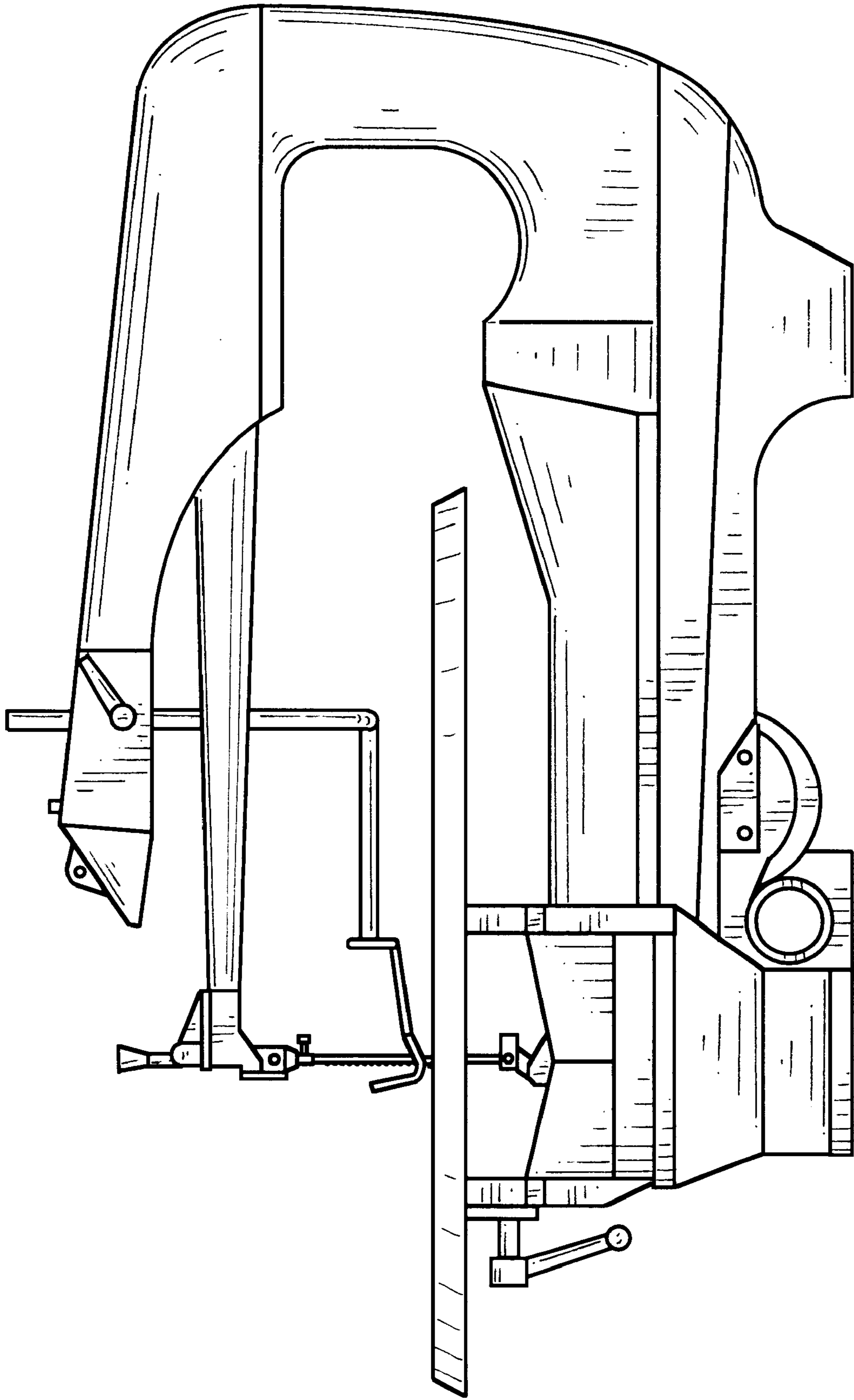


FIG. 7