



US00D417223S

# United States Patent [19]

[11] **Patent Number: Des. 417,223**

**Groves et al.**

[45] **Date of Patent: \*\* Nov. 30, 1999**

[54] **CABLE MODEM HOUSING**

*Attorney, Agent, or Firm—Terri S. Hughes*

[75] Inventors: **William R. Groves**, Naperville;  
**Xiao-Bai Gu**, Schaumburg; **Roger W. Ady**, Chicago, all of Ill.; **David J. Pineau**, Westport, Mass.; **Kenneth Warren Larson**, Elmhurst, Ill.

[57] **CLAIM**

The ornamental design for a cable modem housing, as shown and described.

[73] Assignee: **Motorola, Inc.**, Schaumburg, Ill.

**DESCRIPTION**

[\*\*] Term: **14 Years**

FIG. 1 is a front, top and right perspective view of one embodiment of the cable modem housing;

[21] Appl. No.: **29/101,438**

FIG. 2 is a left side elevational view of the cable modem housing shown in FIG. 1;

[22] Filed: **Mar. 4, 1999**

FIG. 3 is a top plan view of the cable modem housing shown in FIG. 1;

[51] **LOC (6) Cl. .... 14-03**

FIG. 4 is a front elevational view of the cable modem housing shown in FIG. 1;

[52] **U.S. Cl. .... D14/242; D14/107; D14/125**

FIG. 5 is a bottom plan view of the cable modem housing shown in FIG. 1;

[58] **Field of Search .... D14/125, 257, D14/140, 142, 107, 109, 102, 100, 240, 242, 155, 159, 141, 239; 379/419, 420, 428, 440, 406, 93.01, 93.28; 455/550-575, 90; D13/184, 147, 162, 164; 361/600, 622, 724-728; 375/220-225**

FIG. 6 is a right side elevational view of the cable modem housing shown in FIG. 1;

FIG. 7 is a rear elevational view of the cable modem housing shown in FIG. 1;

[56] **References Cited**

FIG. 8 is a front, top and right isometric view of another embodiment of the cable modem housing;

**U.S. PATENT DOCUMENTS**

D. 322,963	1/1992	Kittirutsunetorn	.....	D14/107
D. 339,115	9/1993	Eilersten	.....	D14/107
D. 342,488	12/1993	Kuzumoto et al.	.....	D14/109
D. 346,606	5/1994	Harris et al.	.....	D14/242
D. 375,485	11/1996	Gray	.....	D14/102
D. 383,139	9/1997	Hill et al.	.....	D14/242
D. 384,649	10/1997	Heberling et al.	.....	D14/102
D. 387,742	12/1997	Lain	.....	D14/109
D. 389,088	1/1998	Murphy	.....	D14/109 X
D. 390,201	2/1998	Murphy	.....	D14/100
D. 396,471	7/1998	Kolinen	.....	D14/240
D. 406,849	3/1999	Tanaka	.....	D14/242
D. 408,024	4/1999	Wilson, Sr. et al.	.....	D14/107 X

FIG. 9 is a left side elevational view of the cable modem housing shown in FIG. 8;

FIG. 10 is a top plan view of the cable modem housing shown in FIG. 8;

FIG. 11 is a front elevational view of the cable modem housing shown in FIG. 8;

FIG. 12 is a bottom plan view of the cable modem housing shown in FIG. 8;

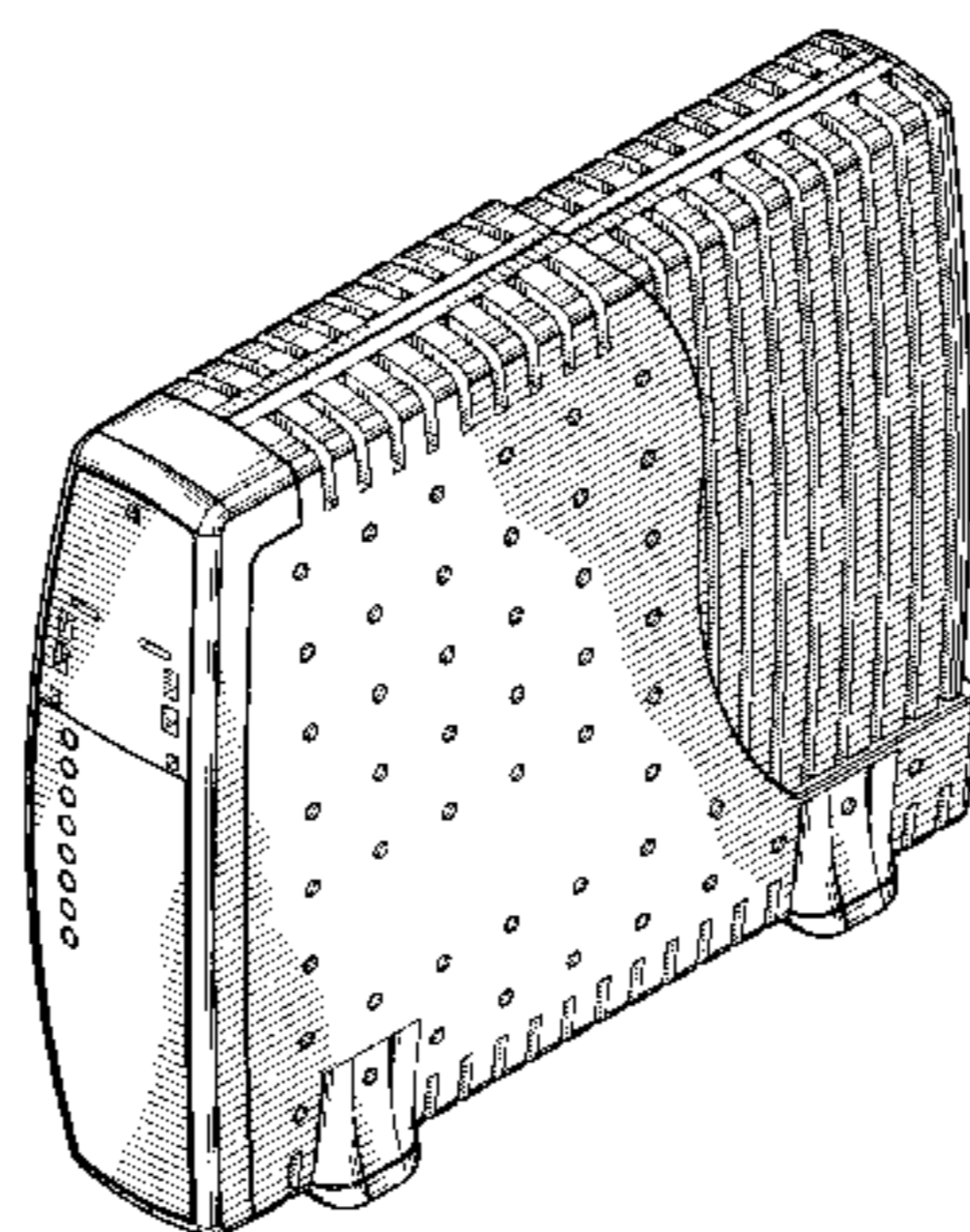
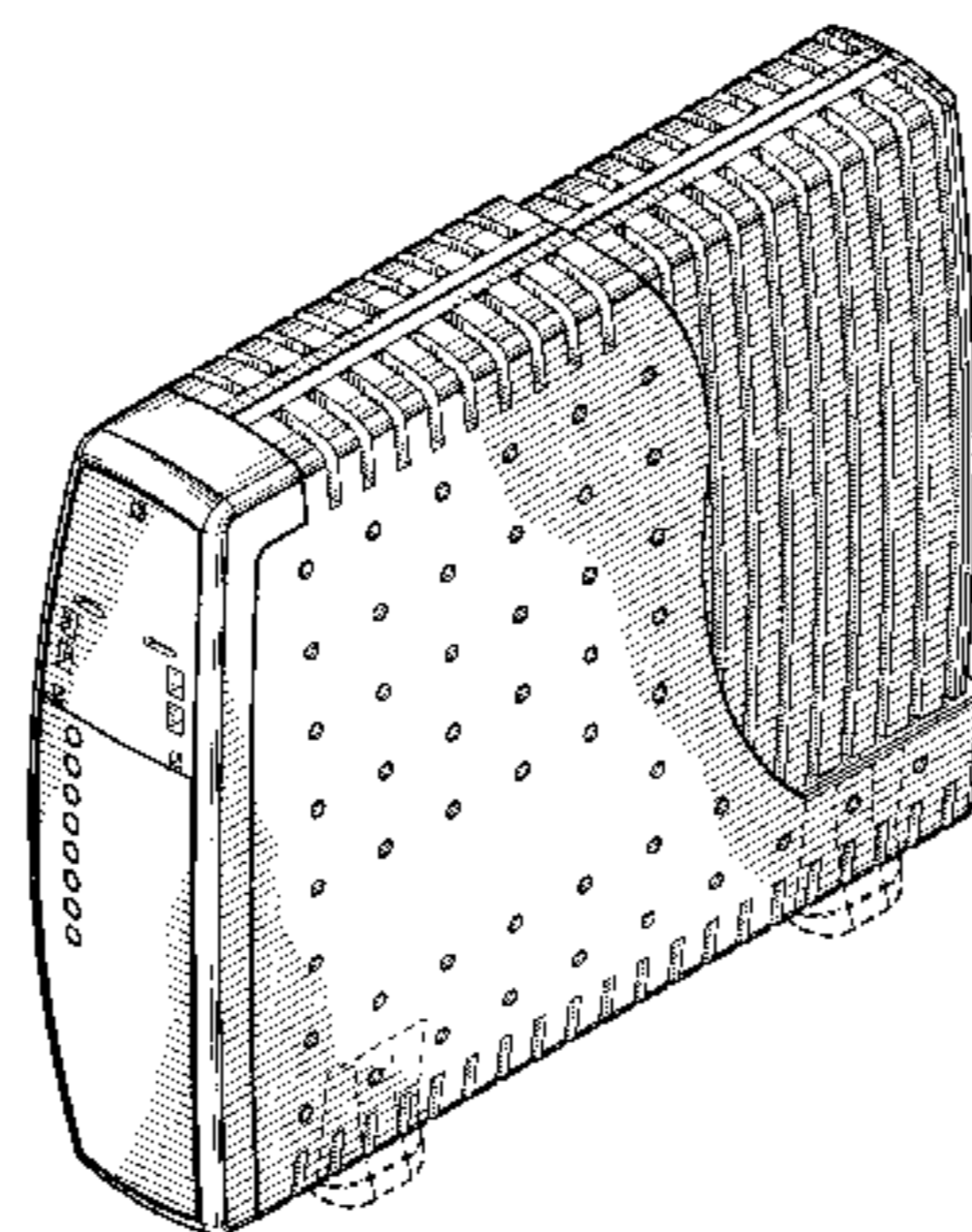
FIG. 13 is a right side elevational view of the cable modem housing shown in FIG. 8; and,

FIG. 14 is a rear elevational view of the cable modem housing shown in FIG. 8.

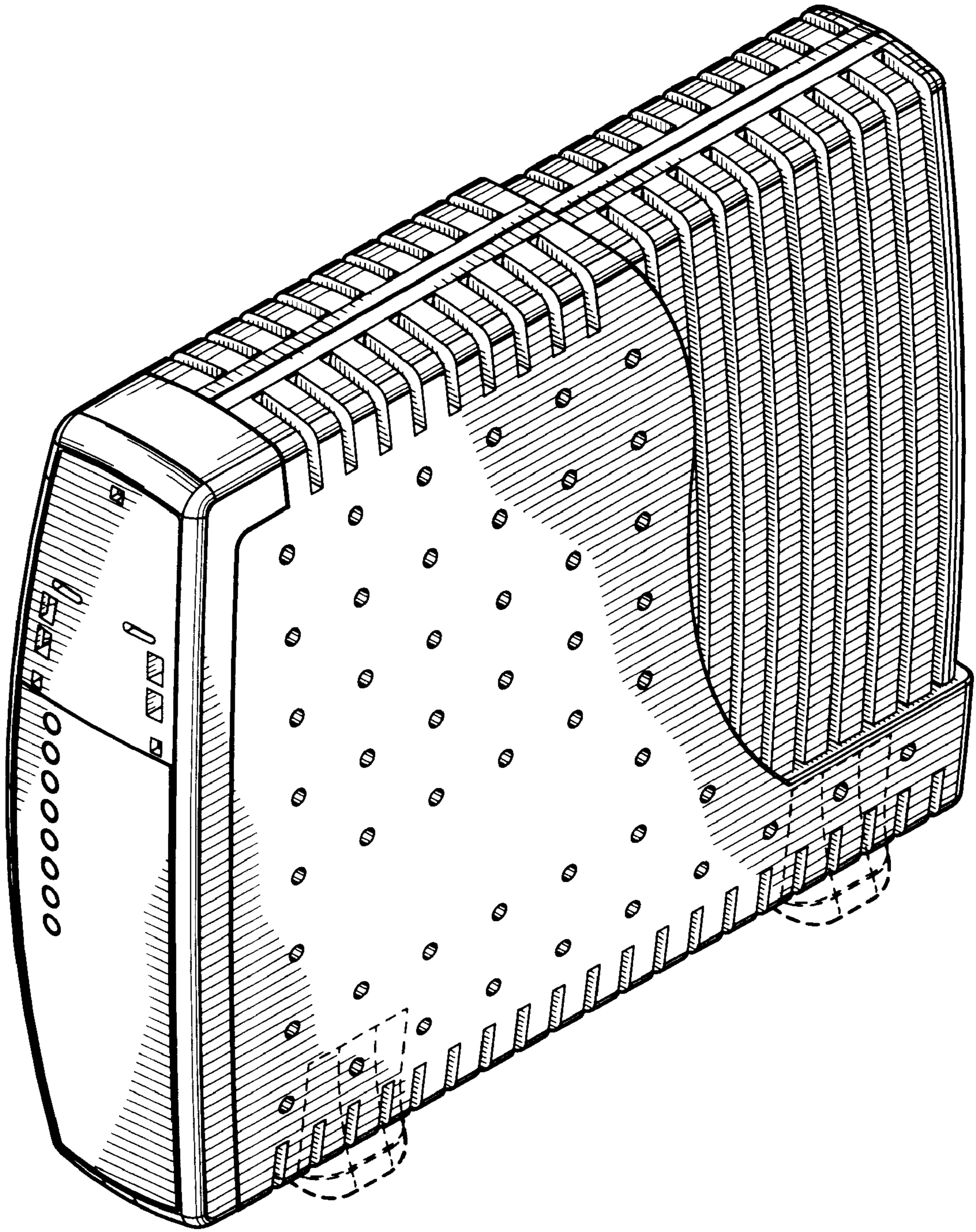
The broken line showings in FIGS. 1-7 are for illustrative purposes only and form no part of the claimed first embodiment.

*Primary Examiner—Jeffrey Asch*

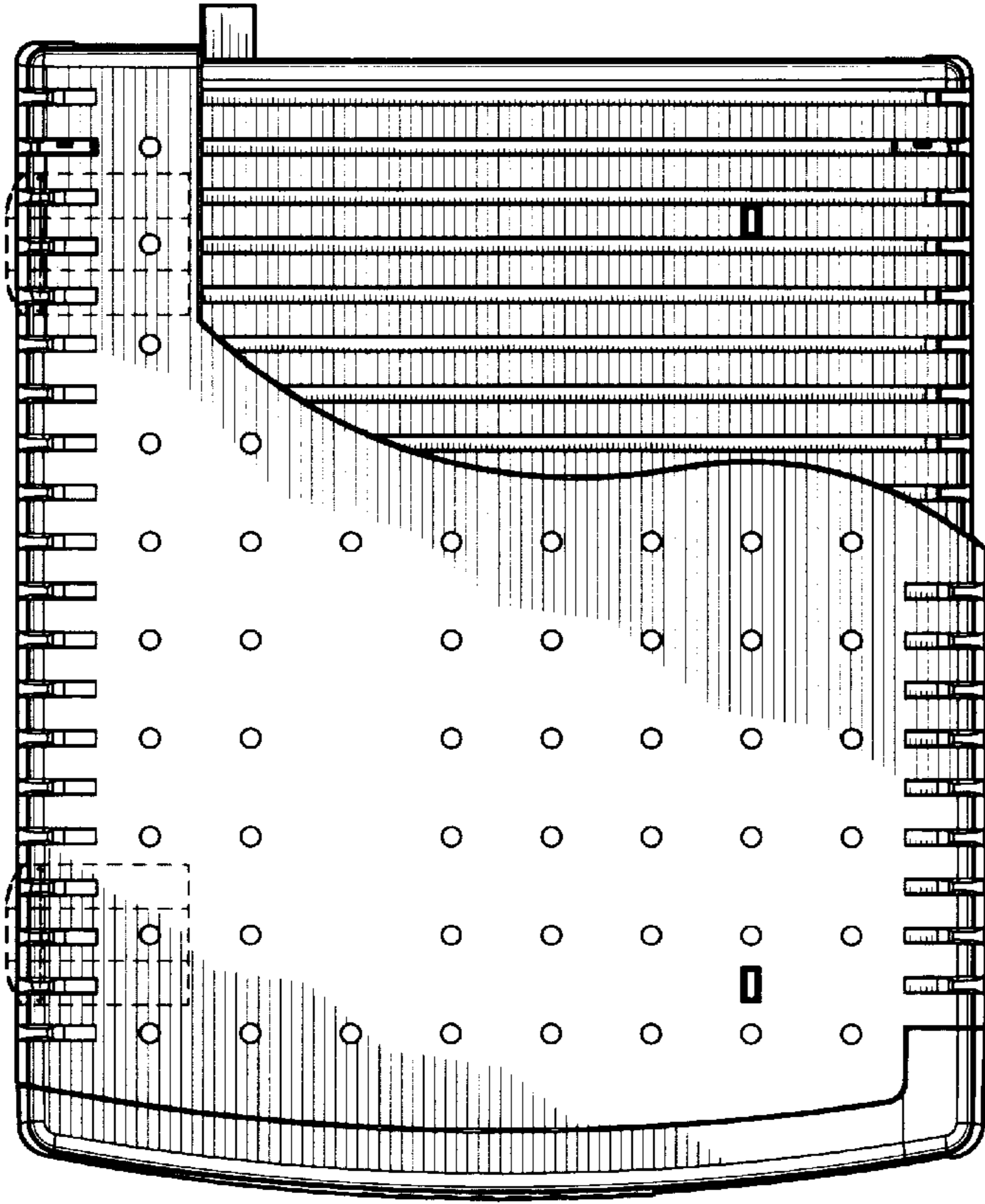
**1 Claim, 6 Drawing Sheets**



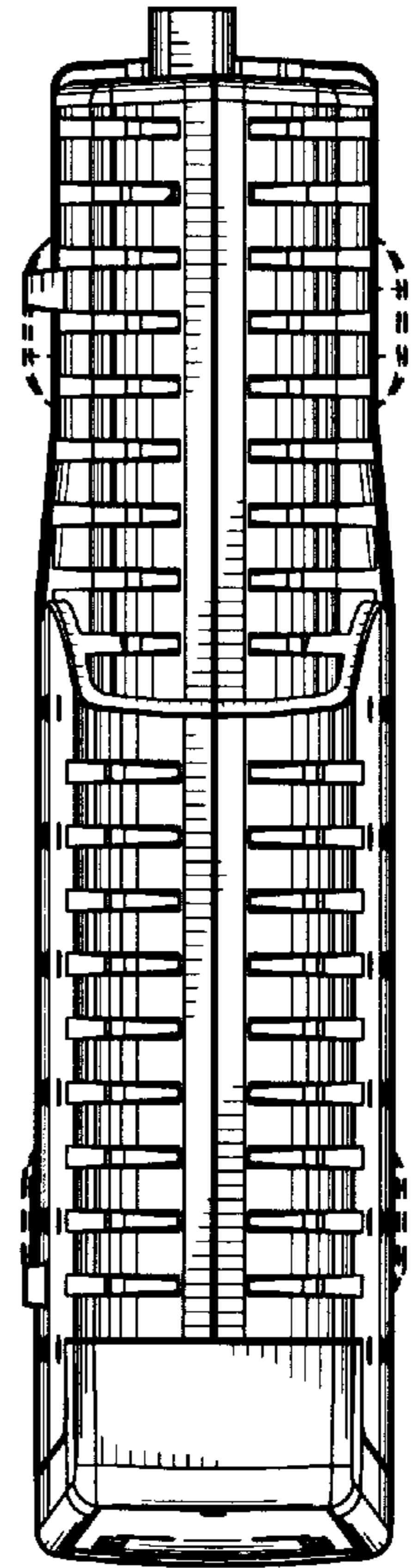




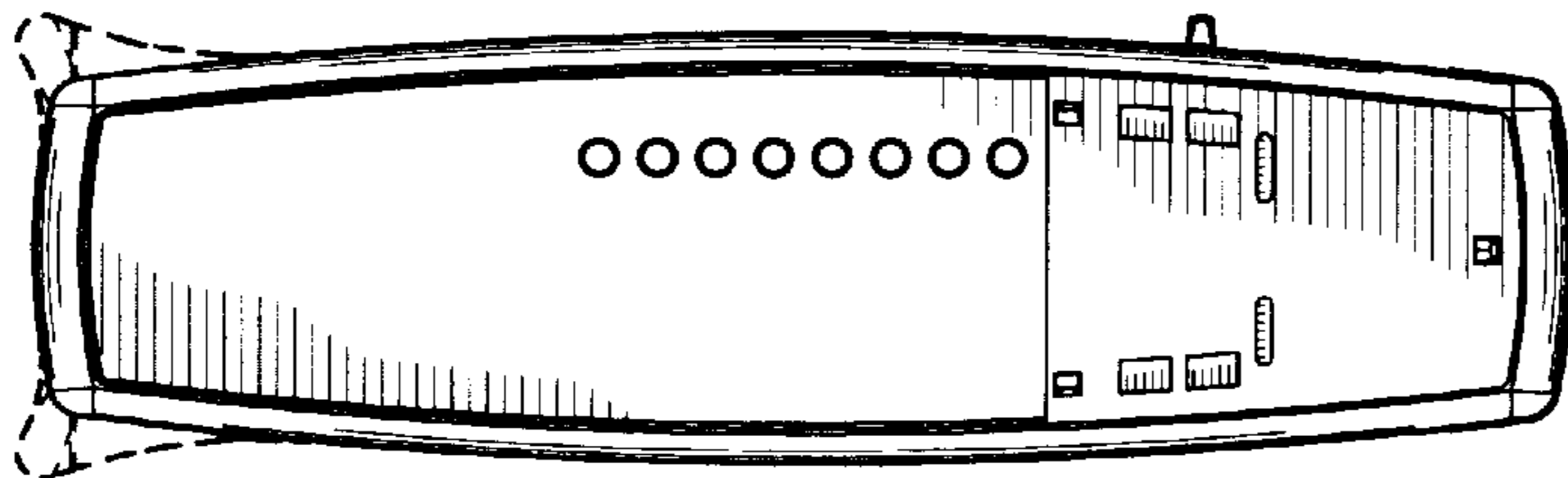
*FIG. 1*



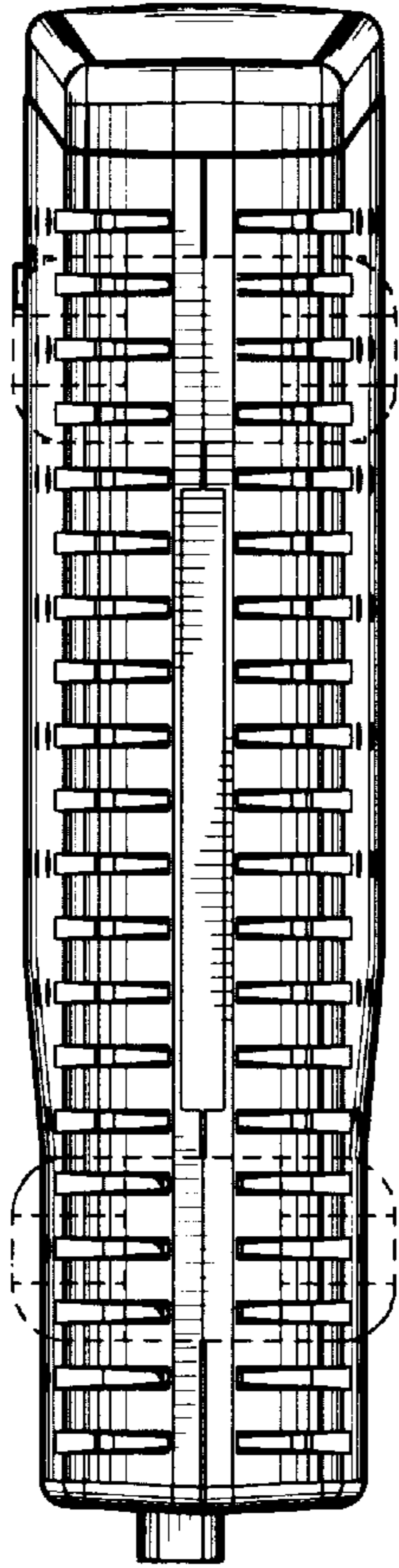
*FIG. 2*



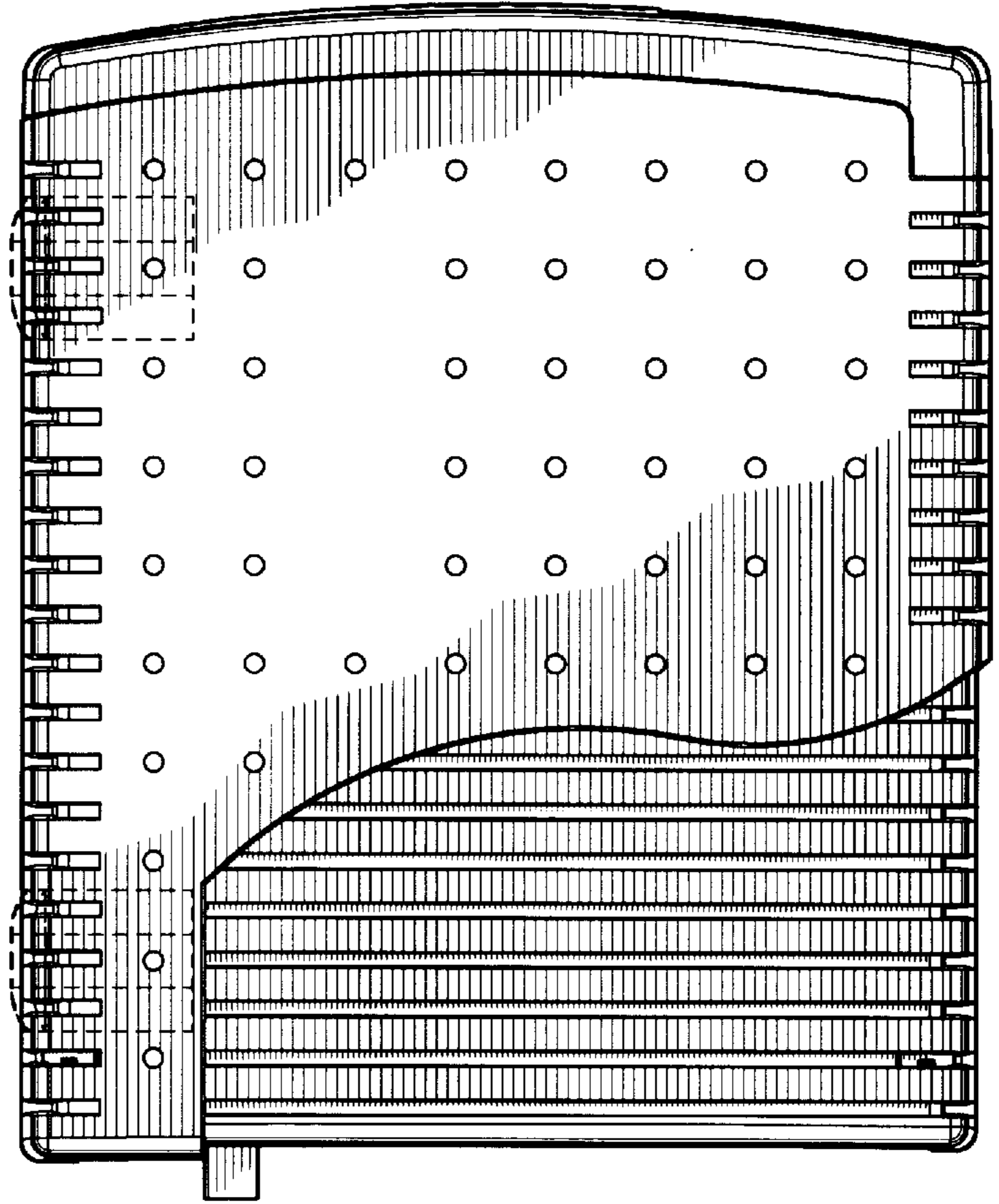
*FIG. 3*



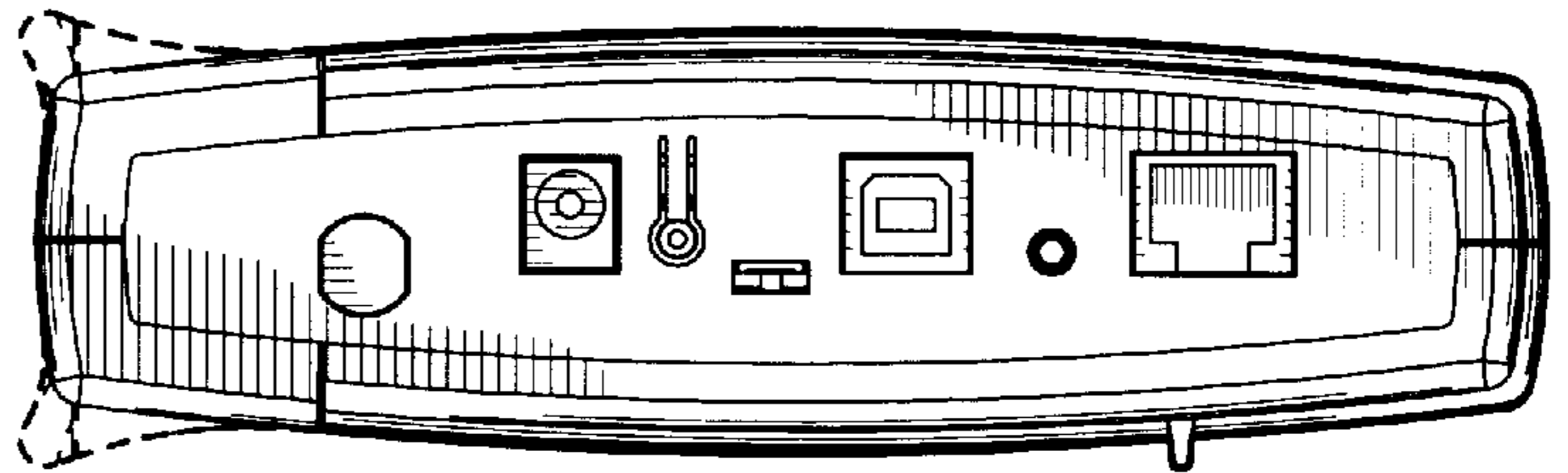
*FIG. 4*



*FIG. 5*

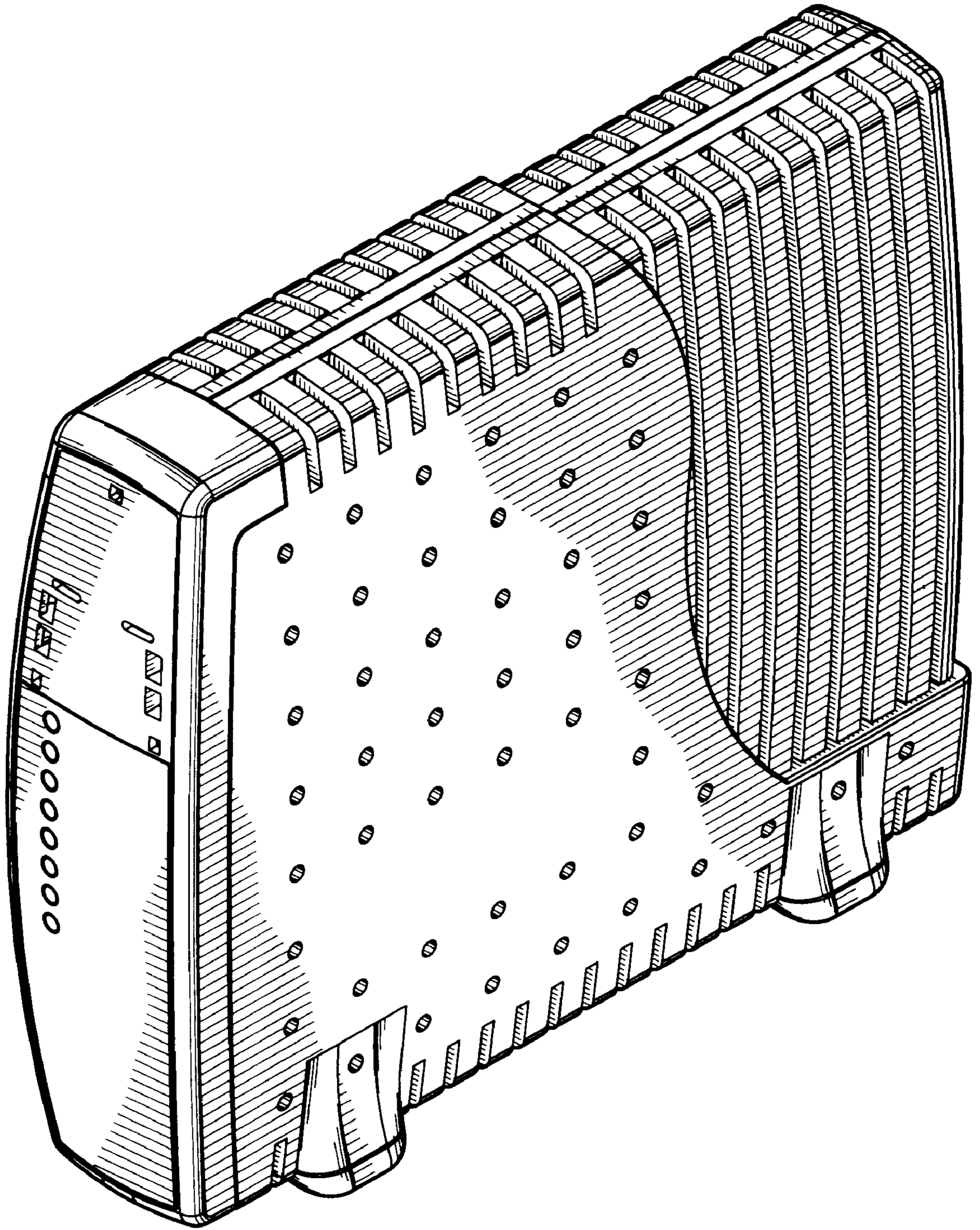


*FIG. 6*

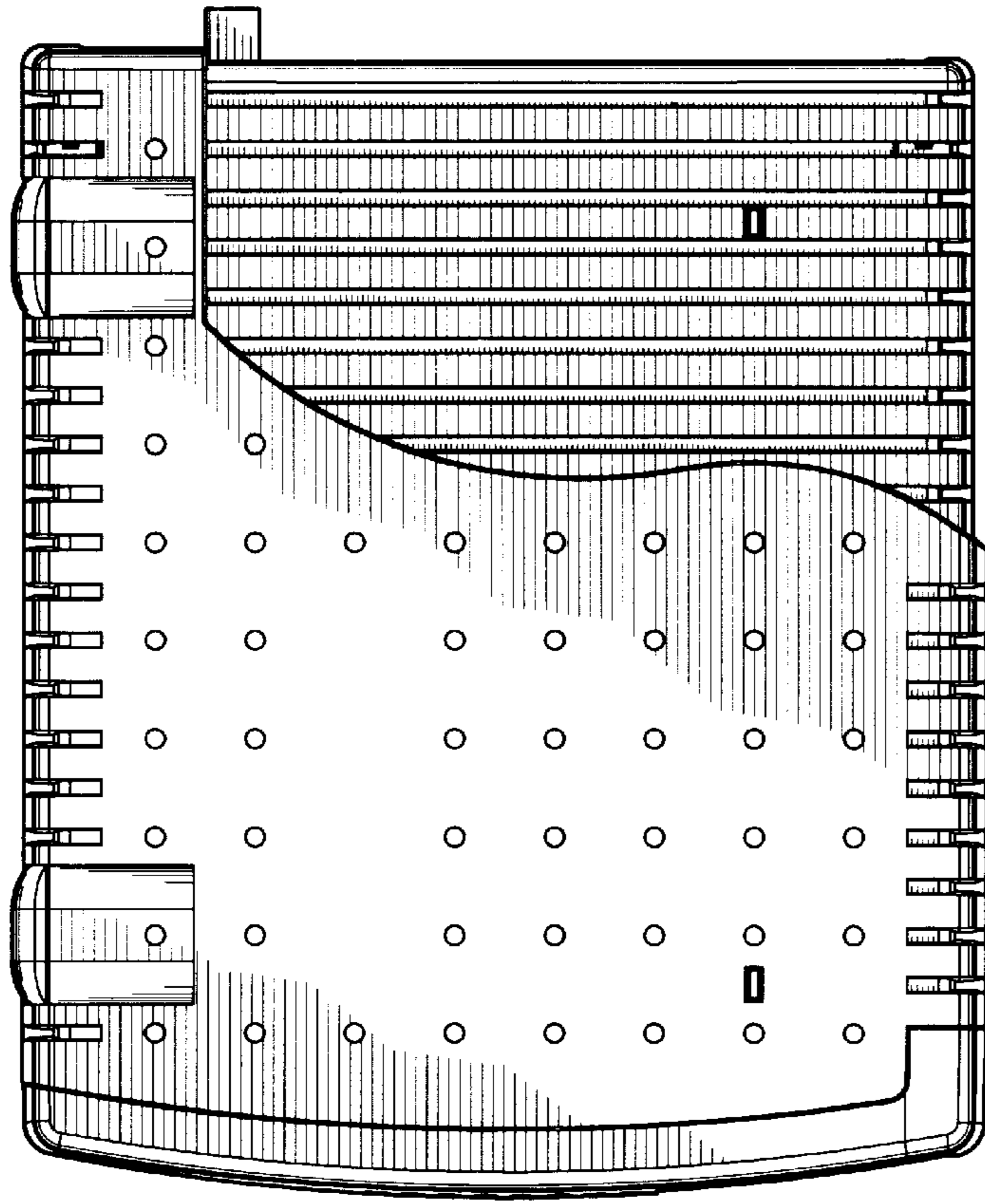


*FIG. 7*

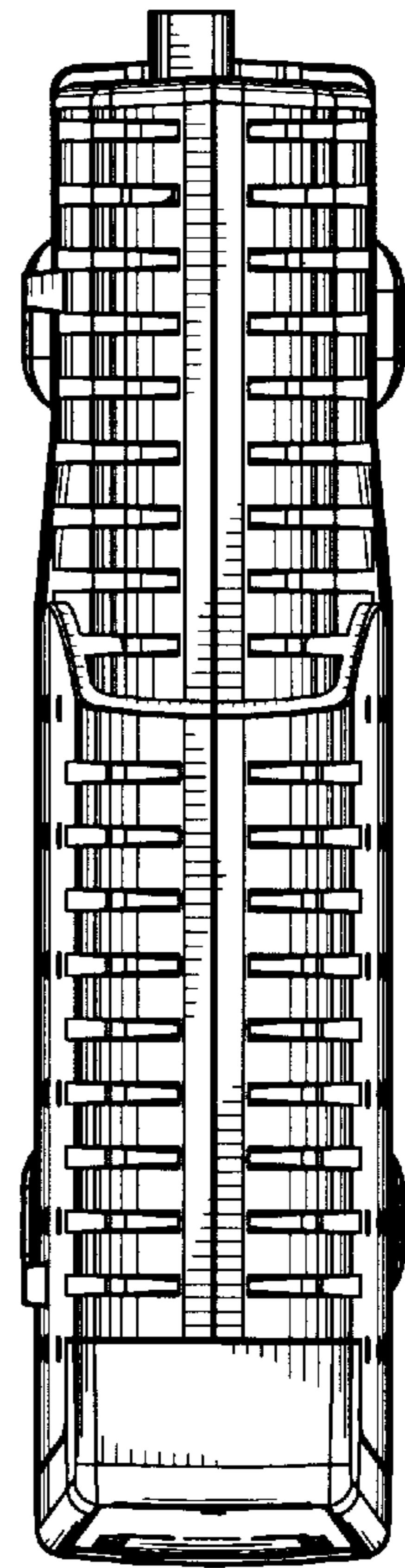




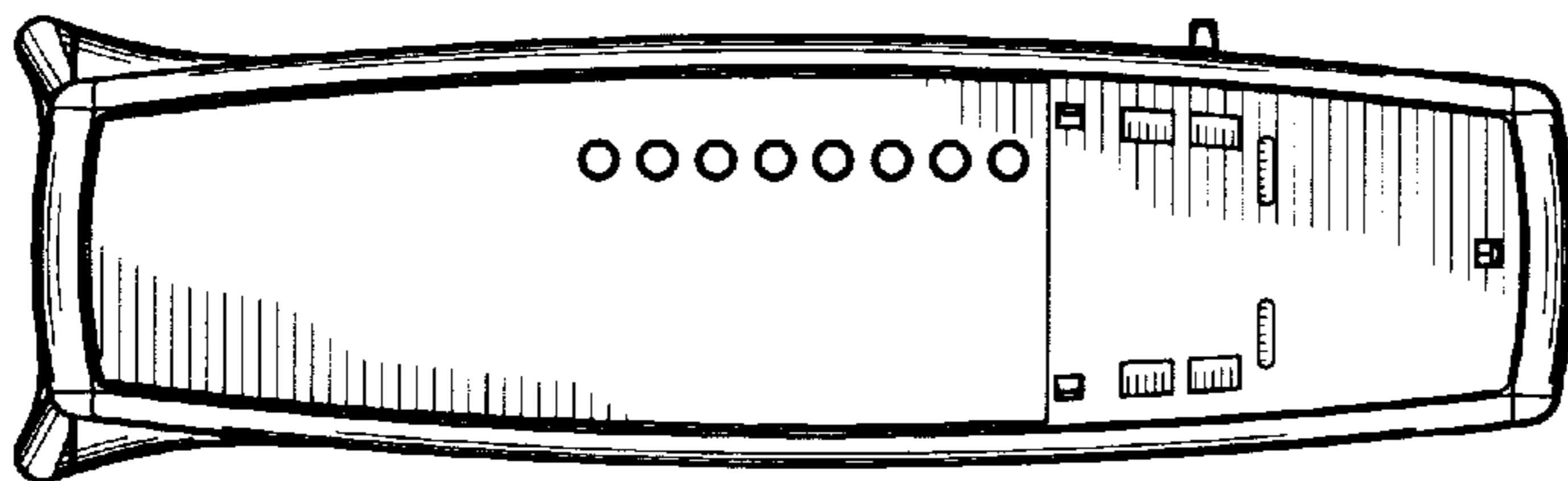
*FIG. 8*



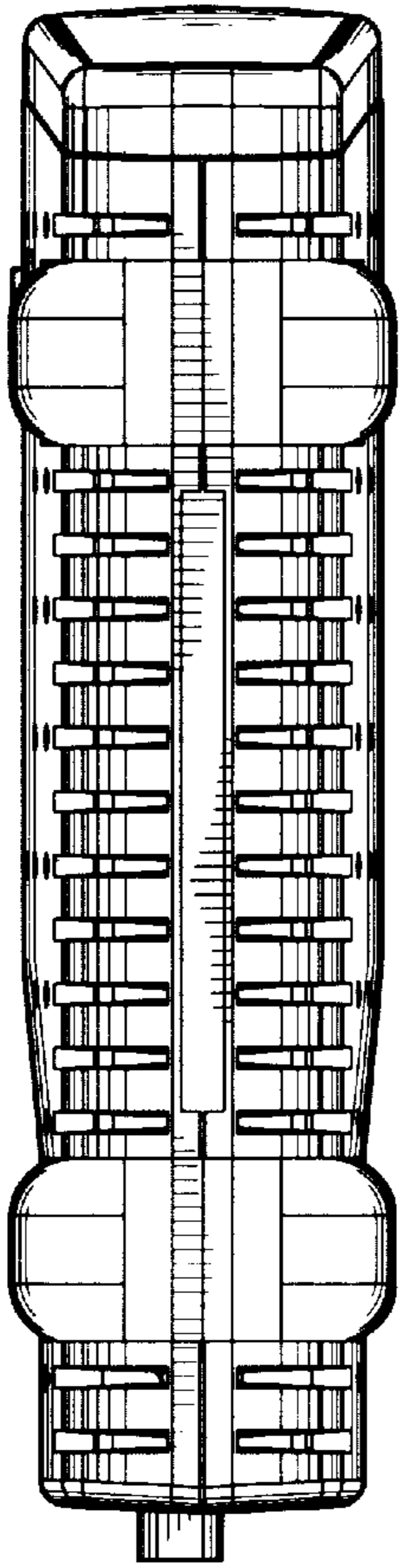
*FIG. 9*



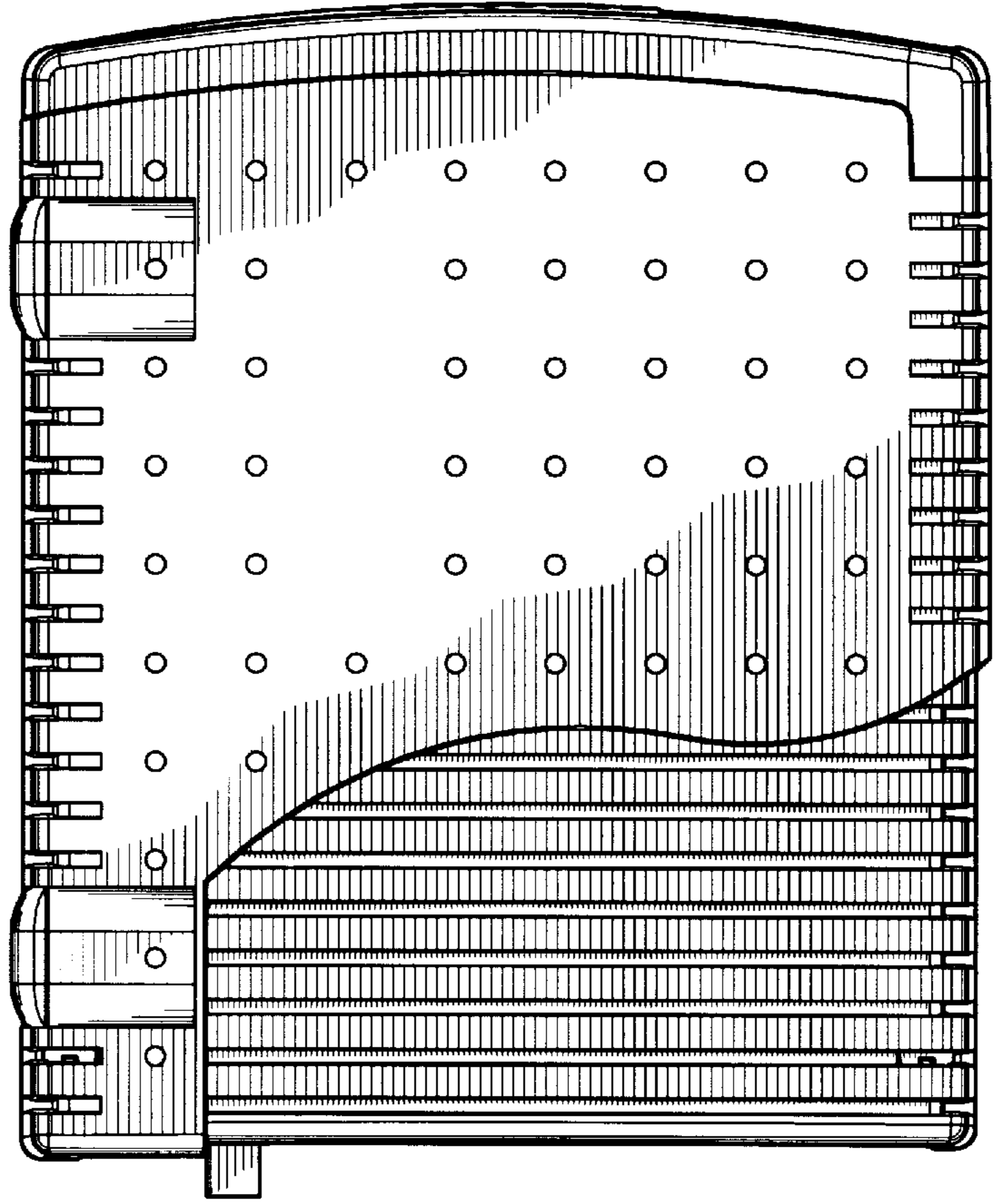
*FIG. 10*



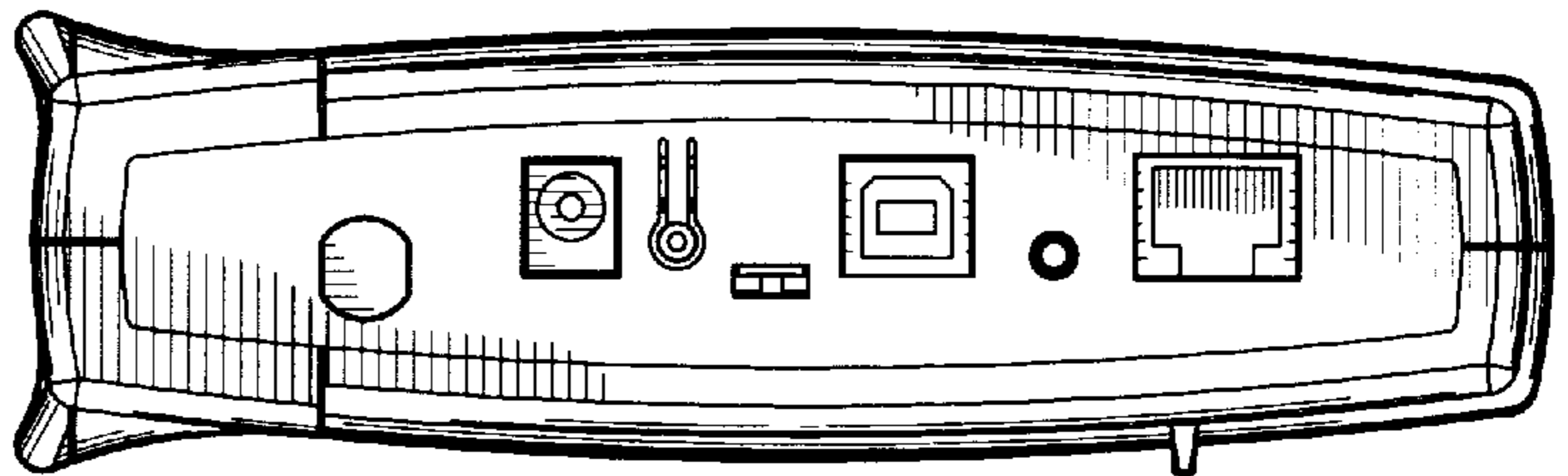
*FIG. 11*



*FIG. 12*



*FIG. 13*



*FIG. 14*