



US00D417222S

# United States Patent [19]

[11] **Patent Number: Des. 417,222**

**Johnson et al.**

[45] **Date of Patent: \*\* Nov. 30, 1999**

[54] **DISPLAY ADJUNCT FOR A TELEPHONE BASE**

[75] Inventors: **Johnnie Irving Johnson, Kinburn; Paul John Koens, Ashton; Dean Boggia, Kanata, all of Canada**

[73] Assignee: **Nortel Networks Corporation, Montreal, Canada**

[\*\*] Term: **14 Years**

[21] Appl. No.: **29/082,209**

[22] Filed: **Jan. 16, 1998**

[51] **LOC (6) Cl. .... 14-03**

[52] **U.S. Cl. .... D14/241**

[58] **Field of Search** ..... D14/137, 138, D14/148, 147, 149-151, 140-142, 240, 241, 100, 107, 114, 191; 379/433-436, 419, 420, 428, 440, 142, 441, 442; D13/162, 164, 184; D10/2, 15; 455/550-575, 90

### [56] **References Cited**

#### U.S. PATENT DOCUMENTS

- D. 232,226 7/1974 Bee et al. .... D14/241
- D. 285,558 9/1986 Isaacs ..... D14/240
- D. 298,316 11/1988 Maiskas ..... D14/141
- D. 306,027 2/1990 Gagnon ..... D14/241
- D. 306,859 3/1990 Helstab et al. .... D14/241
- D. 340,057 10/1993 Wetzel et al. .... D14/241

- D. 348,470 7/1994 Nagele et al. .... D14/241
- D. 366,837 2/1996 Cooney ..... D10/15 X
- D. 370,911 6/1996 Mo ..... D14/149
- D. 388,102 12/1997 Yoneyama ..... D14/241
- D. 392,980 3/1998 Lepak ..... D14/240

### OTHER PUBLICATIONS

Northern Telecom product brochure "Meridian Digital Telephones" Nov. 1992.

*Primary Examiner*—Jeffrey Asch

### [57] **CLAIM**

The ornamental design for a display adjunct for a telephone base, as shown and described.

### DESCRIPTION

FIG. 1 is a top perspective view from the front and the right side of the display adjunct for a telephone base of the invention;

FIG. 2 is a top plan view thereof;

FIG. 3 is a bottom plan view thereof;

FIG. 4 is a right side elevational view thereof;

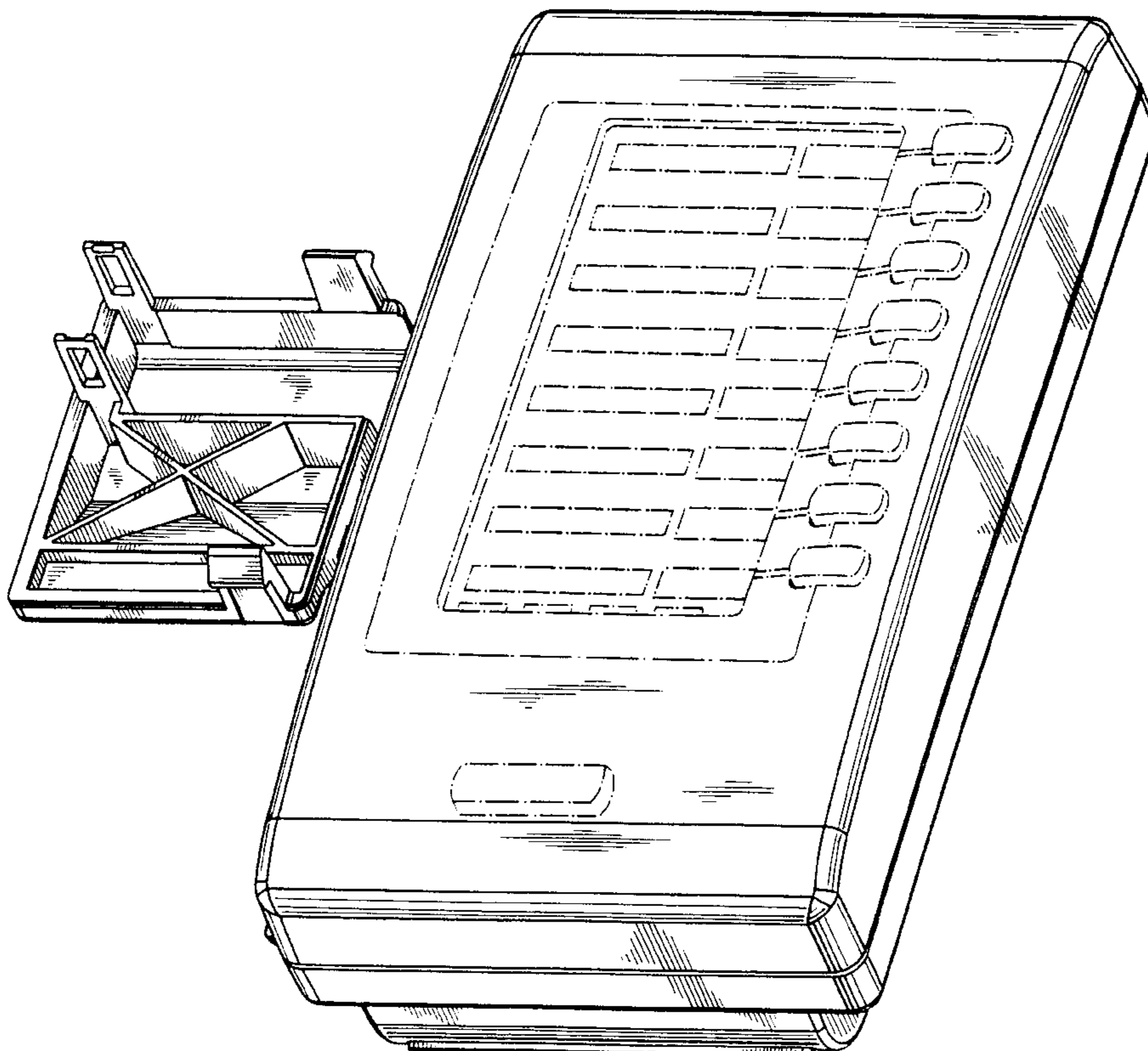
FIG. 5 is a left side elevational view thereof;

FIG. 6 is a rear elevational view thereof; and,

FIG. 7 is a front elevational view thereof.

The broken line showings throughout the views are for illustrative purposes only and form no part of the claimed design. The surfaces obscured by the broken lines are not considered to be a part of the claimed design.

**1 Claim, 5 Drawing Sheets**



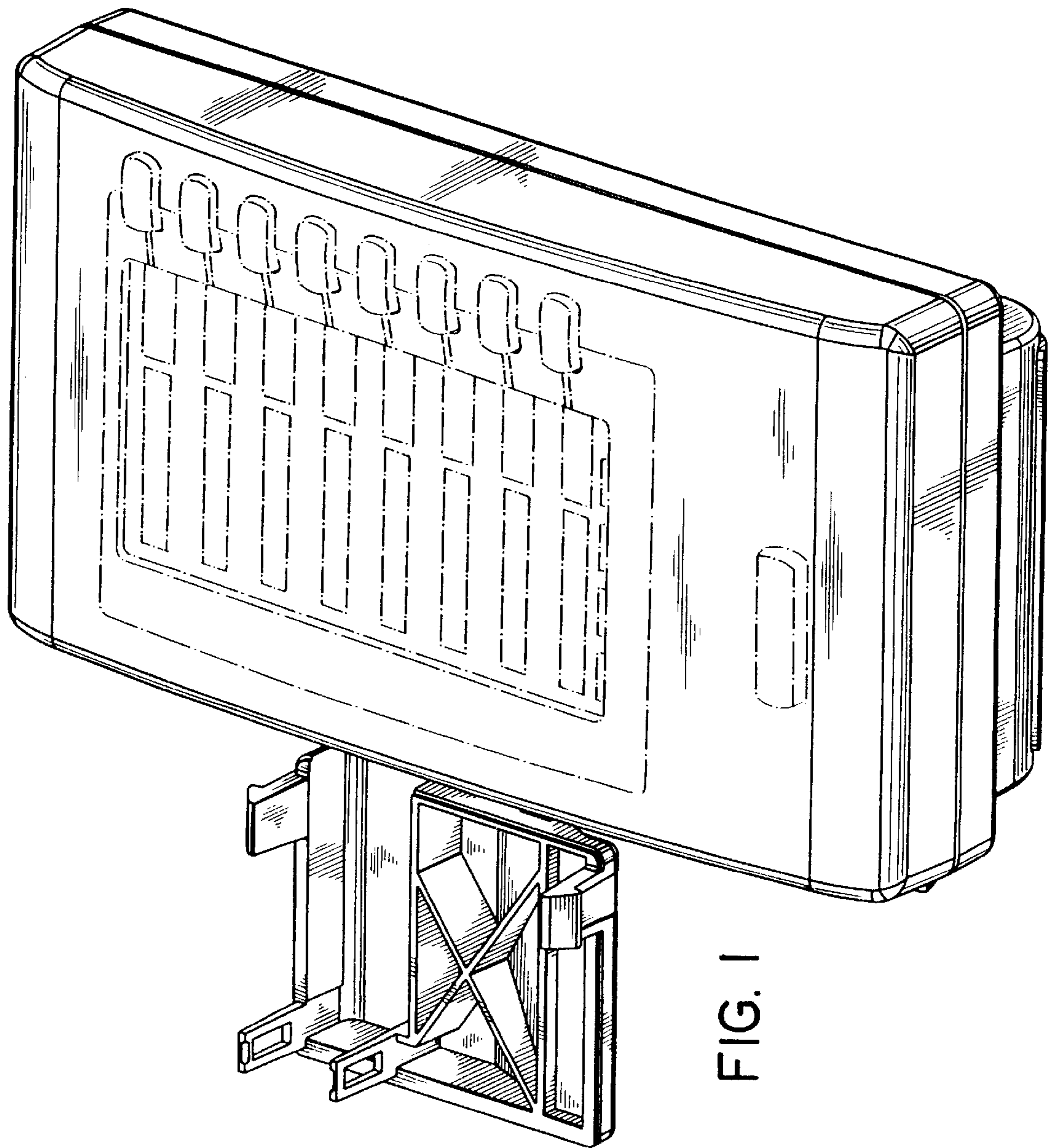


FIG. 1

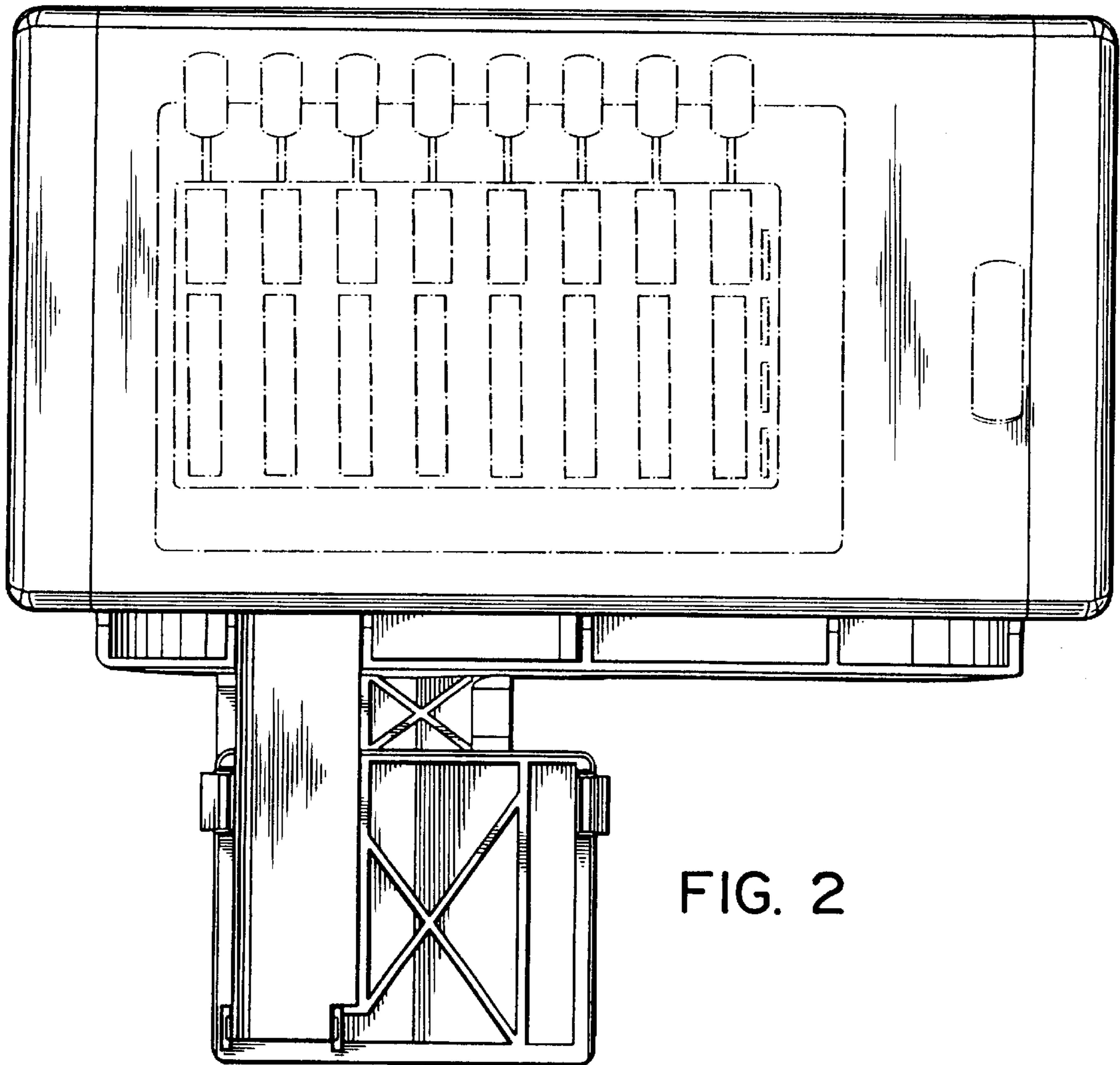


FIG. 2

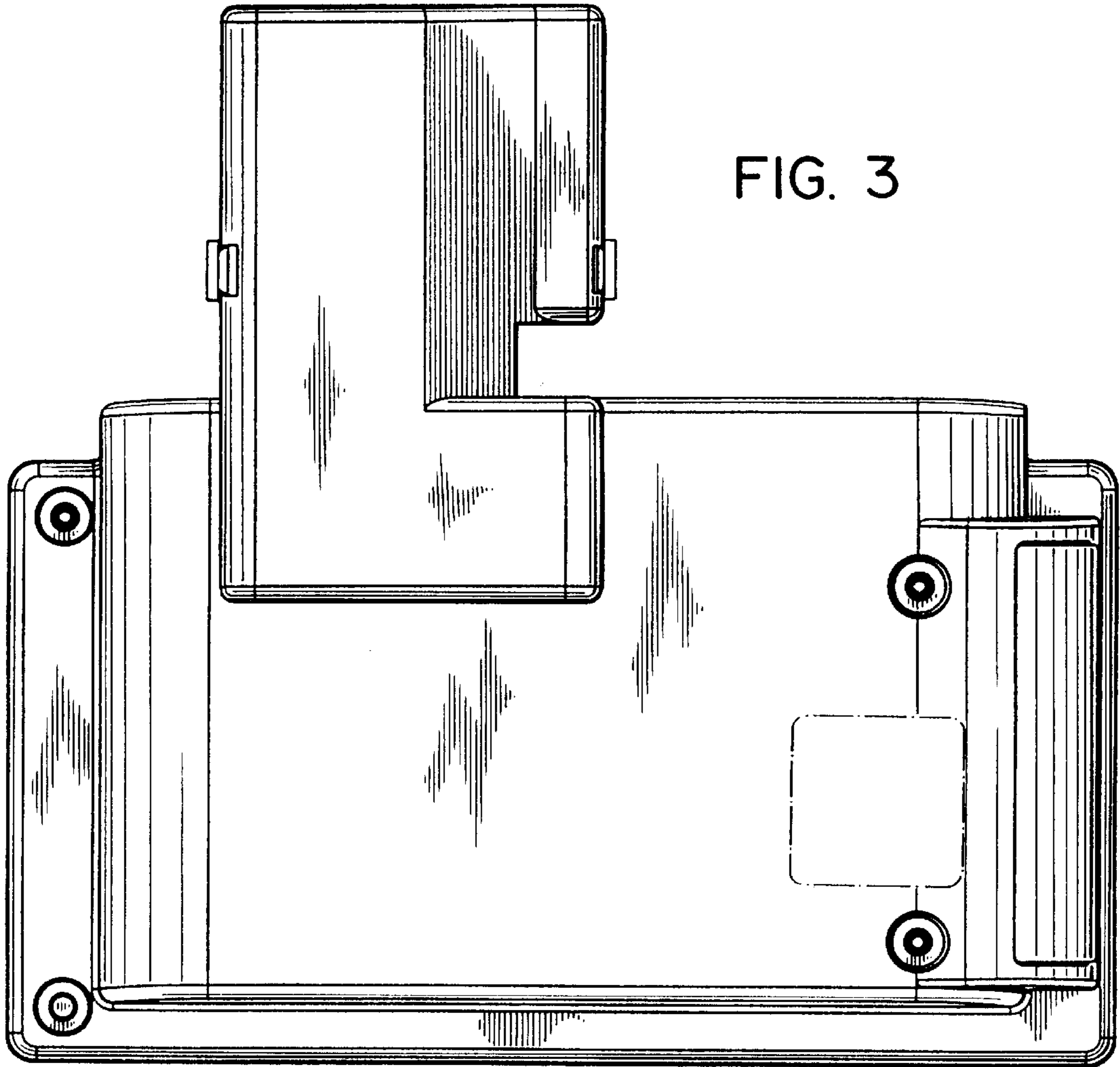


FIG. 3

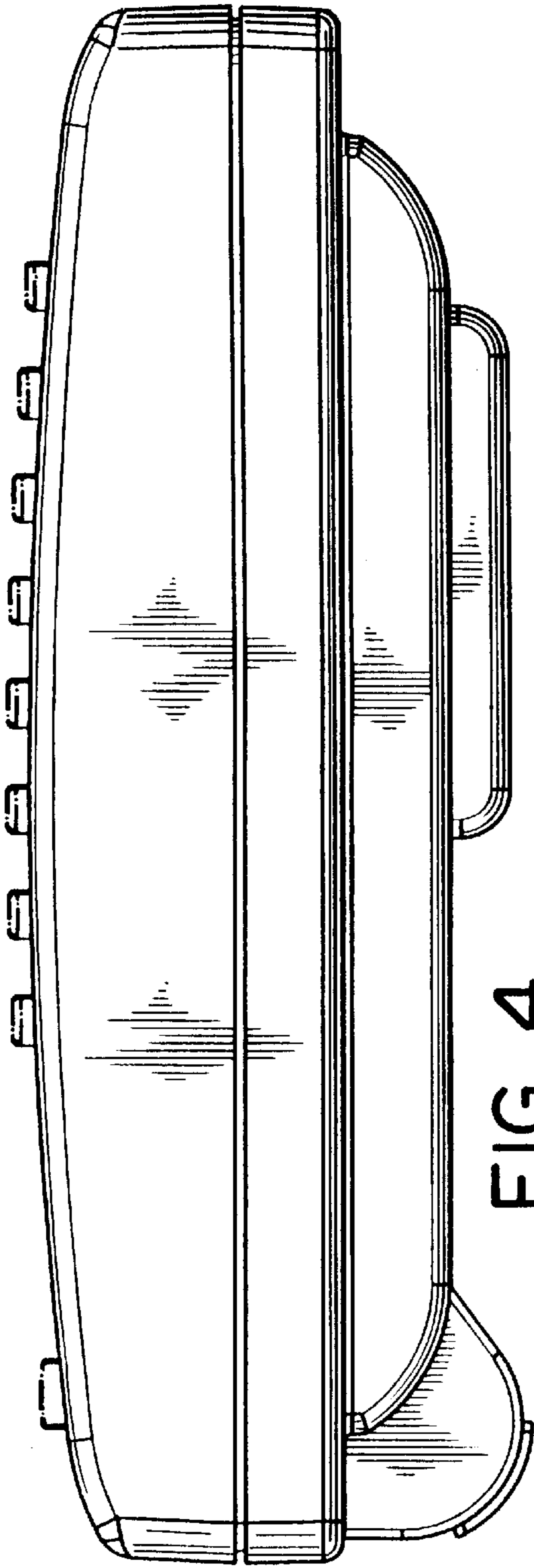


FIG. 4

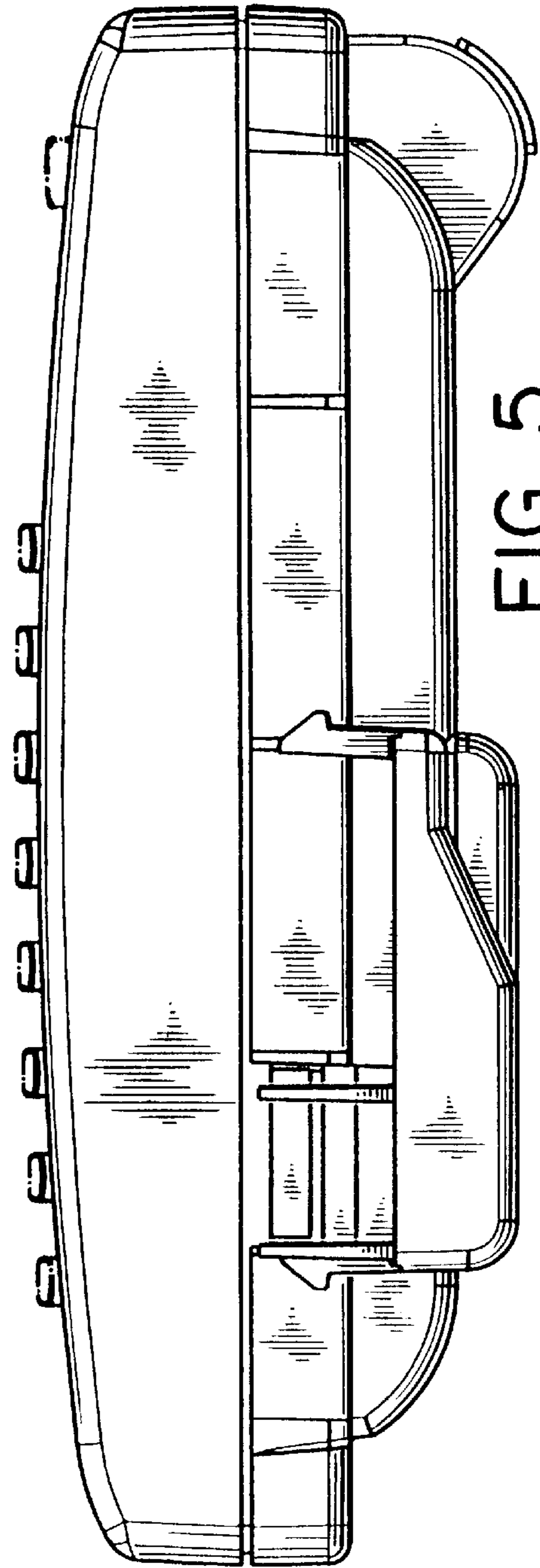


FIG. 5

FIG. 6

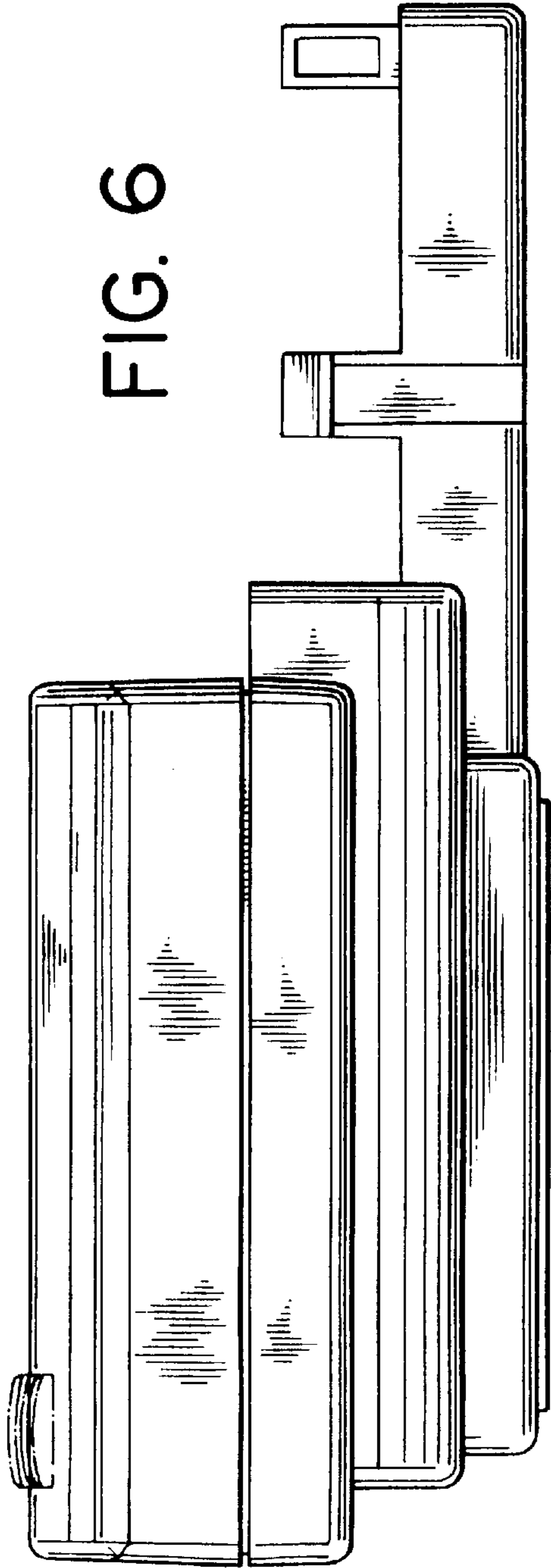


FIG. 7

