



US00D417221S

# United States Patent [19]

Johnson et al.

[11] Patent Number: **Des. 417,221**

[45] Date of Patent: **\*\* Nov. 30, 1999**

[54] **ANTENNA ATTACHMENT ASSEMBLY**

5,596,334 1/1997 Boyce et al. .... 343/702  
5,613,221 3/1997 Hunt ..... 343/702

[75] Inventors: **Greg Johnson**, Apton, Calif.; **Kevin K. Ketelson**, Glenns Ferry, Id.

*Primary Examiner*—Louis S. Zarfes  
*Assistant Examiner*—Gregory Andoll  
*Attorney, Agent, or Firm*—Larkin, Hoffman, Daly & Lindgren, Ltd.

[73] Assignee: **Rangestar International Corporation**, Aptos, Calif.

[\*\*] Term: **14 Years**

### [57] CLAIM

[21] Appl. No.: **29/099,955**

The ornamental design for an antenna attachment assembly, as shown.

[22] Filed: **Feb. 1, 1999**

### DESCRIPTION

[51] **LOC (6) Cl.** ..... **14-03**

[52] **U.S. Cl.** ..... **D14/230; D14/234; D14/238;**  
343/702

[58] **Field of Search** ..... D14/230-238,  
D14/138; 343/702, 833, 712, 872, 908,  
878, 840, 725, 870, 805, 726, 786, 823,  
795, 713, 708, 882, 714, 916

FIG. 1 is a perspective view of an antenna attachment assembly showing our new design;  
FIG. 2 is a top elevational view thereof;  
FIG. 3 is a bottom elevational view thereof;  
FIG. 4 is a front elevational view thereof;  
FIG. 5 is a left side elevational view thereof;  
FIG. 6 is a back elevational view thereof; and,  
FIG. 7 is another perspective view thereof.  
The broken line showing of the telephone in FIG. 7 is for illustrative purposes only and forms no part of the claimed design.

### [56] References Cited

#### U.S. PATENT DOCUMENTS

D. 391,966 3/1998 Mischenko et al. .... D14/230  
D. 399,211 10/1998 Cockson ..... D14/233  
4,121,218 10/1978 Irwin et al. .... 343/702

**1 Claim, 3 Drawing Sheets**

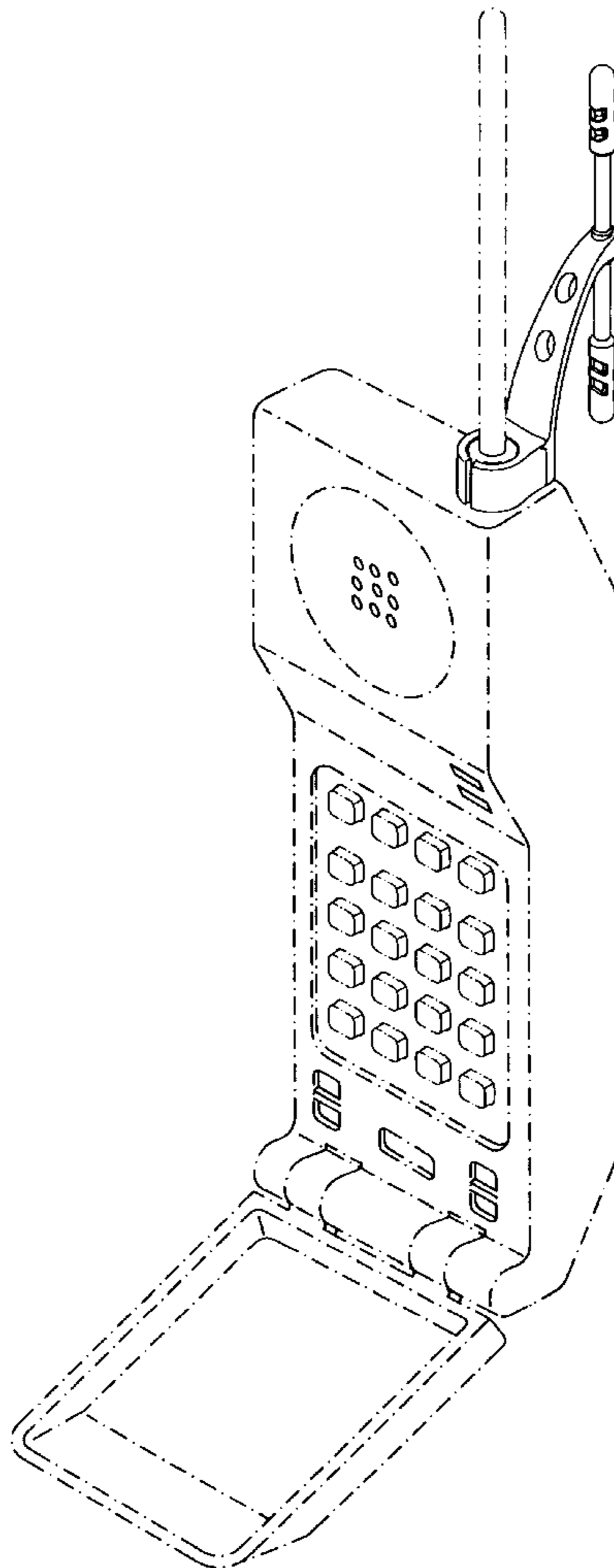


FIG-1

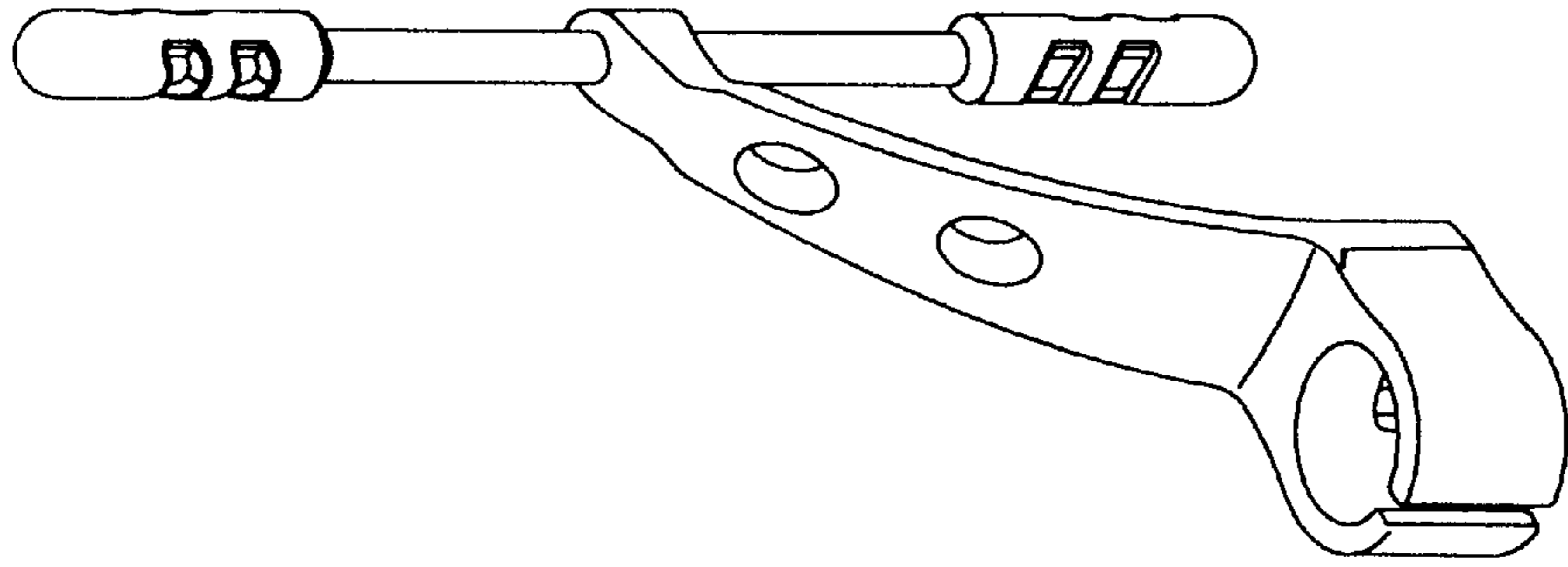


FIG-2

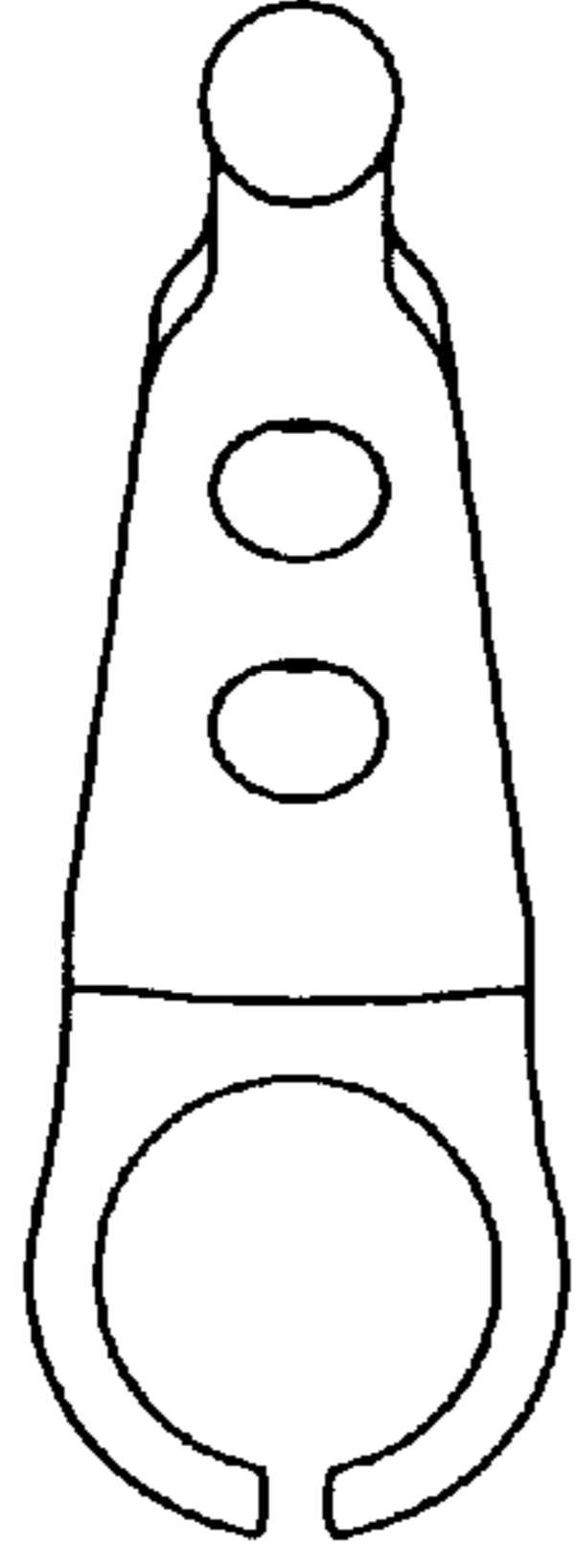


FIG-3

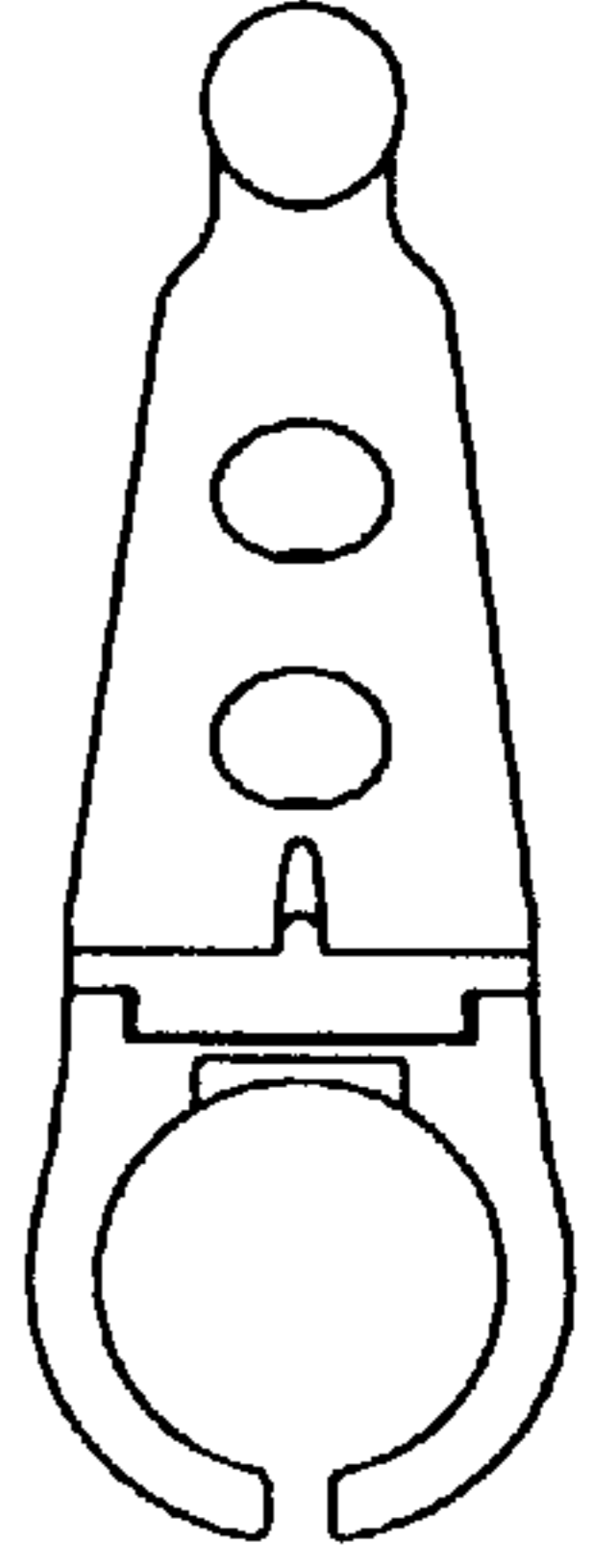


FIG-6

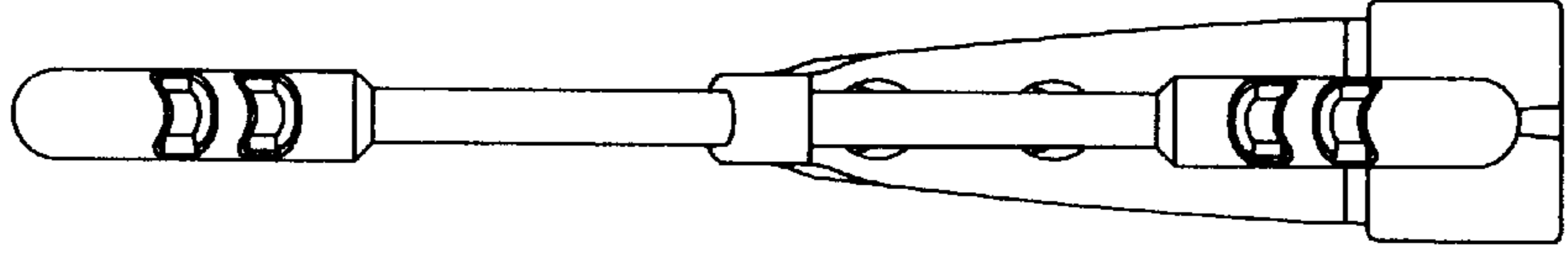


FIG-5

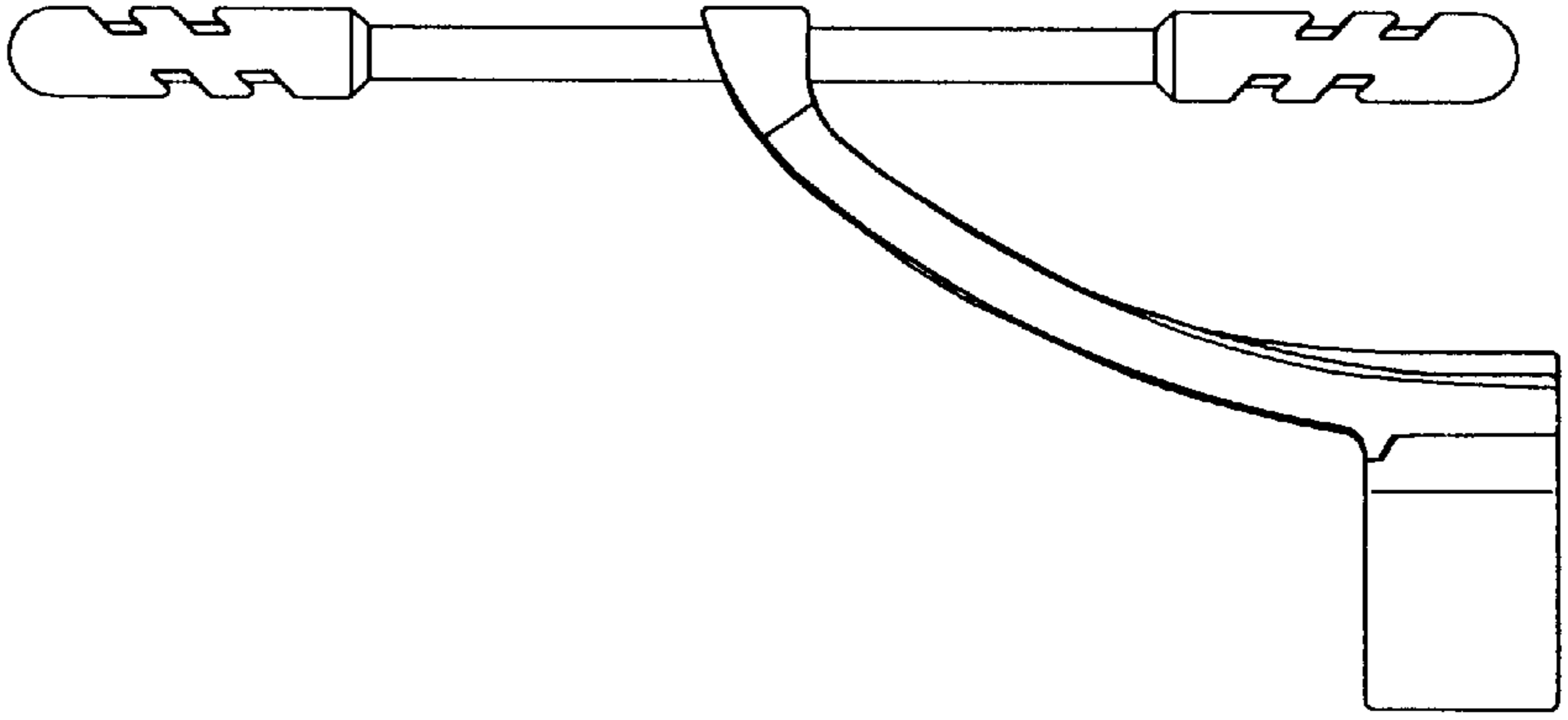


FIG-4

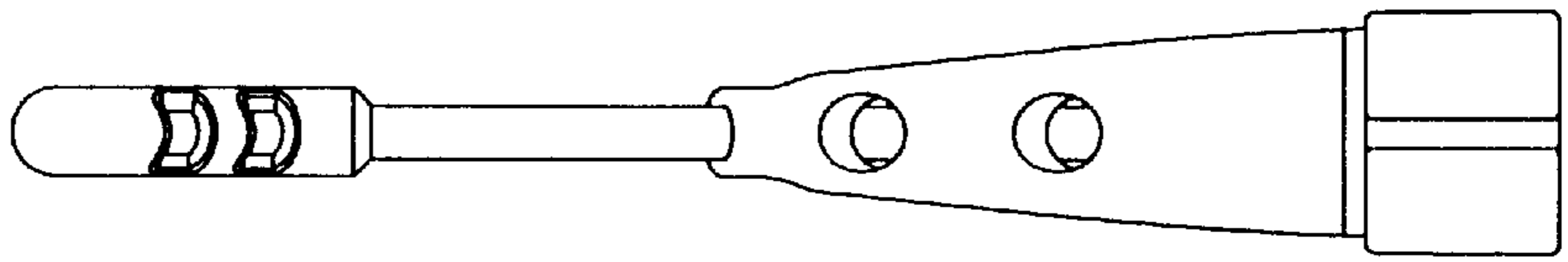


FIG-7

