



US00D417200S

# United States Patent [19] Sasago

[11] **Patent Number: Des. 417,200**

[45] **Date of Patent: \*\* Nov. 30, 1999**

[54] **DATA PROCESSOR**

[75] Inventor: **Osamu Sasago**, Tokyo, Japan

[73] Assignee: **Sony Corporation**, Tokyo, Japan

[\*\*] Term: **14 Years**

[21] Appl. No.: **29/094,057**

[22] Filed: **Sep. 24, 1998**

[30] **Foreign Application Priority Data**

Apr. 3, 1998 [JP] Japan ..... 10-9603

[51] **LOC (6) Cl. .... 14-02**

[52] **U.S. Cl. .... D14/100**

[58] **Field of Search** ..... D14/100, 102,  
D14/107-109; D6/432, 436, 445, 448; D13/162,  
184, 199; 312/208.1; 360/99.12; 361/690-696

[56] **References Cited**

**U.S. PATENT DOCUMENTS**

D. 315,557 3/1991 Hill ..... D14/107  
D. 334,176 3/1993 Steinbugler ..... D14/100

**OTHER PUBLICATIONS**

Catalog; "BDX-Series"; Sony; Nov. 1997.

*Primary Examiner*—Freda Nunn

*Attorney, Agent, or Firm*—Foley & Lardner

[57] **CLAIM**

The ornamental design for a data processor, as shown and described.

**DESCRIPTION**

FIG. 1 is a perspective view of a first embodiment of a data processor showing my design;

FIG. 2 is a top plan view thereof the bottom plan view is unornamented;

FIG. 3 is a left side elevational view thereof, a right side elevational view being a mirror image;

FIG. 4 is a front elevational view thereof the rear view is unornamented;

FIG. 5 is a perspective view of a second embodiment of a data processor showing my new design;

FIG. 6 is a top plan view thereof;

FIG. 7 is a left side elevational view thereof;

FIG. 8 is a front elevational view thereof;

FIG. 9 is a bottom plan view thereof;

FIG. 10 is a right side elevational view thereof; and,

FIG. 11 is a rear elevational view thereof.

**1 Claim, 7 Drawing Sheets**

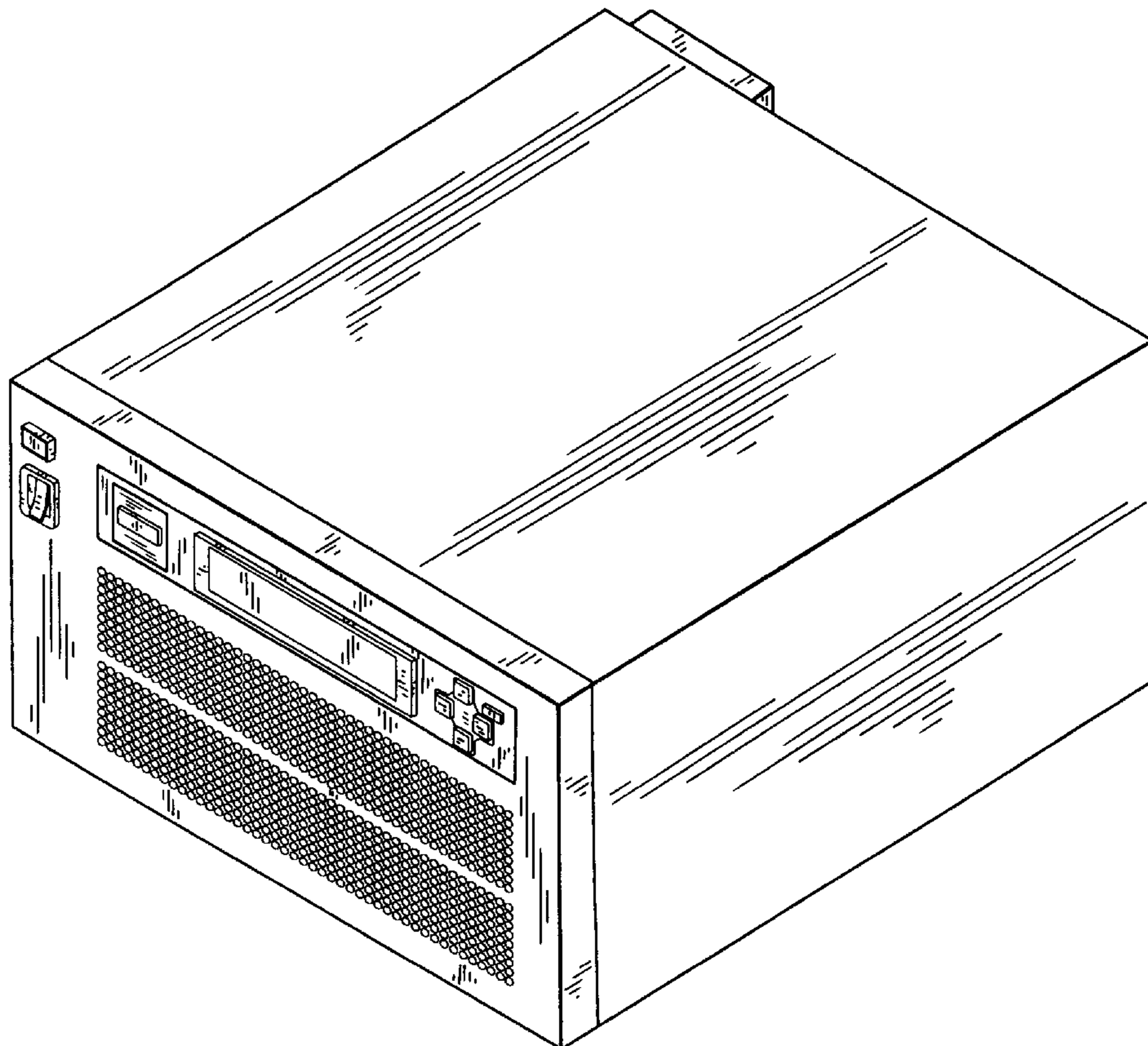


FIG. 1

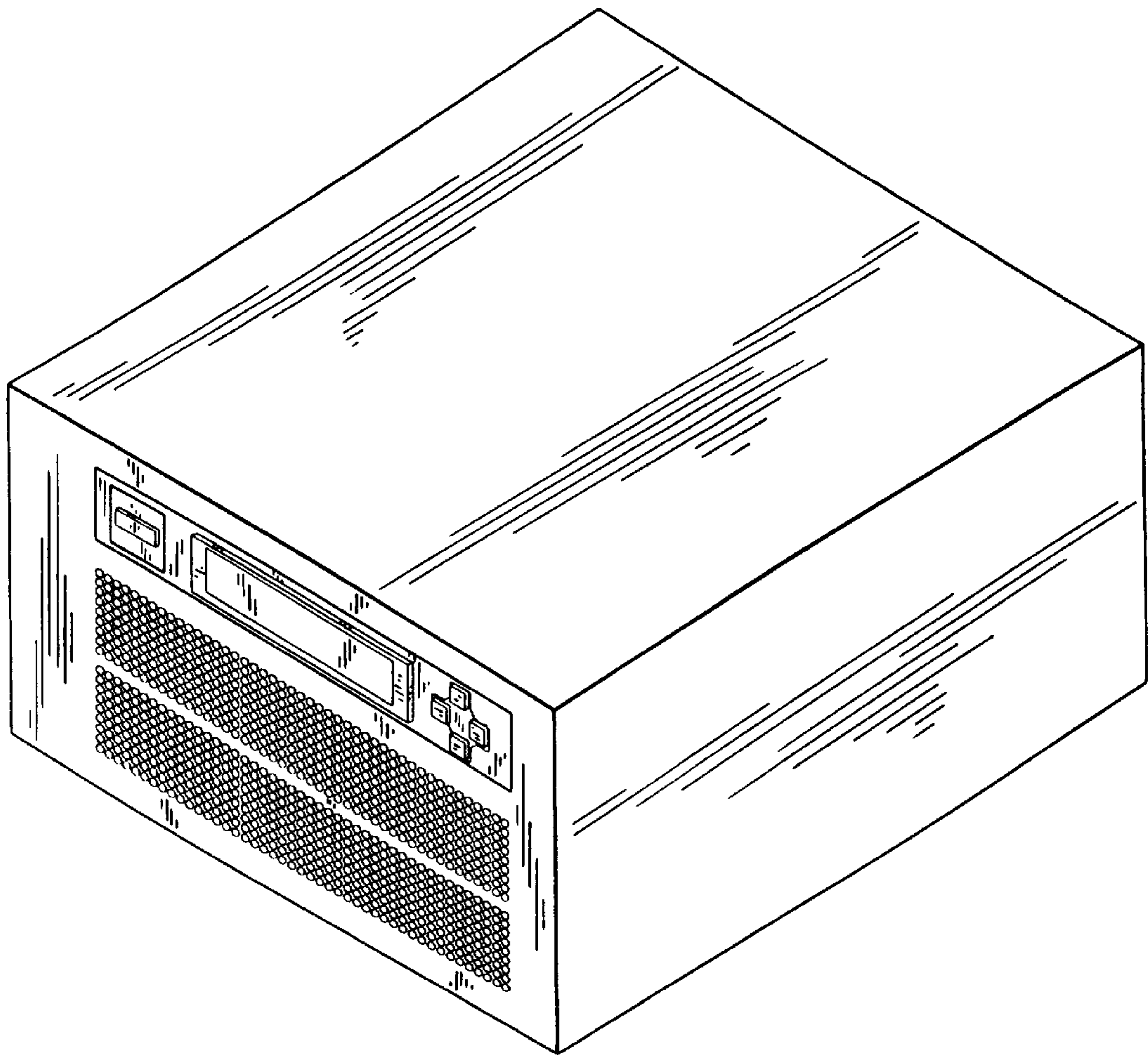


FIG. 2

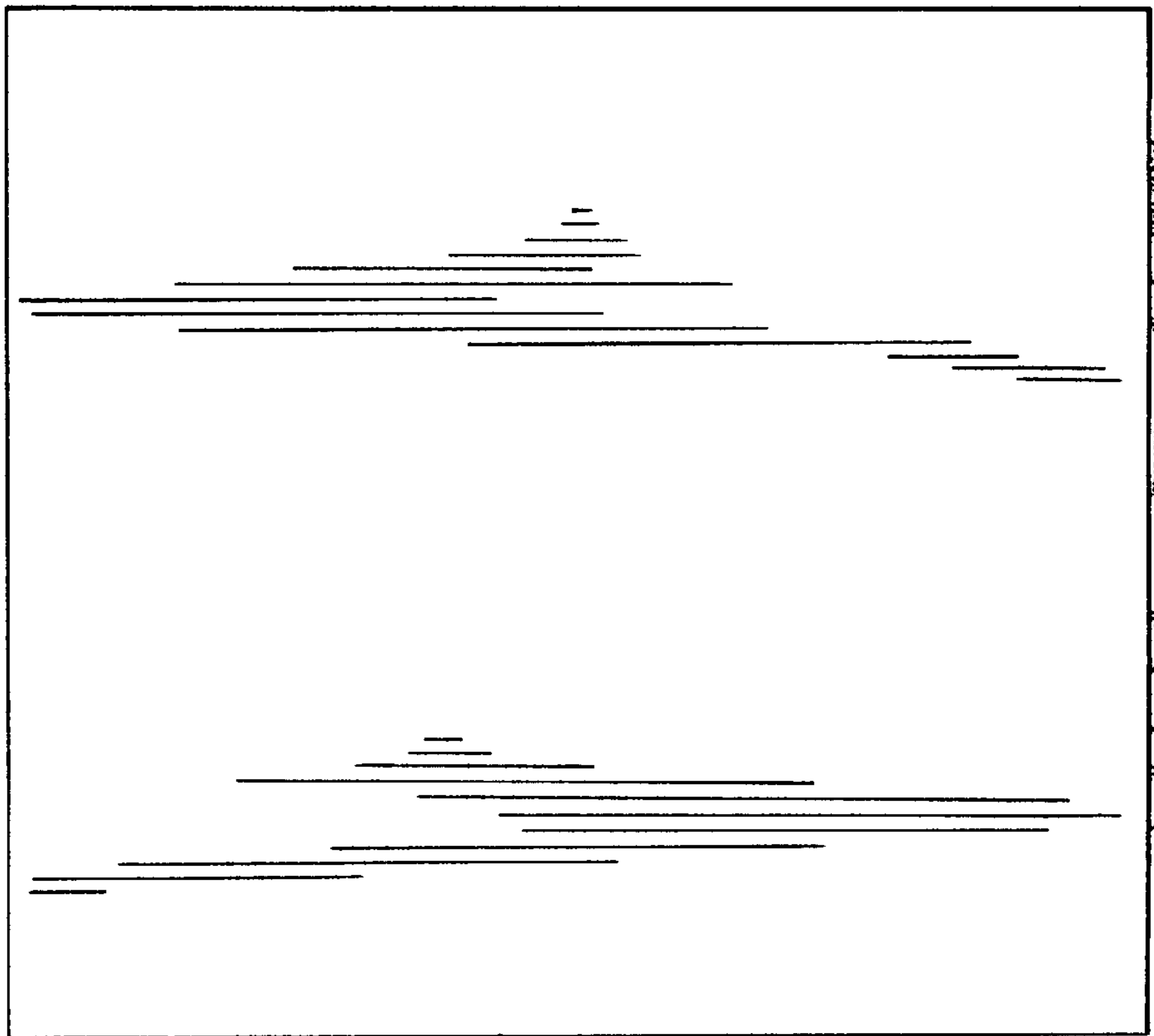


FIG. 4

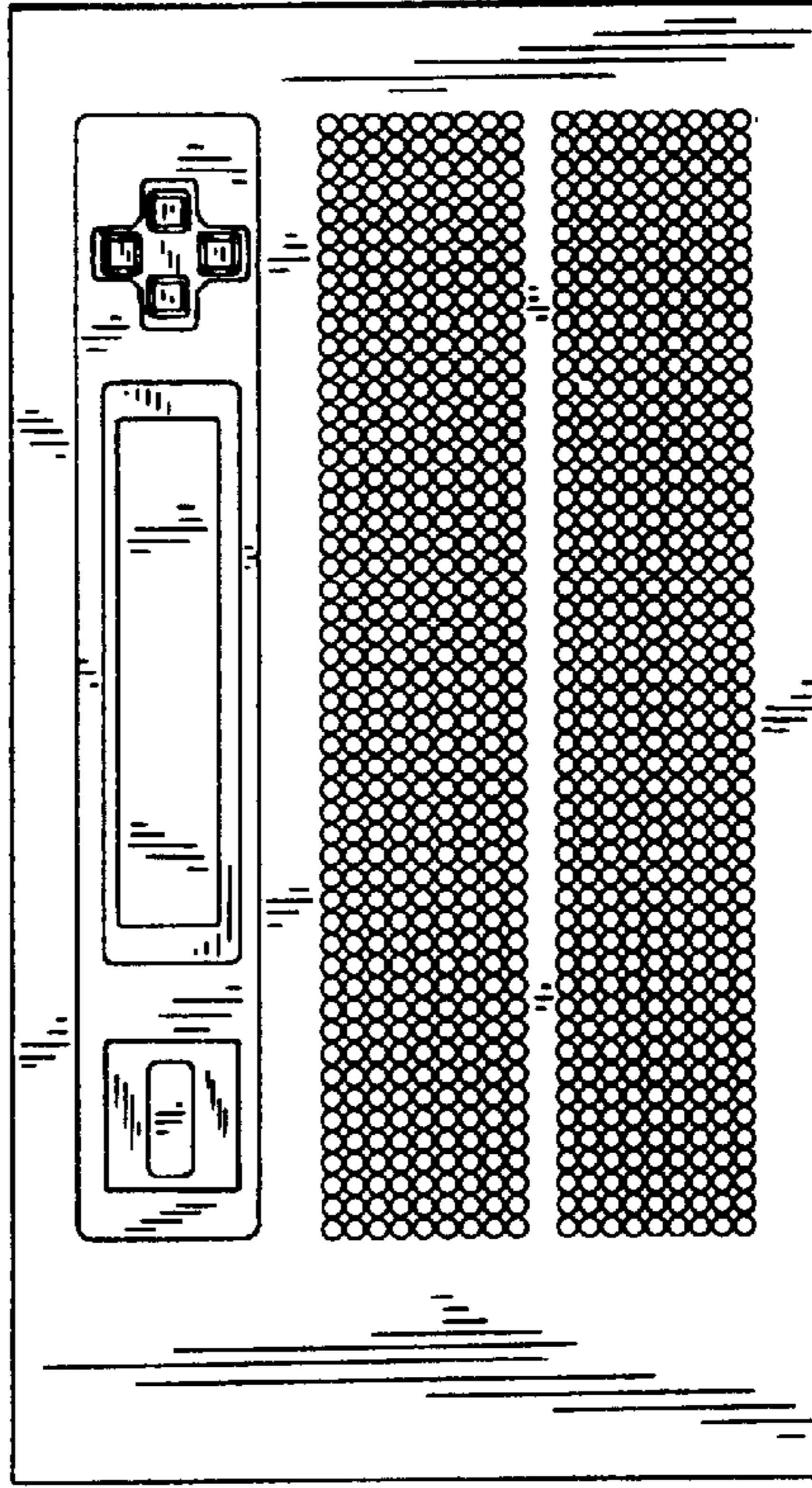


FIG. 3

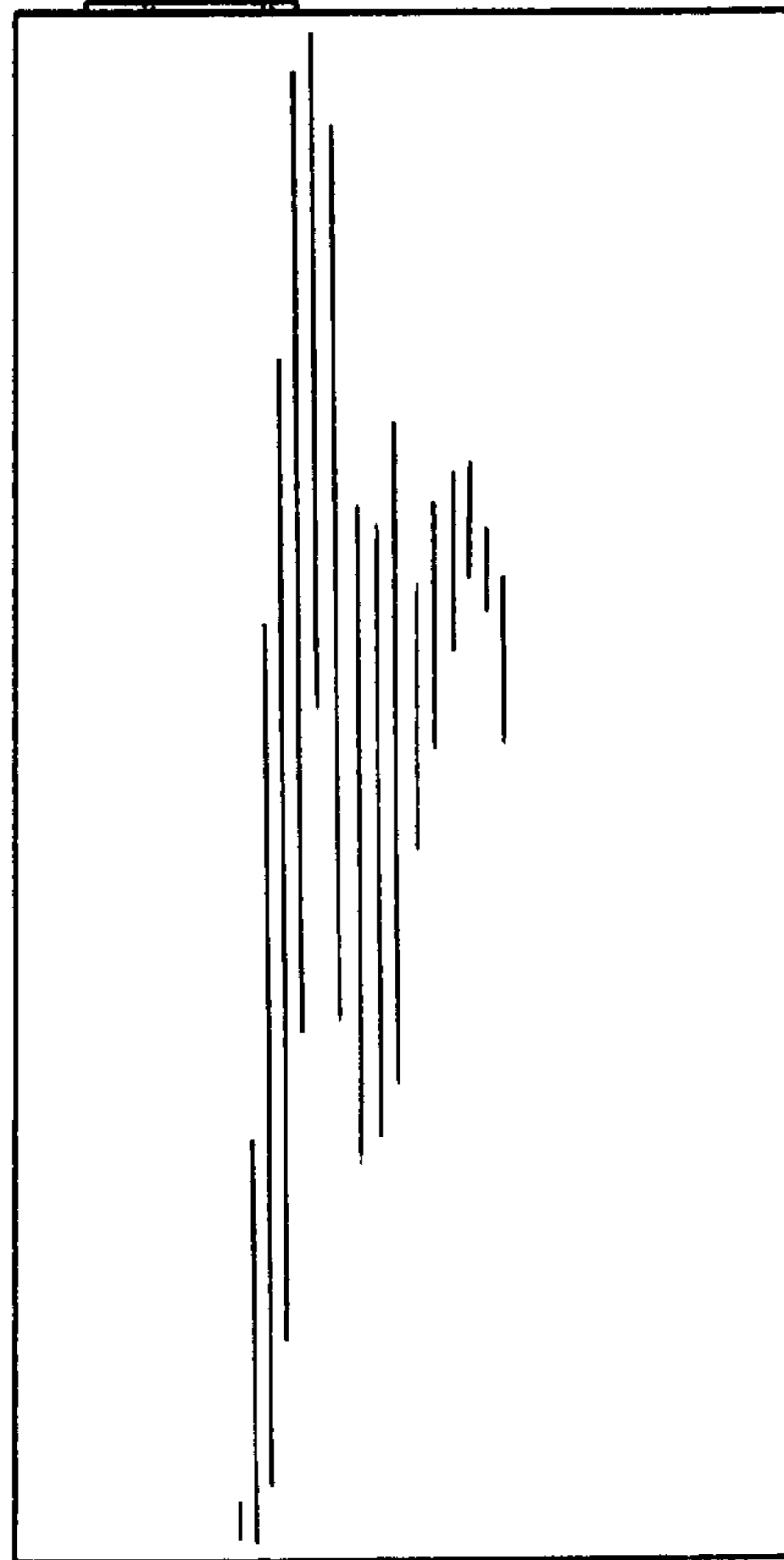


FIG. 5

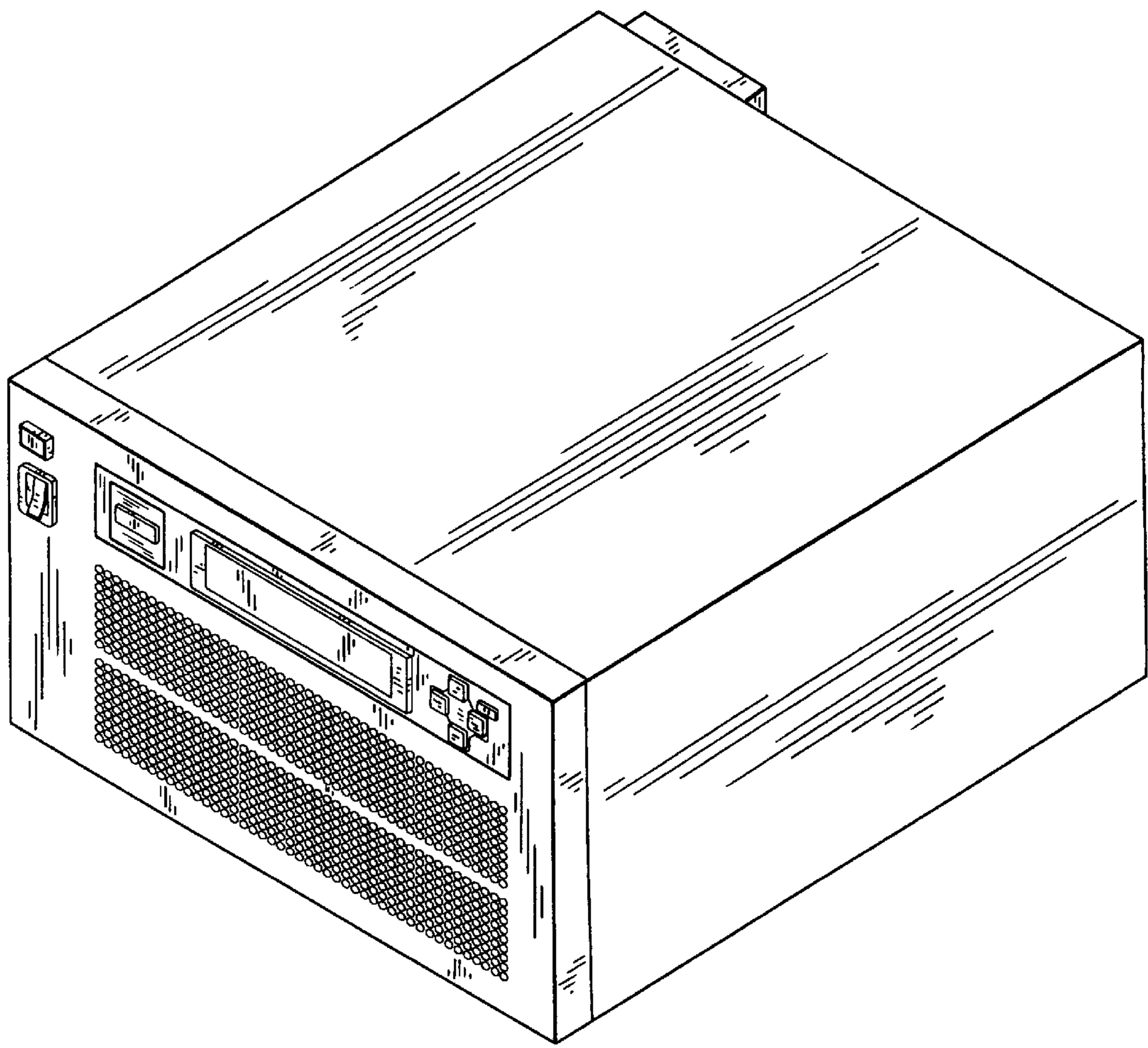


FIG. 9

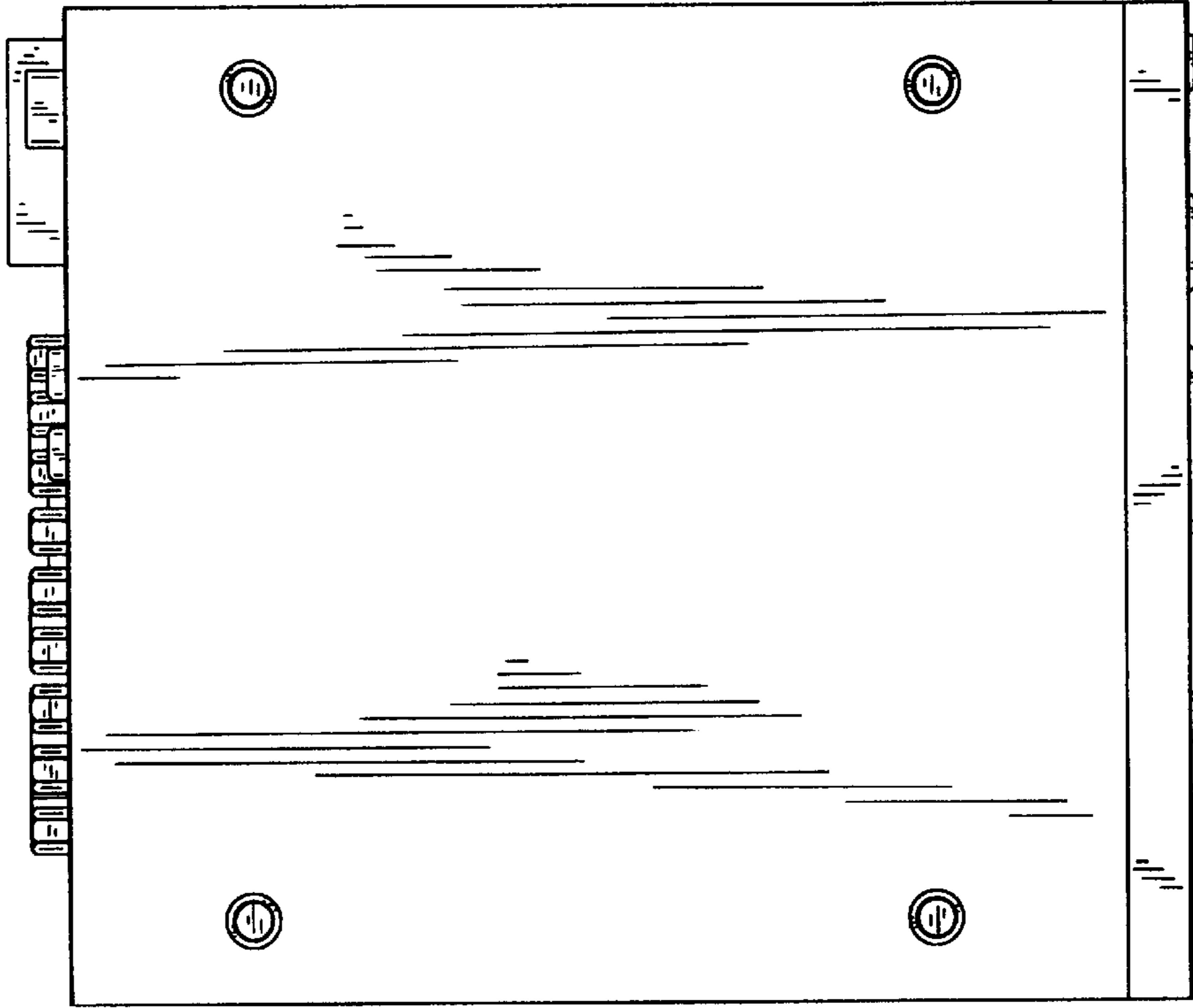


FIG. 6

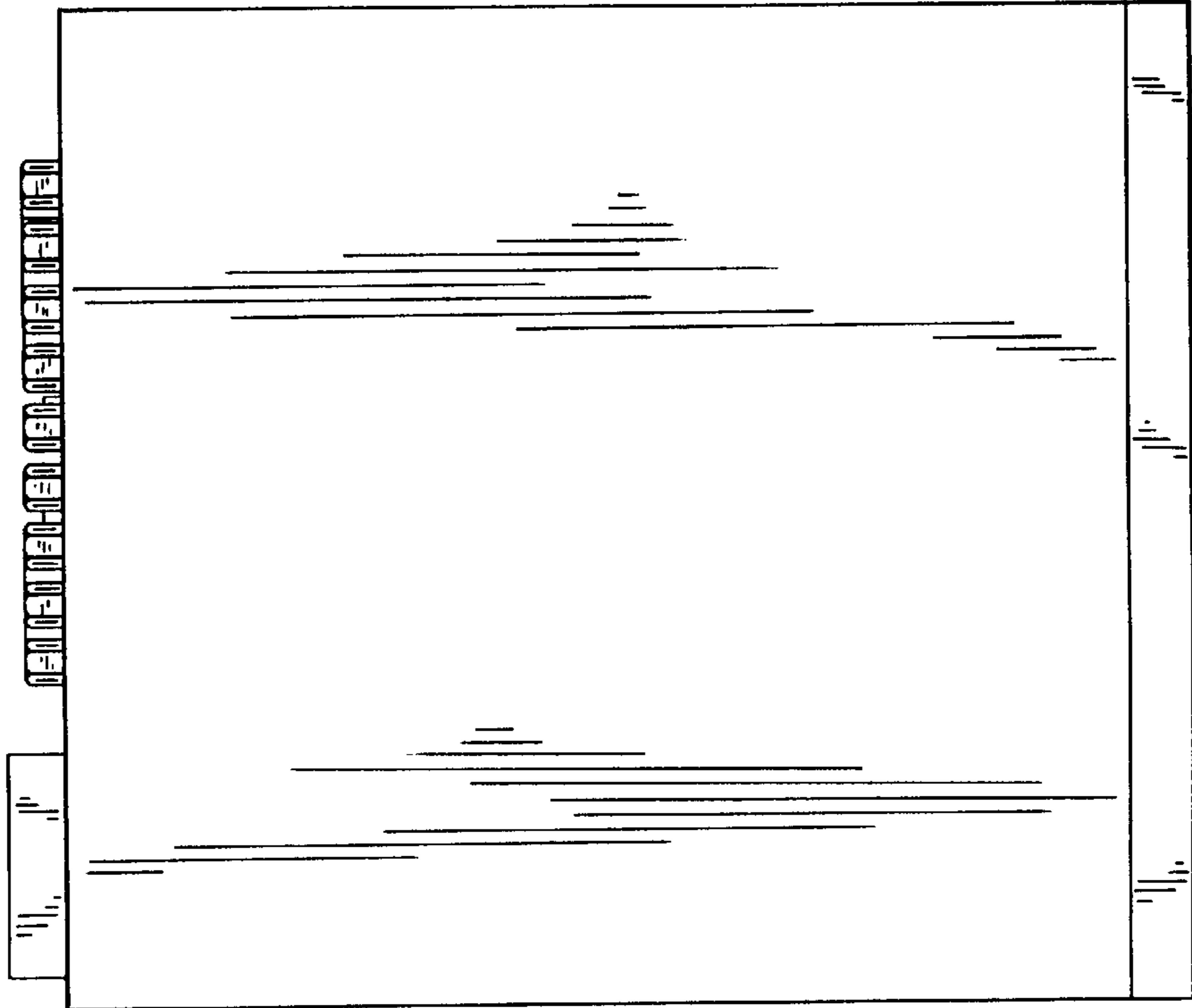


FIG. 7

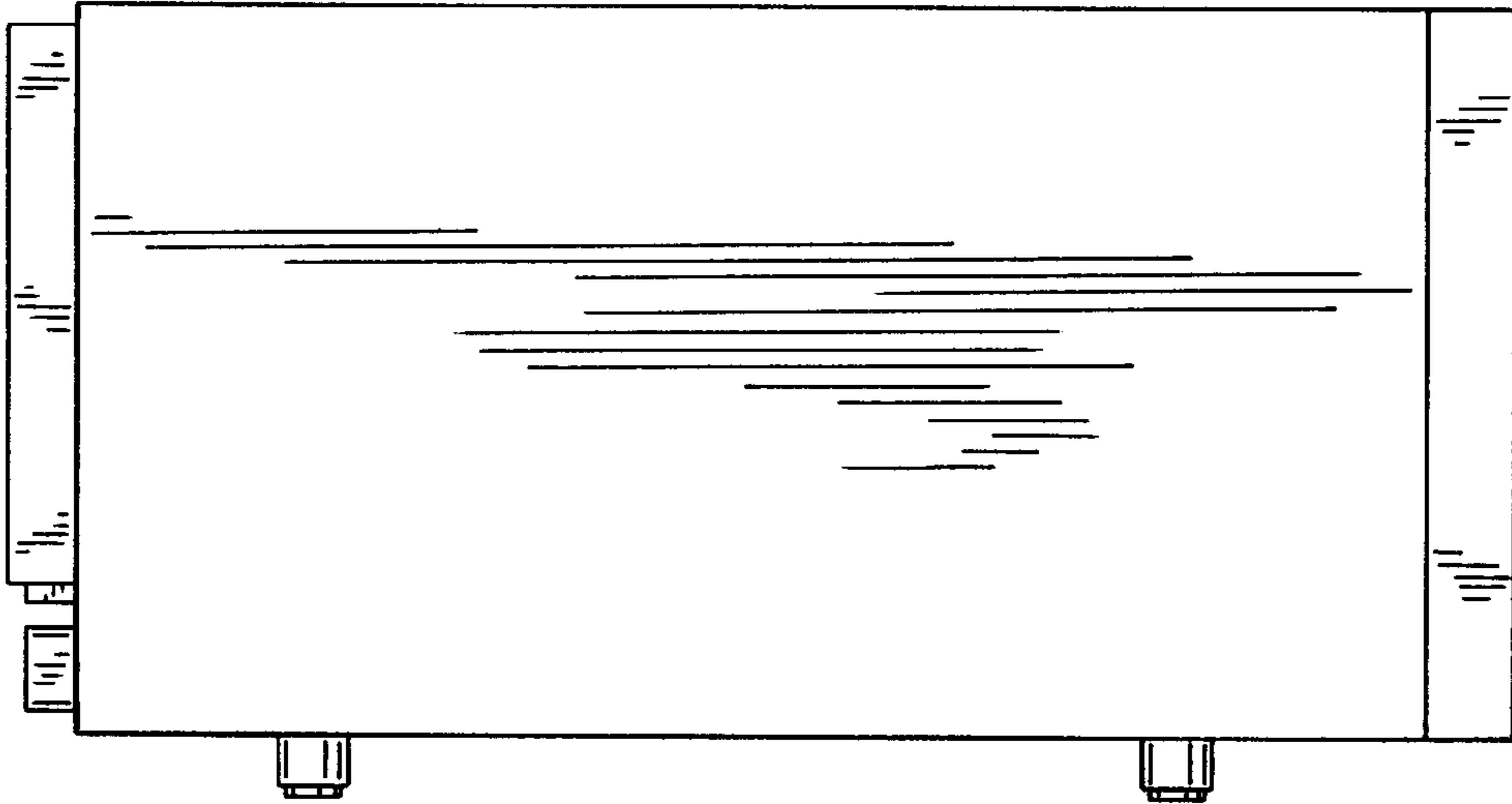


FIG. 10

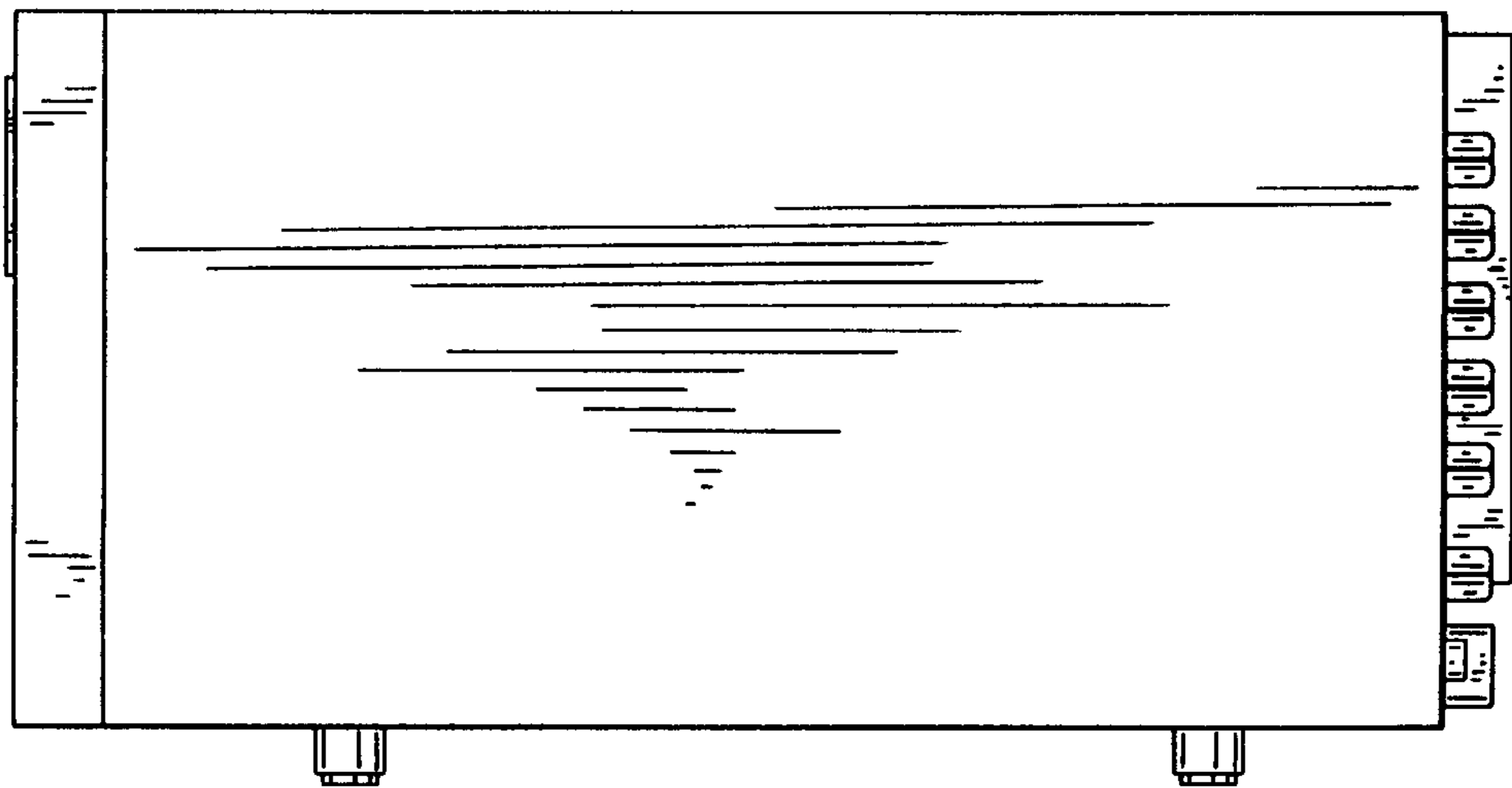


FIG. 8

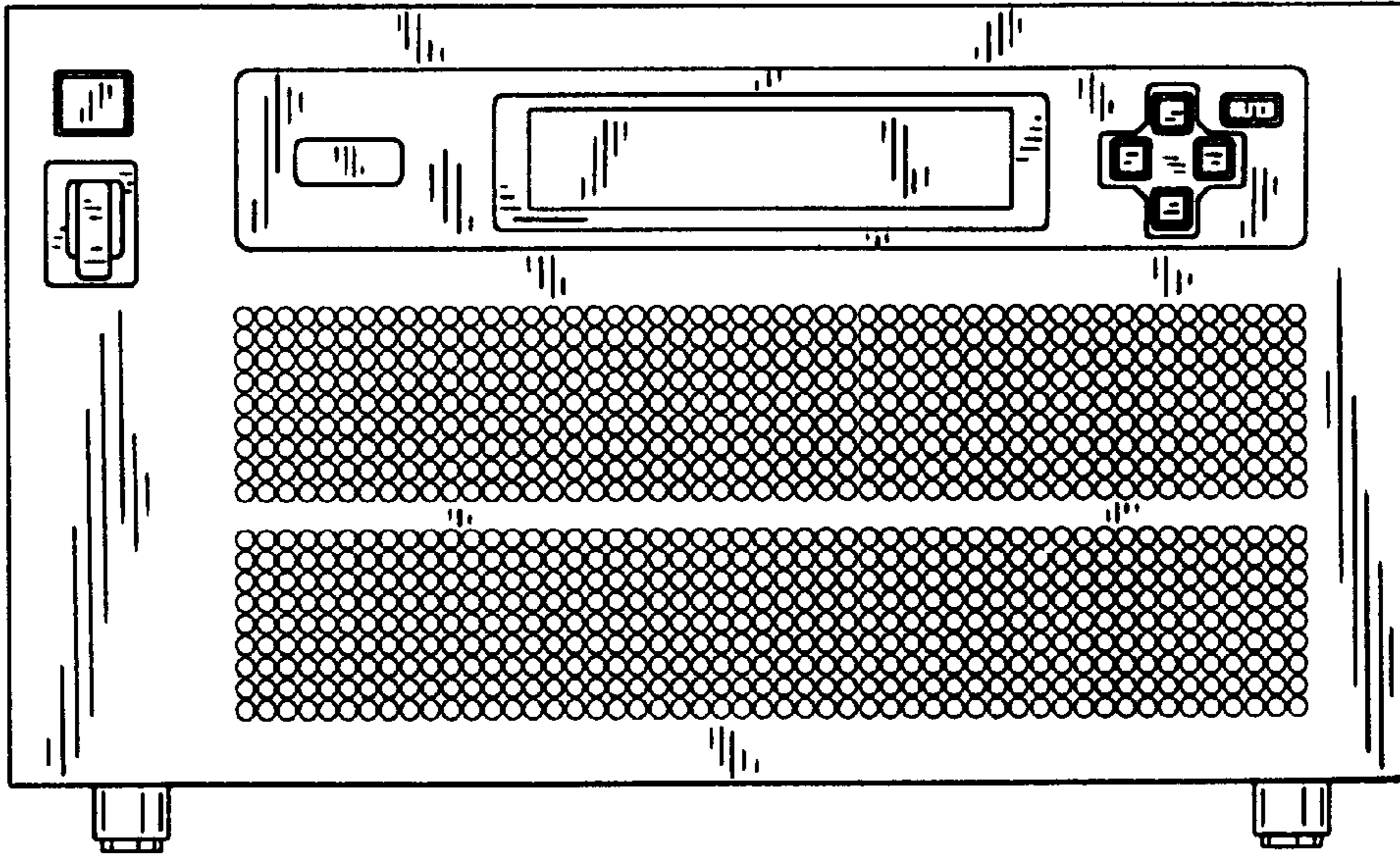


FIG. 11

