



US00D417193S

United States Patent [19]

[11] **Patent Number: Des. 417,193**

Itaya et al.

[45] **Date of Patent: ** *Nov. 30, 1999**

[54] **BASE FOR FLUORESCENT LAMP**

3,510,826	5/1970	Soltan	439/229
4,163,170	7/1979	Vangils	313/318.02 X
5,204,580	4/1993	Baba et al.	313/318.02 X

[75] Inventors: **Kenji Itaya; Akio Kitada**, both of Osaka, Japan

OTHER PUBLICATIONS

[73] Assignee: **Matsushita Electronics Corporation and Matsushita Electric Works, Ltd.**, Japan

Japanese Utility Model Publication No. 52-125382 published on Sep. 22, 1977.

[*] Notice: This patent is subject to a terminal disclaimer.

Primary Examiner—Joel Sincavage
Attorney, Agent, or Firm—Saidman DesignLaw Group

[**] Term: **14 Years**

[57] CLAIM

[21] Appl. No.: **29/072,704**

The ornamental design for a base for fluorescent lamp, as shown and described.

[22] Filed: **Jun. 23, 1997**

DESCRIPTION

[30] Foreign Application Priority Data

Dec. 26, 1996 [JP] Japan 8-39680

FIG. 1 is a perspective view of the top, front and right side of a base for fluorescent lamp showing our new design; FIG. 2 is a top plan view thereof; FIG. 3 is a front view thereof; FIG. 4 is a right side view thereof; FIG. 5 is a left side view thereof; FIG. 6 is a rear view thereof; FIG. 7 is a bottom view thereof; and, FIG. 8 is a reference view of usage thereof.

[51] **LOC (6) Cl.** **13-03**

[52] **U.S. Cl.** **D13/136**

[58] **Field of Search** D13/134, 136; D26/79; 362/226; 313/51, 318.02, 318.05; 439/216, 227, 228, 229, 612

The broken line showing of the lamps in FIG. 8 is included for the purpose of illustrating environmental structure only and forms no part of the claimed design.

[56] References Cited

U.S. PATENT DOCUMENTS

3,292,097 12/1966 Gaynor 439/229

1 Claim, 4 Drawing Sheets

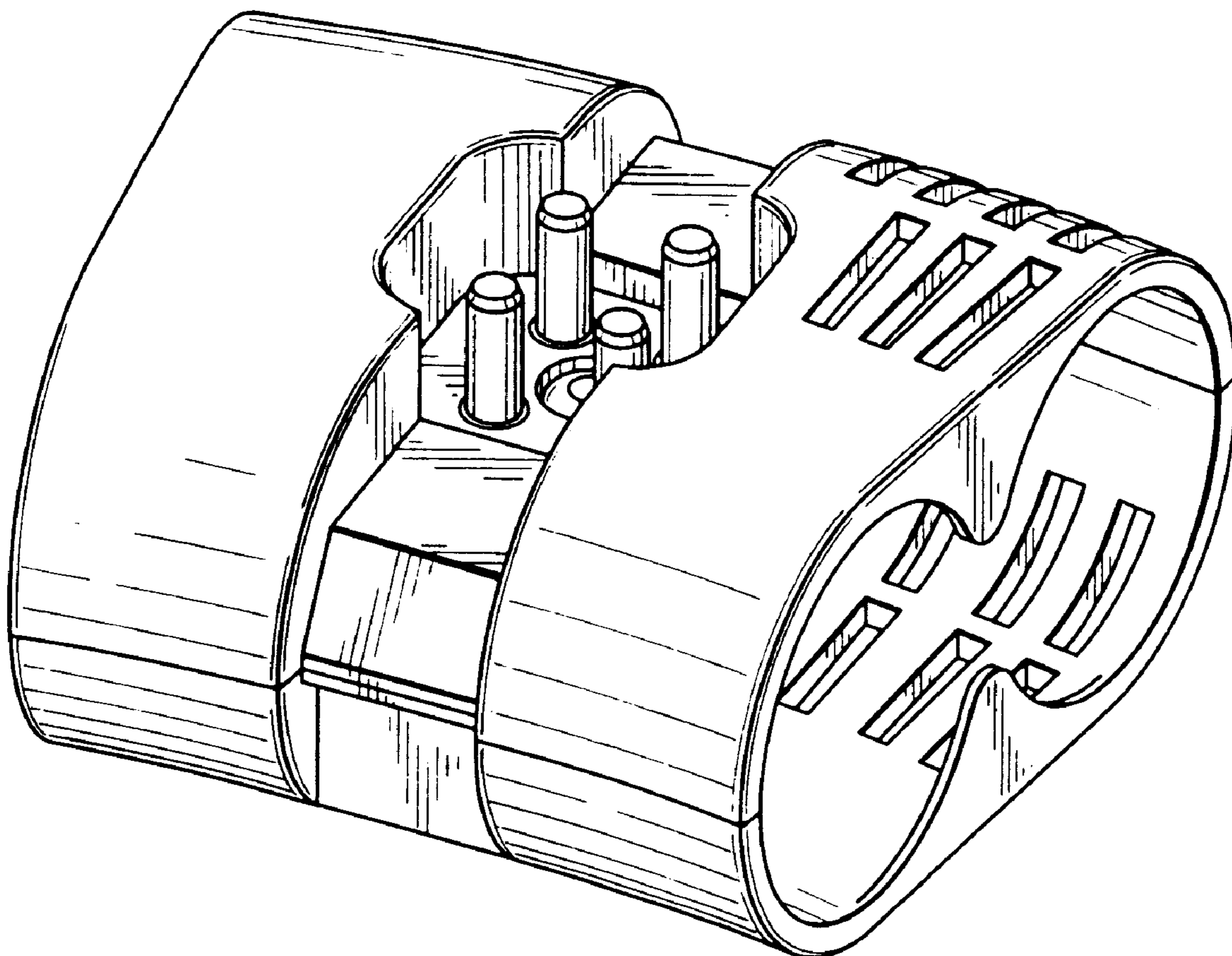


FIG. 1

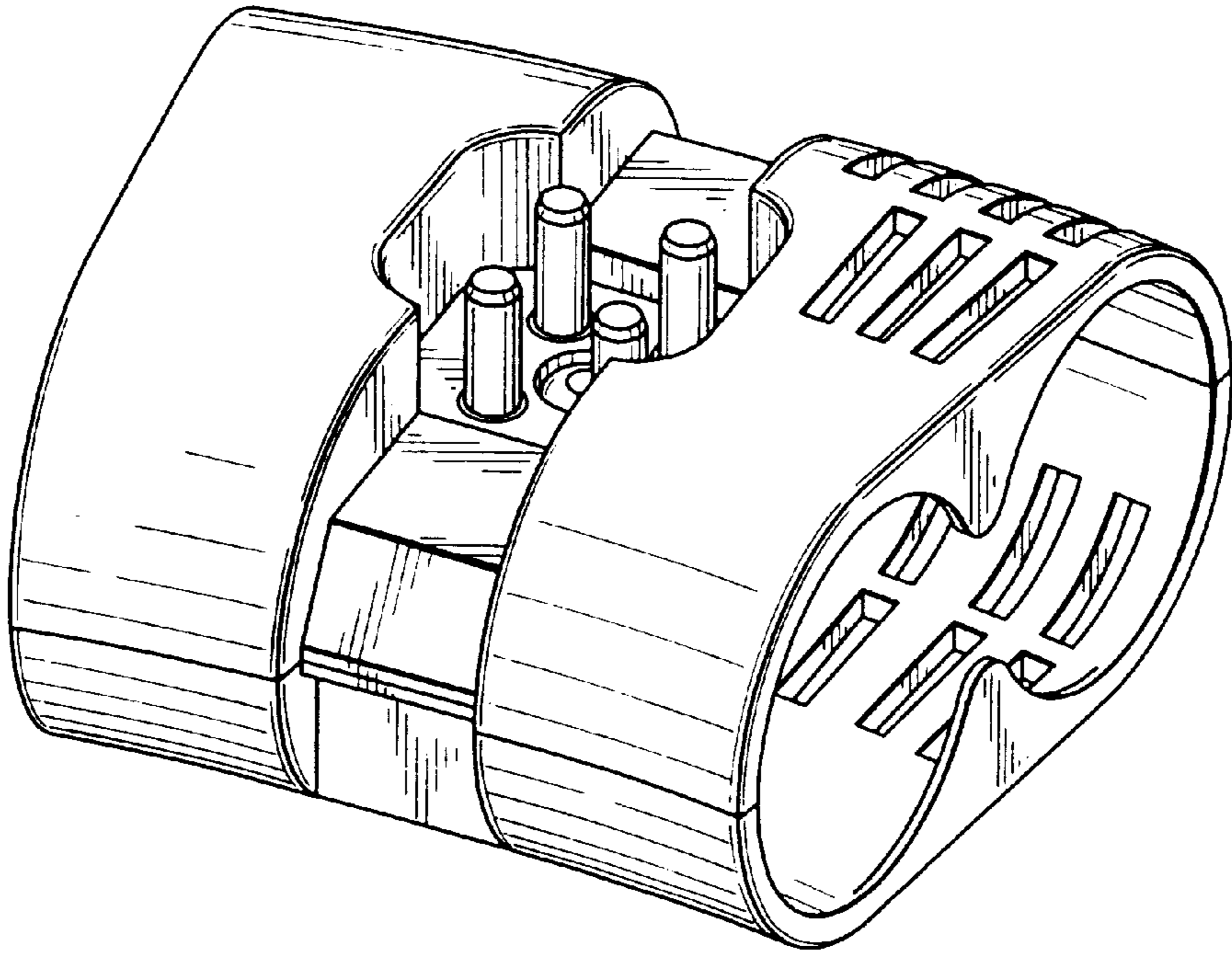


FIG. 2

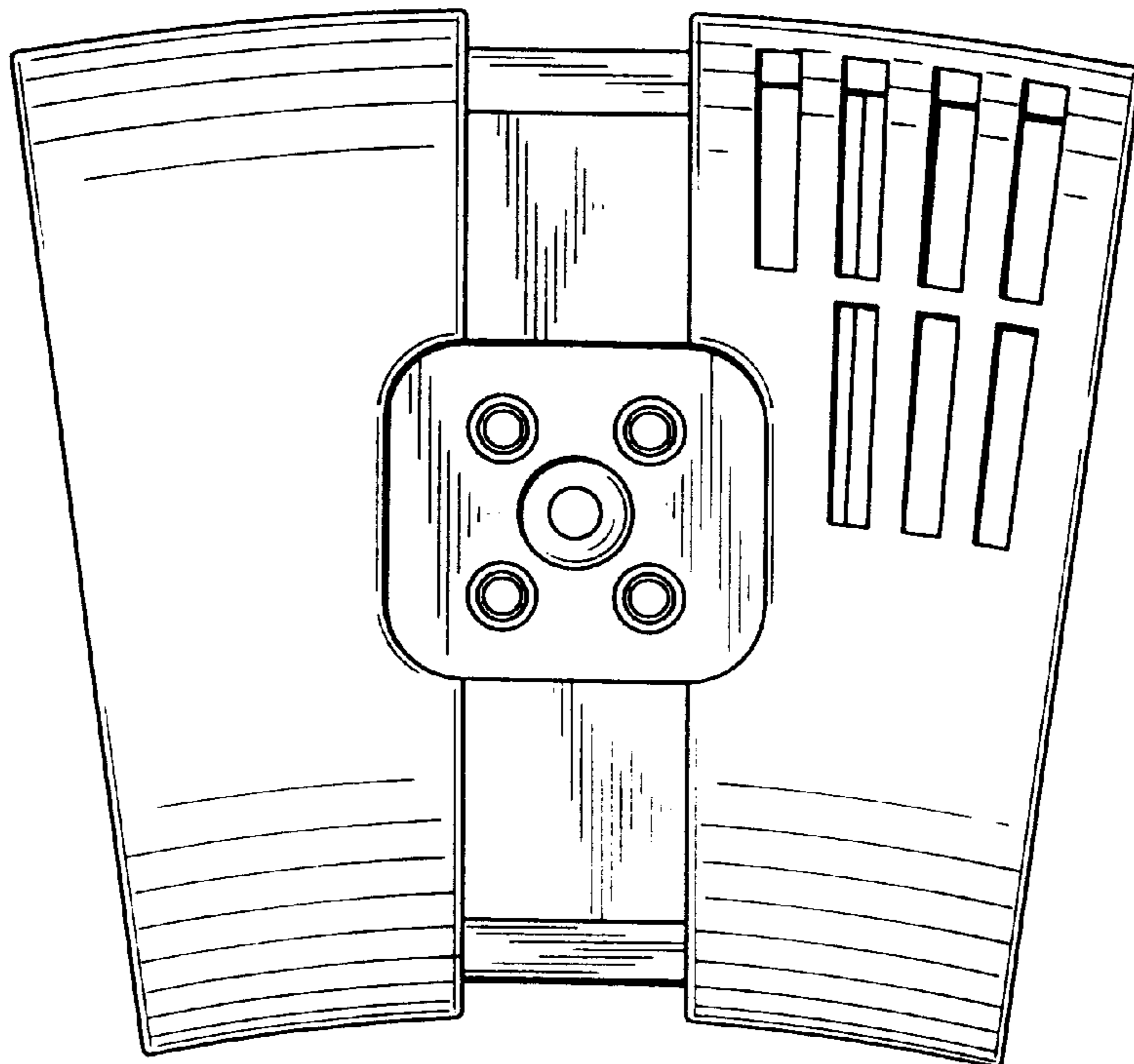


FIG. 3

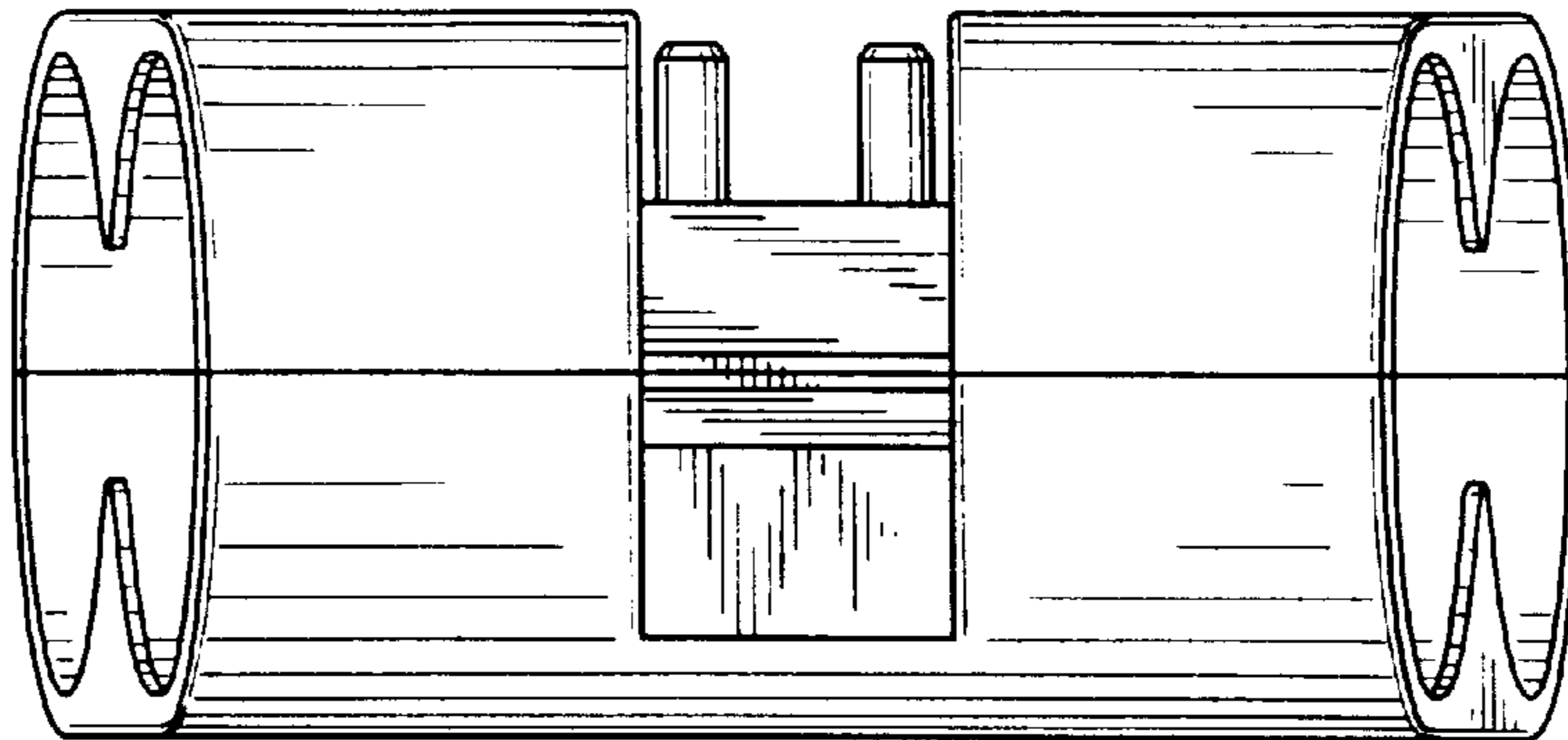


FIG. 4

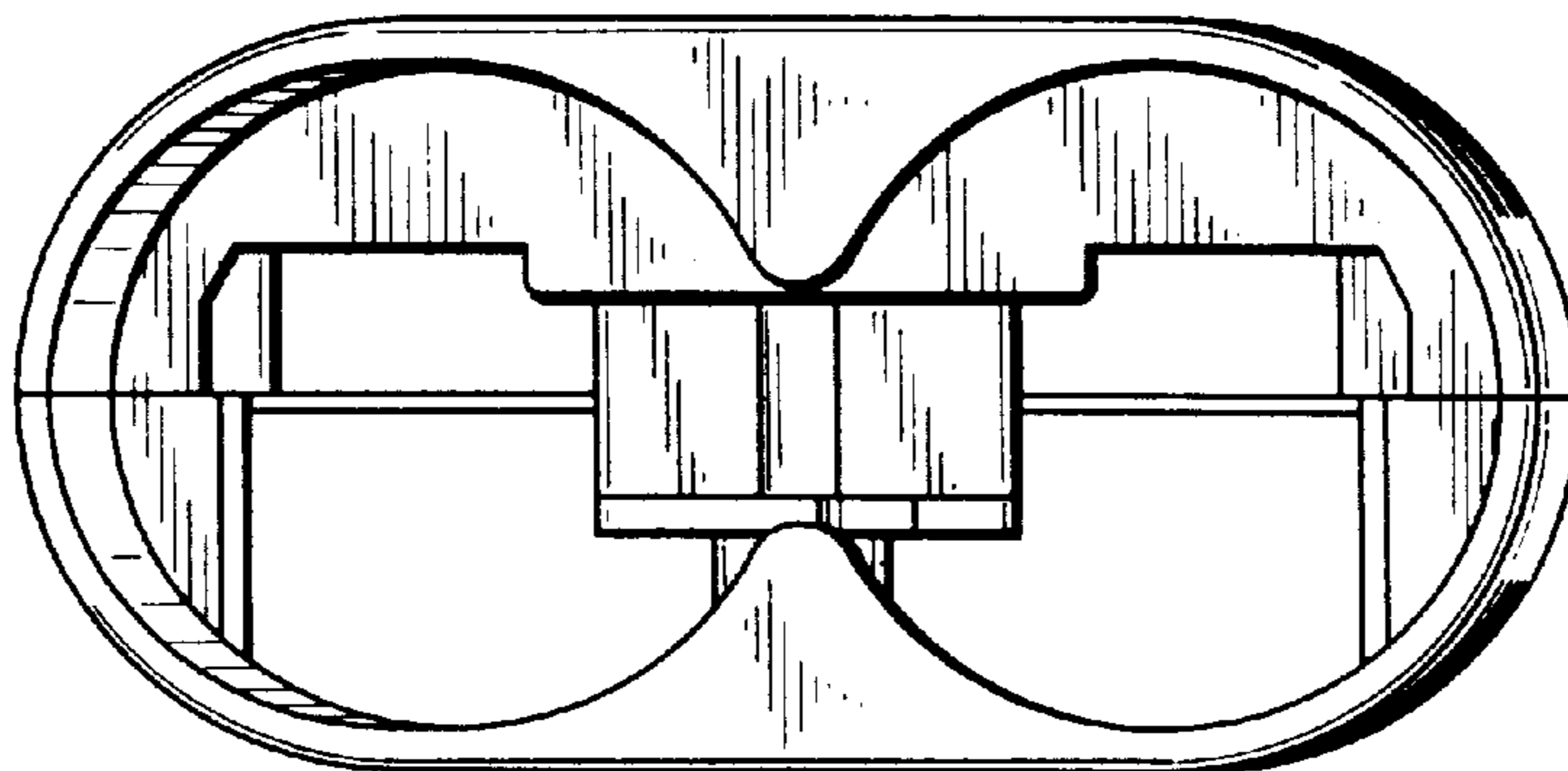


FIG. 5

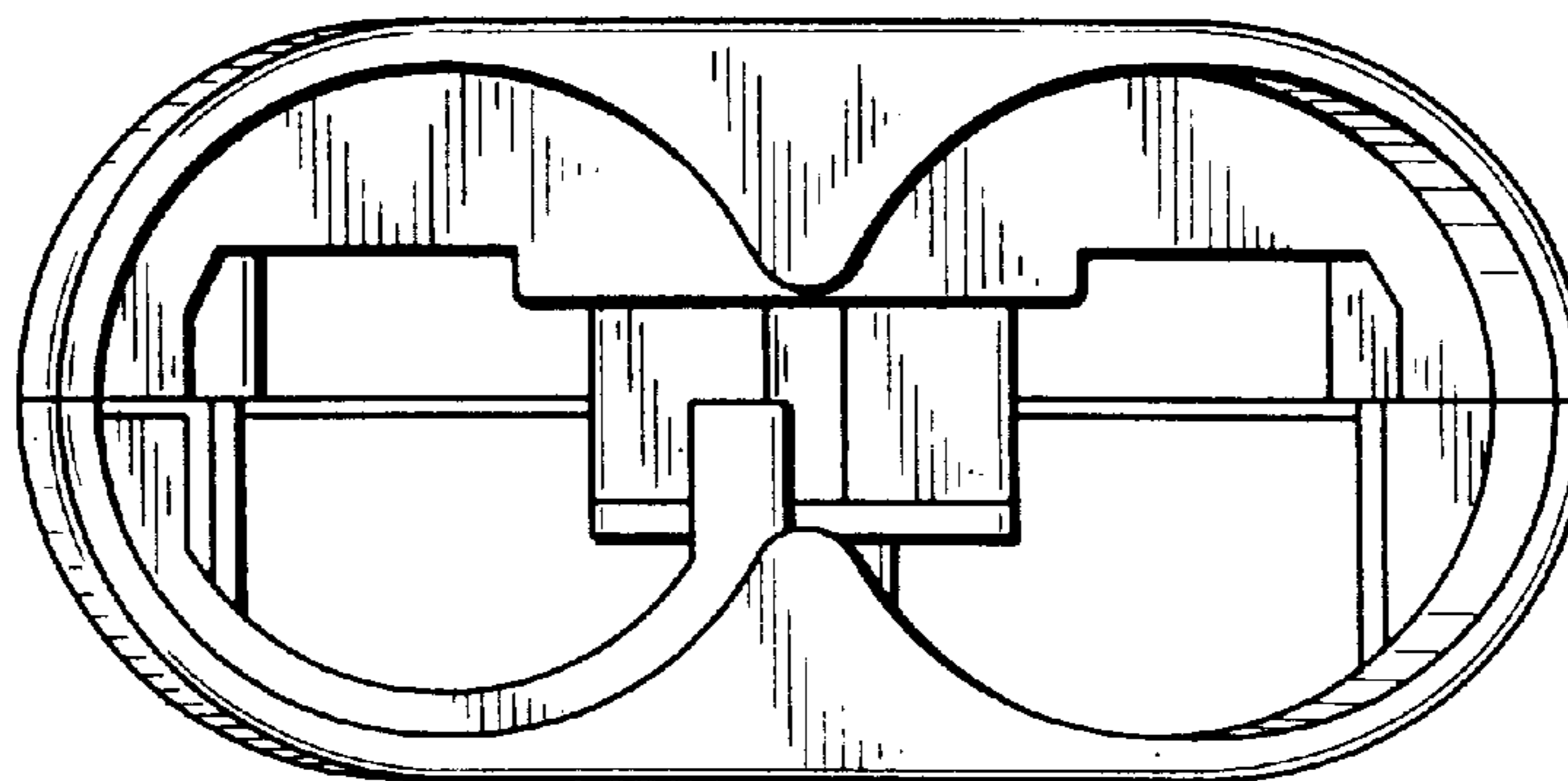


FIG. 6

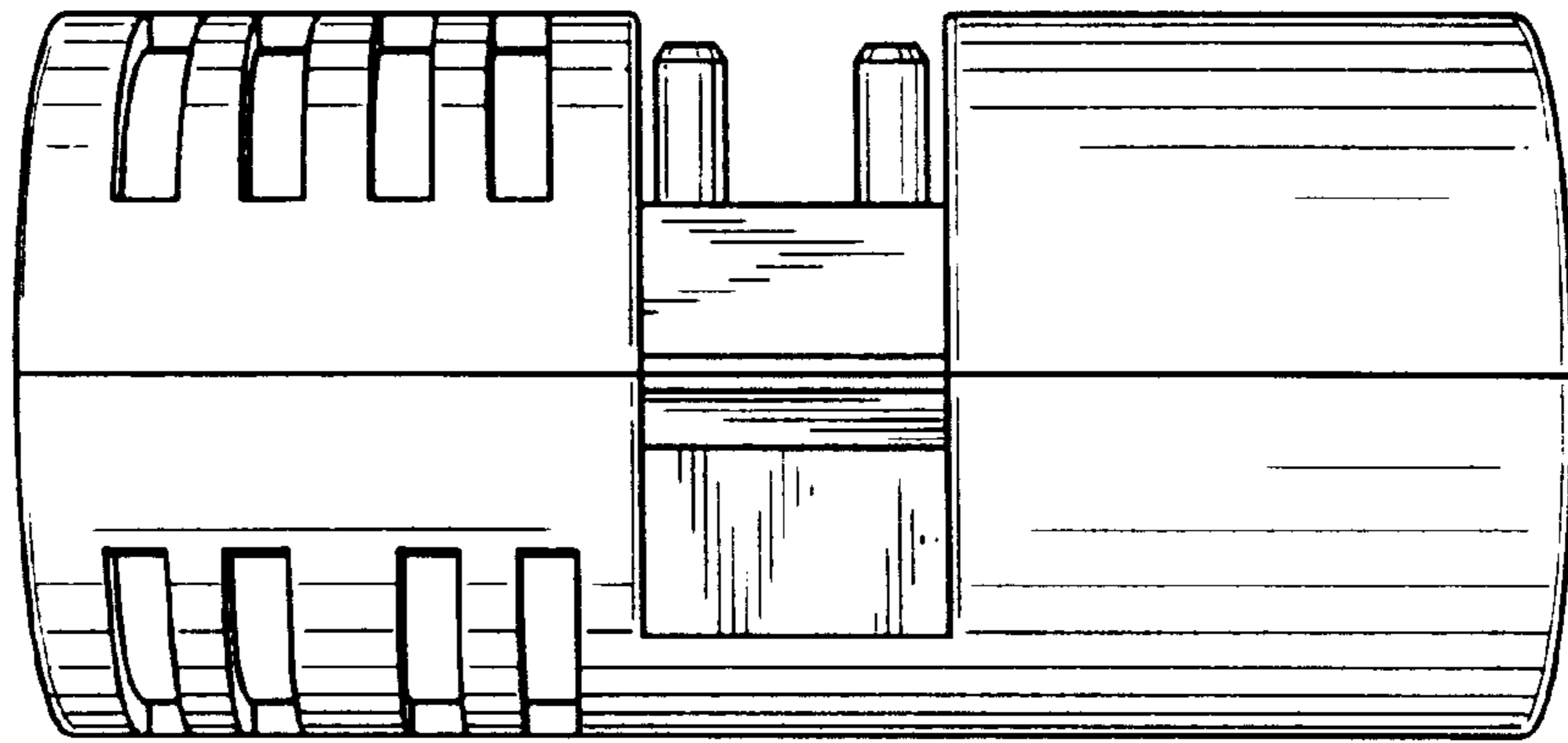


FIG. 7

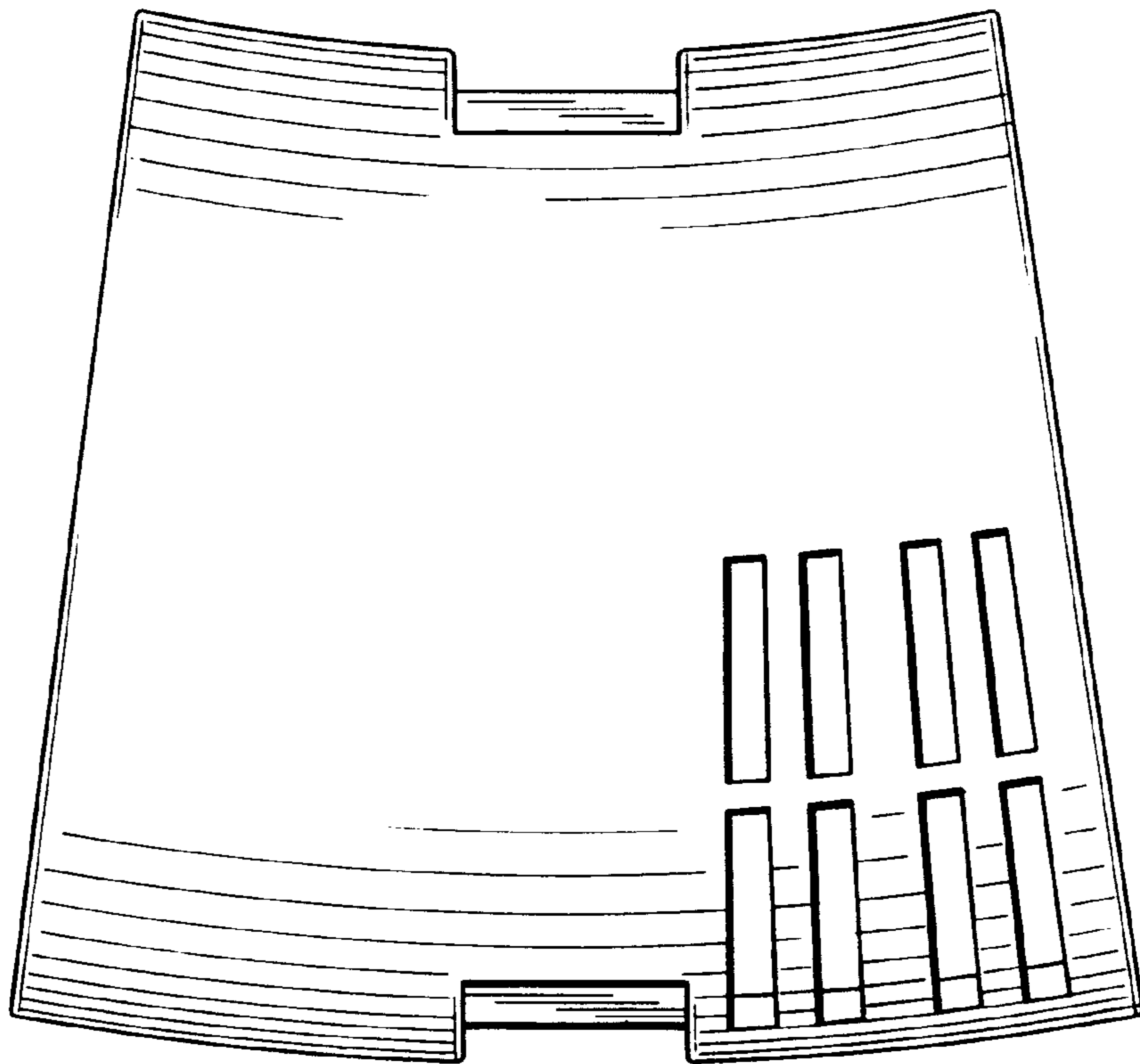


FIG. 8

