



US00D417191S

United States Patent [19] Giamati

[11] **Patent Number: Des. 417,191**

[45] **Date of Patent: ** Nov. 30, 1999**

[54] **HEAVY DUTY BRUSH ASSEMBLY HOUSING WITH AN INTEGRAL ATTACHMENT LEG**

[75] Inventor: **Michael J. Giamati**, Akron, Ohio

[73] Assignee: **The B.F. Goodrich Company**, Richfield, Ohio

[**] Term: **14 Years**

[21] Appl. No.: **29/022,106**

[22] Filed: **Apr. 29, 1994**

[51] **LOC (6) Cl.** **13-01**

[52] **U.S. Cl.** **D13/122**

[58] **Field of Search** D13/118, 133,
D13/154, 122; 310/232, 239-246, 248,
249

[56] **References Cited**

U.S. PATENT DOCUMENTS

1,251,827	1/1918	Schweitzer	310/239
1,292,660	1/1919	Starker	310/246
2,724,066	11/1955	Harter	310/239
3,656,018	4/1972	Maher	310/242
4,136,295	1/1979	Sweet	310/239

Primary Examiner—Alan P. Douglas
Assistant Examiner—Lavone D. Tabor

Attorney, Agent, or Firm—Kevin L. Leffel

[57] **CLAIM**

The ornamental design for a heavy duty brush assembly housing with an integral attachment leg, as shown and described.

DESCRIPTION

FIG. 1 is a perspective view from the underside of the brush assembly housing showing my new design.

FIG. 2 is a perspective view from the top of the brush assembly housing showing my new design.

FIG. 3 is a bottom plan view.

FIG. 4 is a rear elevation.

FIG. 5 is a front elevation.

FIG. 6 is a side elevation taken from the right of FIG. 3.

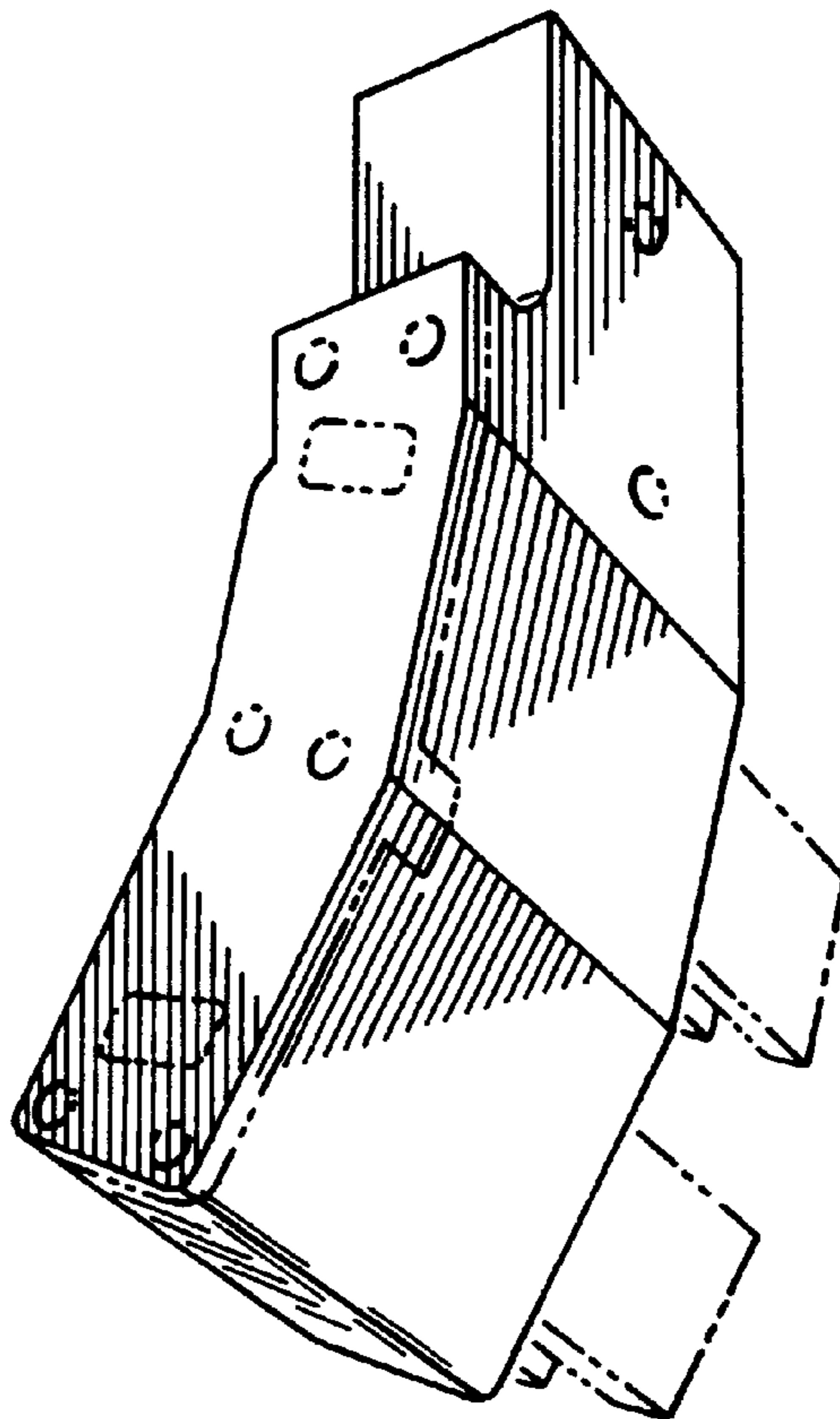
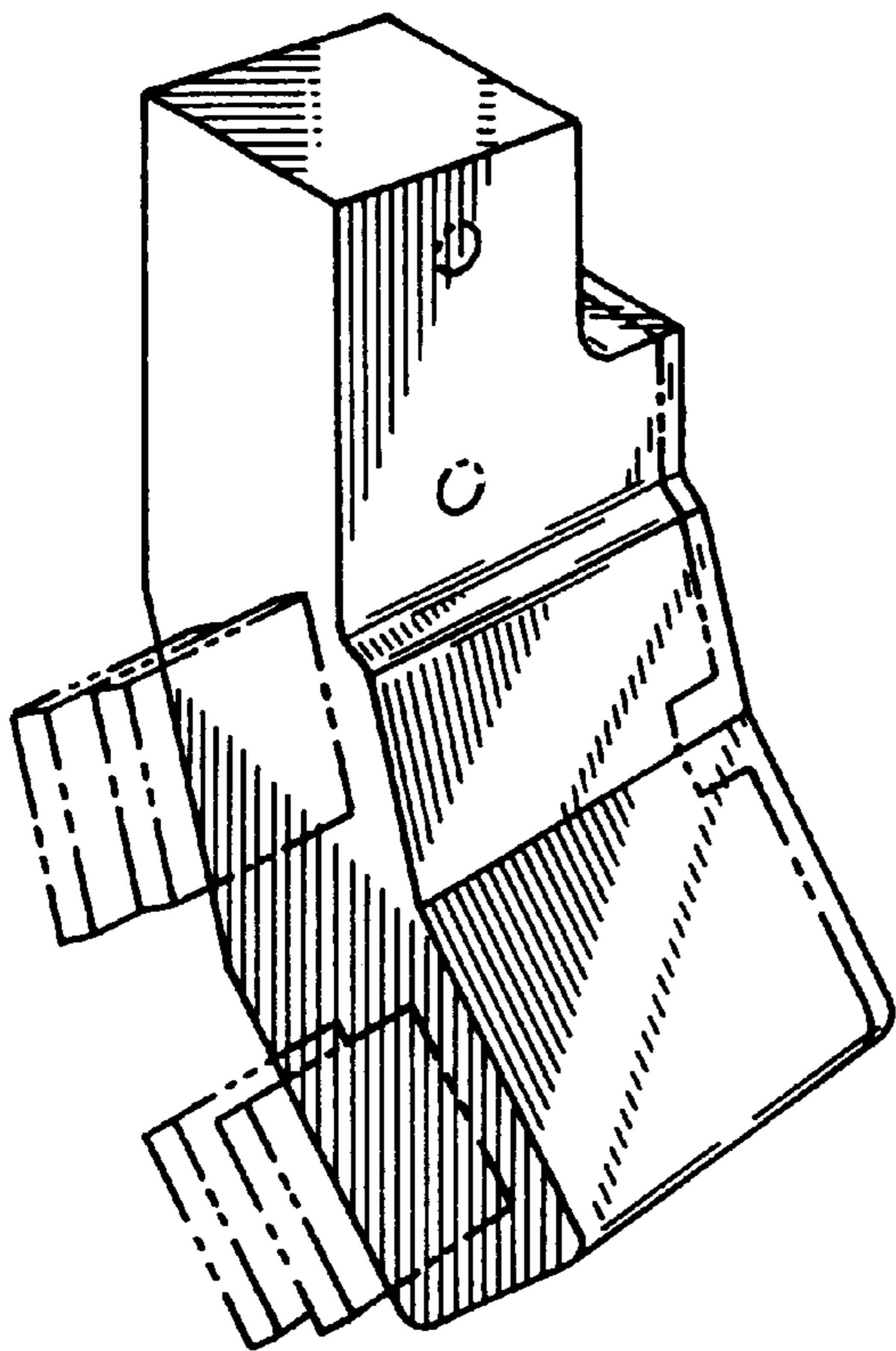
FIG. 7 is a top plan view; and,

FIG. 8 is a side elevation taken from the right of FIG. 7.

Environmental structure is represented by broken lines in FIGS. 1 through 8 and is not claimed as part of my ornamental design.

The nature of the article is a brush assembly housing and the intended use is to receive and position a plurality of electrically conductive brushes in contact with a plurality of slip rings thereby forming a plurality of sliding contacts.

1 Claim, 3 Drawing Sheets



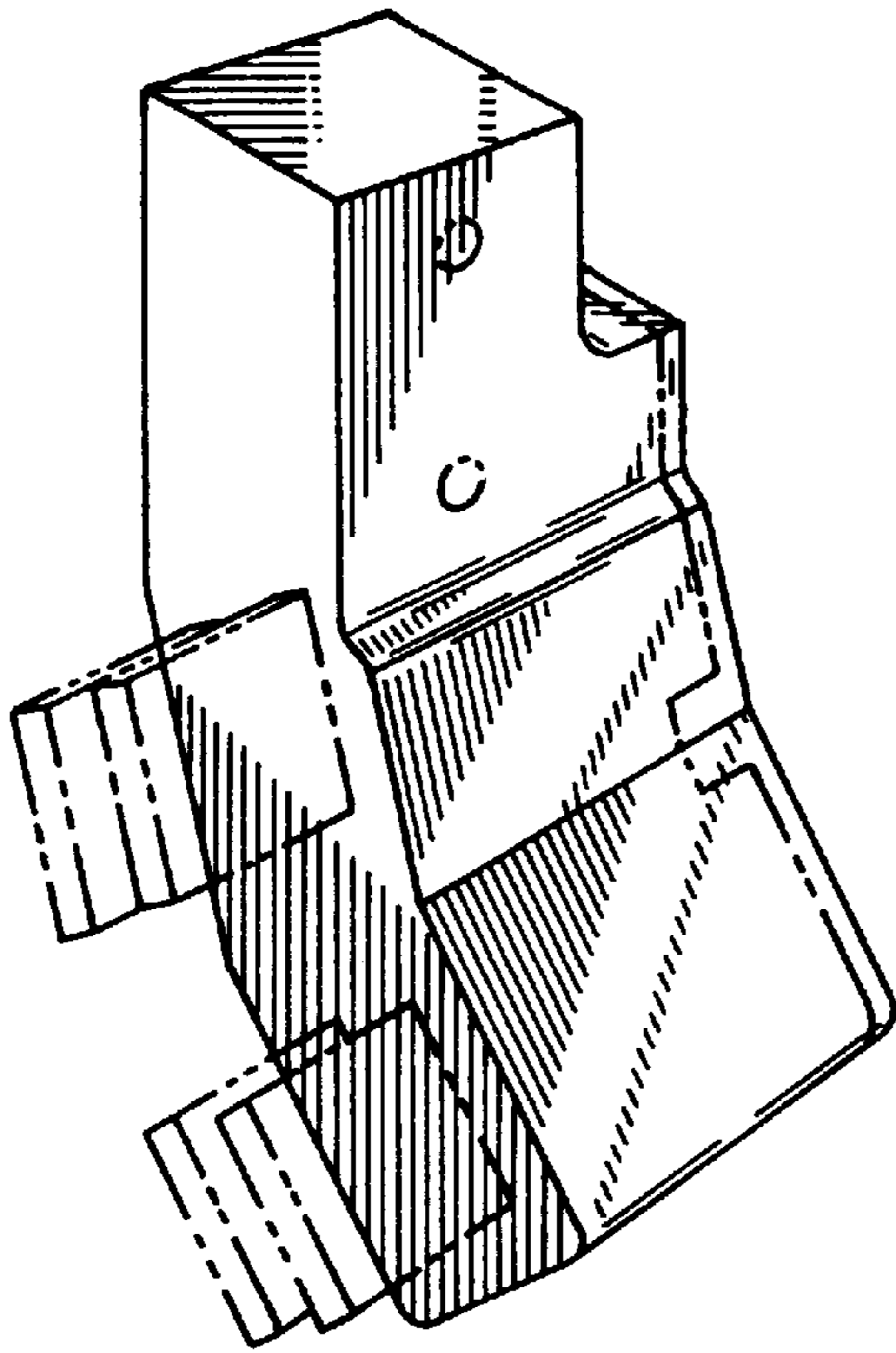


FIG. 1

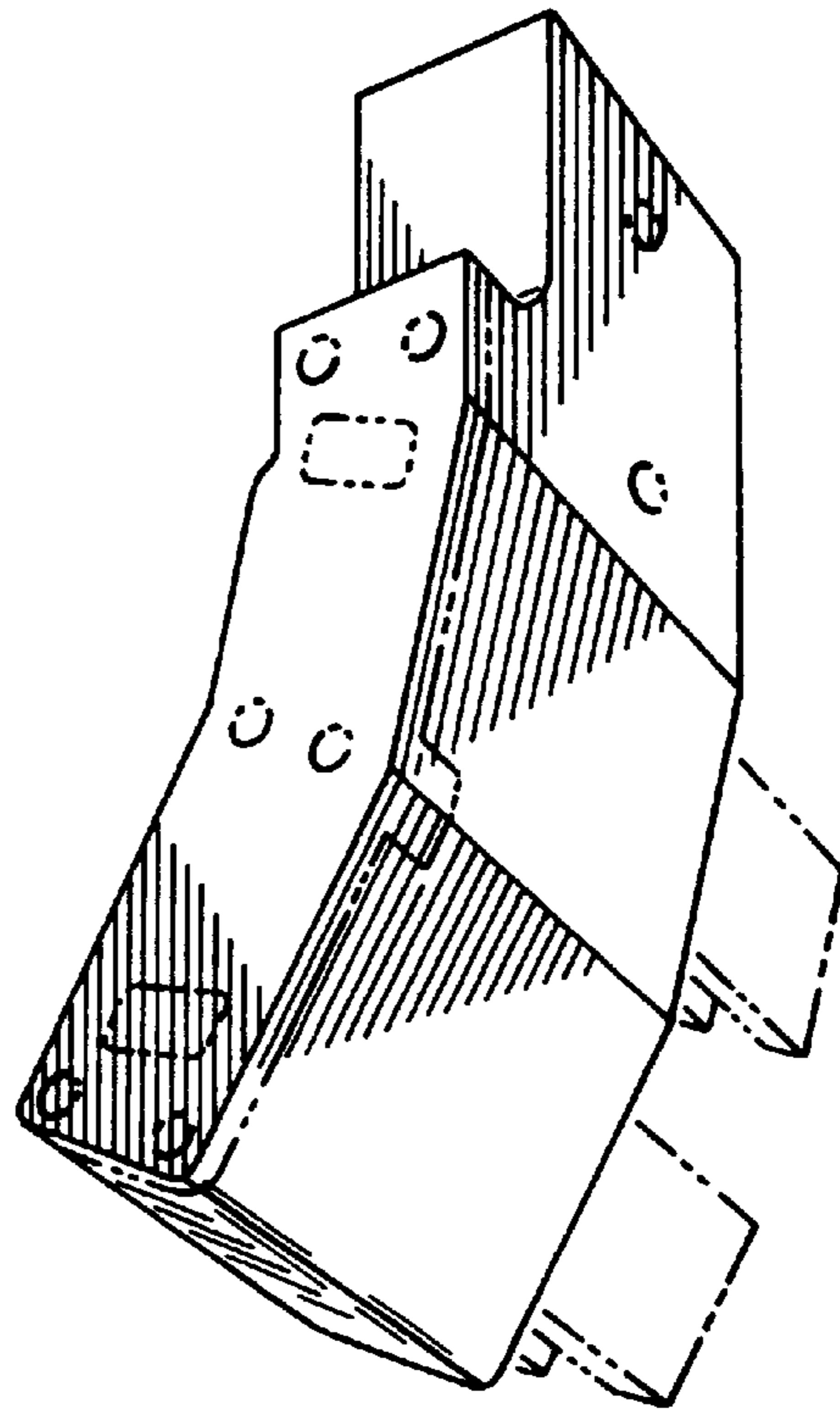


FIG. 2

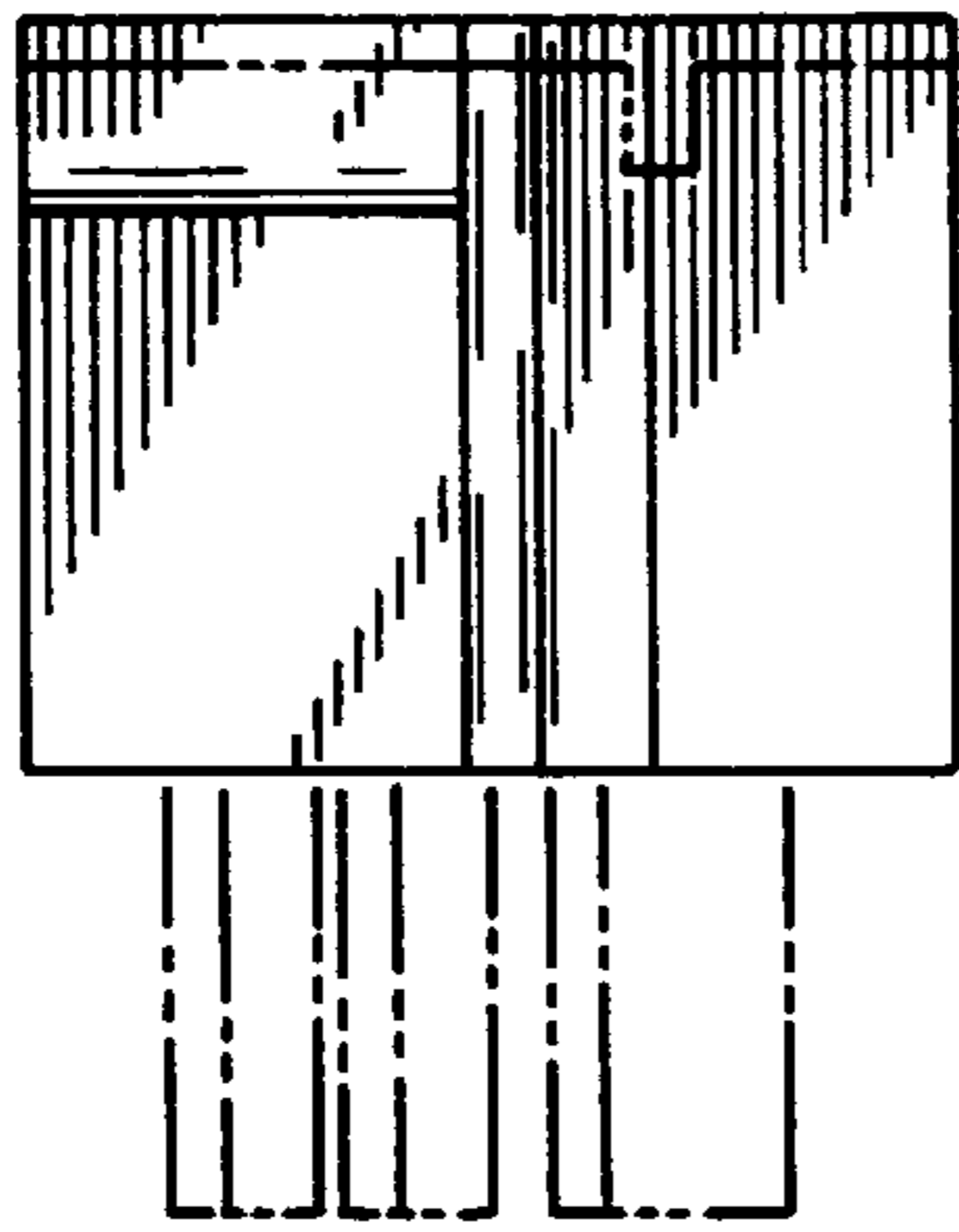


FIG. 4

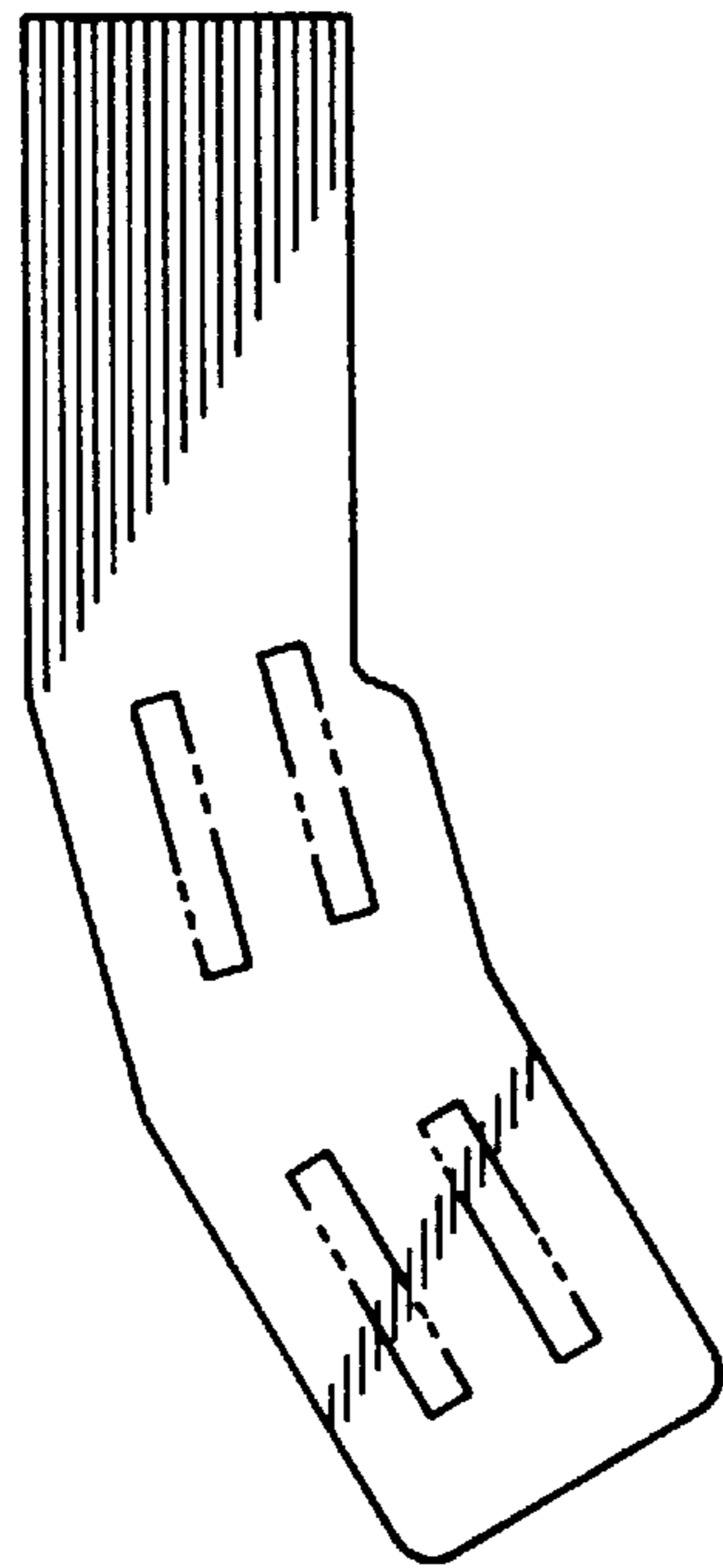


FIG. 3

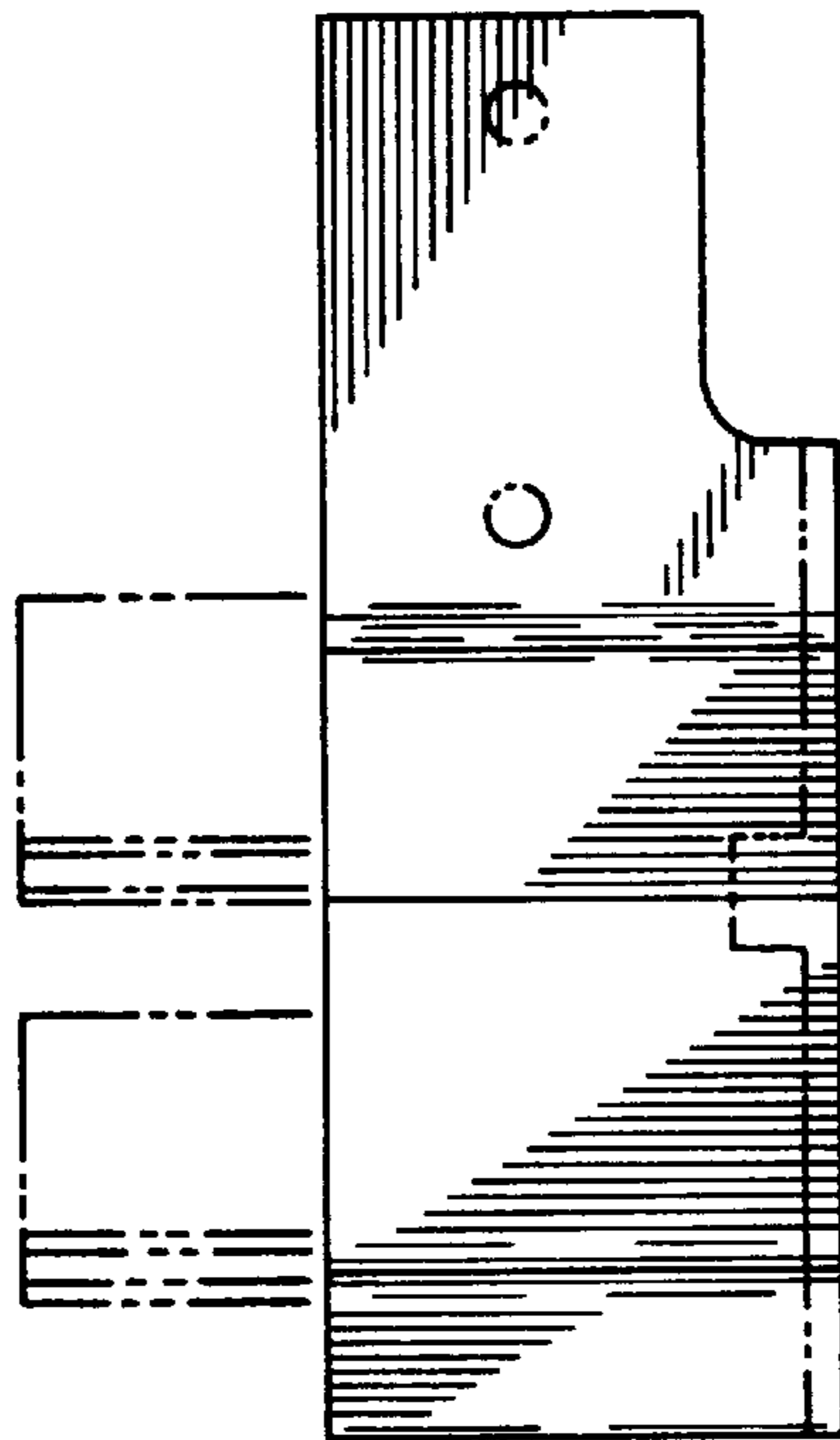


FIG. 6

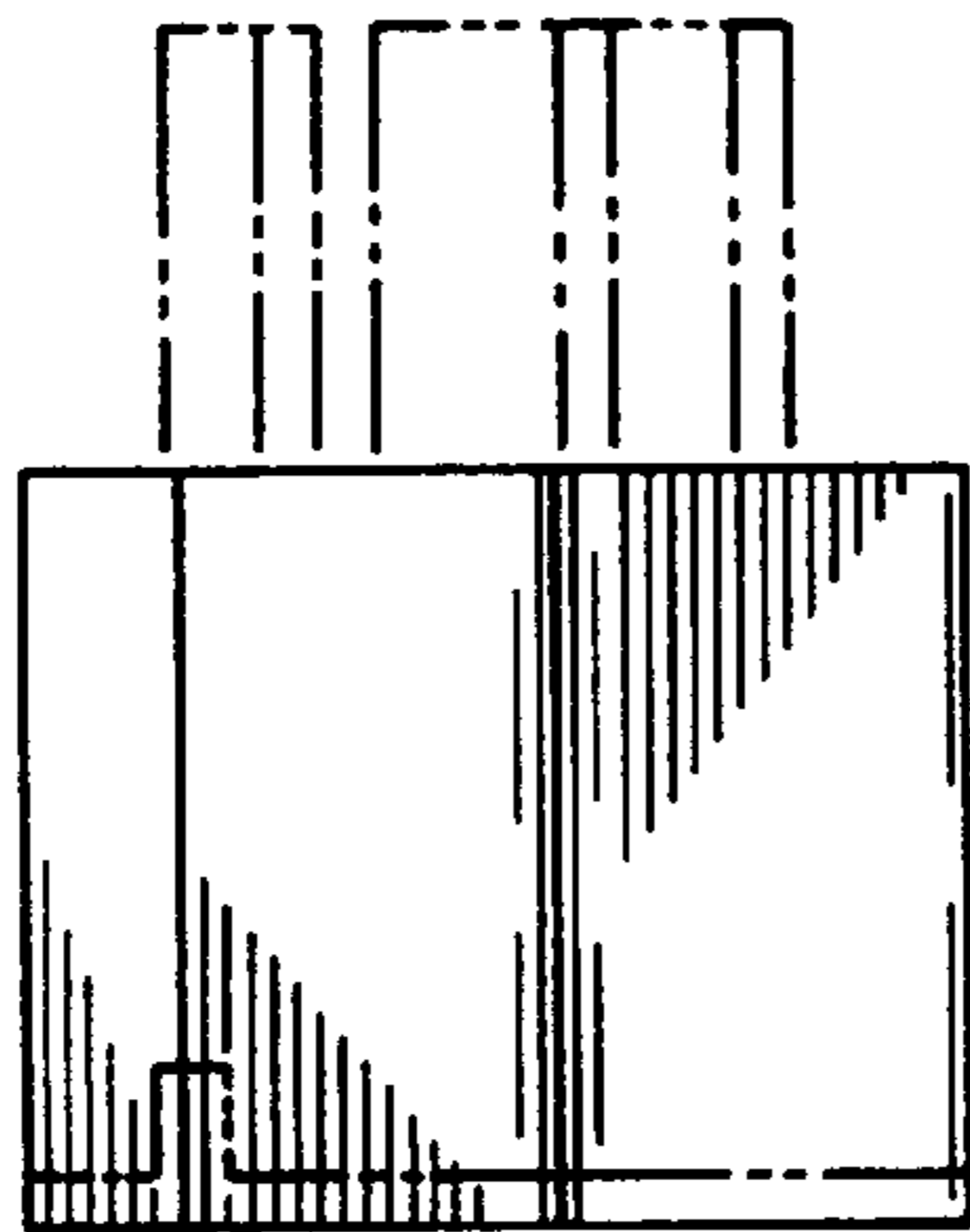


FIG. 5

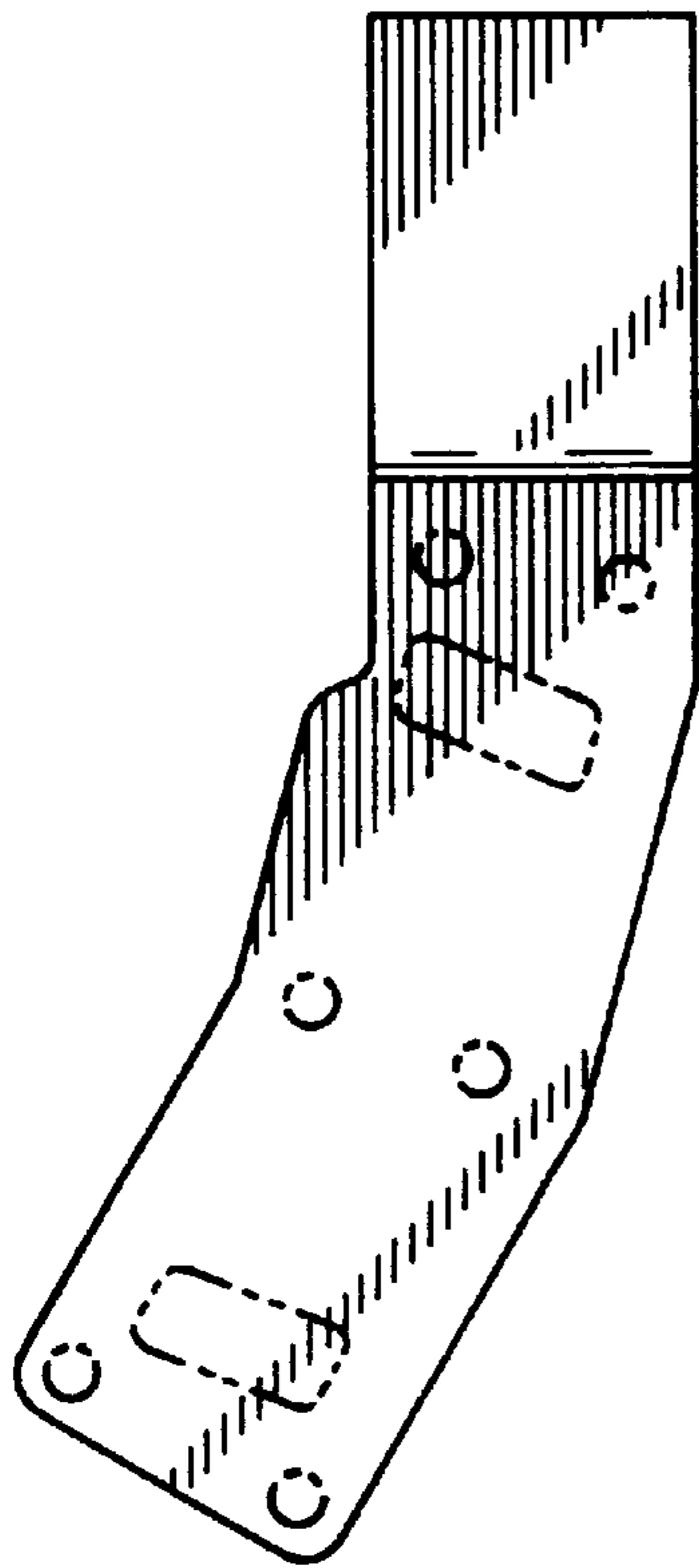


FIG. 7

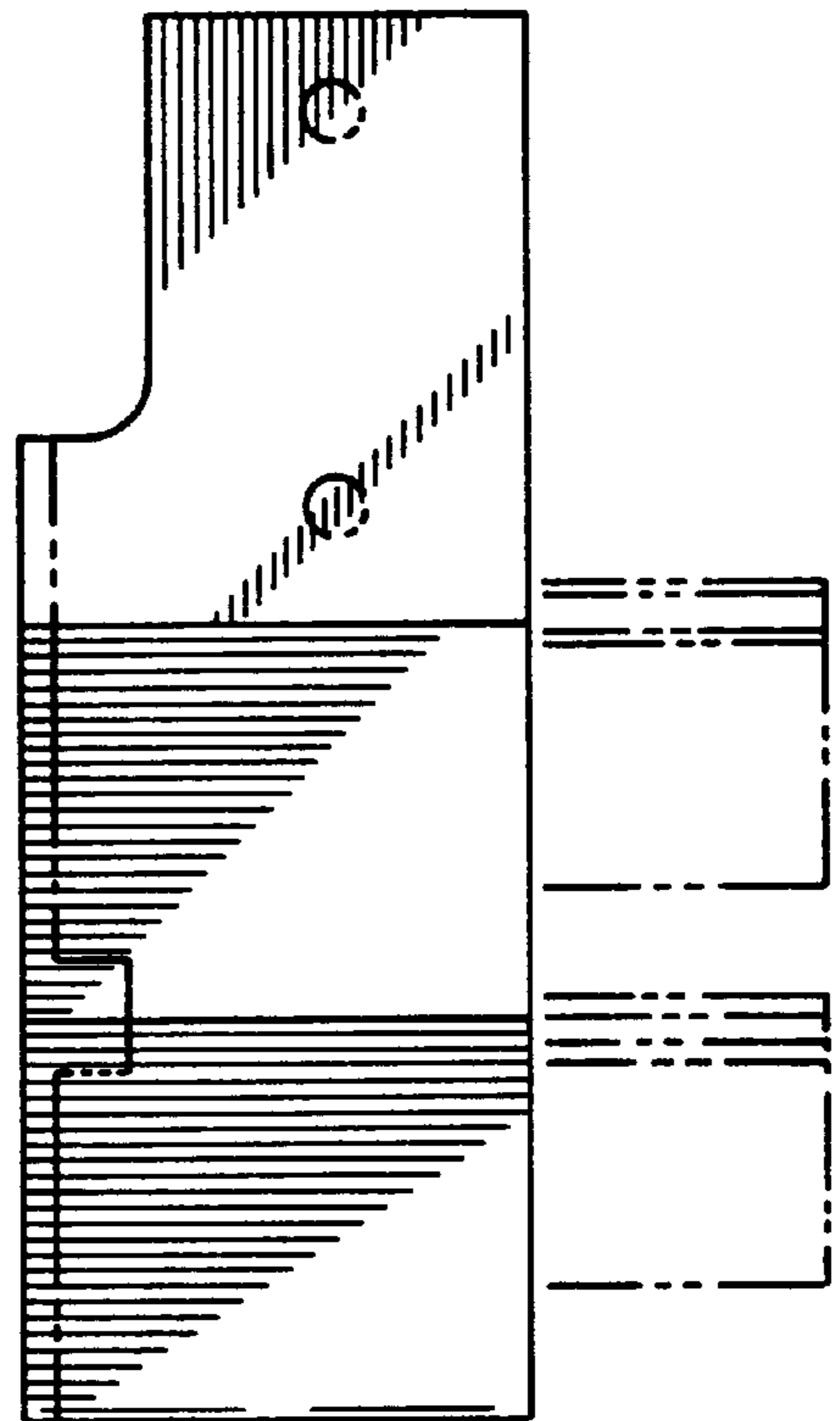


FIG. 8