



US00D417190S

United States Patent [19]
Thornton

[11] **Patent Number: Des. 417,190**

[45] **Date of Patent: ** Nov. 30, 1999**

[54] **BATTERY SIDE TERMINAL EXTENDER**

[76] Inventor: **Richard A. Thornton**, 55611 Byrd Ave., Osceola, Ind. 46561

[**] Term: **14 Years**

[21] Appl. No.: **29/086,533**

[22] Filed: **Apr. 15, 1998**

[51] **LOC (6) Cl.** **13-03**

[52] **U.S. Cl.** **D13/120**

[58] **Field of Search** D13/120; D8/387;
439/755, 756, 757, 758, 784, 957

[56] **References Cited**

U.S. PATENT DOCUMENTS

D. 35,172	10/1901	Mc Carty	D8/387
D. 259,258	5/1981	Valerio	D13/120
2,035,661	3/1936	Livingston	439/784
2,675,532	4/1954	Quick	439/756
3,230,499	1/1966	Haegert	D13/120 X
3,790,920	2/1974	Wening	439/762 X
4,673,240	6/1987	Byfield, Jr.	439/755

4,936,799	6/1990	Woodall	439/755
5,021,013	6/1991	Wiesler	439/755
5,704,248	1/1998	Knotts	74/416

Primary Examiner—Joel Sincavage
Attorney, Agent, or Firm—Leo H McCormick, Jr.

[57] **CLAIM**

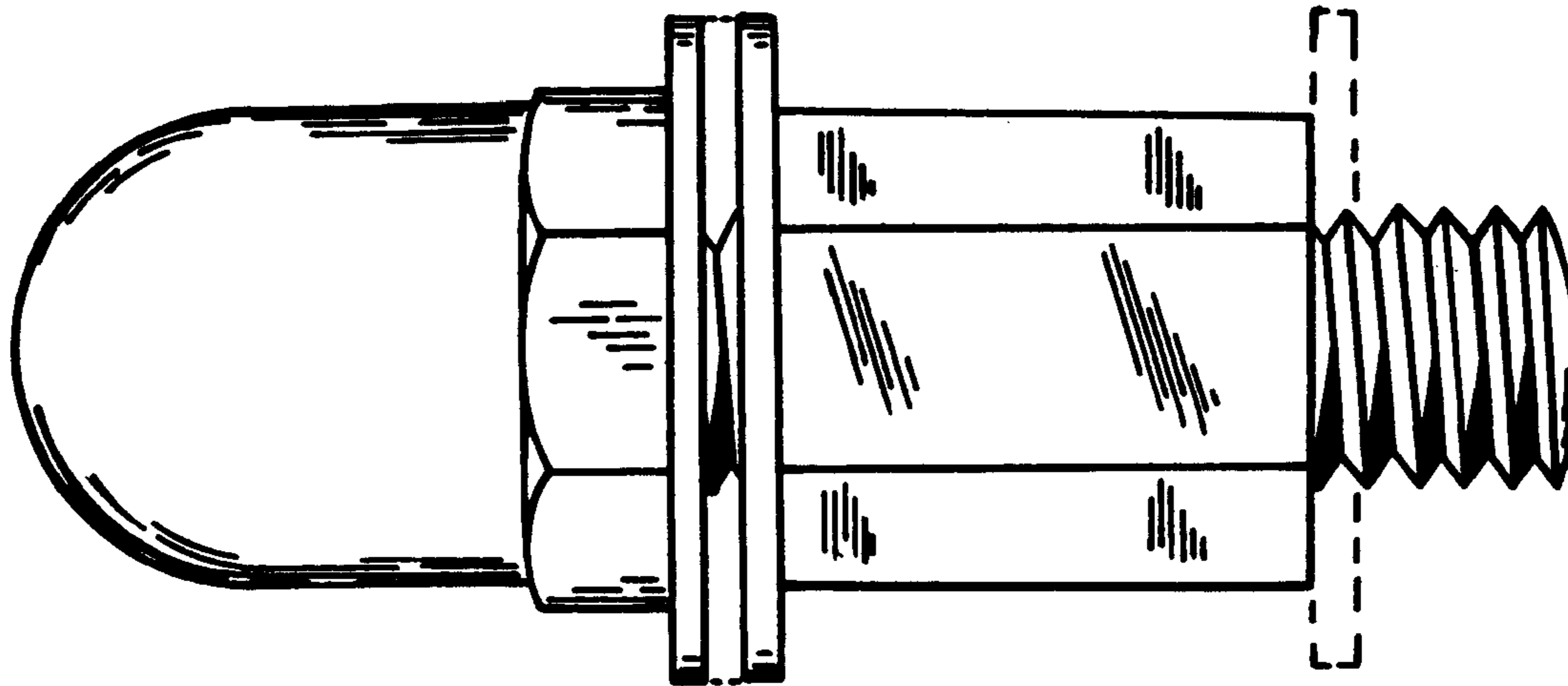
The ornamental design for a battery side terminal extender, as shown and described.

DESCRIPTION

FIG. 1 is an end view of a battery side terminal extender showing my new design; FIG. 2 is an expanded perspective view of FIG. 1 ; and, FIG. 3 is an enlarged view of the battery terminal extender of FIG. 1 .

The battery and plurality of cables with an end connector in FIGS. 1 and 2 and the end connector for the plurality of cables in FIG. 3 shown by broken lines in these figures are included to illustrate an associated environment and form no part of the claimed invention.

1 Claim, 1 Drawing Sheet



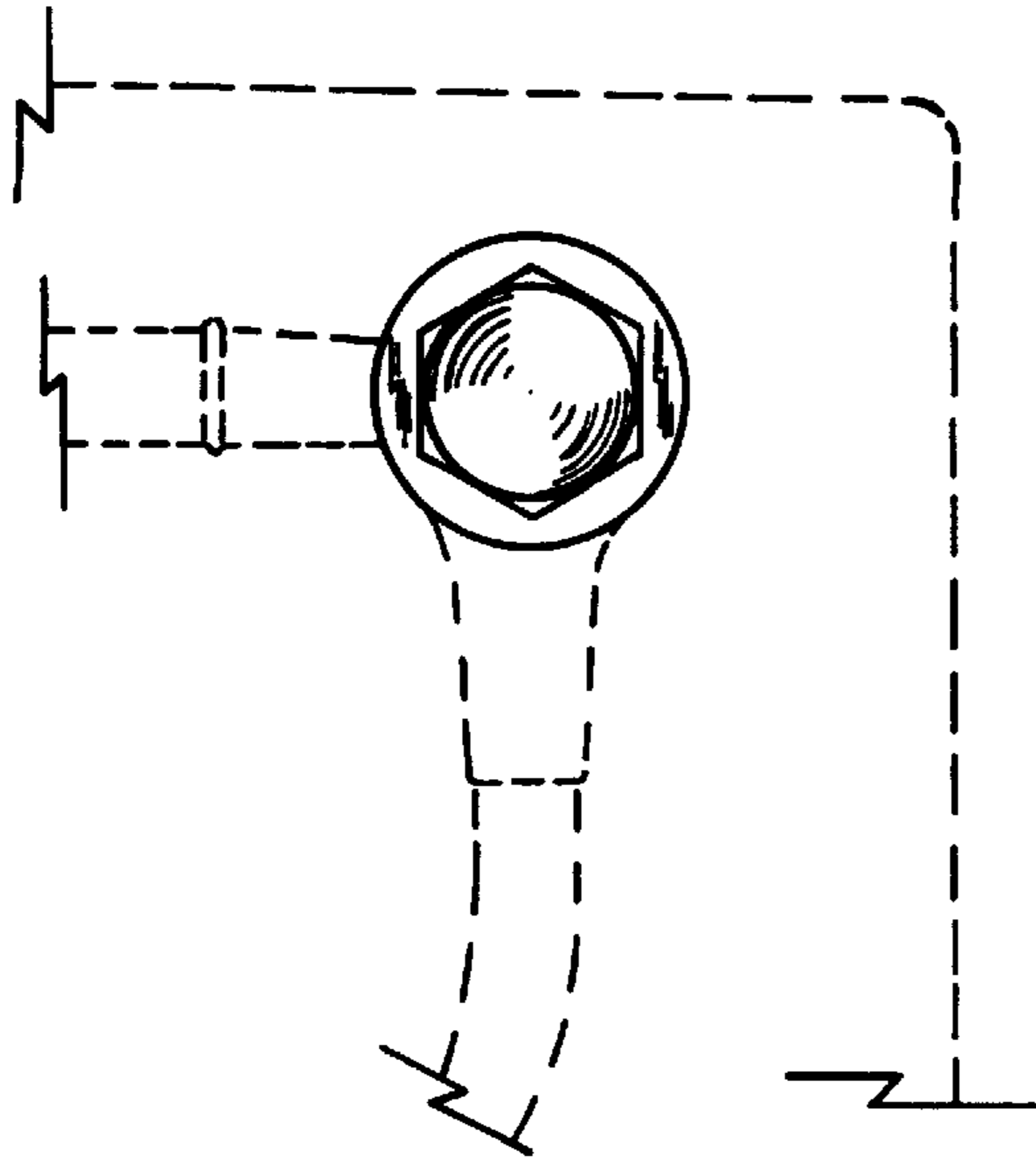


FIG. 1

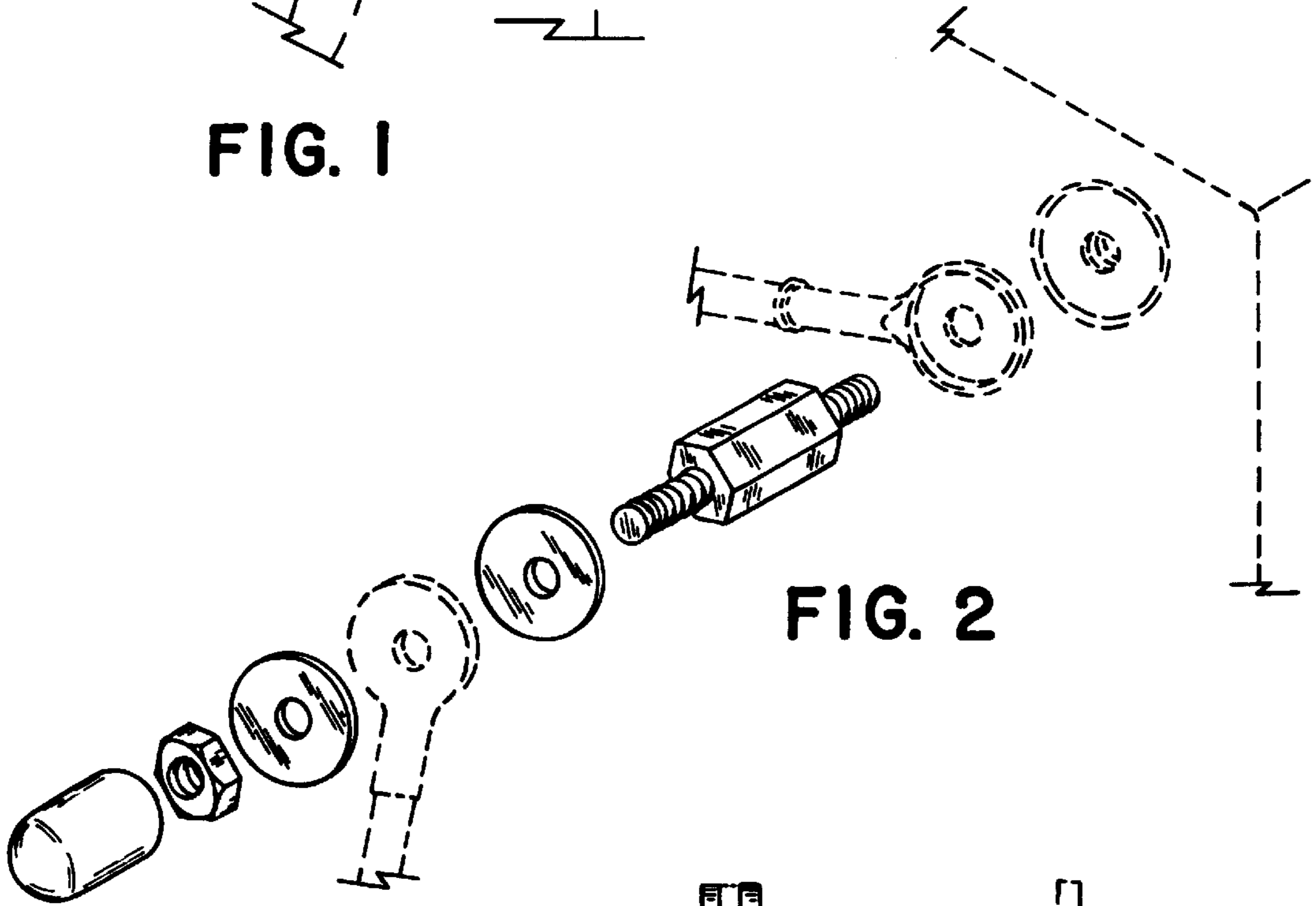


FIG. 2

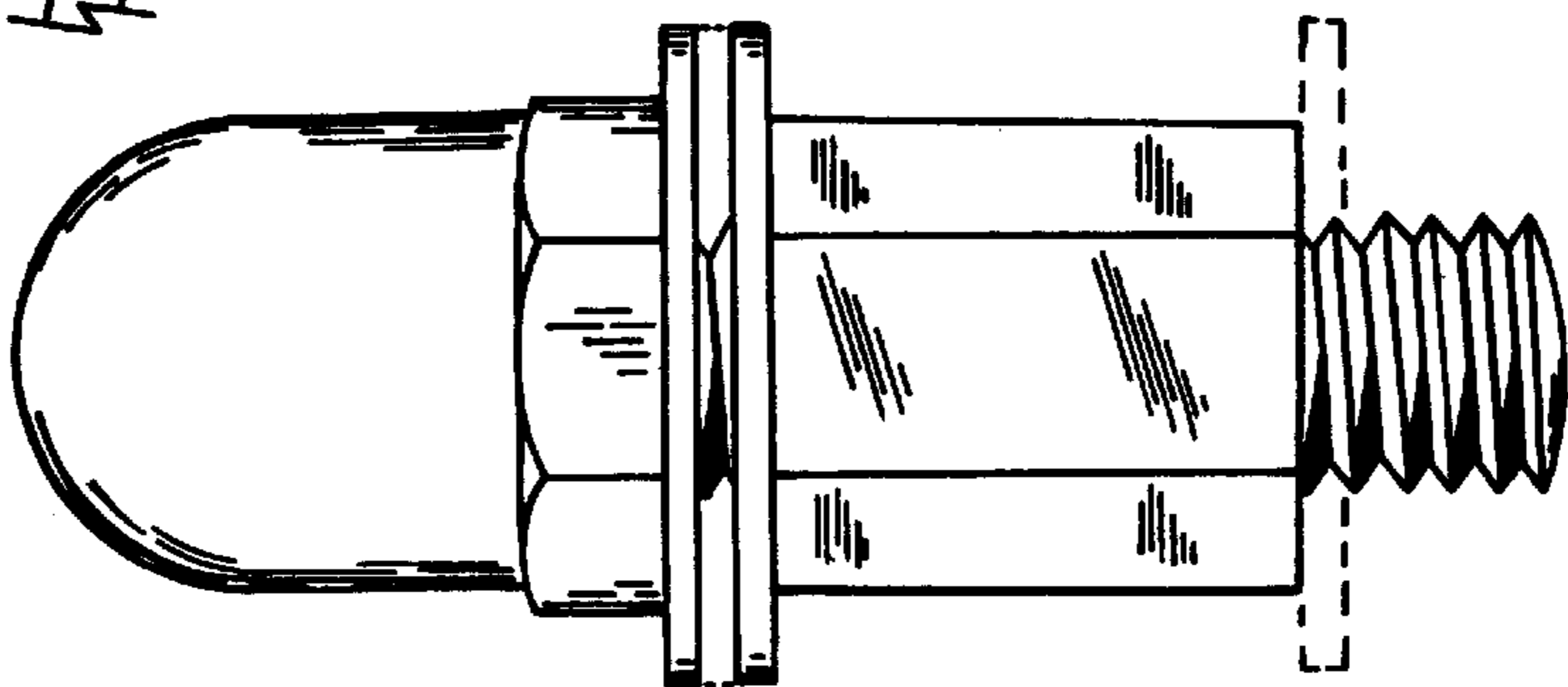


FIG. 3