



US00D417182S

United States Patent [19]
Vitoorapakorn

[11] **Patent Number: Des. 417,182**

[45] **Date of Patent: ** Nov. 30, 1999**

[54] **LINER FOR A PICKUP TRUCK BED**

[75] Inventor: **Pawat Vitoorapakorn**, Samut Prakarn, Thailand

[73] Assignee: **Aeroflex International Co., Ltd.**, Chanwat Rayong, Thailand

[**] Term: **14 Years**

[21] Appl. No.: **29/094,724**

[22] Filed: **Oct. 8, 1998**

[51] **LOC (6) Cl.** **12-06**

[52] **U.S. Cl.** **D12/221**

[58] **Field of Search** D12/221, 98; 296/39.1-39.3

[56] **References Cited**

U.S. PATENT DOCUMENTS

- D. 289,513 4/1987 Hankinson, Jr. D12/221
- D. 293,226 12/1987 Whitson D12/98
- D. 302,143 7/1989 Whitson D12/221

Primary Examiner—Melody N. Brown
Attorney, Agent, or Firm—Akin, Gump, Strauss, Hauer & Feld, L.L.P.

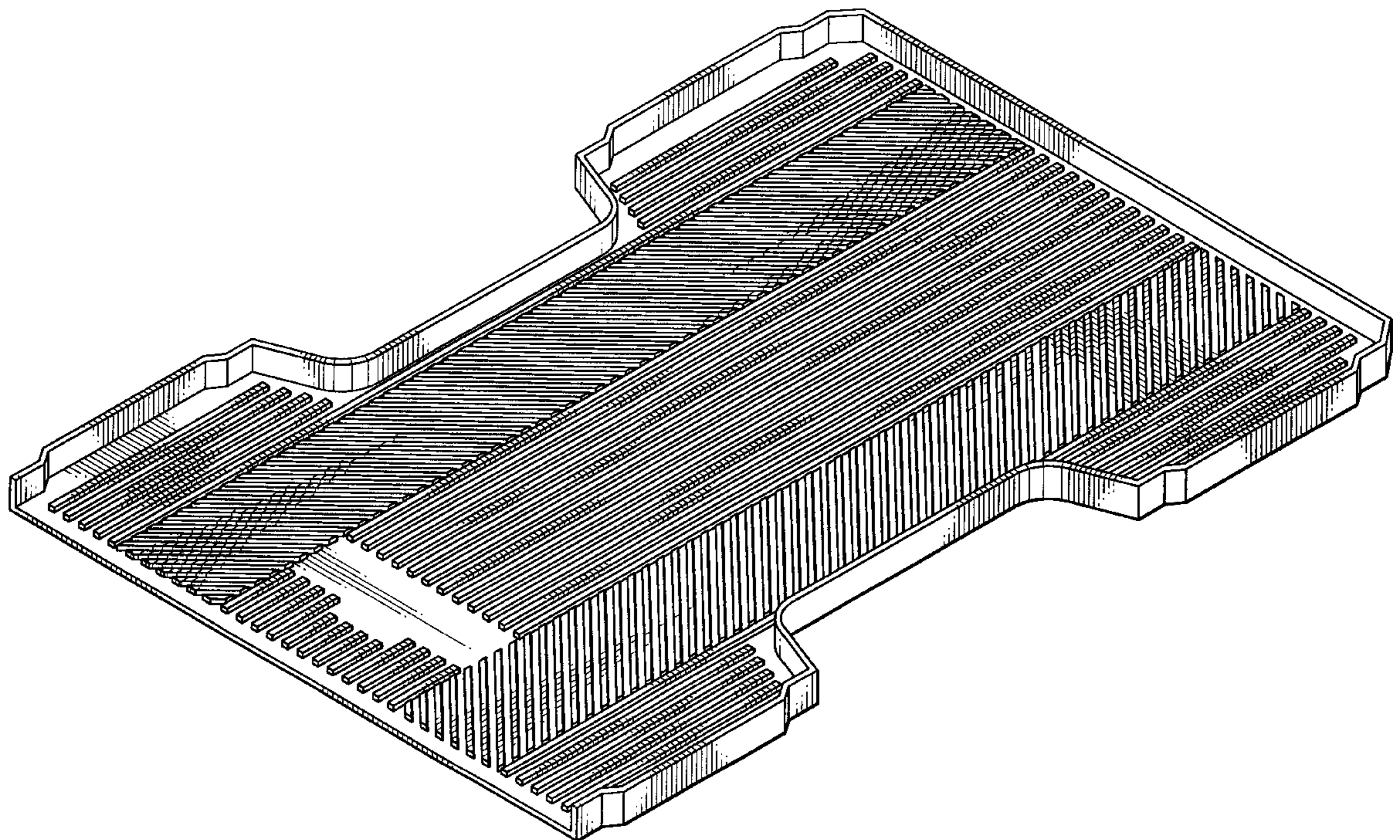
[57] **CLAIM**

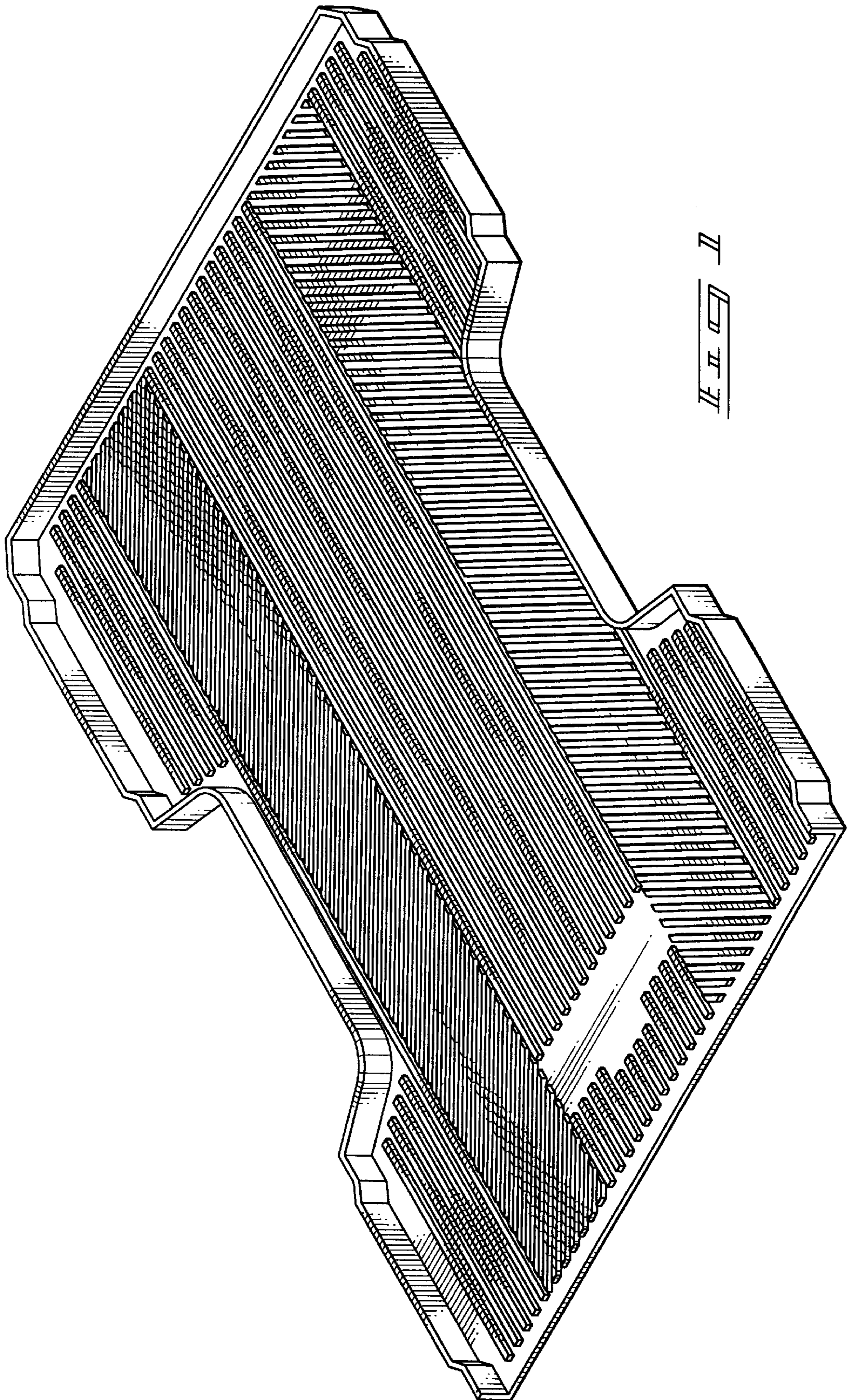
The ornamental design for a liner for a pickup truck bed, as shown and described.

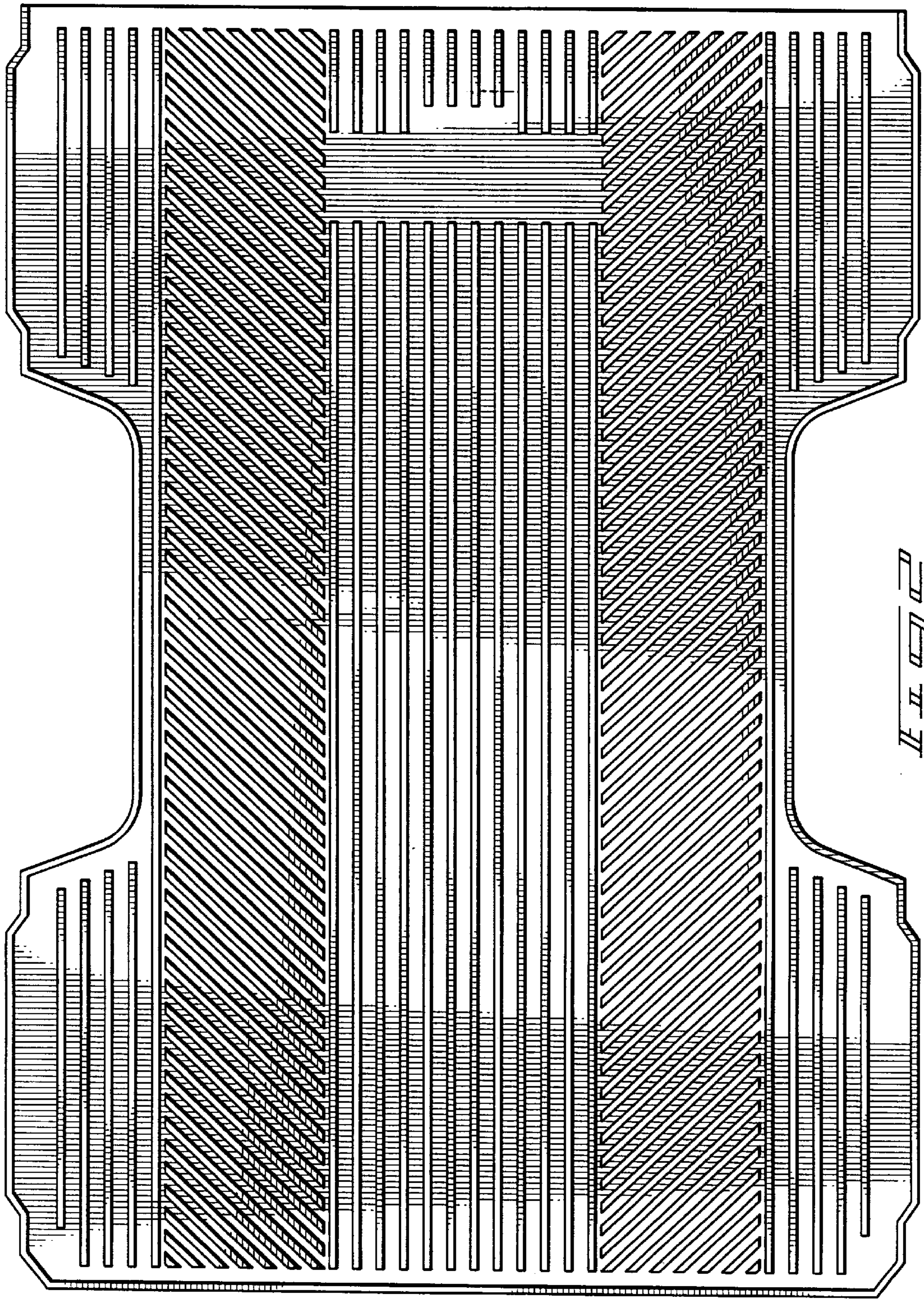
DESCRIPTION

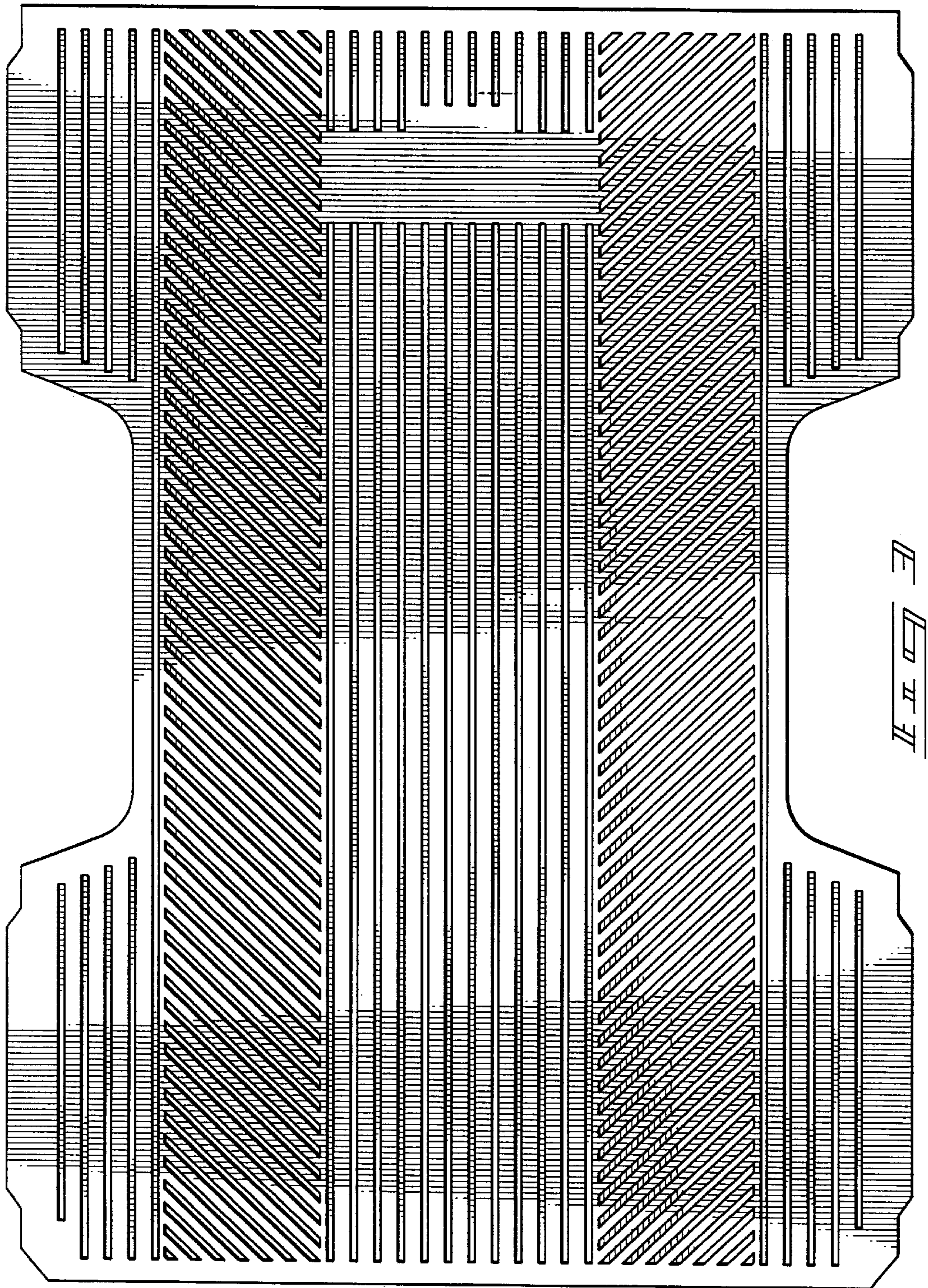
FIG. 1 is a perspective view of a liner for a pickup truck bed in accordance with my design;
FIG. 2 is a top plan view thereof;
FIG. 3 is a bottom plan view thereof;
FIG. 4 is a front perspective view thereof;
FIG. 5 is a front elevational view thereof;
FIG. 6 is a rear perspective view thereof;
FIG. 7 is a rear elevational view thereof;
FIG. 8 is a right side perspective view thereof;
FIG. 9 is a right side elevational view thereof;
FIG. 10 is a left side perspective view thereof; and,
FIG. 11 is a left side elevational view thereof.

1 Claim, 7 Drawing Sheets









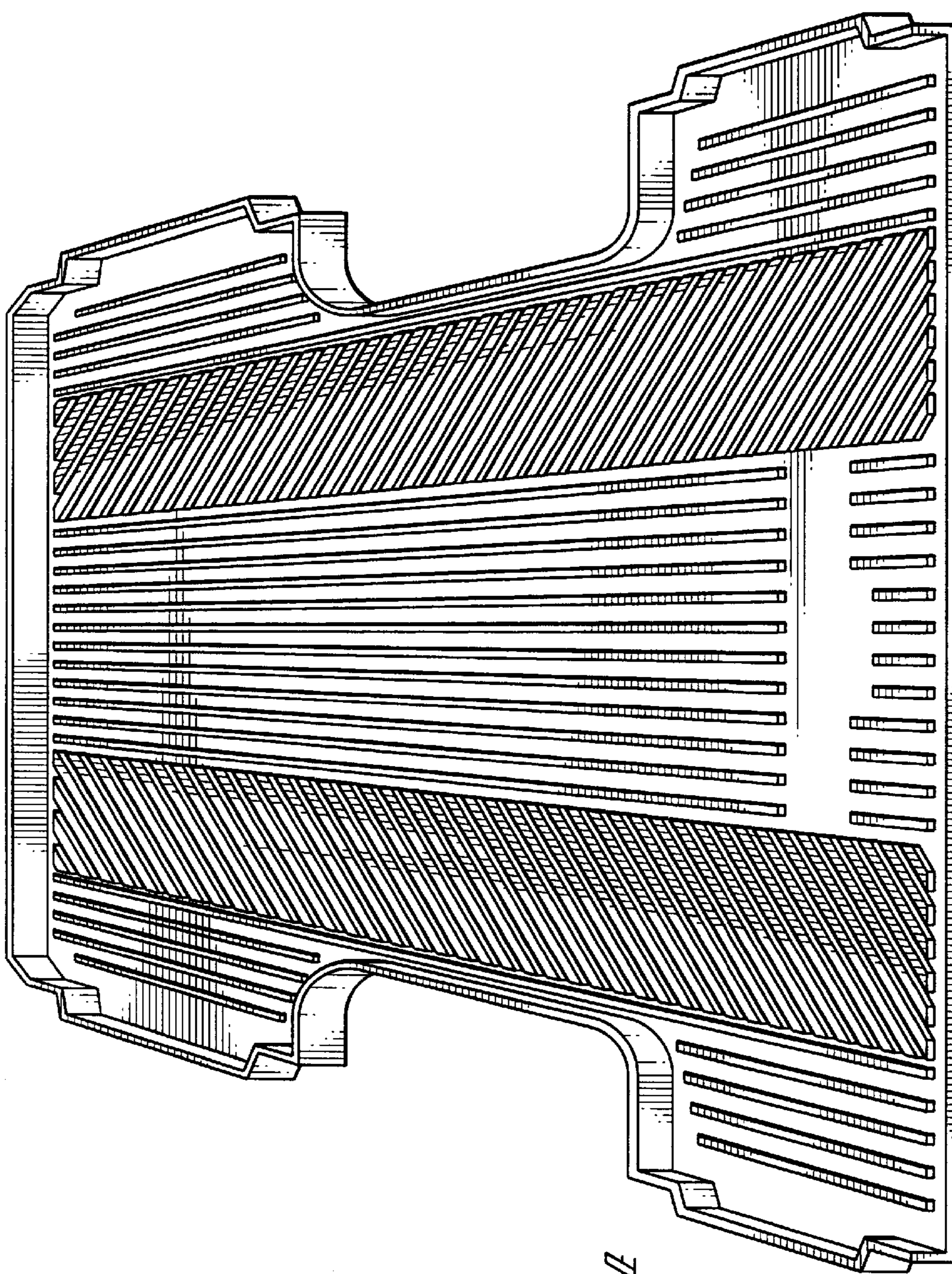
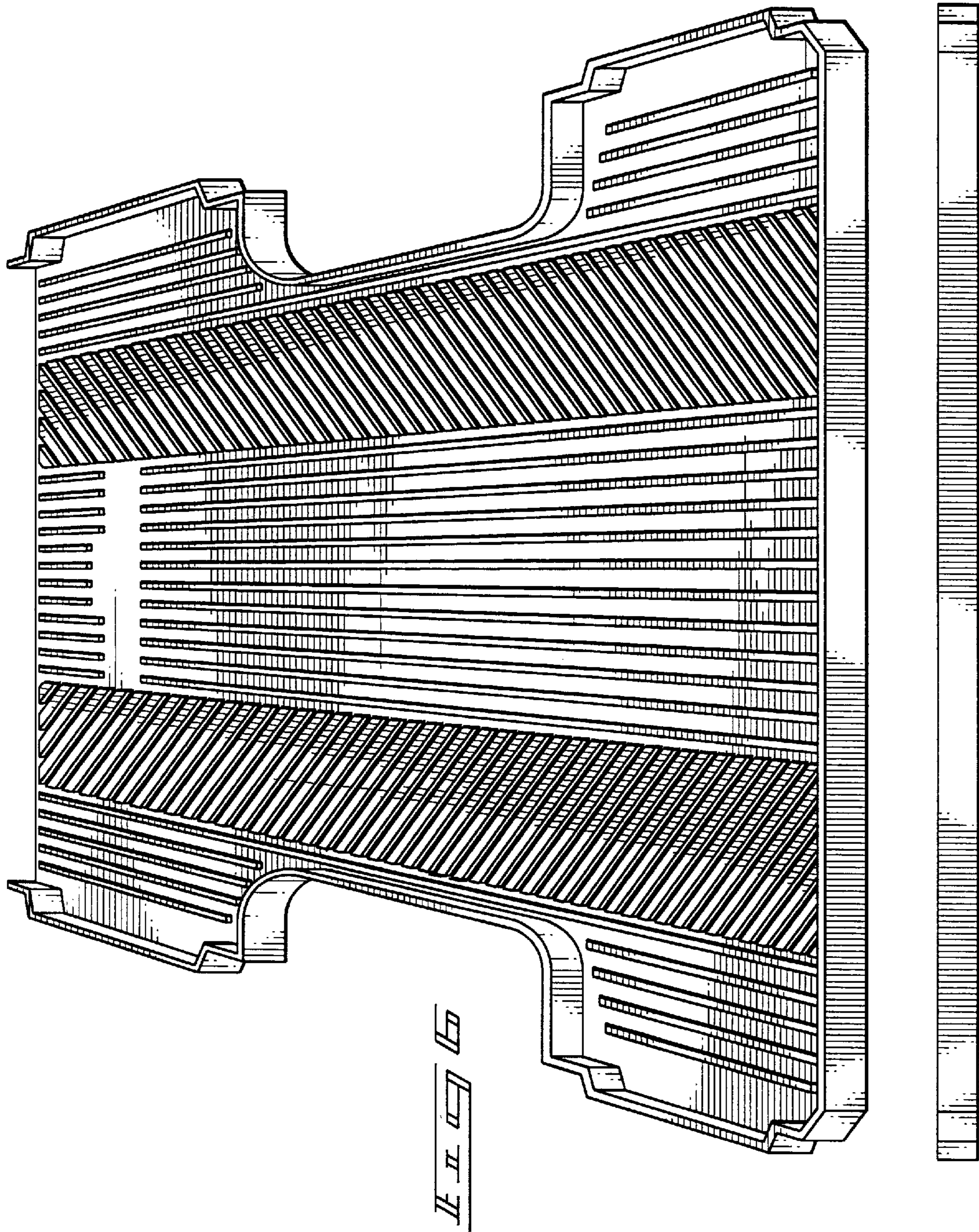
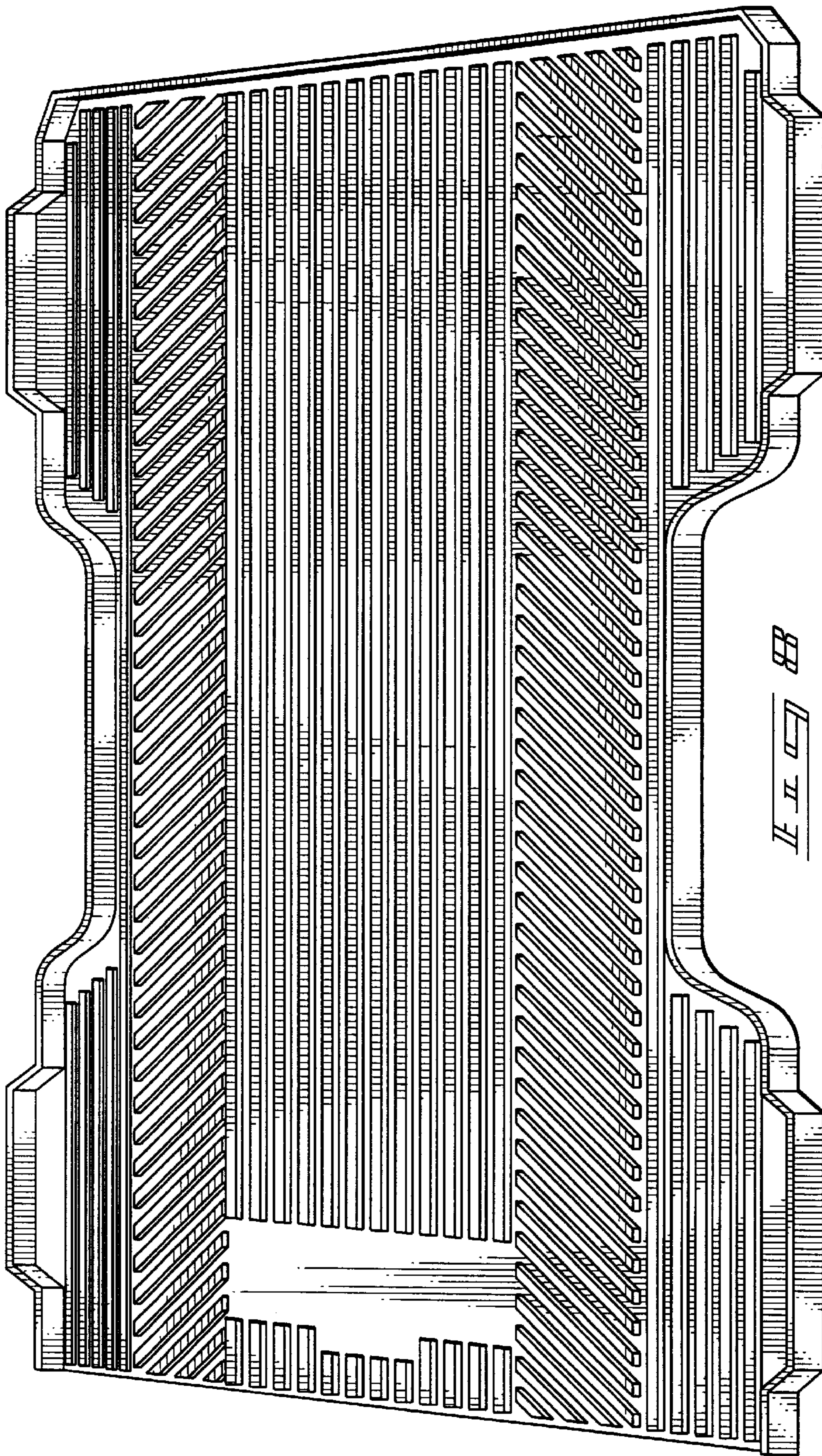


FIG. 4



FIG. 5





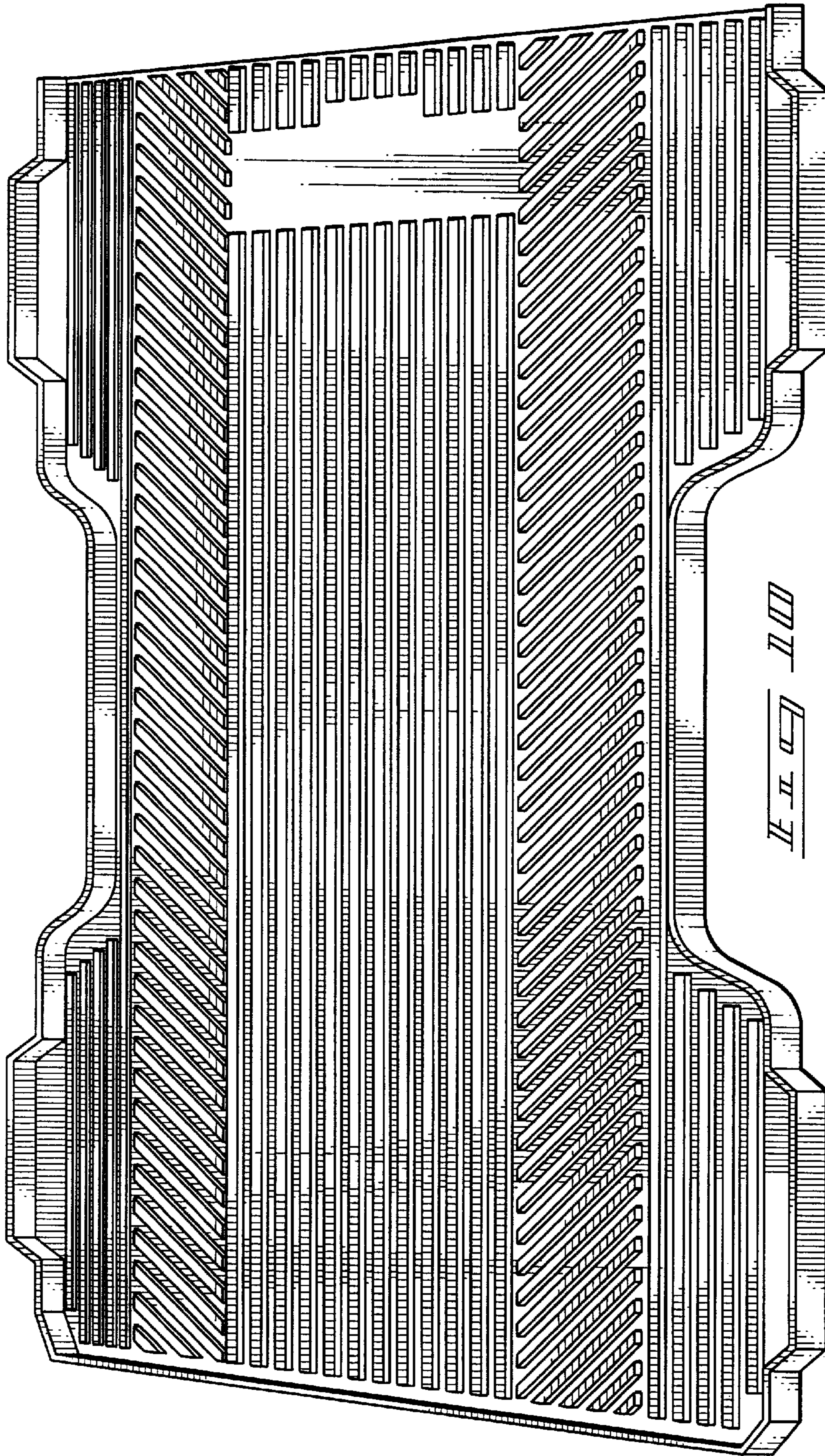


FIG. 7



FIG. 8